

NOTES:

1. INSTALLATION MUST COMPLY WITH ALL APPLICABLE NATIONAL AND LOCAL ELECTRICAL REGULATIONS.
2. PLEASE REFER TO THE PRODUCT MANUALS FOR DETAILED INFORMATION.
3. ALL DIMENSIONS ARE IN MILLIMETERS, UNLESS OTHERWISE SPECIFIED.
4. WEIGHT OF UNIT (TOTAL) = 460 kg.
5. BOTTOM CABLE ENTRY ONLY.

THIS DRAWING AND SPECIFICATIONS HEREIN ARE THE PROPERTY OF AMERICAN POWER CONVERSION AND SHALL NOT BE COPIED, REPRODUCED OR USED IN WHOLE OR IN PART, AS THE BASIS FOR THE MANUFACTURE OR SALE OF ITEMS WITHOUT WRITTEN PERMISSION FROM APC. THIS DRAWING IS BASED UPON LATEST AVAILABLE INFORMATION AND IS SUBJECT TO CHANGE WITHOUT NOTICE.



TITLE: SYMMETRA MW UPS
400V AC, 3PH, 1000KW
EXTERNAL STATIC SWITCH
BOTTOM CABLE ENTRY OPTION
MAIN MECHANICAL

PROJECT: SUBMITTAL DRAWINGS SHEET 1 OF 5

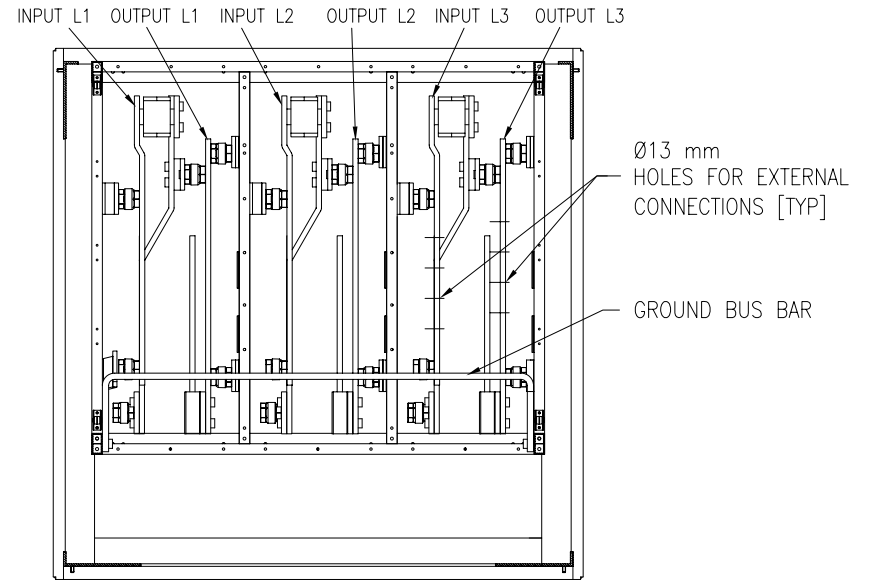
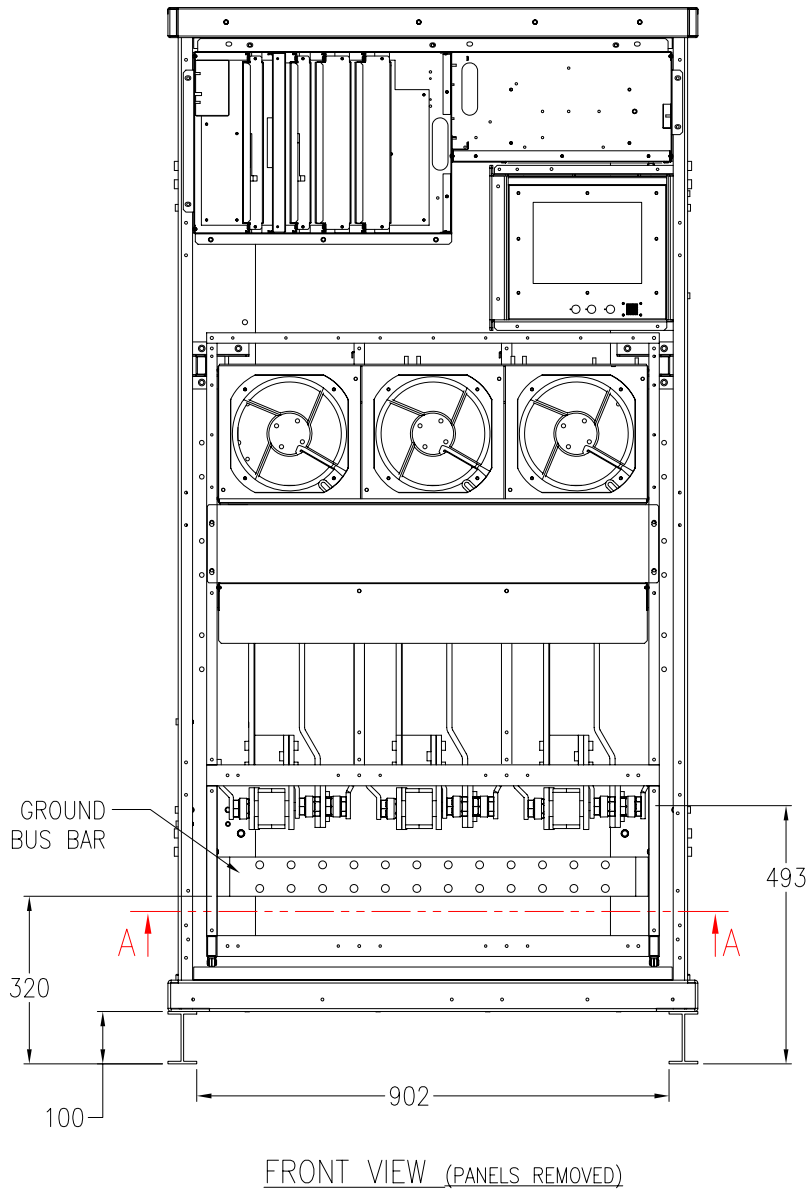
DWG NO: SYSSWB1000KH-MM REV. 4

DRAWN: JAYAPRAKASH 22-SEP-08

ENGINEER: L.DUELUND 22-SEP-08

APPROVED: C LARSEN/S WAGH 22-SEP-08

FIRST ANGLE PROJECTION



REAR

SECTION A-A
BOTTOM CABLE ENTRY DETAIL

NOTES:

1. INSTALLATION MUST COMPLY WITH ALL APPLICABLE NATIONAL AND LOCAL ELECTRICAL REGULATIONS.
2. PLEASE REFER TO THE PRODUCT MANUALS FOR DETAILED INFORMATION.
3. ALL DIMENSIONS ARE IN MILLIMETERS, UNLESS OTHERWISE SPECIFIED.
4. SOME MECHANICAL COMPONENTS HAVE BEEN OMITTED FOR THE PURPOSE OF CLARITY.

THIS DRAWING AND SPECIFICATIONS HEREIN ARE THE PROPERTY OF AMERICAN POWER CONVERSION AND SHALL NOT BE COPIED, REPRODUCED OR USED IN WHOLE OR IN PART, AS THE BASIS FOR THE MANUFACTURE OR SALE OF ITEMS WITHOUT WRITTEN PERMISSION FROM APC. THIS DRAWING IS BASED UPON LATEST AVAILABLE INFORMATION AND IS SUBJECT TO CHANGE WITHOUT NOTICE.



TITLE: SYMMETRA MW UPS
400V AC, 3PH, 1000KW
EXTERNAL STATIC SWITCH
BOTTOM CABLE ENTRY OPTION
INTERNAL VIEW & SECTION VIEW

PROJECT: SUBMITTAL DRAWINGS SHEET 2 OF 5

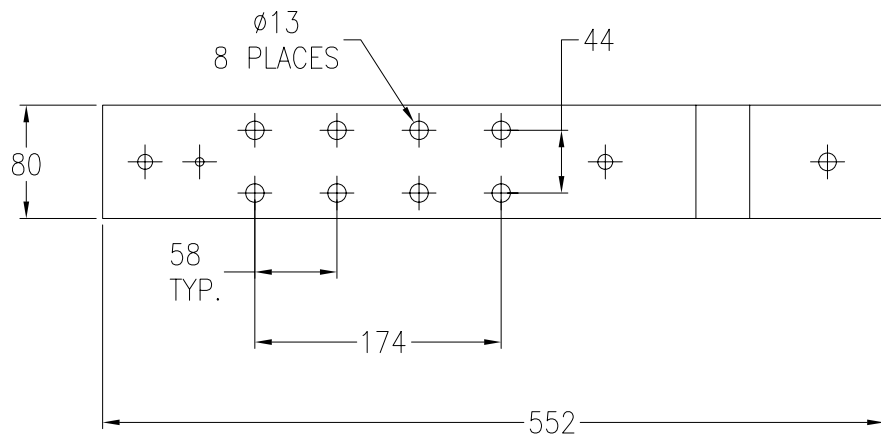
DWG NO: SYSSWB1000KH-ME1 REV. 3

DRAWN: JAYAPRAKASH 22-SEP-08

ENGINEER: L.DUELUND 22-SEP-08

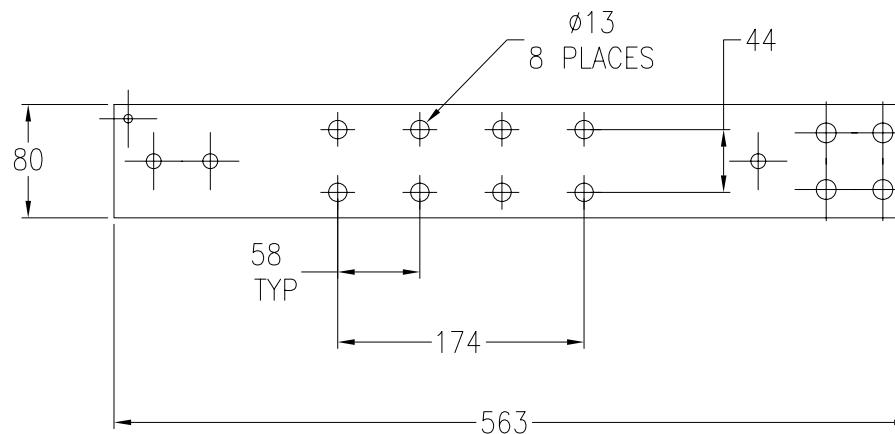
APPROVED: C LARSEN/S WAGH 22-SEP-08

FIRST ANGLE PROJECTION



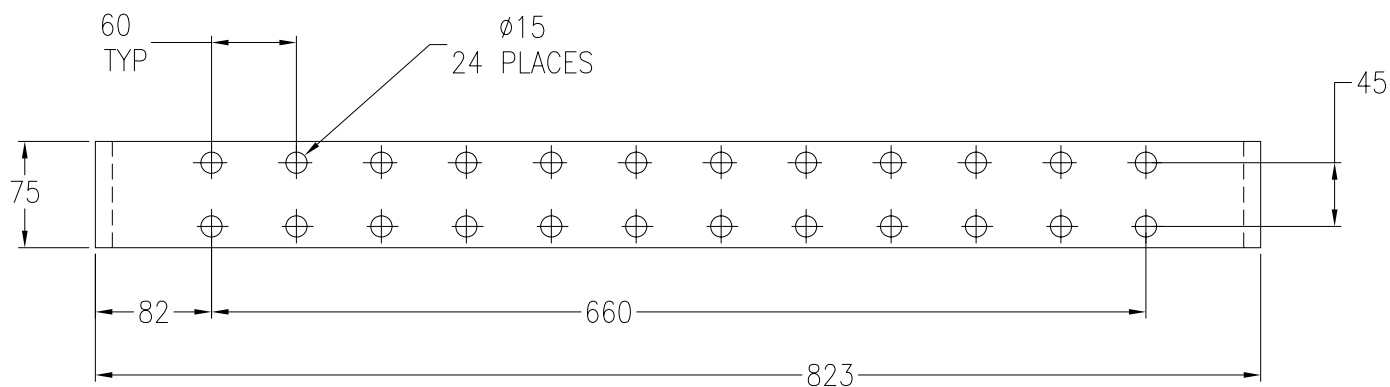
INPUT BUS DETAILS

Thickness-10mm



OUTPUT BUS BAR DETAIL

Thickness-10mm



GROUND BUSBAR DETAIL

Thickness-12mm

NOTES:

1. INSTALLATION MUST COMPLY WITH ALL APPLICABLE NATIONAL AND LOCAL ELECTRICAL REGULATIONS.
2. ALL DIMENSIONS ARE IN MILLIMETERS, UNLESS OTHERWISE SPECIFIED.

THIS DRAWING AND SPECIFICATIONS HEREIN ARE THE PROPERTY OF AMERICAN POWER CONVERSION AND SHALL NOT BE COPIED, REPRODUCED OR USED IN WHOLE OR IN PART, AS THE BASIS FOR THE MANUFACTURE OR SALE OF ITEMS WITHOUT WRITTEN PERMISSION FROM APC. THIS DRAWING IS BASED UPON LATEST AVAILABLE INFORMATION AND IS SUBJECT TO CHANGE WITHOUT NOTICE.



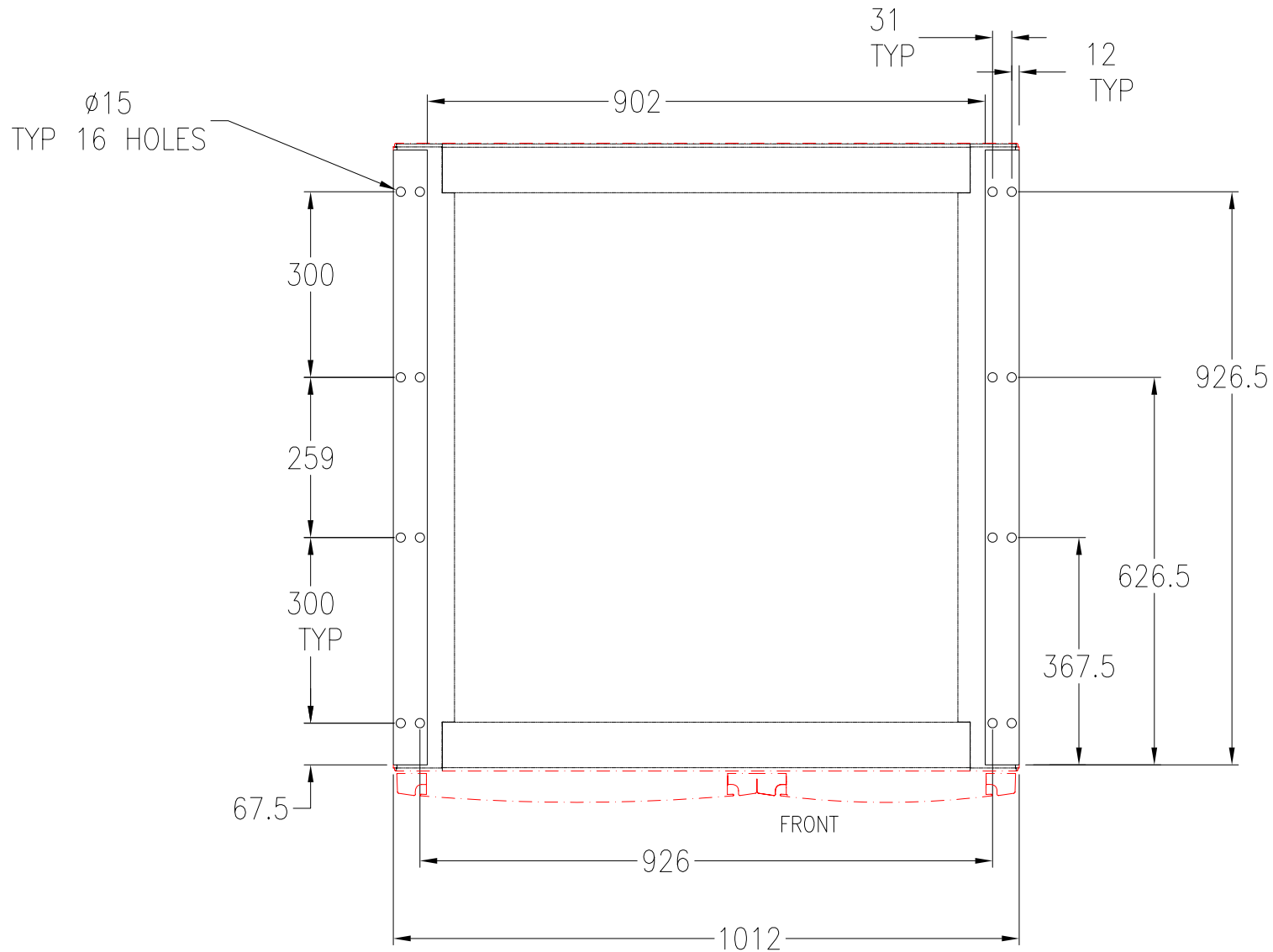
TITLE: SYMMETRA MW UPS
400V AC, 3PH, 1000KW
EXTERNAL STATIC SWITCH
BOTTOM CABLE ENTRY OPTION
BUSBAR DETAILS

PROJECT: SUBMITTAL DRAWINGS SHEET 3 OF 5

DWG NO: SYSSWB1000KH-ME2

DRAWN: JAYAPRAKASH	22-SEP-08
ENGINEER: L.DUELUND	22-SEP-08
APPROVED: C LARSEN/S WAGH	22-SEP-08

REV. 1
FIRST ANGLE PROJECTION



FLOOR ANCHORING DETAILS

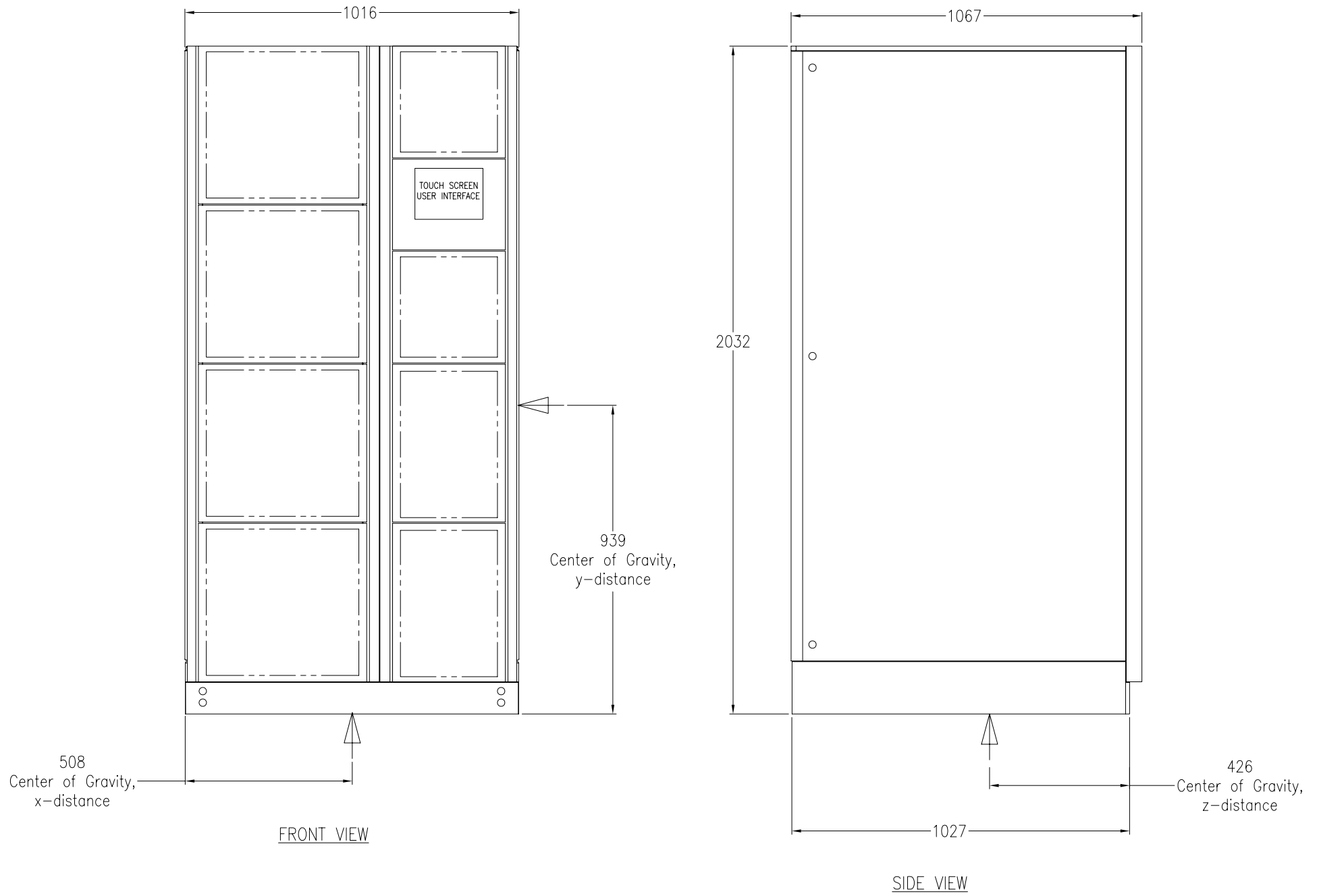
NOTES:

1. INSTALLATION MUST COMPLY WITH ALL APPLICABLE NATIONAL AND LOCAL ELECTRICAL REGULATIONS.
2. PLEASE REFER TO THE PRODUCT MANUALS FOR FLOOR ANCHORING PROCEDURE.
3. ALL DIMENSIONS ARE IN MILLIMETERS, UNLESS OTHERWISE SPECIFIED.
4. SOME STRUCTURAL DETAILS HAVE BEEN OMITTED FOR THE PURPOSE OF CLARITY.

THIS DRAWING AND SPECIFICATIONS HEREIN ARE THE PROPERTY OF AMERICAN POWER CONVERSION AND SHALL NOT BE COPIED, REPRODUCED OR USED IN WHOLE OR IN PART, AS THE BASIS FOR THE MANUFACTURE OR SALE OF ITEMS WITHOUT WRITTEN PERMISSION FROM APC. THIS DRAWING IS BASED UPON LATEST AVAILABLE INFORMATION AND IS SUBJECT TO CHANGE WITHOUT NOTICE.



TITLE:	SYMMETRA MW UPS 400V AC, 3PH, 1000KW EXTERNAL STATIC SWITCH BOTTOM CABLE ENTRY OPTION FLOOR ANCHORING	DWG NO:	SYSSWB1000KH-FA	REV.	4
DRAWN:	JAYAPRAKASH		22-SEP-08	FIRST	
ENGINEER:	L.DUELUND		22-SEP-08	ANGLE	
PROJECT:	SUBMITTAL DRAWINGS	SHEET	4 OF 5	APPROVED:	C. LARSEN/S. WAGH
					PROJECTION



NOTES:

1. INSTALLATION MUST COMPLY WITH ALL APPLICABLE NATIONAL AND LOCAL ELECTRICAL REGULATIONS.
2. PLEASE REFER TO THE PRODUCT MANUALS FOR DETAILED INFORMATION.
3. ALL DIMENSIONS ARE IN MILLIMETERS, UNLESS OTHERWISE SPECIFIED.

THIS DRAWING AND SPECIFICATIONS HEREIN ARE THE PROPERTY OF AMERICAN POWER CONVERSION AND SHALL NOT BE COPIED, REPRODUCED OR USED IN WHOLE OR IN PART, AS THE BASIS FOR THE MANUFACTURE OR SALE OF ITEMS WITHOUT WRITTEN PERMISSION FROM APC. THIS DRAWING IS BASED UPON LATEST AVAILABLE INFORMATION AND IS SUBJECT TO CHANGE WITHOUT NOTICE.



TITLE: SYMMETRA MW UPS
400V AC, 3PH, 1000KW
EXTERNAL STATIC SWITCH
BOTTOM CABLE ENTRY OPTION
CENTER OF GRAVITY

DWG NO: SYSSWB1000KH-CG REV. 5

DRAWN: JAYAPRAKASH 22-SEP-08
ENGINEER: L.DUELUND 22-SEP-08

PROJECT: SUBMITTAL DRAWINGS SHEET 5 OF 5

APPROVED: C LARSEN/S WAGH 22-SEP-08

FIRST ANGLE PROJECTION