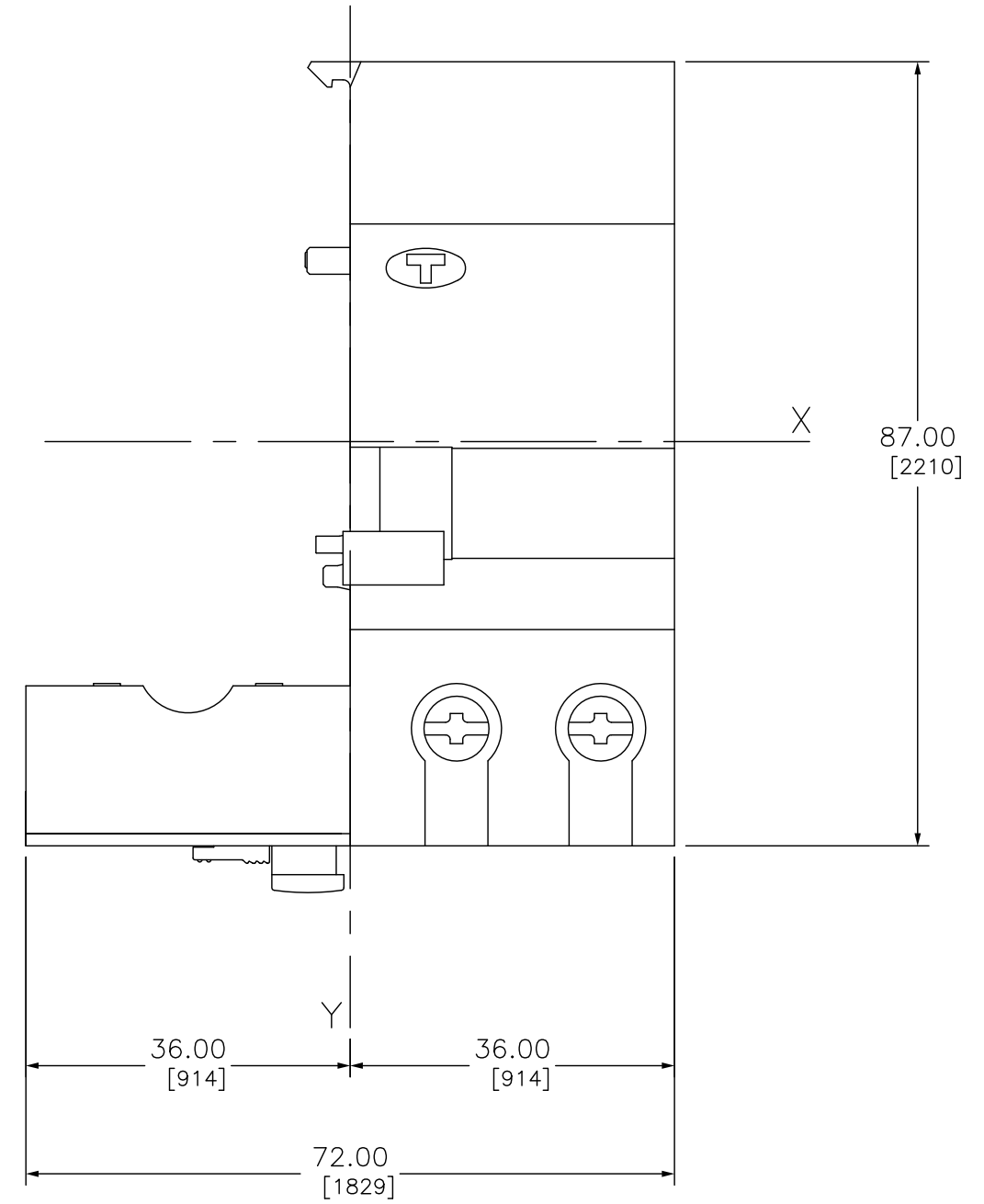


FRONT



RIGHT

DUAL DIMENSIONS: INCHES
MILLIMETERS

CB ACCESSORY, GROUND FAULT MODULE



DWG# M9V11263
NO.