

D

C

B

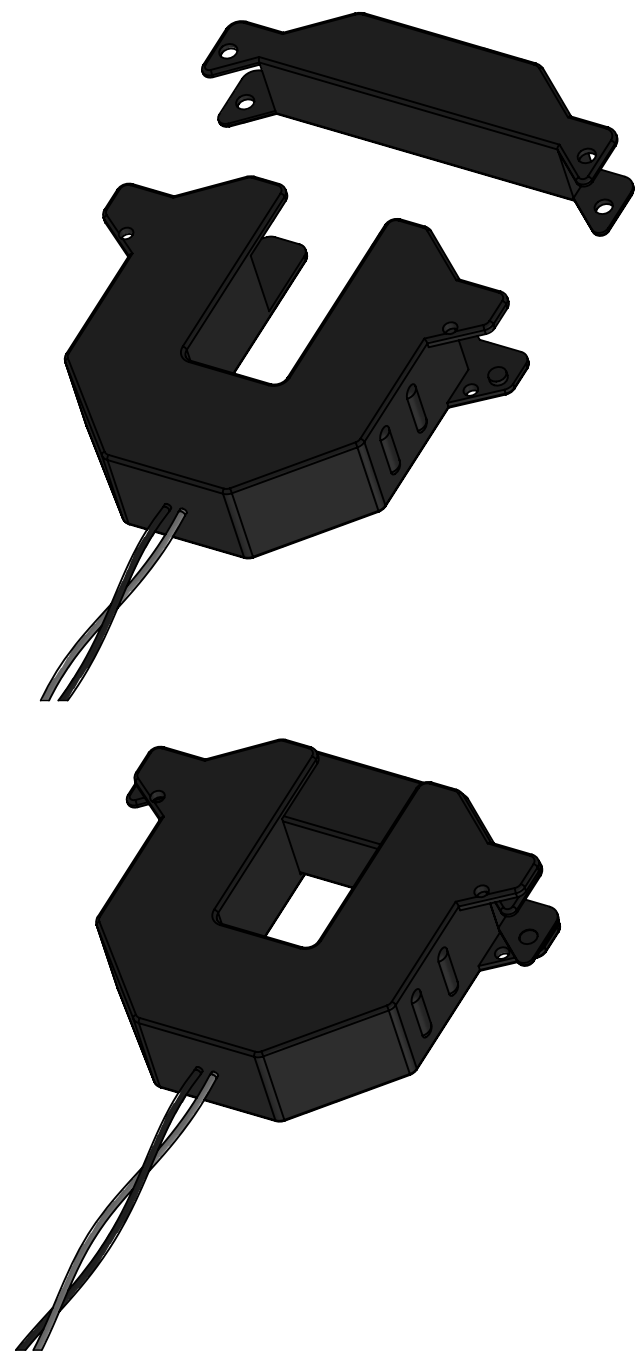
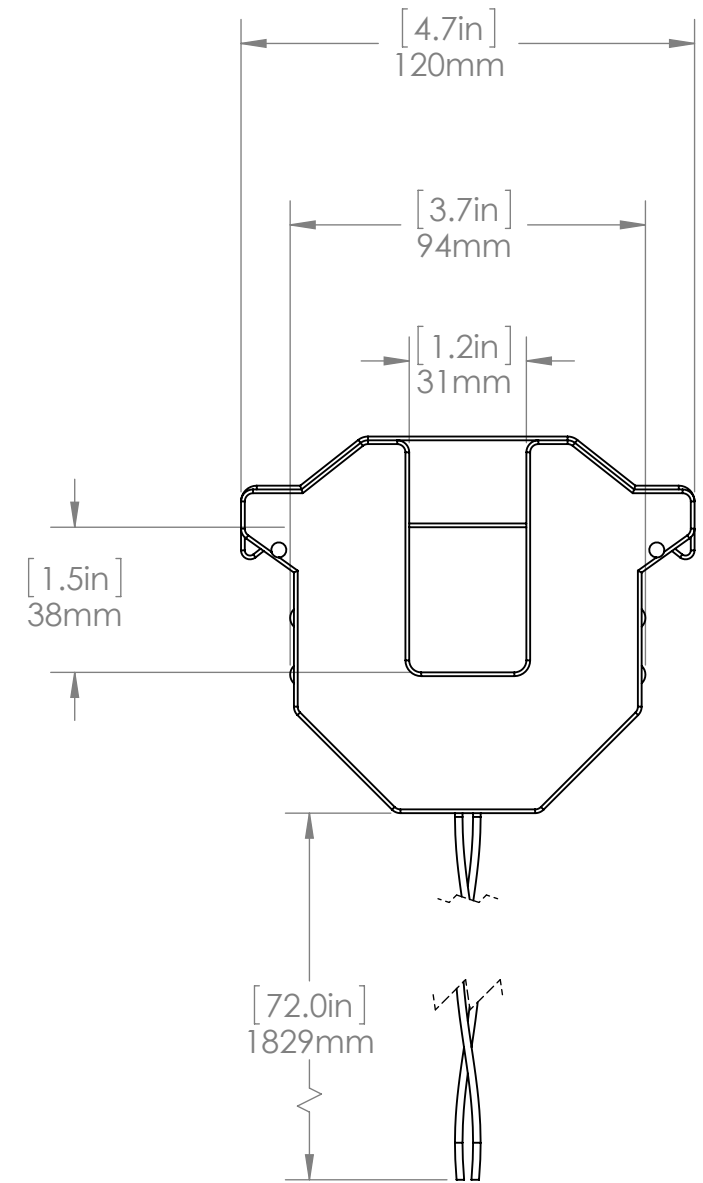
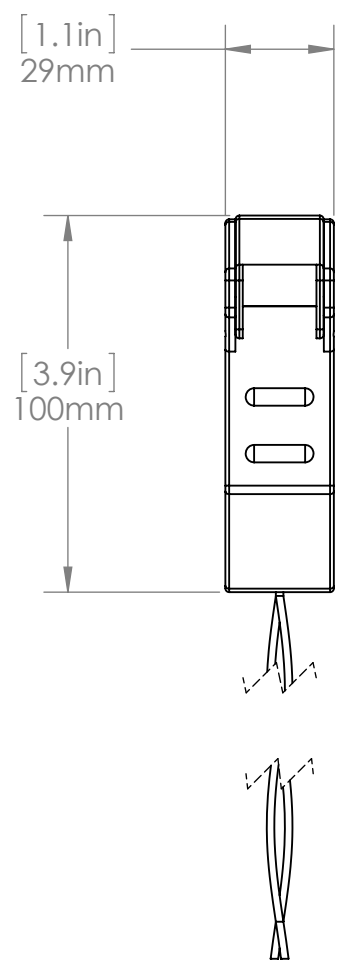
A

D

C

B

A



PART FILE NAME	PART REV.
H681xSCCTSm_3D_0A	A

PROPRIETARY AND CONFIDENTIAL
 THE INFORMATION CONTAINED IN THIS DRAWING IS THE SOLE PROPERTY OF VERIS. ANY REPRODUCTION IN PART OR AS A WHOLE WITHOUT THE WRITTEN PERMISSION OF VERIS IS PROHIBITED.

UNLESS OTHERWISE SPECIFIED:		
DIMENSIONS ARE IN INCHES AND MILLIMETERS [MM], TOLERANCES:		
INCHES	MILLIMETERS	
.X : ±0.1	[X.X] : [±0.8]	
.XX : ±0.01	[X.XX] : [±0.08]	
.XXX : ±0.005		
ANGULAR:		
MACHINE: ±0.5°, BEND: ±1.0°		
GEOMETRIC TOLERANCING PER:	ASME-Y14.5-94	
MATERIAL:		
DO NOT TO SCALE		
DESIGNER	DATE	NAME
DRAWN	10/31/11	J. DORRANCE
CHECKED	10/31/11	J. DORRANCE
ENG APPR.	MM/DD/YY	N/A
MFG APPR.	MM/DD/YY	N/A
Q.A.	MM/DD/YY	N/A

Schneider Electric
 16640 SW 72nd Ave. Portland, OR 97224

TITLE:
 LVCTSC 100A or 200A or 300A (Small)

SIZE	DWG. NO.	REV
B	LVCTSCSm_2D_0A	A

SCALE: 1:20 WEIGHT: SHEET 1 OF 1