

50/60 HZ AC3 DUTY

CATALOG	SINGLE PHASE		THREE PHASE			
	115V	230V	200V	230V	460V	575V
D09	0.5 HP	1 HP	2 HP	2 HP	5 HP	7.5 HP
D12	1 HP	2 HP	3 HP	3 HP	7.5 HP	10 HP
D18	1 HP	3 HP	5 HP	5 HP	10 HP	15 HP

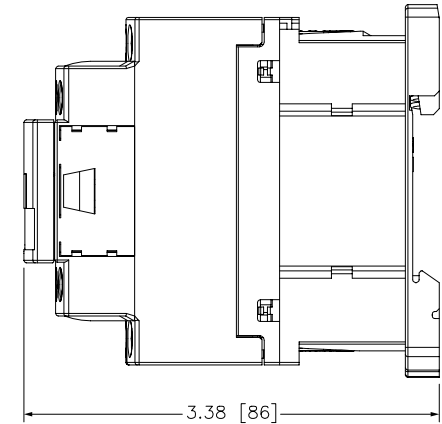
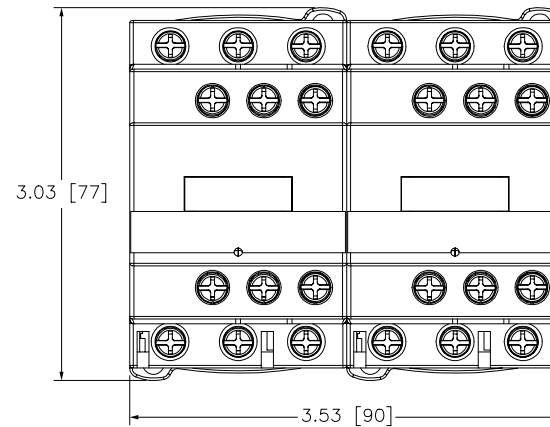
COIL VOLTAGES FOR LC2 D09 TO D80

VOLTS	50/60 HZ CODE (1)	STD. DC (1)	LOW CONSUMPTION DC (1) *
12	-	JD	-
24	B7	BD	BL
48	E7	ED	EL
72	-	SD	SL
110	F7	FD	-
125	-	GD	-
115	FE7	-	-
120	G7	-	-
220	M7	MD	-
230	P7	-	-
240	U7	-	-
250	-	UD	-
380	Q7	-	-
400	V7	-	-
415	N7	-	-
440	R7	RD	-

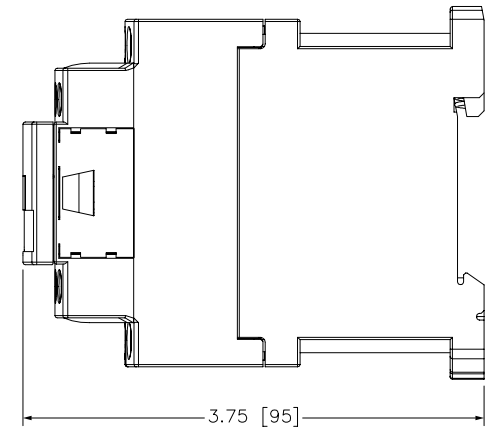
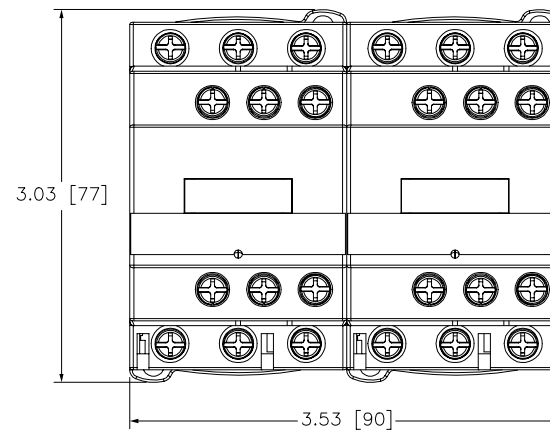
\* AVAILABLE IN UP TO 32A MAX

Catalog Number: LC2 D09(1), LC2 D12(1), LC2 D18(1)  
 Ratings: LC2 D09-600V/9A, LC2 D12-600V/12A, LC2 D18-600V/18A  
 UL File/CCN: E48539/NLDX  
 CSA File/Class: LR43364/3211 04  
 Meets Standards: IEC 60947-4  
 Weight: .7kg  
 Wire Size: Power #10-#18 / Control #10-#18  
 Termination Method: Screw Clamp  
 Terminal torque: 7 LB-IN  
 Mounting Hwd.: 35mm DIN rail, #8 screws

CONTACTOR WITH AC COIL



CONTACTOR WITH DC COIL



"THE SQUARE D COMPANY HAS PROPRIETARY RIGHTS TO THE INFORMATION CONTAINED HEREON. THIS INFORMATION REMAINS THE PROPERTY OF SQUARE D COMPANY AND MAY BE USED ONLY IN CONFORMANCE WITH INSTRUCTIONS ISSUED BY SQUARE D COMPANY. USER SHOULD VERIFY DRAWINGS ARE TO THE LATEST/CURRENT REVISION PRIOR TO INCORPORATING IN A DESIGN FILE."

**DO NOT SCALE DRAWING**  
 UNLESS OTHERWISE SPECIFIED DIMENSIONS ARE IN INCHES

THIRD ANGLE PROJECTION  
 TOLERANCES  
 UNLESS OTHERWISE SPECIFIED  
 2 PLACE DECIMALS ± .01

IEC CONTACTOR  
 LC2 D09(1), LC2 D12(1), LC2 D18(1)

**SQUARE D COMPANY**

DWG# LC2D09\_12\_18\_0\_OD  
 NO.