

50/60 HZ AC3 DUTY

CATALOG	SINGLE PHASE		THREE PHASE			
	115V	230V	200V	230V	460V	575V
D25	2 HP	3 HP	7.5 HP	7.5 HP	15 HP	20 HP
D32	2 HP	5 HP	10 HP	10 HP	20 HP	30 HP

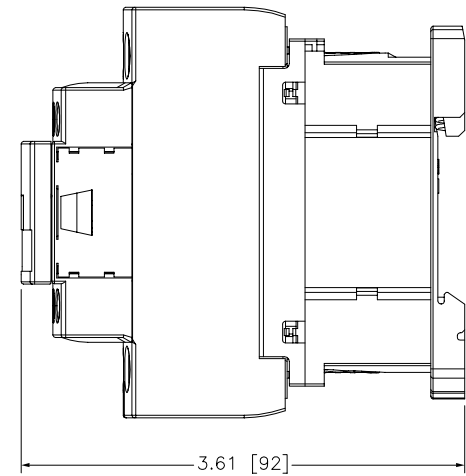
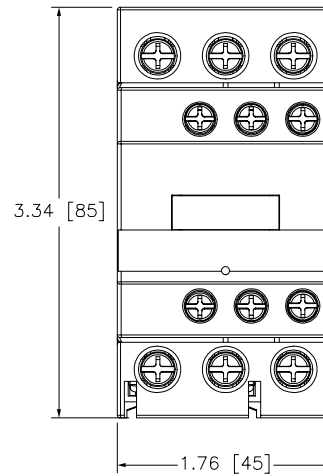
COIL VOLTAGES FOR LC1 D09 TO D80

VOLTS	50/60 HZ CODE (1)	STD. DC (1)	LOW CONSUMPTION DC (1) *
12	-	JD	-
24	B7	BD	BL
48	E7	ED	EL
72	-	SD	SL
110	F7	FD	-
125	-	GD	-
115	FE7	-	-
120	G7	-	-
220	M7	MD	-
230	P7	-	-
240	U7	-	-
250	-	UD	-
380	Q7	-	-
400	V7	-	-
415	N7	-	-
440	R7	RD	-

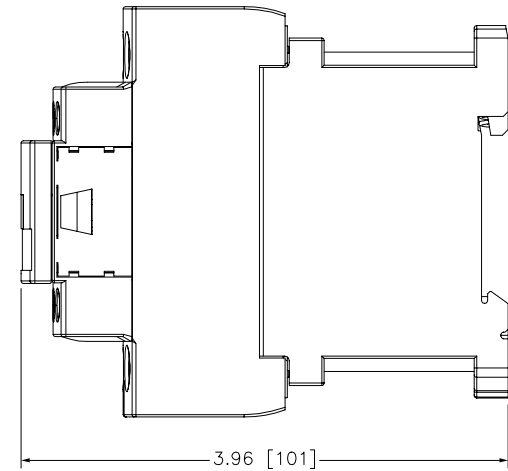
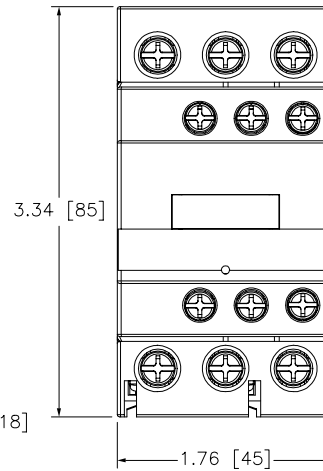
* AVAILABLE IN UP TO 32A MAX

Catalog Number: LC1 D25(1), LC1 D32(1)
 Ratings: LC1 D25-600V/25A, LC1 D32-600V/32A
 UL File/CCN: E48539/NLDX
 CSA File/Class: LR43364/3211 04
 Meets Standards: IEC 60947-4
 Weight: .505kg
 Wire Size: [LC1 D25 Power #8-#18/Control #10-#18] [LC1 D32 Power #6-#14/Control #10-#18]
 Termination Method: Screw Clamp
 Terminal torque: [LC1 D25-15 LB-IN] [LC1 D32-20 LB-IN]
 Mounting Hwd.: 35mm DIN rail, #8 screws

CONTACTOR WITH AC COIL

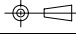


CONTACTOR WITH DC COIL



"THE SQUARE D COMPANY HAS PROPRIETARY RIGHTS TO THE INFORMATION CONTAINED HEREON. THIS INFORMATION REMAINS THE PROPERTY OF SQUARE D COMPANY AND MAY BE USED ONLY IN CONFORMANCE WITH INSTRUCTIONS ISSUED BY SQUARE D COMPANY. USER SHOULD VERIFY DRAWINGS ARE TO THE LATEST/CURRENT REVISION PRIOR TO INCORPORATING IN A DESIGN FILE."

DO NOT SCALE DRAWING
UNLESS OTHERWISE SPECIFIED DIMENSIONS ARE IN INCHES

THIRD ANGLE PROJECTION 

TOLERANCES
UNLESS OTHERWISE SPECIFIED
2 PLACE DECIMALS ± .01

IEC CONTACTOR
LC1 D25(1), LC1 D32(1)

 **SQUARE D COMPANY**

DWG# LC1D25_32_0_OD
NO.