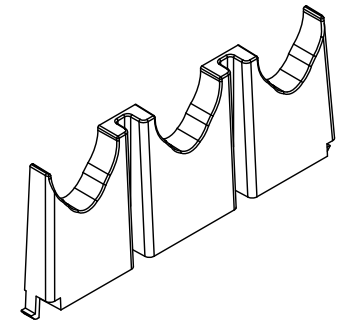
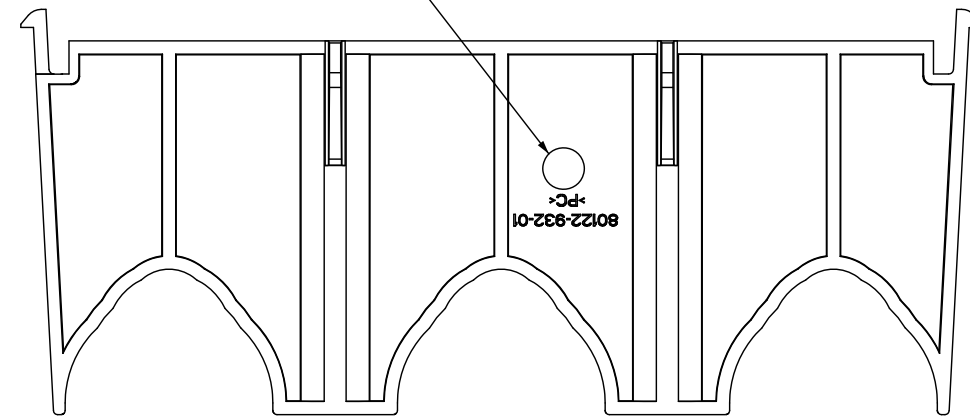
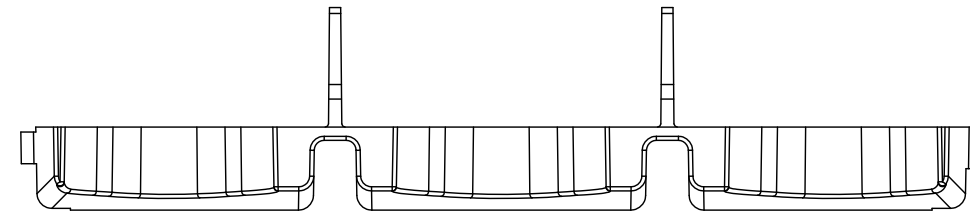


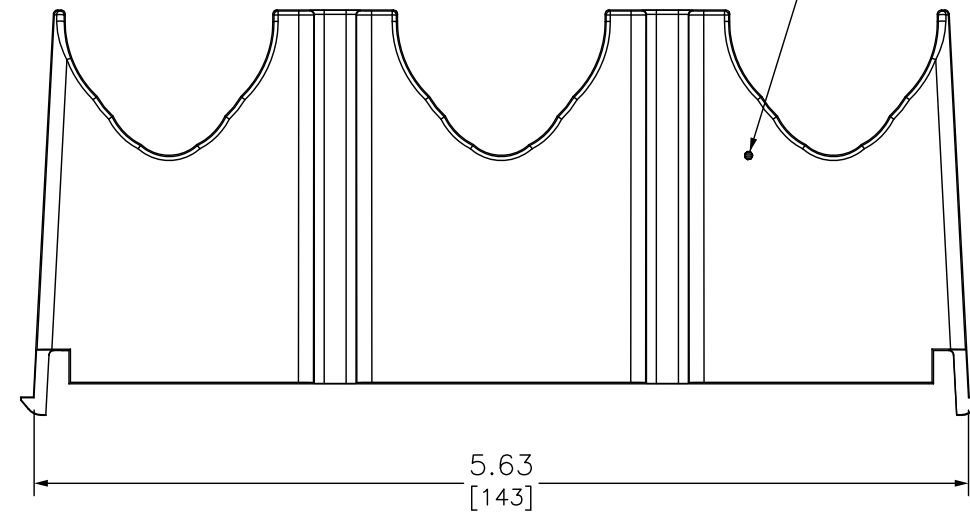
DATE CODE LOCATION



SCALE .35



SP1 B3
(COVER & CAVITY)



DUAL DIMENSIONS: INCHES
MILLIMETERS

NQ IP2X L BKR LINE SIDE BARRIER



DWG# LALLC Line Side Barrier
NO.