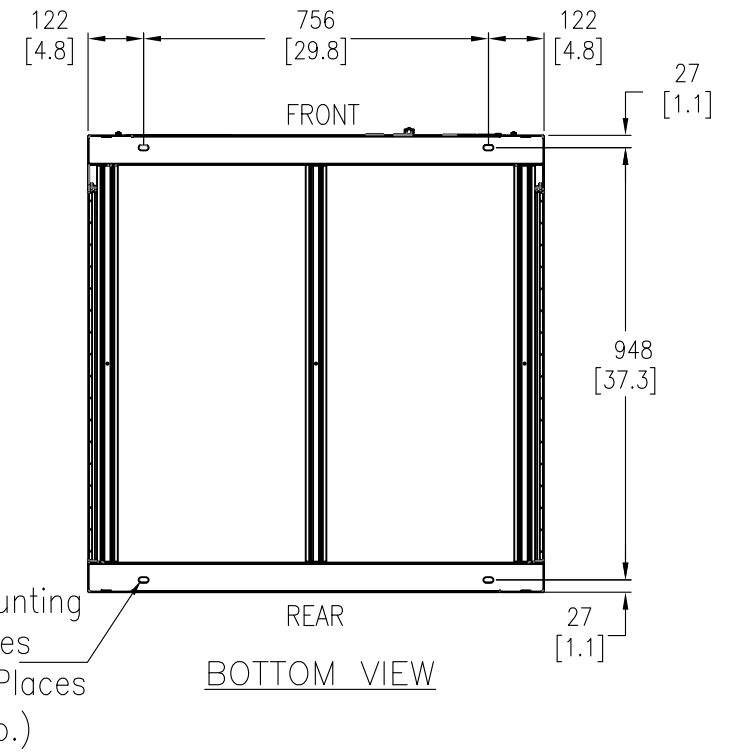


SKU	Unit Dimensions – mm [in.]			Net Weight kg [lb]
	A	B	C	
ACCU30301	1000 [39.4]	1000 [39.4]	1555 [61.2]	267 [588.6]
ACCU30302	1000 [39.4]	1000 [39.4]	1555 [61.2]	272 [600]
ACCU30001	1000 [39.4]	1000 [39.4]	1555 [63.0]	267 [588.6]
ACCU30002	1000 [39.4]	1000 [39.4]	1555 [63.0]	272 [600]
ACCU30201	1000 [39.4]	1000 [39.4]	1555 [61.2]	273 [601.9]
ACCU30202	1000 [39.4]	1000 [39.4]	1555 [61.2]	278 [612.9]
ACCU30101	1000 [39.4]	1000 [39.4]	1555 [61.2]	267 [588.6]
ACCU30102	1000 [39.4]	1000 [39.4]	1555 [61.2]	272 [600]



- NOTES:
1. INSTALLATION SHALL COMPLY WITH ALL APPLICABLE NATIONAL, STATE AND LOCAL ELECTRICAL REGULATIONS.
 2. PLEASE REFER TO PRODUCT MANUALS FOR ADDITIONAL DETAILS PRIOR TO INSTALLATION AND SITE PREPARATION WORK.
 3. UNLESS OTHERWISE SPECIFIED, ALL DIMENSIONS ARE IN MILLIMETERS [INCHES].
 4. A MINIMUM OF 1000 mm [39.4"] OF CLEAR SPACE ON ALL SIDES OF THE EQUIPMENT IS RECOMMENDED FOR SERVICE ACCESS

THIS DRAWING AND SPECIFICATIONS HEREIN ARE THE PROPERTY OF SCHNEIDER ELECTRIC AND SHALL NOT BE COPIED, REPRODUCED OR USED IN WHOLE OR IN PART, AS THE BASIS FOR THE MANUFACTURE OR SALE OF ITEMS WITHOUT WRITTEN PERMISSION FROM SCHNEIDER ELECTRIC. THIS DRAWING IS BASED UPON LATEST AVAILABLE INFORMATION AND IS SUBJECT TO CHANGE WITHOUT NOTICE.



TITLE:	ACCU30000 SERIES CONDENSER MECHANICAL DRAWING	DWG NO:	ACCU30000	REV.	0
PROJECT:	SUBMITTAL DRAWINGS	ENGINEER:	RAAM C	DATE:	20-AUG-19
	SHEET 1 OF 2	APPROVED:	RAAM C	DATE:	20-AUG-19
					FIRST ANGLE PROJECTION

Air System—Fan	
Fan Type	EC
Size – mm (in.)	710 (28.0)
Number of Fans	1
Cooling Coil	3.024 (32.55)
Face Area – m ² (ft ²)	3
Rows Deep	
Connection Sizes (Not Piping Sizes)	7/8 in. ODF
Gas Piping	1/2 in. ODF
Liquid Piping	
Refrigerant Piping*	120 (393)
Maximum Equivalent Length – m (ft)	30 (98)
Maximum Elevation** – m (ft)	

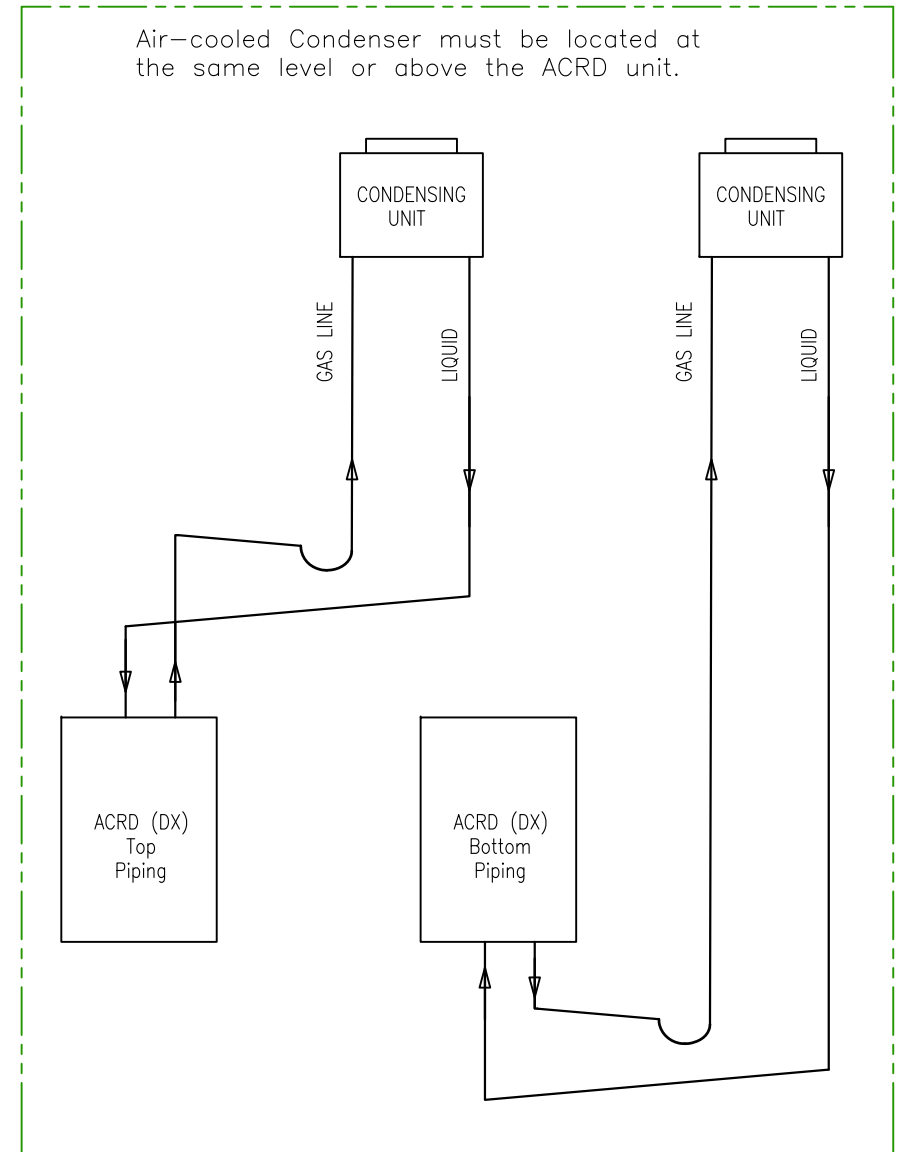
*See the Installation Manual for more information.

**Condensing units may be level with or higher than the indoor unit.

See the *Installation Manual* for more information on refrigerant piping.

Electrical Data			
Model	MCA	MOP	FLA
ACCU30301	n/a	n/a	15.8
ACCU30302	n/a	n/a	15.8
ACCU30001	50.05	80	n/a
ACCU30002	50.05	80	n/a
ACCU30101	23.1	40	n/a
ACCU30102	23.1	40	n/a
ACCU30201	n/a	n/a	15.8
ACCU30202	n/a	n/a	15.8

Piping Diagram



NOTES:

1. INSTALLATION SHALL COMPLY WITH ALL APPLICABLE NATIONAL AND LOCAL ELECTRICAL REGULATIONS.
2. REFER TO PRODUCT DOCUMENTATION FOR ADDITIONAL INFORMATION.

THIS DRAWING AND SPECIFICATIONS HEREIN ARE THE PROPERTY OF SCHNEIDER ELECTRIC AND SHALL NOT BE COPIED, REPRODUCED OR USED IN WHOLE OR IN PART, AS THE BASIS FOR THE MANUFACTURE OR SALE OF ITEMS WITHOUT WRITTEN PERMISSION FROM SCHNEIDER ELECTRIC. THIS DRAWING IS BASED UPON LATEST AVAILABLE INFORMATION AND IS SUBJECT TO CHANGE WITHOUT NOTICE.

Schneider Electric

TITLE: ACCU30000 SERIES
CONDENSER
PIPING DIAGRAM AND TECHNICAL DATA
PROJECT: SUBMITTAL DRAWINGS SHEET 2 OF 2

DWG NO: ACCU30000
DRAWN: C KRISHNA
ENGINEER: RAAM C
APPROVED: RAAM C

REV: 0
PROJECTION ANGLE: N.A.