

NOTES:

1. INSTALLATION SHALL COMPLY WITH ALL APPLICABLE NATIONAL AND LOCAL ELECTRICAL REGULATIONS.
2. PLEASE REFER TO PRODUCT MANUALS FOR ADDITIONAL DETAILS.
3. ALL DIMENSIONS ARE IN MILLIMETERS UNLESS OTHERWISE SPECIFIED.
4. CABLE ENTRY IS TOP / BOTTOM OF UNIT.
5. WEIGHT OF UNIT FOR 30,60,100A IS 157kg.
FOR 160,250A IS 174kg.

THIS DRAWING AND SPECIFICATIONS HEREIN ARE THE PROPERTY OF SCHNEIDER ELECTRIC AND SHALL NOT BE COPIED, REPRODUCED OR USED IN WHOLE OR IN PART, AS THE BASIS FOR THE MANUFACTURE OR SALE OF ITEMS WITHOUT WRITTEN PERMISSION FROM SCHNEIDER ELECTRIC. THIS DRAWING IS BASED UPON LATEST AVAILABLE INFORMATION AND IS SUBJECT TO CHANGE WITHOUT NOTICE.



TITLE: MGE UPSILON STS
Input: 380/400/415V AC 50/60Hz 3PH
Output: 380/400/415V AC 50/60Hz 3PH
STATIC TRANSFER SWITCH-30/60/100/160/250A
MAIN MECHANICALS

DWG NO: STSU30K250A

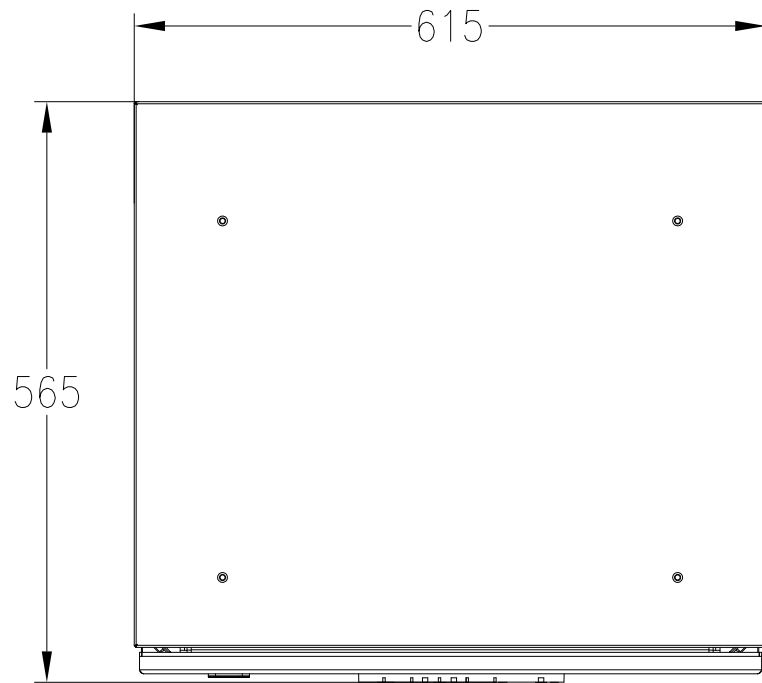
REV: 0

DRAWN: C KRISHNA 27-MAY-16
ENGINEER: CLAUDE M 27-MAY-16

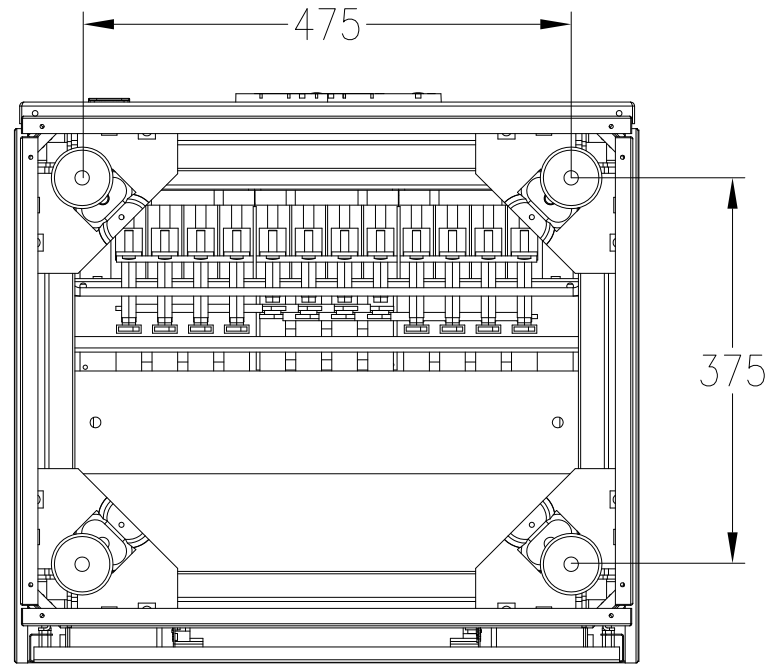
ANGLE PROJECTION N/A

PROJECT: DRAWINGS SHEET 1 OF 3

APPROVED: CLAUDE M 27-MAY-16



TOP VIEW



BOTTOM VIEW

NOTES:

1. INSTALLATION SHALL COMPLY WITH ALL APPLICABLE NATIONAL AND LOCAL ELECTRICAL REGULATIONS.
2. PLEASE REFER TO PRODUCT MANUALS FOR ADDITIONAL DETAILS.
3. ALL DIMENSIONS ARE IN MILLIMETERS UNLESS OTHERWISE SPECIFIED.
4. SOME STRUCTURAL DETAILS HAVE BEEN OMITTED FOR THE PURPOSE OF CLARITY.

THIS DRAWING AND SPECIFICATIONS HEREIN ARE THE PROPERTY OF SCHNEIDER ELECTRIC AND SHALL NOT BE COPIED, REPRODUCED OR USED IN WHOLE OR IN PART, AS THE BASIS FOR THE MANUFACTURE OR SALE OF ITEMS WITHOUT WRITTEN PERMISSION FROM SCHNEIDER ELECTRIC. THIS DRAWING IS BASED UPON LATEST AVAILABLE INFORMATION AND IS SUBJECT TO CHANGE WITHOUT NOTICE.



TITLE: MGE UPSILON STS
 Input: 380/400/415V AC 50/60Hz 3PH
 Output: 380/400/415V AC 50/60Hz 3PH
 STATIC TRANSFER SWITCH-30/60/100/160/250A
 TOP AND BOTTOM VIEW

PROJECT: DRAWINGS SHEET 1 OF 3

DWG NO: STSU30K250A

DRAWN: C KRISHNA 27-MAY-16

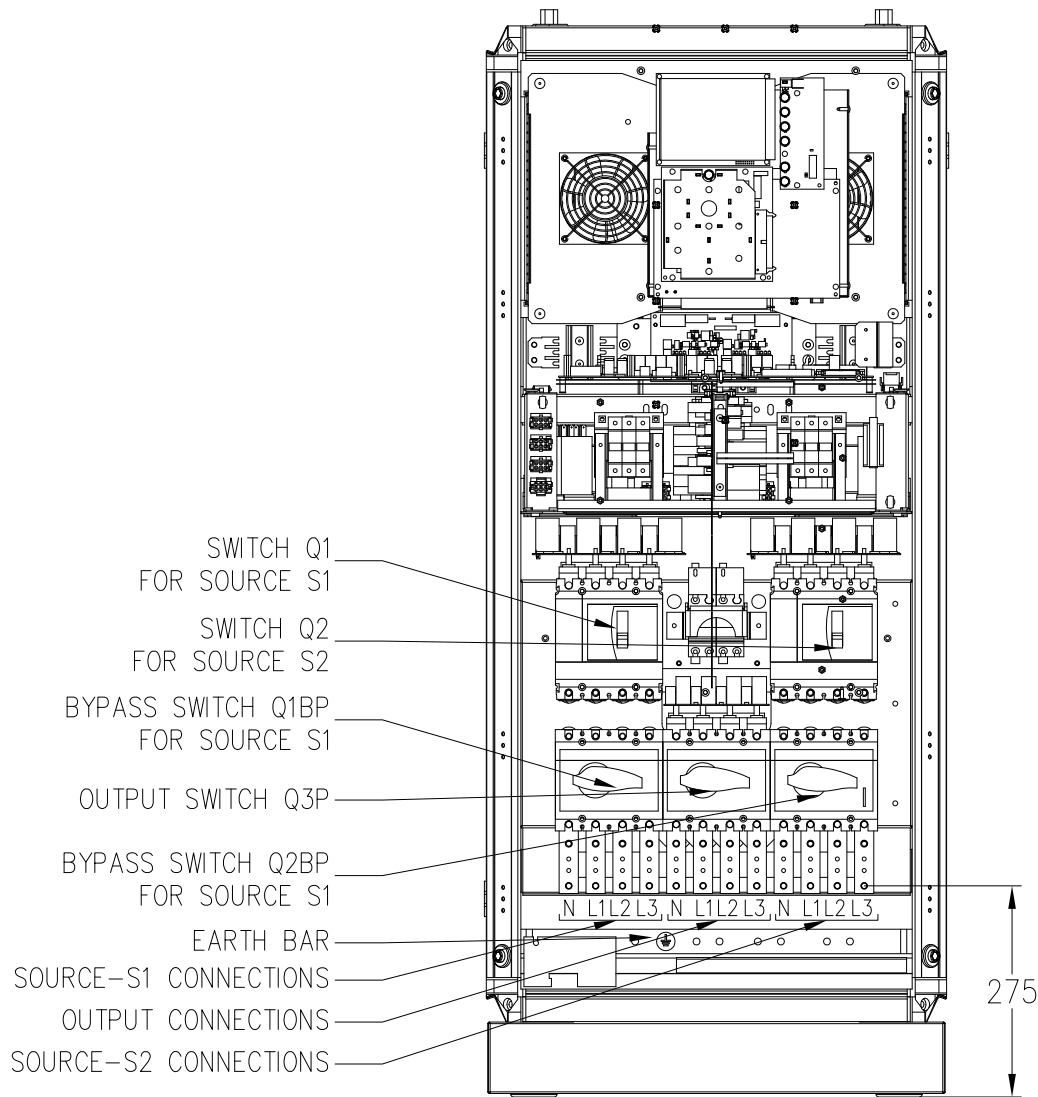
ENGINEER: CLAUDE M 27-MAY-16

APPROVED: CLAUDE M 27-MAY-16

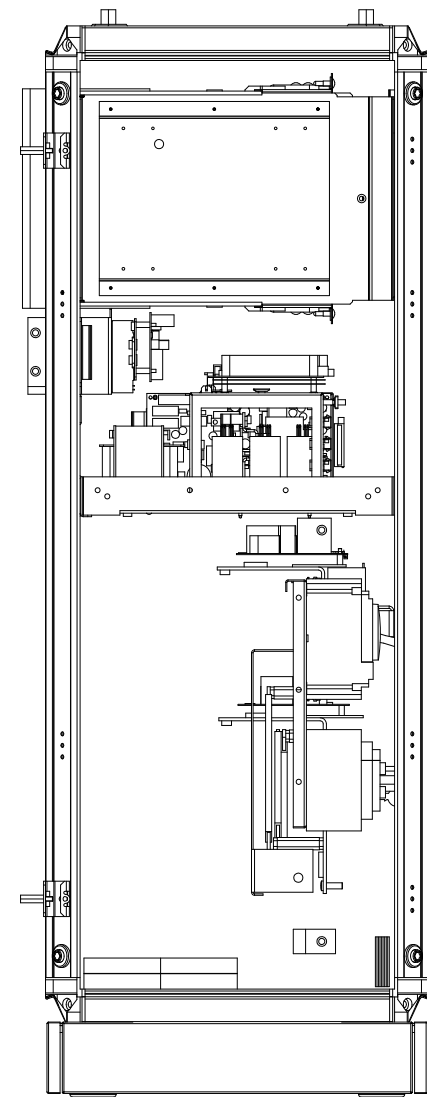
REV: 0

ANGLE PROJECTION: N/A

PROJECTION: N/A



FRONT
INTERNAL VIEW



SIDE
INTERNAL VIEW

NOTES:

1. INSTALLATION SHALL COMPLY WITH ALL APPLICABLE NATIONAL AND LOCAL ELECTRICAL REGULATIONS.
2. PLEASE REFER TO PRODUCT MANUALS FOR ADDITIONAL DETAILS.
3. ALL DIMENSIONS ARE IN MILLIMETERS UNLESS OTHERWISE SPECIFIED.
4. SOME STRUCTURAL DETAILS HAVE BEEN OMITTED FOR THE PURPOSE OF CLARITY.

THIS DRAWING AND SPECIFICATIONS HEREIN ARE THE PROPERTY OF SCHNEIDER ELECTRIC AND SHALL NOT BE COPIED, REPRODUCED OR USED IN WHOLE OR IN PART, AS THE BASIS FOR THE MANUFACTURE OR SALE OF ITEMS WITHOUT WRITTEN PERMISSION FROM SCHNEIDER ELECTRIC. THIS DRAWING IS BASED UPON LATEST AVAILABLE INFORMATION AND IS SUBJECT TO CHANGE WITHOUT NOTICE.



TITLE: MGE UPSILON STS
Input: 380/400/415V AC 50/60Hz 3PH
Output: 380/400/415V AC 50/60Hz 3PH
STATIC TRANSFER SWITCH-30/60/100/160/250A
INTERNAL VIEW

DWG NO: STSU30K250A

REV: 0

DRAWN: C KRISHNA 27-MAY-16

ANGLE PROJECTION N/A

ENGINEER: CLAUDE M 27-MAY-16

APPROVED: CLAUDE M 27-MAY-16

PROJECT: DRAWINGS SHEET 1 OF 3