
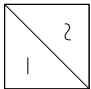
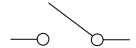
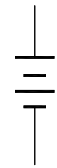

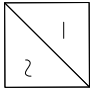


Smart-UPS On-Line

Sheet No.	Component /Detail	Description
1	Draw ing Guide	Smart-UPS-Online SRT3000XLI+SRT96BP 220/230/240V
2	Isometric View	Smart-UPS-Online SRT3000XLI+SRT96BP 220/230/240V
3	Main Mechanical	Smart-UPS-Online SRT3000XLI+SRT96BP 220/230/240V
4	XBP Isometric View	Smart-UPS-Online SRT3000XLI+SRT96BP 220/230/240V
5	XBP Main Mechanical	Smart-UPS-Online SRT3000XLI+SRT96BP 220/230/240V
6	Bayed Isometric View	Smart-UPS-Online SRT3000XLI+SRT96BP 220/230/240V
7	Bayed Main Mechanical	Smart-UPS-Online SRT3000XLI+SRT96BP 220/230/240V
8	System One Line Diagram	Smart-UPS-Online SRT3000XLI+SRT96BP 220/230/240V

LEGEND			
SYMBOL	DESCRIPTION	SYMBOL	DESCRIPTION
	CIRCUIT BREAKER		CONVERTER
	RELAY		BATTERY
	TERMINAL		INVERTER

THIS DRAWING AND SPECIFICATIONS HEREIN ARE THE PROPERTY OF SCHNEIDER ELECTRIC AND SHALL NOT BE COPIED, REPRODUCED OR USED IN WHOLE OR IN PART, AS THE BASIS FOR THE MANUFACTURE OR SALE OF ITEMS WITHOUT WRITTEN PERMISSION FROM SCHNEIDER ELECTRIC. THIS DRAWING IS BASED UPON LATEST AVAILABLE INFORMATION AND IS SUBJECT TO CHANGE WITHOUT NOTICE.



TITLE: Smart-UPS On-Line (SRT)
SRT3000XLI+SRT96BP - TOWER MODEL
INPUT: 220/230/240V, 3W (L+N+G)
OUTPUT: 220/230/240V, (8)IEC 320 C13, (2)IEC 320 C19
DRAWING GUIDE

PROJECT: DRAWINGS SHEET 1 OF 8

DWG NO: SRT3000XLI+SRT96BP

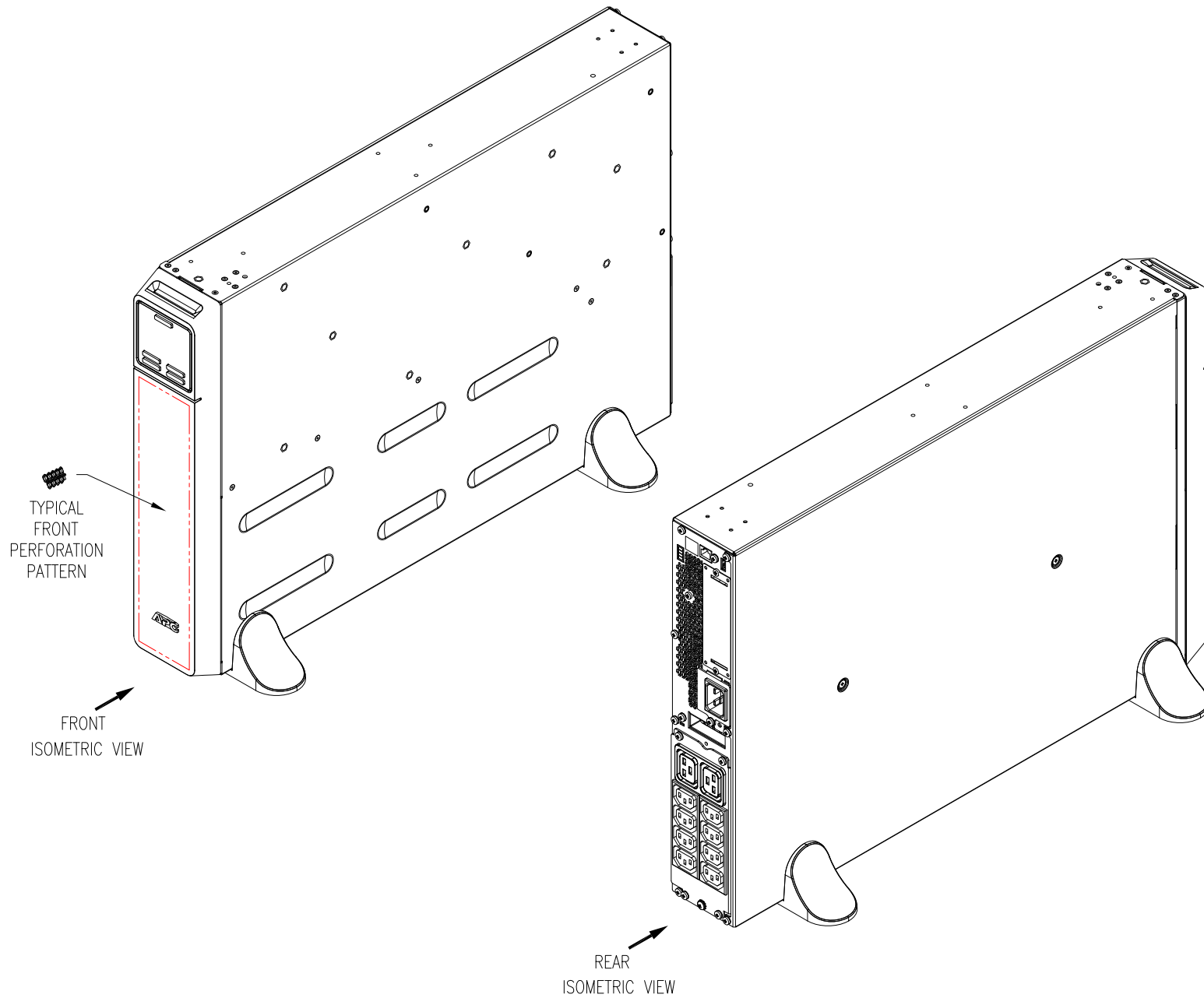
DRAWN: C KRISHNA 04-NOV-15

ENGINEER: SHANE LEE/WILSON CHEN 04-NOV-15

APPROVED: SHANE LEE/WILSON CHEN 04-NOV-15

REV. 0

FIRST ANGLE PROJECTION

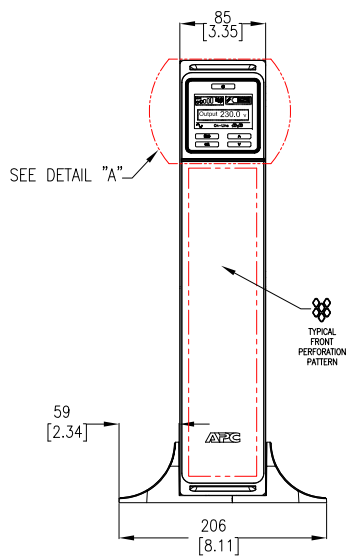


- NOTES:**
1. INSTALLATION SHALL COMPLY WITH ALL APPLICABLE NATIONAL AND LOCAL ELECTRICAL REGULATIONS.
 2. REFER TO PRODUCT MANUALS FOR ADDITIONAL DETAILS.

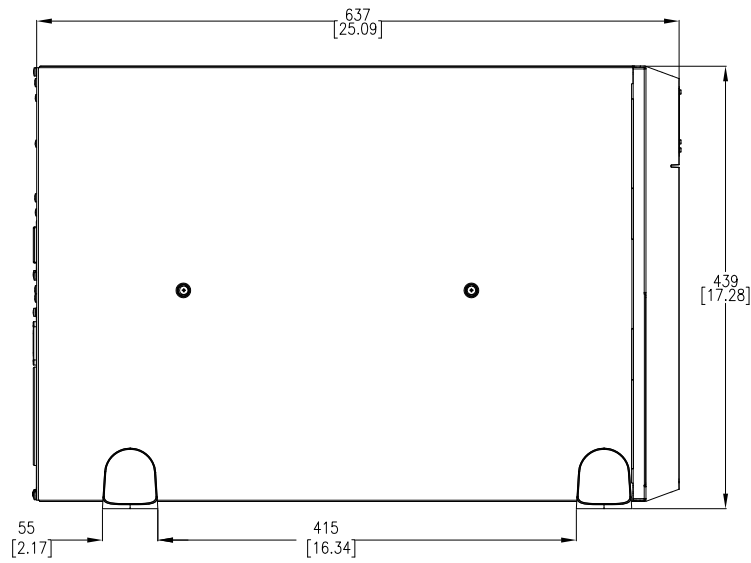
THIS DRAWING AND SPECIFICATIONS HEREIN ARE THE PROPERTY OF SCHNEIDER ELECTRIC AND SHALL NOT BE COPIED, REPRODUCED OR USED IN WHOLE OR IN PART, AS THE BASIS FOR THE MANUFACTURE OR SALE OF ITEMS WITHOUT WRITTEN PERMISSION FROM SCHNEIDER ELECTRIC. THIS DRAWING IS BASED UPON LATEST AVAILABLE INFORMATION AND IS SUBJECT TO CHANGE WITHOUT NOTICE.



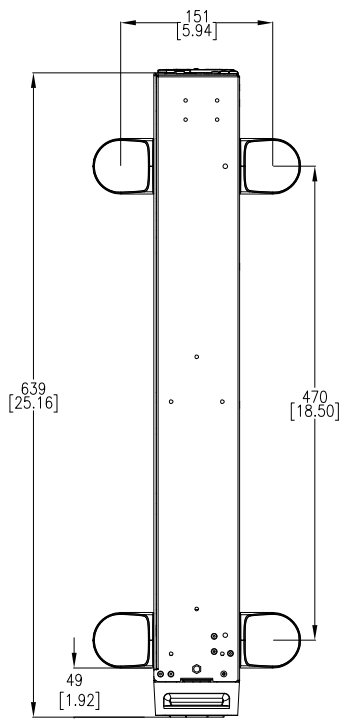
TITLE: Smart-UPS On-Line (SRT) SRT3000XLI+SRT96BP - TOWER MODEL INPUT: 220/230/240V, 3W (L+N+G) OUTPUT: 220/230/240V, (8)IEC 320 C13, (2)IEC 320 C19 ISOMETRIC VIEWS	DWG NO: SRT3000XLI+SRT96BP	REV: 0
	DRAWN: C KRISHNA	04-NOV-15
PROJECT: DRAWINGS	ENGINEER: SHANE LEE	04-NOV-15
SHEET 2 OF 8	APPROVED: SHANE LEE	04-NOV-15



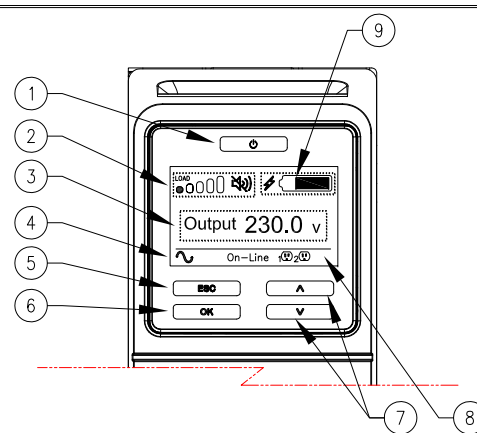
FRONT VIEW



SIDE VIEW



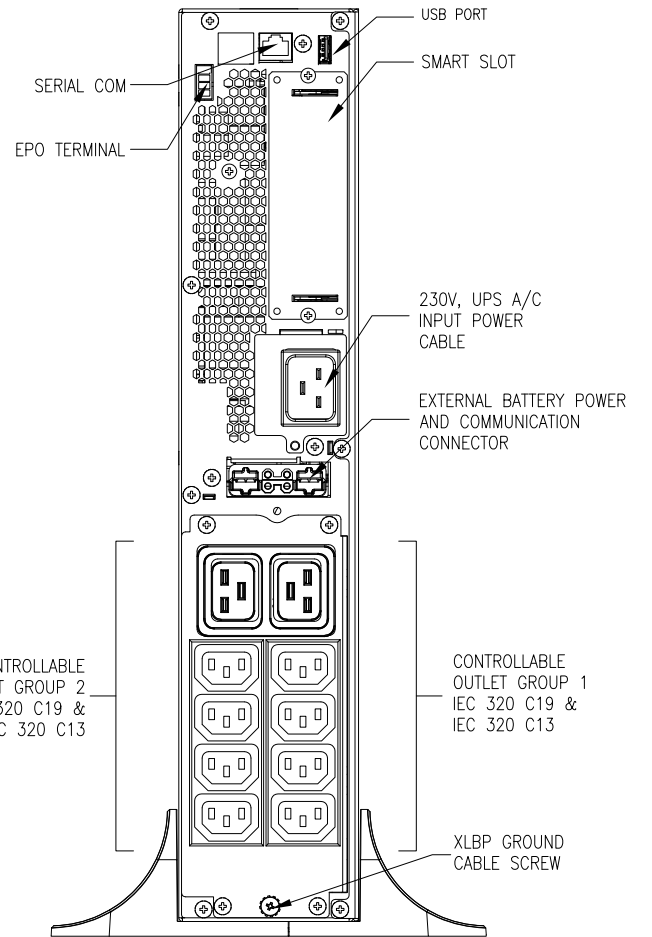
TOP VIEW



DETAIL "A" - ENLARGED VIEW

DISPLAY INTERFACE:

1. POWER "ON/OFF" BUTTON.
2. LOAD ICON, DISABLE/ MUTE AUDIBLE ALARM ICON.
3. UPS STATUS INFORMATION.
4. OPERATION MODE ICONS.
5. "ESCAPE" BUTTON.
6. "OK" BUTTON.
7. "UP/DOWN" BUTTONS.
8. CONTROLLABLE OUTLET GROUP STATUS ICONS.
9. BATTERY STATUS ICONS.



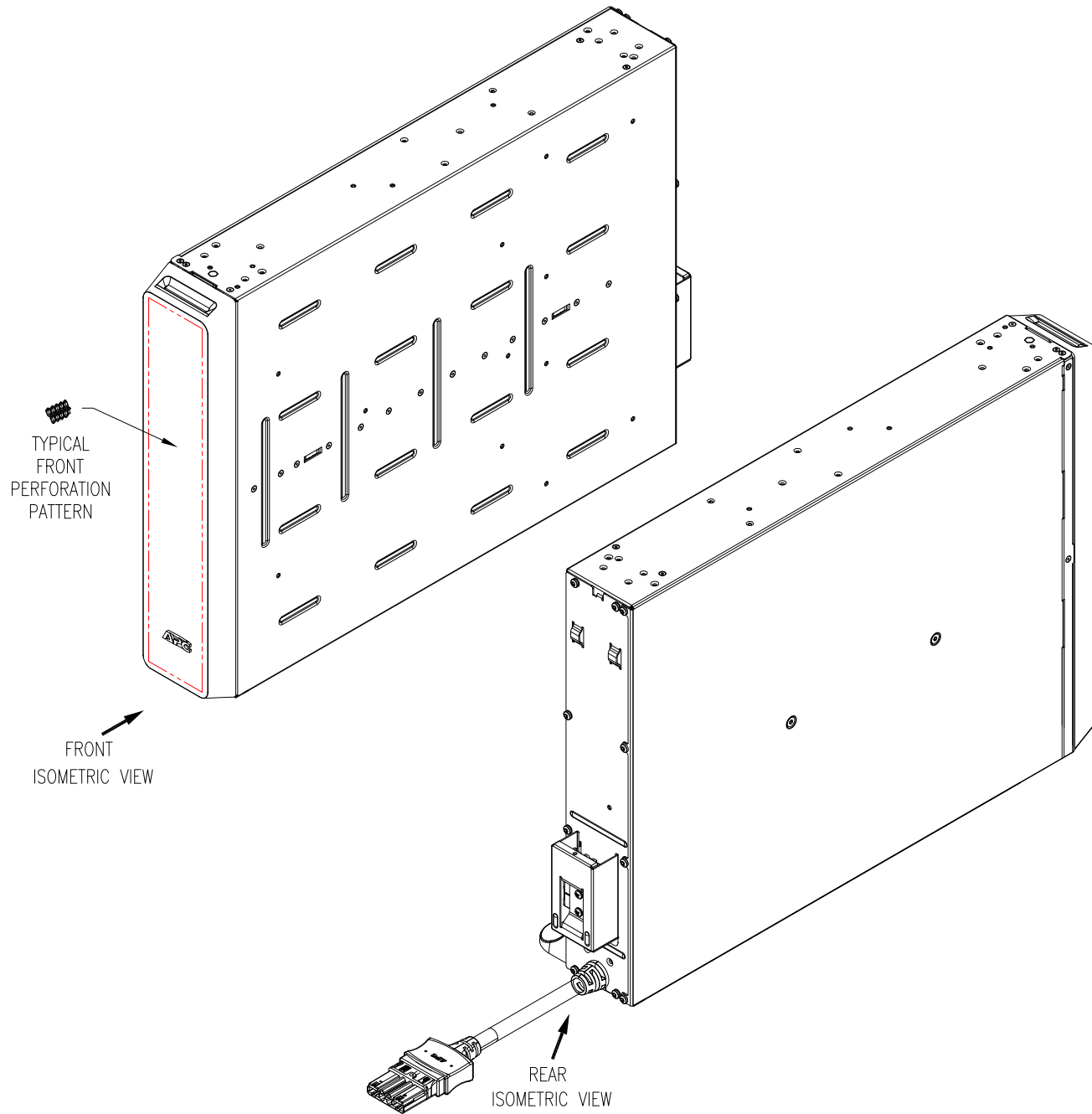
REAR VIEW

- NOTES:
1. INSTALLATION SHALL COMPLY WITH ALL APPLICABLE NATIONAL AND LOCAL ELECTRICAL REGULATIONS.
 2. REFER TO PRODUCT MANUALS FOR ADDITIONAL DETAILS.
 3. ALL DIMENSIONS ARE IN MILLIMETERS [INCHES], UNLESS OTHERWISE SPECIFIED.
 4. CABLE ENTRY IS REAR SIDE OF UNIT.
 5. WEIGHT OF UNIT WITHOUT BATTERY IS 15kg [33] LBS AND WITH BATTERY IS 31kg [69] LBS.

THIS DRAWING AND SPECIFICATIONS HEREIN ARE THE PROPERTY OF SCHNEIDER ELECTRIC AND SHALL NOT BE COPIED, REPRODUCED OR USED IN WHOLE OR IN PART, AS THE BASIS FOR THE MANUFACTURE OR SALE OF ITEMS WITHOUT WRITTEN PERMISSION FROM SCHNEIDER ELECTRIC. THIS DRAWING IS BASED UPON LATEST AVAILABLE INFORMATION AND IS SUBJECT TO CHANGE WITHOUT NOTICE.



TITLE:	Smart-UPS On-Line (SRT) SRT3000XLI+SRT96BP - TOWER MODEL INPUT: 220/230/240V, 3W (L+N+G) OUTPUT: 220/230/240V, (8)IEC 320 C13, (2)IEC 320 C19 MAIN MECHANICAL	DWG NO:	SRT3000XLI+SRT96BP	REV:	0
PROJECT:	DRAWINGS	SHEET	3 OF 8	APPROVED:	SHANE LEE
				ENGINEER:	SHANE LEE
					04-NOV-15
					04-NOV-15
					04-NOV-15
					FIRST ANGLE PROJECTION



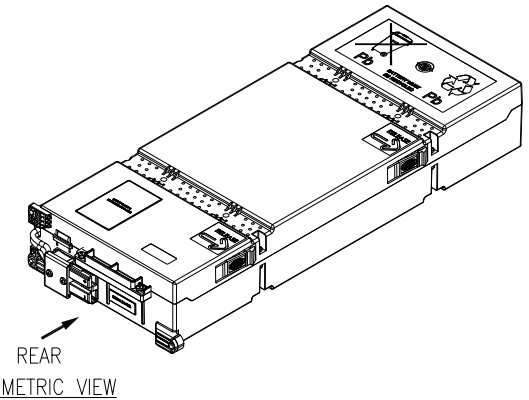
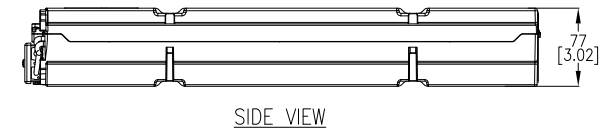
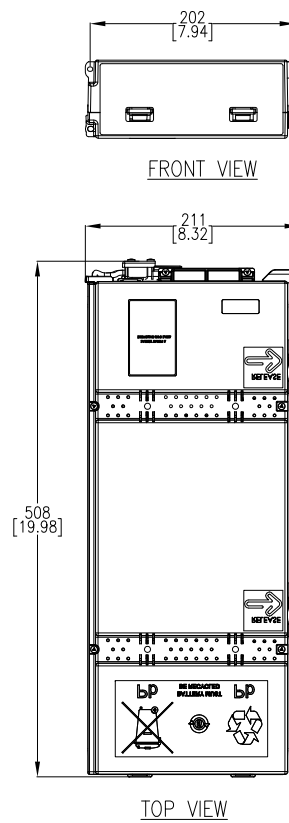
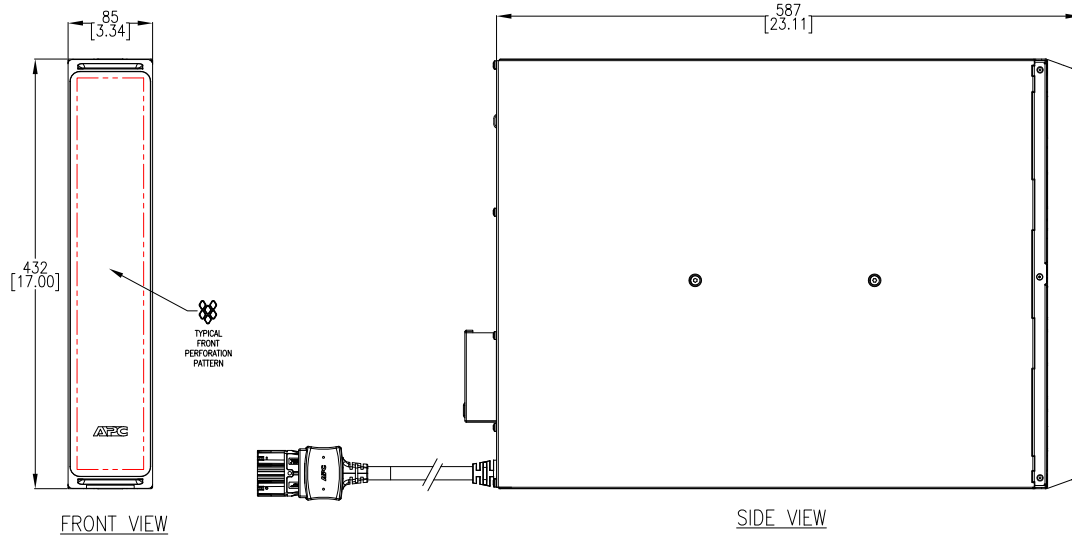
NOTES:

1. INSTALLATION SHALL COMPLY WITH ALL APPLICABLE NATIONAL AND LOCAL ELECTRICAL REGULATIONS.
2. REFER TO PRODUCT MANUALS FOR ADDITIONAL DETAILS.

THIS DRAWING AND SPECIFICATIONS HEREIN ARE THE PROPERTY OF SCHNEIDER ELECTRIC AND SHALL NOT BE COPIED, REPRODUCED OR USED IN WHOLE OR IN PART, AS THE BASIS FOR THE MANUFACTURE OR SALE OF ITEMS WITHOUT WRITTEN PERMISSION FROM SCHNEIDER ELECTRIC. THIS DRAWING IS BASED UPON LATEST AVAILABLE INFORMATION AND IS SUBJECT TO CHANGE WITHOUT NOTICE.



TITLE: Smart-UPS On-Line (SRT) SRT3000XLI+SRT96BP - TOWER MODEL INPUT: 220/230/240V, 3W (L+N+G) OUTPUT: 220/230/240V, (8)IEC 320 C13, (2)IEC 320 C19 XBP ISOMETRIC VIEWS	DWG NO:	SRT3000XLI+SRT96BP	REV:	0
	DRAWN:	C KRISHNA	04-NOV-15	FIRST ANGLE PROJECTION
PROJECT: DRAWINGS SHEET 4 OF 8	ENGINEER:	SHANE LEE	04-NOV-15	
	APPROVED:	SHANE LEE	04-NOV-15	



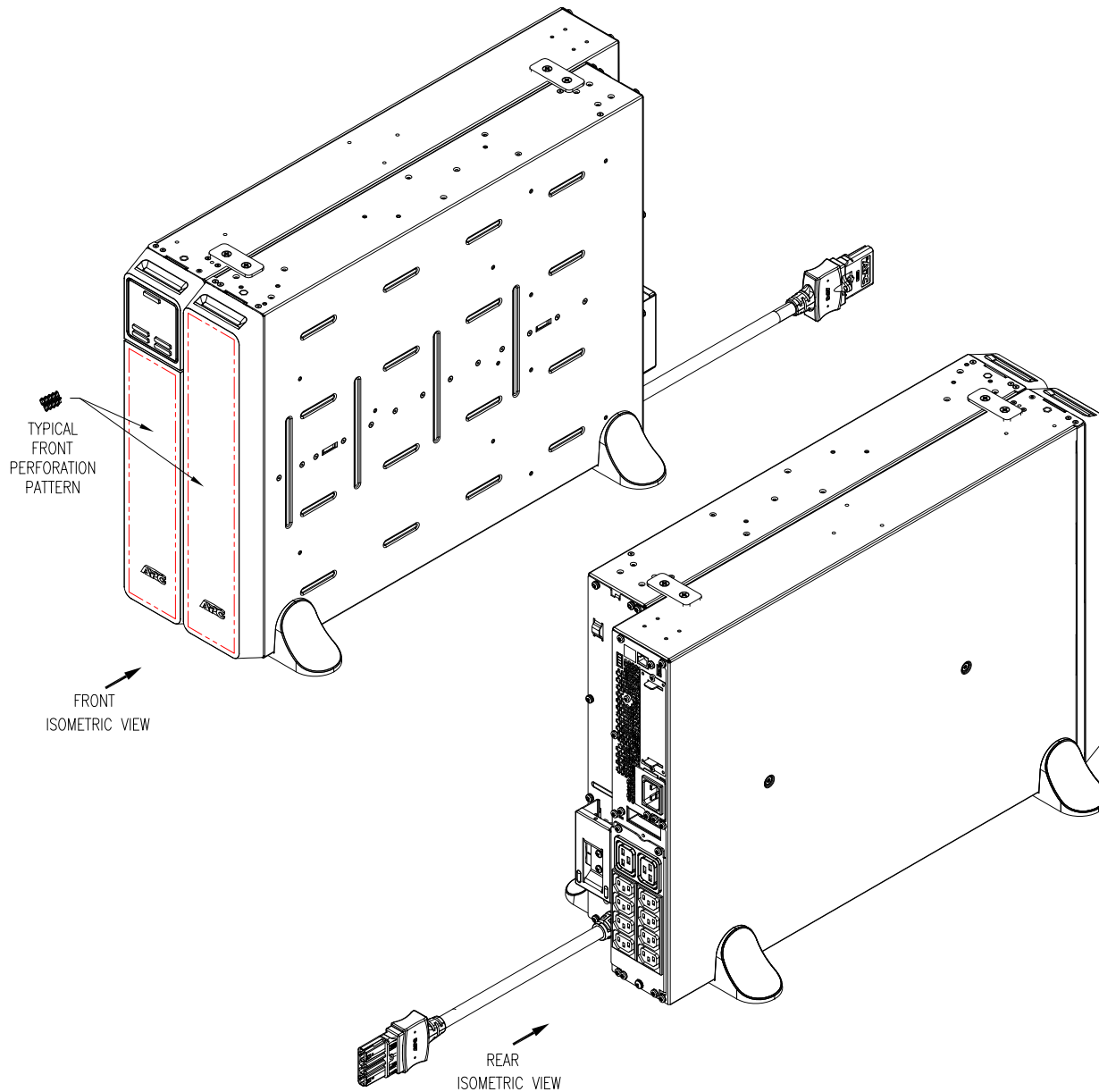
REPLACEMENT
BATTERY CARTRIDGE-(APCRBC152)

- NOTES:
1. INSTALLATION SHALL COMPLY WITH ALL APPLICABLE NATIONAL AND LOCAL ELECTRICAL REGULATIONS.
 2. REFER TO PRODUCT MANUALS FOR ADDITIONAL DETAILS.
 3. ALL DIMENSIONS ARE IN MILLIMETERS [INCHES], UNLESS OTHERWISE SPECIFIED.
 4. CABLE ENTRY IS REAR SIDE OF UNIT.
 5. WEIGHT OF UNIT IS 40.6kg [89.5] LBS.
 6. THE BATTERY PACK HARNESS LENGTH IS 500 mm [19.7 INCHES]

THIS DRAWING AND SPECIFICATIONS HEREIN ARE THE PROPERTY OF SCHNEIDER ELECTRIC AND SHALL NOT BE COPIED, REPRODUCED OR USED IN WHOLE OR IN PART, AS THE BASIS FOR THE MANUFACTURE OR SALE OF ITEMS WITHOUT WRITTEN PERMISSION FROM SCHNEIDER ELECTRIC. THIS DRAWING IS BASED UPON LATEST AVAILABLE INFORMATION AND IS SUBJECT TO CHANGE WITHOUT NOTICE.



TITLE:	Smart-UPS On-Line (SRT) SRT3000XLI+SRT96BP - TOWER MODEL	DWG NO:	SRT3000XLI+SRT96BP	REV.	0
INPUT:	220/230/240V, 3W (L+N+G)	DRAWN:	C KRISHNA	04-NOV-15	FIRST ANGLE PROJECTION
OUTPUT:	220/230/240V, (8)IEC 320 C13, (2)IEC 320 C19	ENGINEER:	SHANE LEE	04-NOV-15	
PROJECT:	DRAWINGS SHEET 5 OF 8	APPROVED:	SHANE LEE	04-NOV-15	



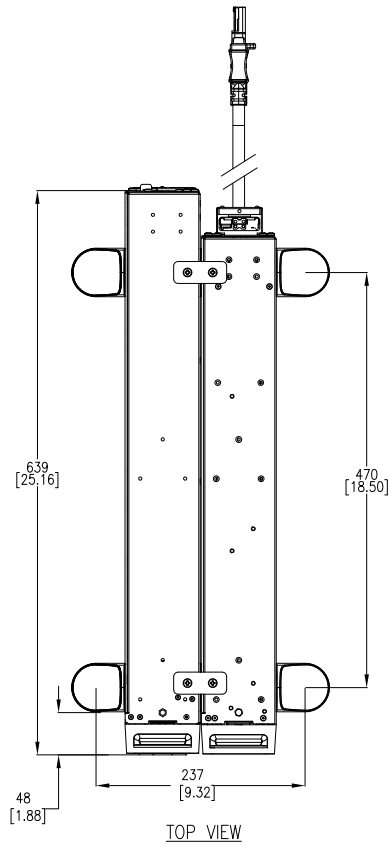
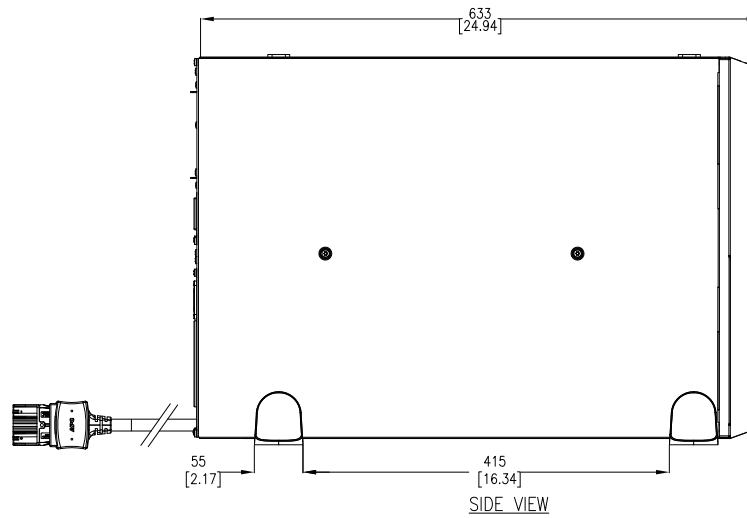
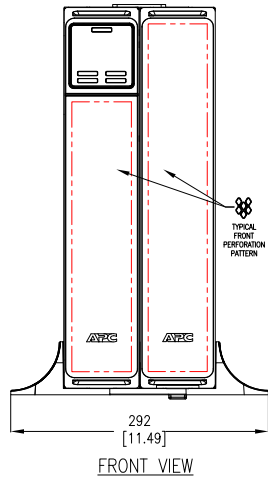
NOTES:

1. INSTALLATION SHALL COMPLY WITH ALL APPLICABLE NATIONAL AND LOCAL ELECTRICAL REGULATIONS.
2. REFER TO PRODUCT MANUALS FOR ADDITIONAL DETAILS.
3. ALL DIMENSIONS ARE IN MILLIMETERS [INCHES]. UNLESS OTHERWISE SPECIFIED.
4. THE BATTERY REPLACEMENT CARTRIDGE, APCRBC140, CONSISTS OF (2) BATTERY MODULES.

THIS DRAWING AND SPECIFICATIONS HEREIN ARE THE PROPERTY OF SCHNEIDER ELECTRIC AND SHALL NOT BE COPIED, REPRODUCED OR USED IN WHOLE OR IN PART, AS THE BASIS FOR THE MANUFACTURE OR SALE OF ITEMS WITHOUT WRITTEN PERMISSION FROM SCHNEIDER ELECTRIC. THIS DRAWING IS BASED UPON LATEST AVAILABLE INFORMATION AND IS SUBJECT TO CHANGE WITHOUT NOTICE.



TITLE: Smart-UPS On-Line (SRT) SRT3000XLI+SRT96BP - TOWER MODEL INPUT: 220/230/240V, 3W (L+N+G) OUTPUT: 220/230/240V, (8)IEC 320 C13, (2)IEC 320 C19 BAYED ISOMETRIC VIEWS	DWG NO: SRT3000XLI+SRT96BP	REV: 0
	DRAWN: C KRISHNA	04-NOV-15
PROJECT: DRAWINGS SHEET 6 OF 8	ENGINEER: SHANE LEE	04-NOV-15
	APPROVED: SHANE LEE	04-NOV-15



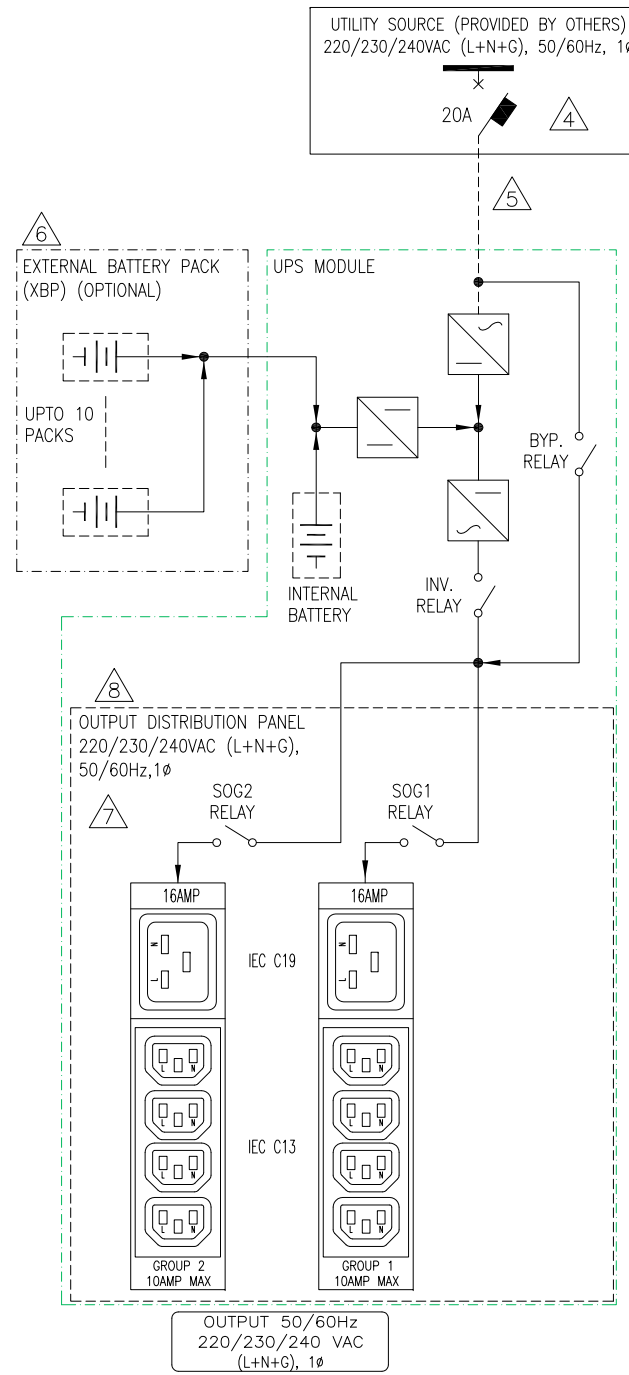
NOTES:

1. INSTALLATION SHALL COMPLY WITH ALL APPLICABLE NATIONAL AND LOCAL ELECTRICAL REGULATIONS.
2. REFER TO PRODUCT MANUALS FOR ADDITIONAL DETAILS.
3. ALL DIMENSIONS ARE IN MILLIMETERS [INCHES], UNLESS OTHERWISE SPECIFIED.

THIS DRAWING AND SPECIFICATIONS HEREIN ARE THE PROPERTY OF SCHNEIDER ELECTRIC AND SHALL NOT BE COPIED, REPRODUCED OR USED IN WHOLE OR IN PART, AS THE BASIS FOR THE MANUFACTURE OR SALE OF ITEMS WITHOUT WRITTEN PERMISSION FROM SCHNEIDER ELECTRIC. THIS DRAWING IS BASED UPON LATEST AVAILABLE INFORMATION AND IS SUBJECT TO CHANGE WITHOUT NOTICE.



PROJECT: DRAWINGS	TITLE: Smart-UPS On-Line (SRT) SRT3000XLI+SRT96BP - TOWER MODEL INPUT: 220/230/240V, 3W (L+N+G) OUTPUT: 220/230/240V, (8)IEC 320 C13, (2)IEC 320 C19 BAYED MAIN MECHANICAL	DWG NO: SRT3000XLI+SRT96BP	REV: 0
	SHEET 7 OF 8	DRAWN: C KRISHNA ENGINEER: SHANE LEE APPROVED: SHANE LEE	04-NOV-15 04-NOV-15 04-NOV-15
			FIRST ANGLE PROJECTION



NOTES:

1. INSTALLATION MUST COMPLY WITH ALL APPLICABLE NATIONAL, STATE AND LOCAL CODES.
2. REFER TO PRODUCT DOCUMENTATION FOR ADDITIONAL DETAILS PRIOR TO INSTALLATION AND SITE PREPARATION WORK.
3. DRAWING DEPICTS POWER SYSTEM CONNECTIONS AND IS NOT REPRESENTATIVE OF PHYSICAL LAYOUT. PLEASE REFER TO MECHANICAL DRAWINGS FOR MORE SPECIFIC PHYSICAL DATA.
- Δ 4. UTILITY SOURCE MUST BE 1φ, 220/230/240VAC (L+N+G), 50/60Hz PROVIDED BY OTHERS.
- Δ 5. DASHED LINES BETWEEN UTILITY SOURCE AND THE UNIT REPRESENTS THE IEC C20 INPUT CORD SET PROVIDED WITH THE UNIT.
- Δ 6. ADDITIONAL EXTERNAL BATTERY PACKS (UP TO 10), CAN BE CONNECTED TO INCREASE THE RUN TIME FURTHER.
- Δ 7. OUTPUT DISTRIBUTION PANEL CONTAINS SWITCHABLE OUTPUT GROUPS. REFER TO INSTALLATION MANUAL FOR DETAILED INSTRUCTIONS.
- Δ 8. OPTIONAL PDU PANELS CAN BE PURCHASED SEPARATELY & INSTALLED TO PROVIDE ALTERNATIVE LOAD CONNECTIONS.
9. INPUT I THD < 5% AT FULL LOAD
10. OUTPUT V THD < 2% LINEAR LOAD, <5% NON LINEAR LOAD
11. OUTPUT POWER-FACTOR IS 0.9 AT FULL LOAD

THIS DRAWING AND SPECIFICATIONS HEREIN ARE THE PROPERTY OF SCHNEIDER ELECTRIC AND SHALL NOT BE COPIED, REPRODUCED OR USED IN WHOLE OR IN PART, AS THE BASIS FOR THE MANUFACTURE OR SALE OF ITEMS WITHOUT WRITTEN PERMISSION FROM SCHNEIDER ELECTRIC. THIS DRAWING IS BASED UPON LATEST AVAILABLE INFORMATION AND IS SUBJECT TO CHANGE WITHOUT NOTICE.



TITLE: Smart-UPS On-Line (SRT)
SRT3000XLI+SRT96BP - TOWER MODEL
INPUT: 220/230/240V, 3W (L+N+G)
OUTPUT: 220/230/240V, (8)IEC 320 C13, (2)IEC 320 C19
SYSTEM ONE LINE DIAGRAM

PROJECT: DRAWINGS SHEET 6 OF 6

DWG NO: SRT3000XLI+SRT96BP

DRAWN:	C KRISHNA	04-NOV-15
ENGINEER:	WILSON CHEN	04-NOV-15
APPROVED:	WILSON CHEN	04-NOV-15

REV: 0

ANGLE PROJECTION