
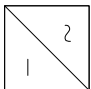
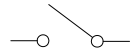
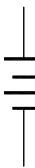

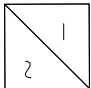


Smart-UPS On-Line

Sheet No.	Component /Detail	Description
1	Draw ing Guide	Smart-UPS-Online SRT2200RMXLI+SRT72RMBP 220/230/240V
2	Isometric View	Smart-UPS-Online SRT2200RMXLI+SRT72RMBP 220/230/240V
3	Main Mechanical	Smart-UPS-Online SRT2200RMXLI+SRT72RMBP 220/230/240V
4	XBP Isometric View	Smart-UPS-Online SRT2200RMXLI+SRT72RMBP 220/230/240V
5	XBP Main Mechanical	Smart-UPS-Online SRT2200RMXLI+SRT72RMBP 220/230/240V
6	Bayed Isometric View	Smart-UPS-Online SRT2200RMXLI+SRT72RMBP 220/230/240V
7	Bayed Main Mechanical	Smart-UPS-Online SRT2200RMXLI+SRT72RMBP 220/230/240V
8	System One Line Diagram	Smart-UPS-Online SRT2200RMXLI+SRT72RMBP 220/230/240V

LEGEND			
SYMBOL	DESCRIPTION	SYMBOL	DESCRIPTION
	CIRCUIT BREAKER		CONVERTER
	RELAY		BATTERY
	TERMINAL		INVERTER

THIS DRAWING AND SPECIFICATIONS HEREIN ARE THE PROPERTY OF SCHNEIDER ELECTRIC AND SHALL NOT BE COPIED, REPRODUCED OR USED IN WHOLE OR IN PART, AS THE BASIS FOR THE MANUFACTURE OR SALE OF ITEMS WITHOUT WRITTEN PERMISSION FROM SCHNEIDER ELECTRIC. THIS DRAWING IS BASED UPON LATEST AVAILABLE INFORMATION AND IS SUBJECT TO CHANGE WITHOUT NOTICE.



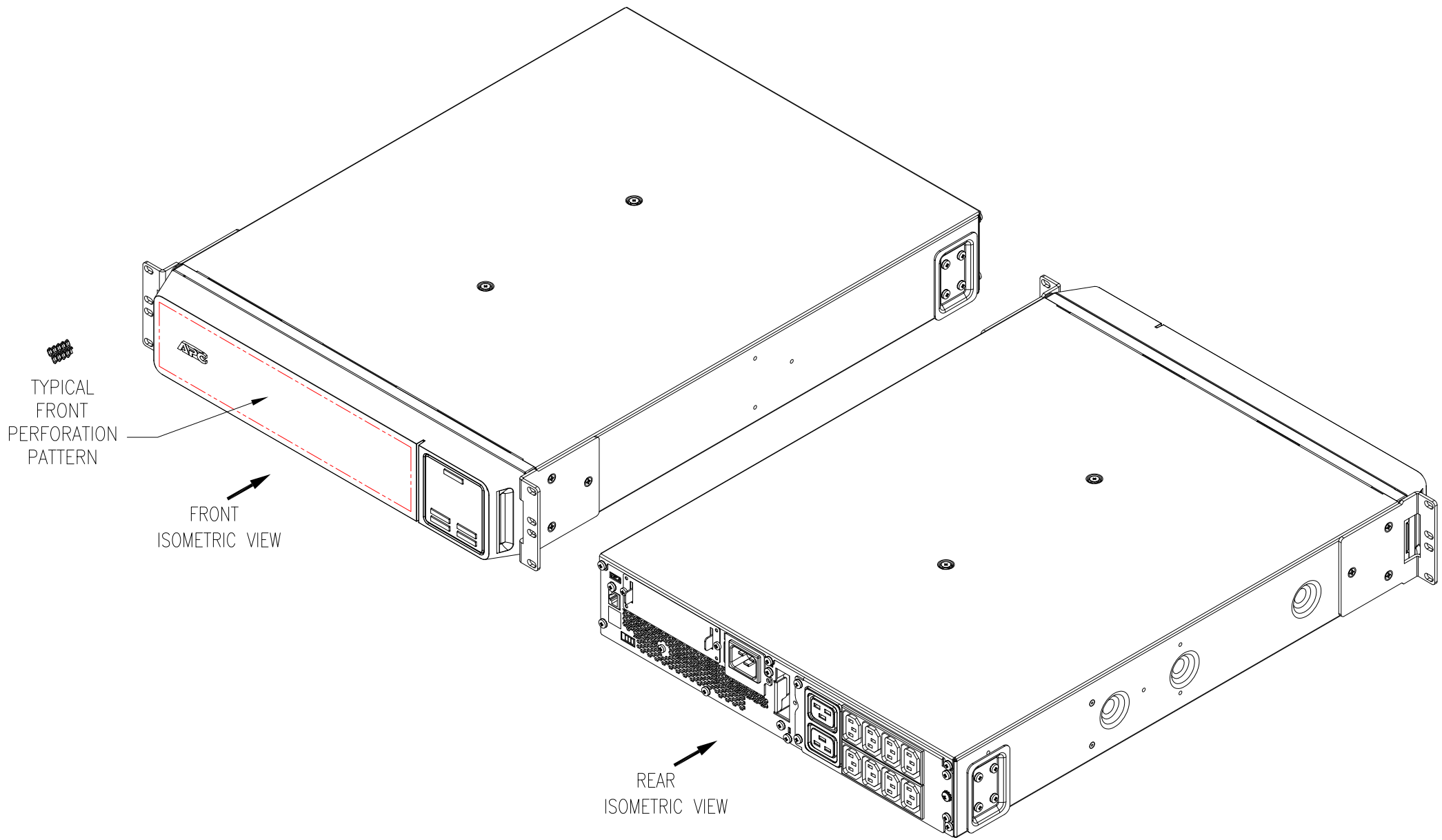
TITLE: Smart-UPS On-Line (SRT)
SRT2200RMXLI+SRT72RMBP - RACK MOUNT
INPUT: 220/230/240V, 3W (L+N+G)
OUTPUT: 220/230/240V, (8)IEC 320 C13, (2)IEC 320 C19
DRAWING GUIDE

PROJECT: DRAWINGS SHEET 1 OF 8

DWG NO: SRT2200RMXLI+SRT72RMBP REV. 0

DRAWN: C KRISHNA	04-NOV-15
ENGINEER: SHANE LEE/WILSON CHEN	04-NOV-15
APPROVED: SHANE LEE/WILSON CHEN	04-NOV-15

FIRST ANGLE PROJECTION



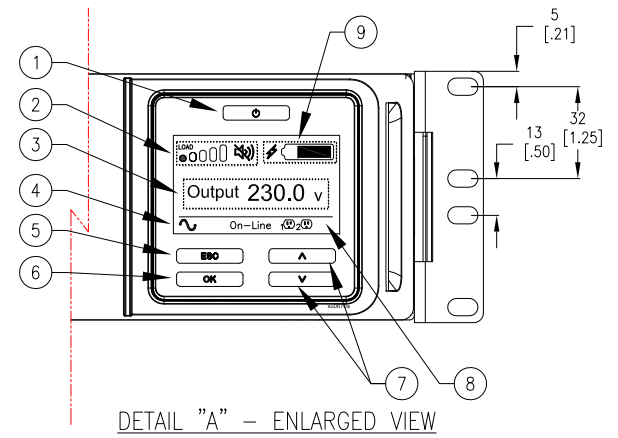
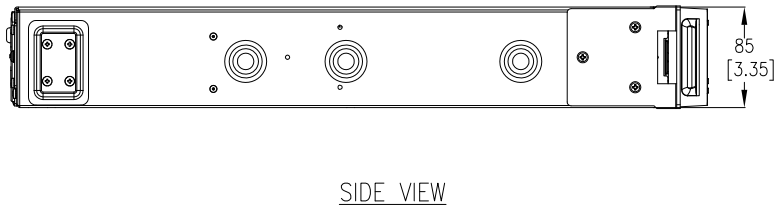
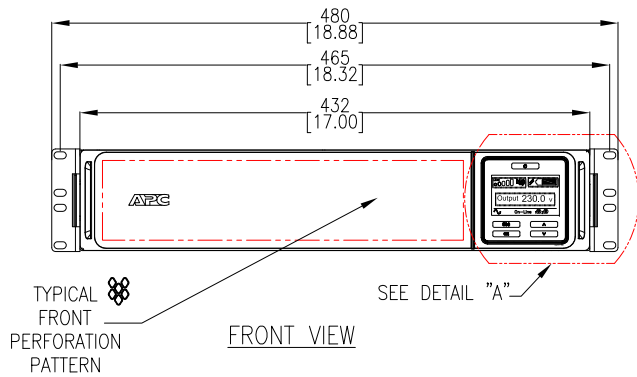
NOTES:

1. INSTALLATION SHALL COMPLY WITH ALL APPLICABLE NATIONAL AND LOCAL ELECTRICAL REGULATIONS.
2. REFER TO PRODUCT MANUALS FOR ADDITIONAL DETAILS.

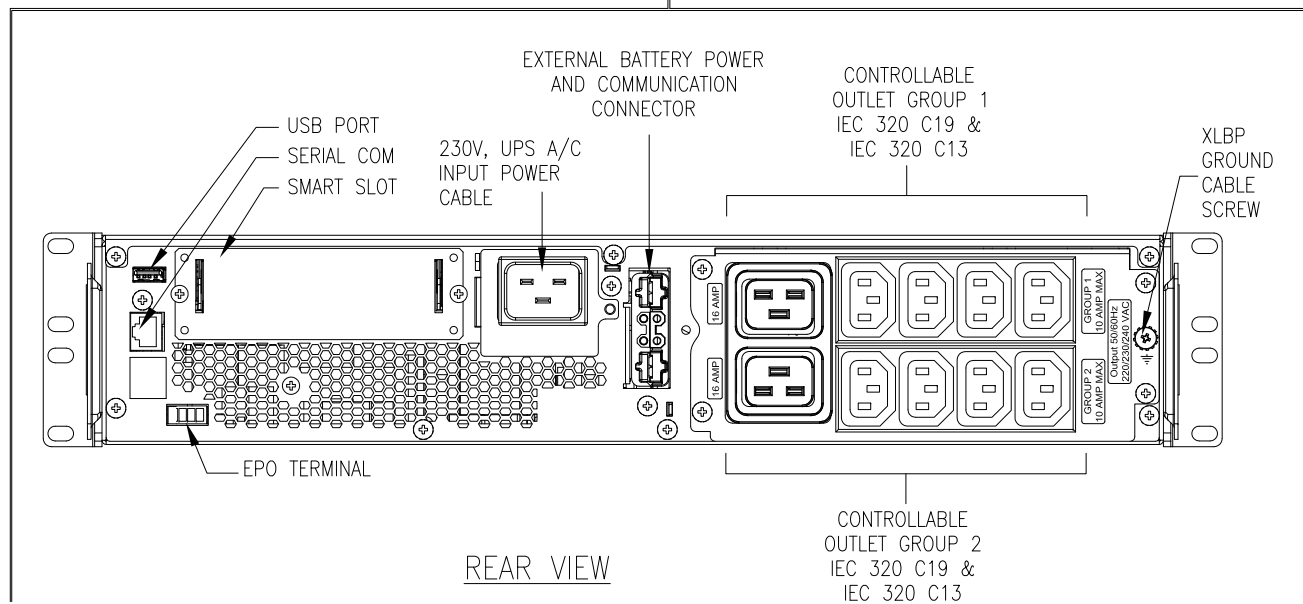
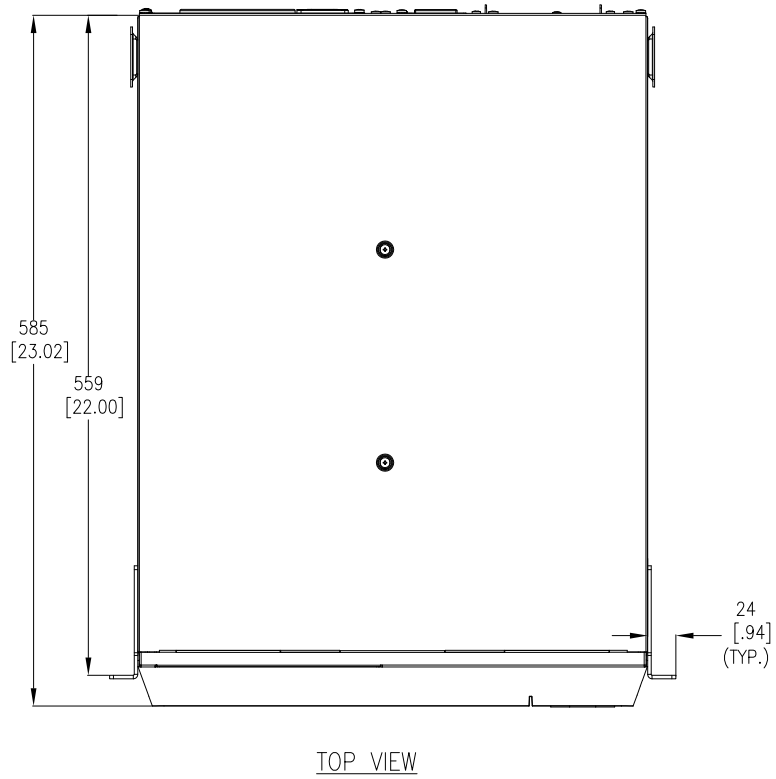
THIS DRAWING AND SPECIFICATIONS HEREIN ARE THE PROPERTY OF SCHNEIDER ELECTRIC AND SHALL NOT BE COPIED, REPRODUCED OR USED IN WHOLE OR IN PART, AS THE BASIS FOR THE MANUFACTURE OR SALE OF ITEMS WITHOUT WRITTEN PERMISSION FROM SCHNEIDER ELECTRIC. THIS DRAWING IS BASED UPON LATEST AVAILABLE INFORMATION AND IS SUBJECT TO CHANGE WITHOUT NOTICE.



TITLE: Smart-UPS On-Line (SRT) SRT2200RMXL1+SRT72RMBP - RACK MOUNT INPUT: 220/230/240V, 3W (L+N+G) OUTPUT: 220/230/240V, (8)IEC 320 C13, (2)IEC 320 C19 ISOMETRIC VIEWS	DWG NO:	SRT2200RMXL1+SRT72RMBP	REV:	0
	DRAWN:	C KRISHNA	04-NOV-15	FIRST ANGLE PROJECTION
PROJECT: DRAWINGS SHEET 2 OF 8	ENGINEER:	SHANE LEE	04-NOV-15	
	APPROVED:	SHANE LEE	04-NOV-15	

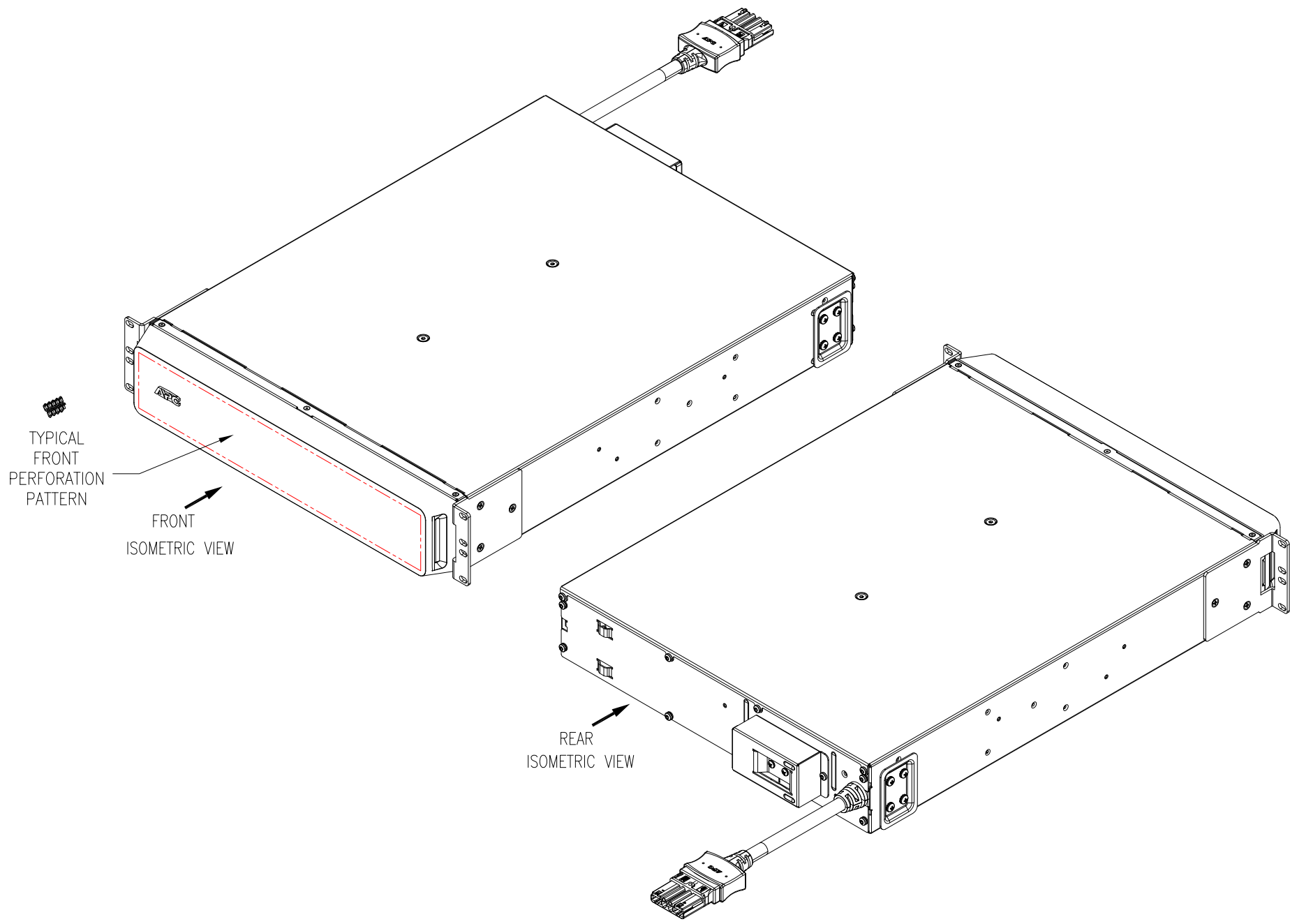


- DISPLAY INTERFACE:
- 1. POWER "ON/OFF" BUTTON.
 - 2. LOAD ICON, DISABLE/ MUTE AUDIBLE ALARM ICON.
 - 3. UPS STATUS INFORMATION.
 - 4. OPERATION MODE ICONS.
 - 5. "ESCAPE" BUTTON.
 - 6. "OK" BUTTON.
 - 7. "UP/DOWN" BUTTONS.
 - 8. CONTROLLABLE OUTLET GROUP STATUS ICONS.
 - 9. BATTERY STATUS ICONS.



- NOTES:
1. INSTALLATION SHALL COMPLY WITH ALL APPLICABLE NATIONAL AND LOCAL ELECTRICAL REGULATIONS.
 2. REFER TO PRODUCT MANUALS FOR ADDITIONAL DETAILS.
 3. ALL DIMENSIONS ARE IN MILLIMETERS [INCHES], UNLESS OTHERWISE SPECIFIED.
 4. CABLE ENTRY IS REAR SIDE OF UNIT.
 5. WEIGHT OF UNIT WITHOUT BATTERY IS 13kg [29] LBS AND WITH BATTERY IS 25kg [55] LBS.

<p>THIS DRAWING AND SPECIFICATIONS HEREIN ARE THE PROPERTY OF SCHNEIDER ELECTRIC AND SHALL NOT BE COPIED, REPRODUCED OR USED IN WHOLE OR IN PART, AS THE BASIS FOR THE MANUFACTURE OR SALE OF ITEMS WITHOUT WRITTEN PERMISSION FROM SCHNEIDER ELECTRIC. THIS DRAWING IS BASED UPON LATEST AVAILABLE INFORMATION AND IS SUBJECT TO CHANGE WITHOUT NOTICE.</p>	<p>TITLE: Smart-UPS On-Line (SRT) SRT2200RMXL1+SRT72RMBP - RACK MOUNT INPUT: 220/230/240V, 3W (L+N+G) OUTPUT: 220/230/240V, (8)IEC 320 C13, (2)IEC 320 C19 MAIN MECHANICAL</p>	<p>DWG NO: SRT2200RMXL1+SRT72RMBP</p>	<p>REV: 0</p>
	<p>PROJECT: DRAWINGS SHEET 3 OF 8</p>	<p>DRAWN: C KRISHNA 04-NOV-15 ENGINEER: SHANE LEE 04-NOV-15</p>	<p>FIRST ANGLE PROJECTION</p>
	<p>APPROVED: SHANE LEE 04-NOV-15</p>		



NOTES:

1. INSTALLATION SHALL COMPLY WITH ALL APPLICABLE NATIONAL AND LOCAL ELECTRICAL REGULATIONS.
2. REFER TO PRODUCT MANUALS FOR ADDITIONAL DETAILS.
3. ALL DIMENSIONS ARE IN MILLIMETERS [INCHES], UNLESS OTHERWISE SPECIFIED.

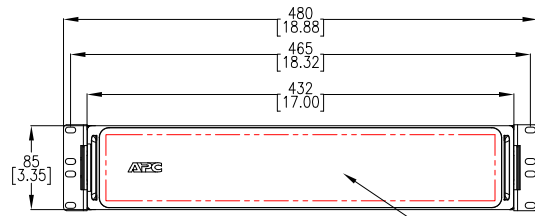
THIS DRAWING AND SPECIFICATIONS HEREIN ARE THE PROPERTY OF SCHNEIDER ELECTRIC AND SHALL NOT BE COPIED, REPRODUCED OR USED IN WHOLE OR IN PART, AS THE BASIS FOR THE MANUFACTURE OR SALE OF ITEMS WITHOUT WRITTEN PERMISSION FROM SCHNEIDER ELECTRIC. THIS DRAWING IS BASED UPON LATEST AVAILABLE INFORMATION AND IS SUBJECT TO CHANGE WITHOUT NOTICE.



TITLE: Smart-UPS On-Line (SRT)
 SRT2200RMXL1+SRT72RMBP - RACK MOUNT
 INPUT: 220/230/240V, 3W (L+N+G)
 OUTPUT: 220/230/240V, (8)IEC 320 C13, (2)IEC 320 C19
 XBP ISOMETRIC VIEWS

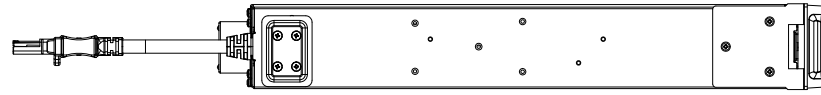
DWG NO: SRT2200RMXL1+SRT72RMBP
 DRAWN: C KRISHNA
 ENGINEER: SHANE LEE
 APPROVED: SHANE LEE

REV. 0
 04-NOV-15
 04-NOV-15
 04-NOV-15

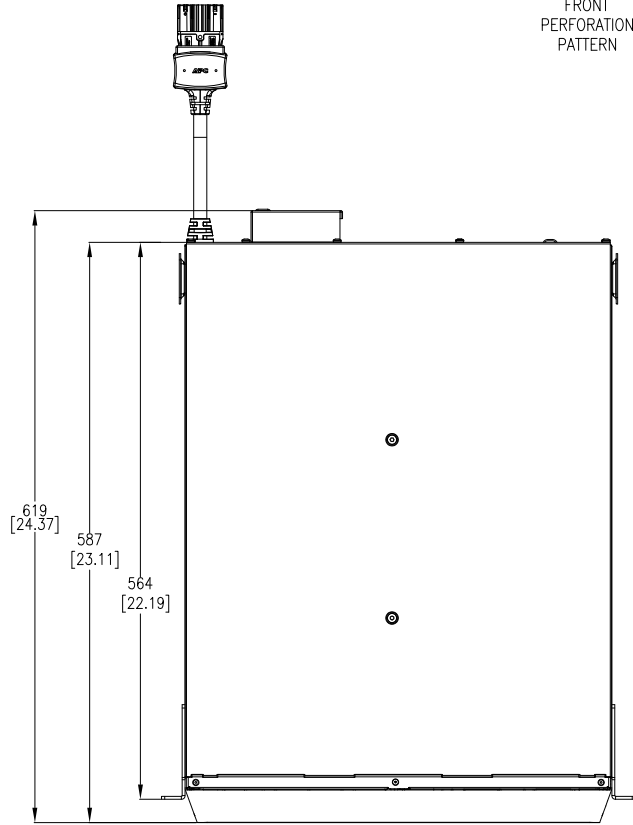


FRONT VIEW

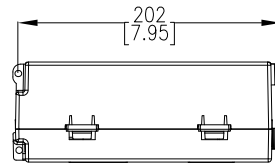
TYPICAL FRONT PERFORATION PATTERN



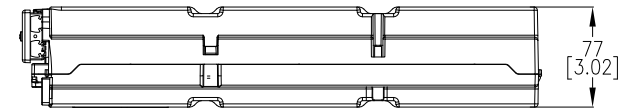
SIDE VIEW



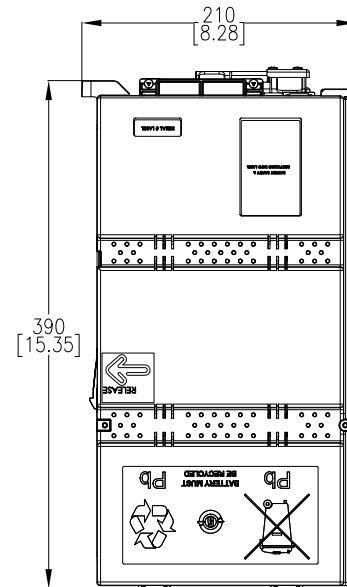
TOP VIEW



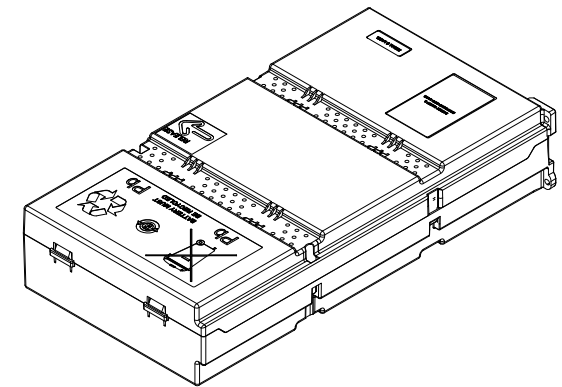
FRONT VIEW



SIDE VIEW



TOP VIEW



ISOMETRIC VIEW

REPLACEMENT BATTERY CARTRIDGE-(APCRBC141)

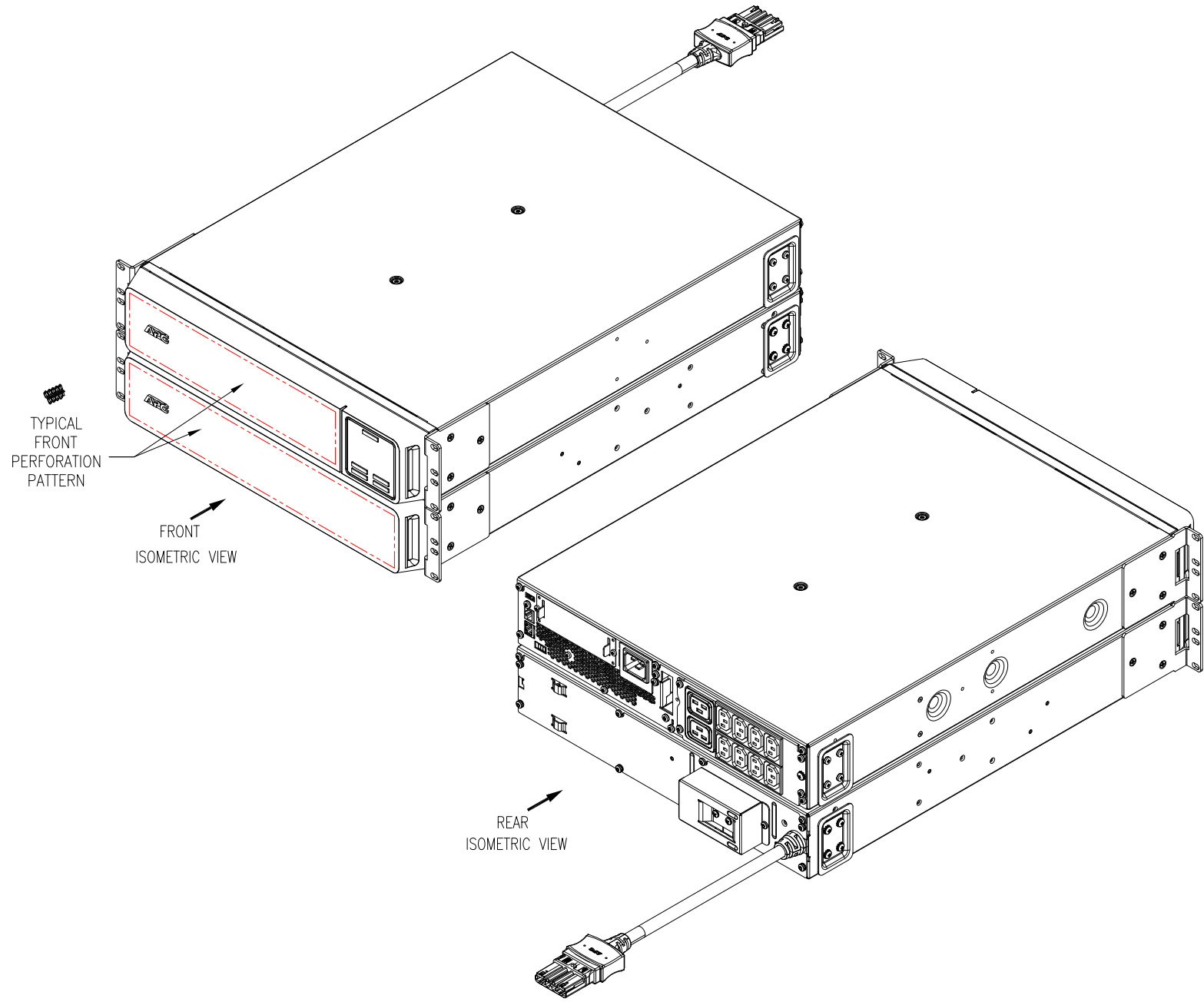
NOTES:

1. INSTALLATION SHALL COMPLY WITH ALL APPLICABLE NATIONAL AND LOCAL ELECTRICAL REGULATIONS.
2. REFER TO PRODUCT MANUALS FOR ADDITIONAL DETAILS.
3. ALL DIMENSIONS ARE IN MILLIMETERS [INCHES], UNLESS OTHERWISE SPECIFIED.
4. CABLE ENTRY IS REAR SIDE OF UNIT.
5. WEIGHT OF UNIT IS 33.9kg [74.7] LBS.
6. THE BATTERY PACK HARNESS LENGTH IS 500 mm [19.7 INCHES]

THIS DRAWING AND SPECIFICATIONS HEREIN ARE THE PROPERTY OF SCHNEIDER ELECTRIC AND SHALL NOT BE COPIED, REPRODUCED OR USED IN WHOLE OR IN PART, AS THE BASIS FOR THE MANUFACTURE OR SALE OF ITEMS WITHOUT WRITTEN PERMISSION FROM SCHNEIDER ELECTRIC. THIS DRAWING IS BASED UPON LATEST AVAILABLE INFORMATION AND IS SUBJECT TO CHANGE WITHOUT NOTICE.



TITLE:	Smart-UPS On-Line (SRT) SRT2200RMXL1+SRT72RMBP - RACK MOUNT INPUT: 220/230/240V, 3W (L+N+G) OUTPUT: 220/230/240V, (8)IEC 320 C13, (2)IEC 320 C19 XBP MAIN MECHANICAL & REPLACEMENT BATTERY CARTRIDGE-(APCRBC141)	DWG NO:	SRT2200RMXL1+SRT72RMBP	REV.	0		
PROJECT:	DRAWINGS	SHEET	5 OF 8	DRAWN:	C KRISHNA	04-NOV-15	FIRST ANGLE PROJECTION
				ENGINEER:	SHANE LEE	04-NOV-15	
				APPROVED:	SHANE LEE	04-NOV-15	



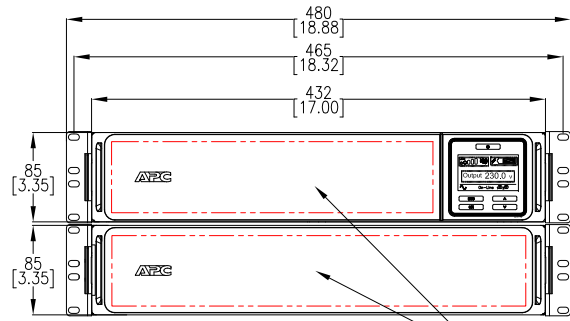
NOTES:

1. INSTALLATION SHALL COMPLY WITH ALL APPLICABLE NATIONAL AND LOCAL ELECTRICAL REGULATIONS.
2. REFER TO PRODUCT MANUALS FOR ADDITIONAL DETAILS.
3. ALL DIMENSIONS ARE IN MILLIMETERS [INCHES], UNLESS OTHERWISE SPECIFIED.

THIS DRAWING AND SPECIFICATIONS HEREIN ARE THE PROPERTY OF SCHNEIDER ELECTRIC AND SHALL NOT BE COPIED, REPRODUCED OR USED IN WHOLE OR IN PART, AS THE BASIS FOR THE MANUFACTURE OR SALE OF ITEMS WITHOUT WRITTEN PERMISSION FROM SCHNEIDER ELECTRIC. THIS DRAWING IS BASED UPON LATEST AVAILABLE INFORMATION AND IS SUBJECT TO CHANGE WITHOUT NOTICE.

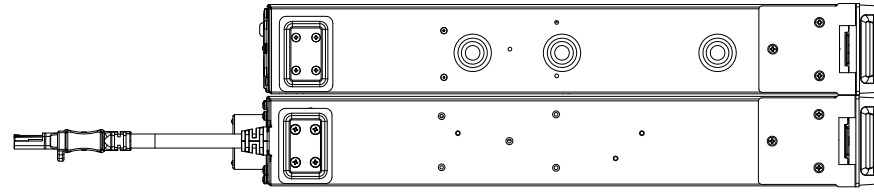


TITLE: Smart-UPS On-Line (SRT) SRT2200RMXL1+SRT72RMBP - RACK MOUNT INPUT: 220/230/240V, 3W (L+N+G) OUTPUT: 220/230/240V, (8)IEC 320 C13, (2)IEC 320 C19 BAYED ISOMETRIC VIEWS	DWG NO:	SRT2200RMXL1+SRT72RMBP	REV:	0
	DRAWN:	C KRISHNA	04-NOV-15	FIRST ANGLE PROJECTION
PROJECT: DRAWINGS SHEET 6 OF 8	ENGINEER:	SHANE LEE	04-NOV-15	
	APPROVED:	SHANE LEE	04-NOV-15	

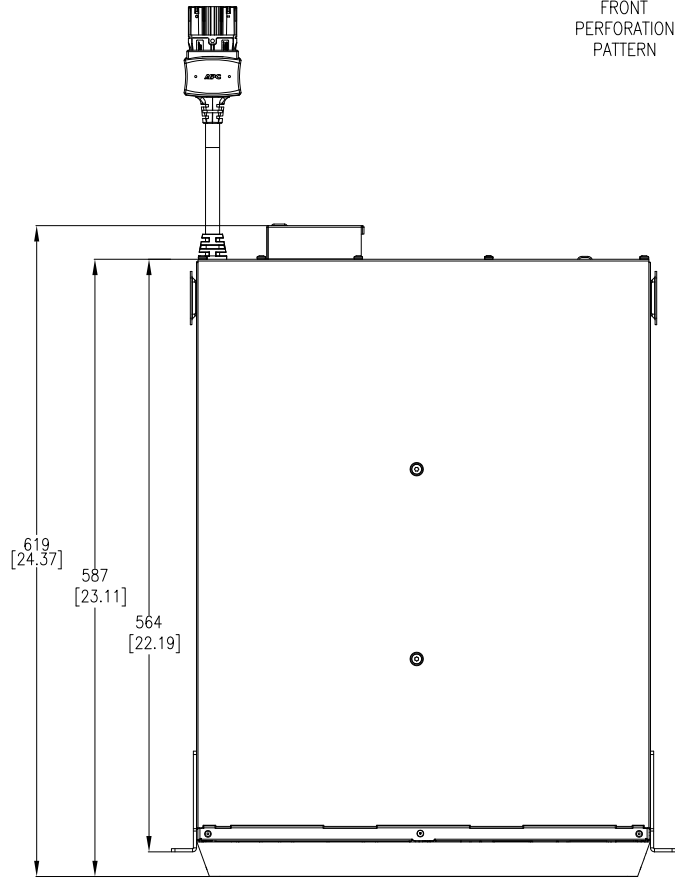


FRONT VIEW

TYPICAL
FRONT
PERFORATION
PATTERN



SIDE VIEW



TOP VIEW

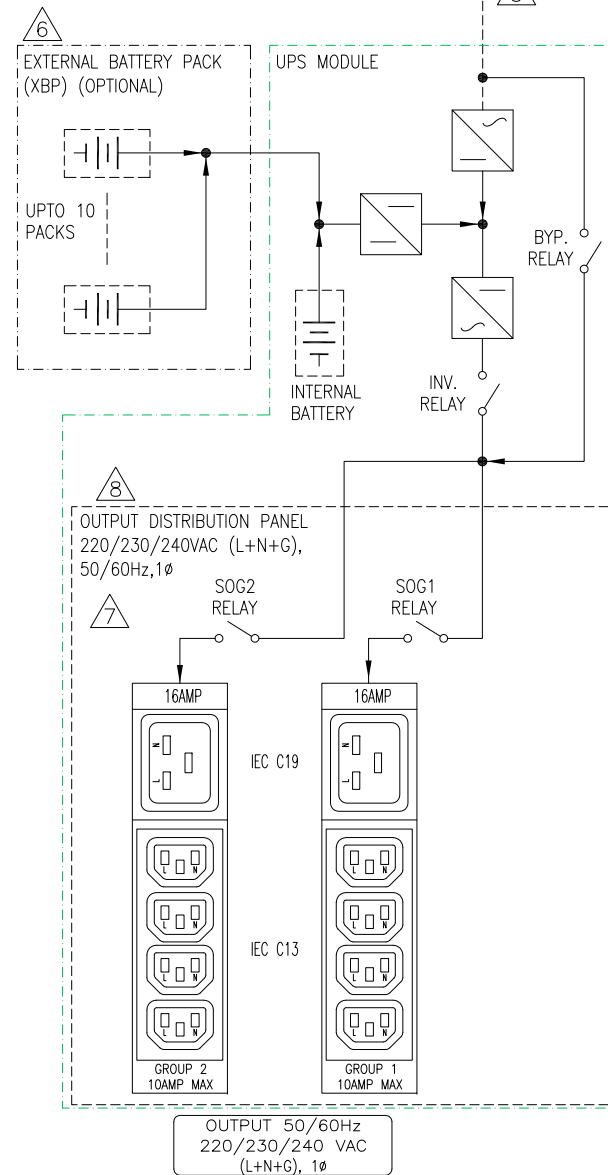
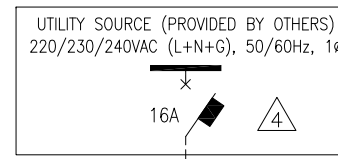
NOTES:

1. INSTALLATION SHALL COMPLY WITH ALL APPLICABLE NATIONAL AND LOCAL ELECTRICAL REGULATIONS.
2. REFER TO PRODUCT MANUALS FOR ADDITIONAL DETAILS.
3. ALL DIMENSIONS ARE IN MILLIMETERS [INCHES], UNLESS OTHERWISE SPECIFIED.

THIS DRAWING AND SPECIFICATIONS HEREIN ARE THE PROPERTY OF SCHNEIDER ELECTRIC AND SHALL NOT BE COPIED, REPRODUCED OR USED IN WHOLE OR IN PART, AS THE BASIS FOR THE MANUFACTURE OR SALE OF ITEMS WITHOUT WRITTEN PERMISSION FROM SCHNEIDER ELECTRIC. THIS DRAWING IS BASED UPON LATEST AVAILABLE INFORMATION AND IS SUBJECT TO CHANGE WITHOUT NOTICE.



TITLE:	Smart-UPS On-Line (SRT) SRT2200RMXL1+SRT72RMBP - RACK MOUNT INPUT: 220/230/240V, 3W (L+N+G) OUTPUT: 220/230/240V, (8)IEC 320 C13, (2)IEC 320 C19 BAYED MAIN MECHANICAL	DWG NO:	SRT2200RMXL1+SRT72RMBP	REV.	0
PROJECT:	DRAWINGS	DRAWN:	C KRISHNA	04-NOV-15	FIRST ANGLE PROJECTION
	SHEET 7 OF 8	ENGINEER:	SHANE LEE	04-NOV-15	
		APPROVED:	SHANE LEE	04-NOV-15	



NOTES:

1. INSTALLATION MUST COMPLY WITH ALL APPLICABLE NATIONAL, STATE AND LOCAL CODES.
2. REFER TO PRODUCT DOCUMENTATION FOR ADDITIONAL DETAILS PRIOR TO INSTALLATION AND SITE PREPARATION WORK.
3. DRAWING DEPICTS POWER SYSTEM CONNECTIONS AND IS NOT REPRESENTATIVE OF PHYSICAL LAYOUT. PLEASE REFER TO MECHANICAL DRAWINGS FOR MORE SPECIFIC PHYSICAL DATA.
- Δ 4. UTILITY SOURCE MUST BE 1 ϕ , 220/230/240VAC (L+N+G), 50/60Hz PROVIDED BY OTHERS.
- Δ 5. DASHED LINES BETWEEN UTILITY SOURCE AND THE UNIT REPRESENTS THE IEC C20 INPUT CORD SET PROVIDED WITH THE UNIT.
- Δ 6. ADDITIONAL EXTERNAL BATTERY PACKS (UP TO 10), CAN BE CONNECTED TO INCREASE THE RUN TIME FURTHER.
- Δ 7. OUTPUT DISTRIBUTION PANEL CONTAINS SWITCHABLE OUTPUT GROUPS. REFER TO INSTALLATION MANUAL FOR DETAILED INSTRUCTIONS.
- Δ 8. OPTIONAL PDU PANELS CAN BE PURCHASED SEPARATELY & INSTALLED TO PROVIDE ALTERNATIVE LOAD CONNECTIONS.
9. INPUT I THD < 5% AT FULL LOAD
10. OUTPUT V THD < 2% LINEAR LOAD, < 5% NON LINEAR LOAD
11. OUTPUT POWER-FACTOR IS 0.9 AT FULL LOAD

THIS DRAWING AND SPECIFICATIONS HEREIN ARE THE PROPERTY OF SCHNEIDER ELECTRIC AND SHALL NOT BE COPIED, REPRODUCED OR USED IN WHOLE OR IN PART, AS THE BASIS FOR THE MANUFACTURE OR SALE OF ITEMS WITHOUT WRITTEN PERMISSION FROM SCHNEIDER ELECTRIC. THIS DRAWING IS BASED UPON LATEST AVAILABLE INFORMATION AND IS SUBJECT TO CHANGE WITHOUT NOTICE.



TITLE: Smart-UPS On-Line (SRT)
SRT2200RMXL1+SRT72RMBP - RACK MOUNT
INPUT: 220/230/240V, 3W (L+N+G)
OUTPUT: 220/230/240V, (8)IEC 320 C13, (2)IEC 320 C19
SYSTEM ONE LINE DIAGRAM

DWG NO: SRT2200RMXL1+SRT72RMBP

REV. 0

DRAWN: C KRISHNA 04-NOV-15

ANGLE PROJECTION

ENGINEER: WILSON CHEN 04-NOV-15

APPROVED: WILSON CHEN 04-NOV-15