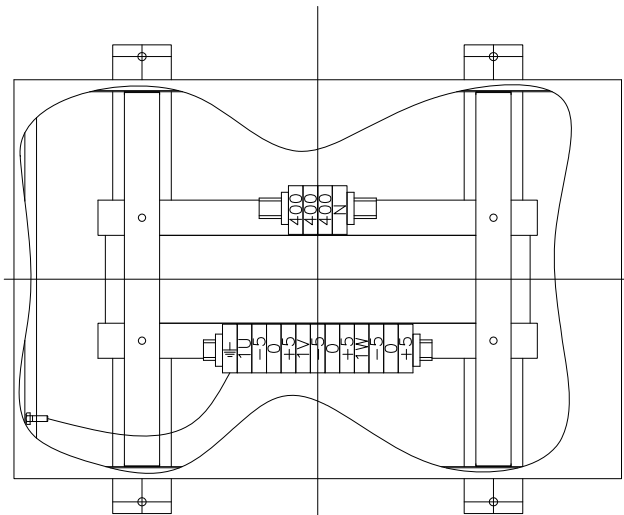
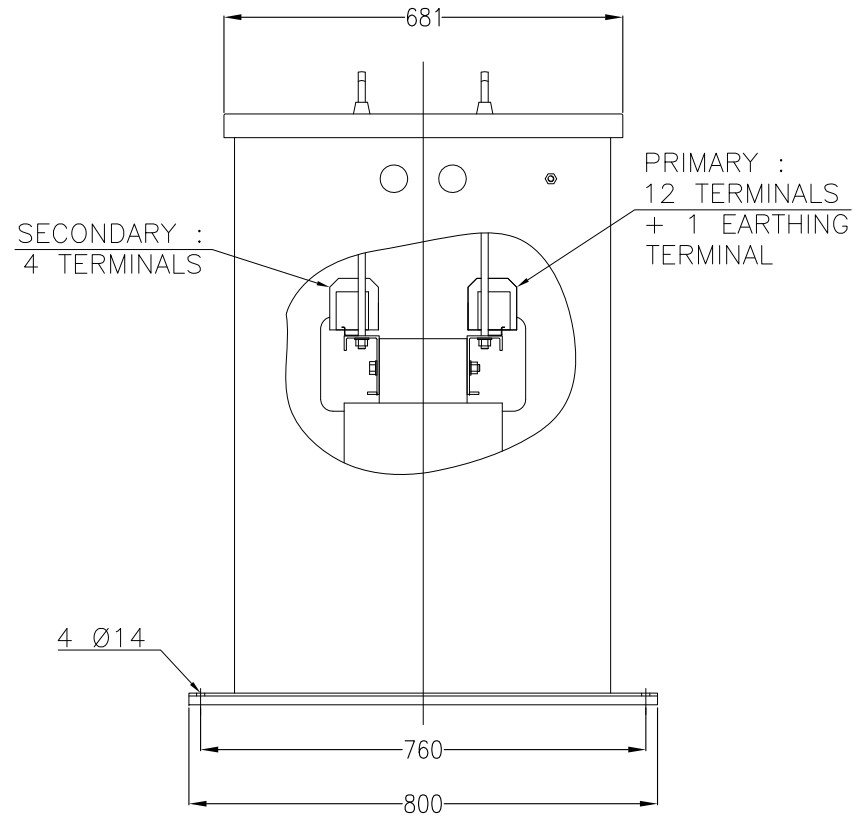


FRONT VIEW



TOP VIEW



SIDE VIEW

NOTES:

1. INSTALLATION SHALL COMPLY WITH ALL APPLICABLE NATIONAL AND LOCAL ELECTRICAL REGULATIONS.
2. PLEASE REFER TO PRODUCT MANUALS FOR ADDITIONAL DETAILS.
3. ALL DIMENSIONS ARE IN MILLIMETERS UNLESS OTHERWISE SPECIFIED.
4. ENCLOSURE COLOR: RAL 7035
5. RECOMMENDED CLEARANCE IS SUBJECT TO NATIONAL AND LOCAL CODES
150mm RECOMMENDED TOP CLEARANCE FOR VENTILATION.
6. OPERATING TEMPERATURE: 0°C MIN. TO 40°C MAX.
RECOMMENDED OPERATING RANGE: 15°C TO 25°C.
7. POWER CABLES SHALL BE IN SEPARATE CONDUITS FROM CONTROL AND COMMUNICATION CABLES.
8. ENCLOSURE PROTECTION RATING IP23.
9. TOTAL WEIGHT OF THE UNIT IS 400 kg.

THIS DRAWING AND SPECIFICATIONS HEREIN ARE THE PROPERTY OF SCHNEIDER ELECTRIC AND SHALL NOT BE COPIED, REPRODUCED OR USED IN WHOLE OR IN PART, AS THE BASIS FOR THE MANUFACTURE OR SALE OF ITEMS WITHOUT WRITTEN PERMISSION FROM SCHNEIDER ELECTRIC. THIS DRAWING IS BASED UPON LATEST AVAILABLE INFORMATION AND IS SUBJECT TO CHANGE WITHOUT NOTICE.



TITLE:

MGE GALAXY 5500
TRANSFORMER
80kVA, 690V/400V

DWG NO: G55TA-T80LEM REV. 0

DRAWN: C KRISHNA 18-FEB-15 FIRST ANGLE PROJECTION

ENGINEER: THIERRY GOVAERT 18-FEB-15

APPROVED: THIERRY GOVAERT 18-FEB-15

PROJECT: SUBMITTAL DRAWINGS SHEET 1 OF 1