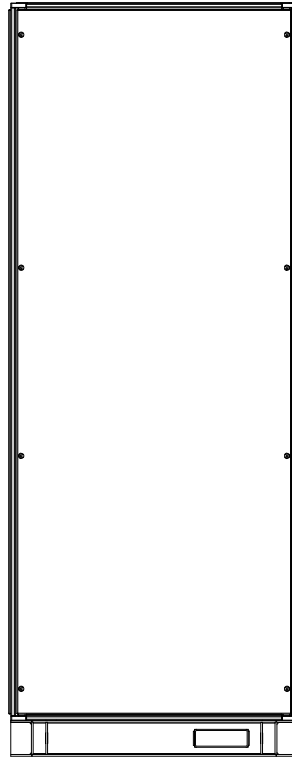
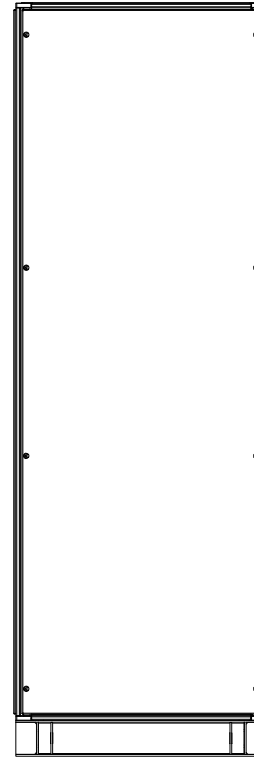


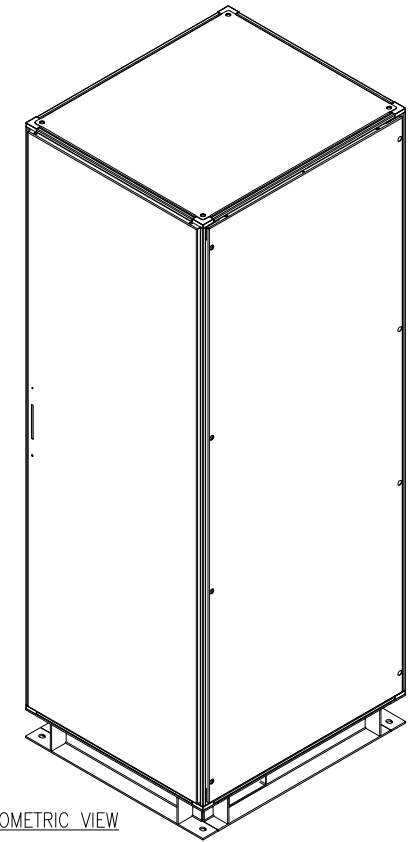
FRONT VIEW



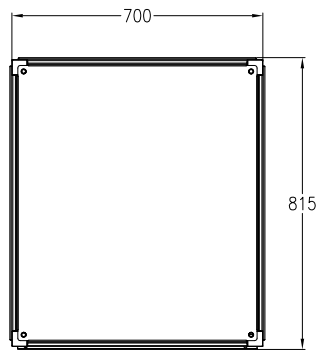
LEFT SIDE VIEW



REAR VIEW



ISOMETRIC VIEW



TOP VIEW

NOTES:

1. INSTALLATION MUST COMPLY ALL APPLICABLE NATIONAL AND LOCAL ELECTRICAL REGULATIONS
2. PLEASE REFER TO PRODUCT MANUAL FOR DETAILED INFORMATION.
3. ALL DIMENSIONS ARE IN MILLIMETERS, UNLESS OTHERWISE SPECIFIED.
4. CABLE ENTRY IS FROM THE BOTTOM SIDE OF THE CABINET.
5. NET WEIGHT OF THE ENCLOSURE IS 110 kg.
6. COG DETAILS.
7. ENCLOSURE COLOR: RAL 7035
8. ENCLOSURE PROTECTION RATING IP 22

THIS DRAWING AND SPECIFICATIONS HEREIN ARE THE PROPERTY OF SCHNEIDER ELECTRIC AND SHALL NOT BE COPIED, REPRODUCED OR USED IN WHOLE OR IN PART, AS THE BASIS FOR THE MANUFACTURE OR SALE OF ITEMS WITHOUT WRITTEN PERMISSION FROM SCHNEIDER ELECTRIC. THIS DRAWING IS BASED UPON LATEST AVAILABLE INFORMATION AND IS SUBJECT TO CHANGE WITHOUT NOTICE.



TITLE:

MGE GALAXY 5500
AUXILIARY CABINET
MAIN MECHANICAL

DWG NO:

G55TE-AA1M

REV. 0

DRAWN: C KRISHNA

18-FEB-15

FIRST

ENGINEER: THIERRY GOVAERT

18-FEB-15

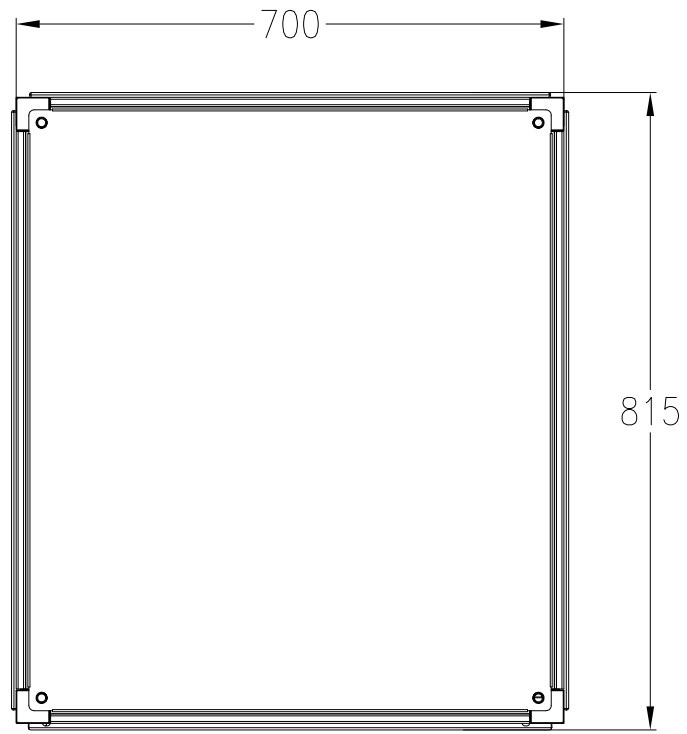
ANGLE

APPROVED: THIERRY GOVAERT

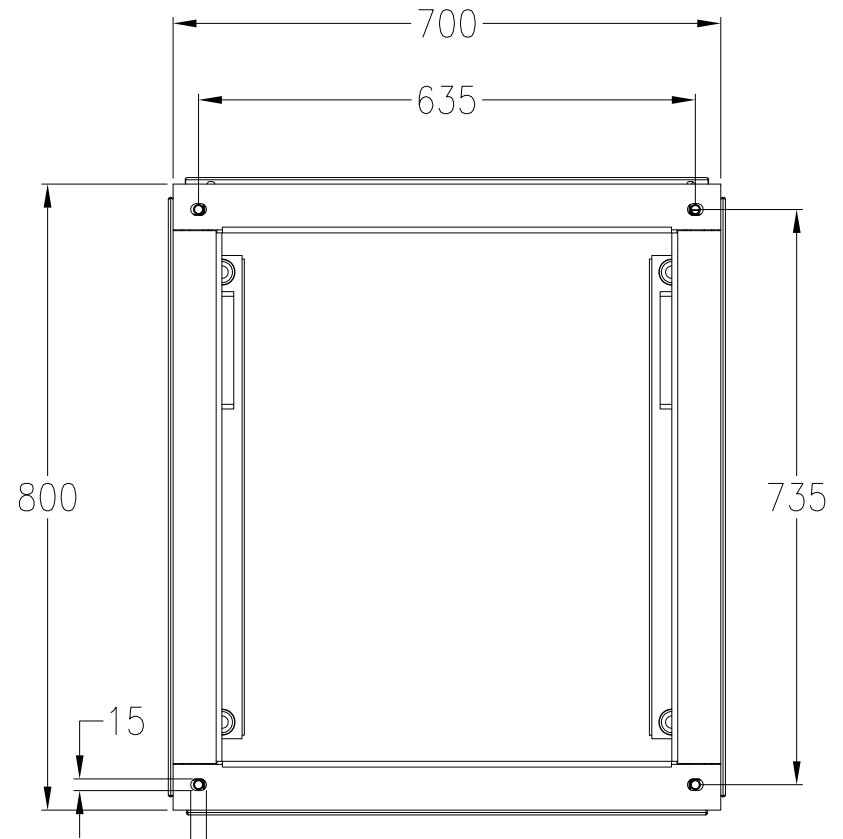
18-FEB-15

PROJECTION

PROJECT: SUBMITTAL DRAWINGS SHEET 1 OF 3



TOP VIEW



BOTTOM VIEW

NOTES:

1. INSTALLATION MUST COMPLY ALL APPLICABLE NATIONAL AND LOCAL ELECTRICAL REGULATIONS
2. PLEASE REFER TO PRODUCT MANUAL FOR DETAILED INFORMATION.
3. ALL DIMENSIONS ARE IN MILLIMETERS. UNLESS OTHERWISE SPECIFIED.

THIS DRAWING AND SPECIFICATIONS HEREIN ARE THE PROPERTY OF SCHNEIDER ELECTRIC AND SHALL NOT BE COPIED, REPRODUCED OR USED IN WHOLE OR IN PART, AS THE BASIS FOR THE MANUFACTURE OR SALE OF ITEMS WITHOUT WRITTEN PERMISSION FROM SCHNEIDER ELECTRIC. THIS DRAWING IS BASED UPON LATEST AVAILABLE INFORMATION AND IS SUBJECT TO CHANGE WITHOUT NOTICE.



TITLE:
MGE GALAXY 5500
AUXILIARY CABINET
TOP AND BOTTOM VIEW

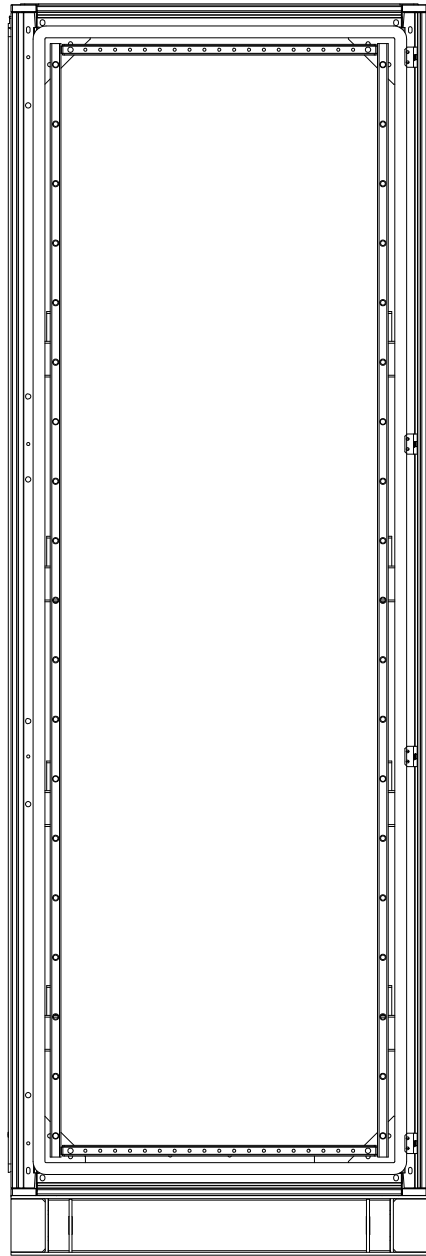
DWG NO: G55TE-AA1M REV. 0

DRAWN: C KRISHNA 18-FEB-15 FIRST ANGLE PROJECTION

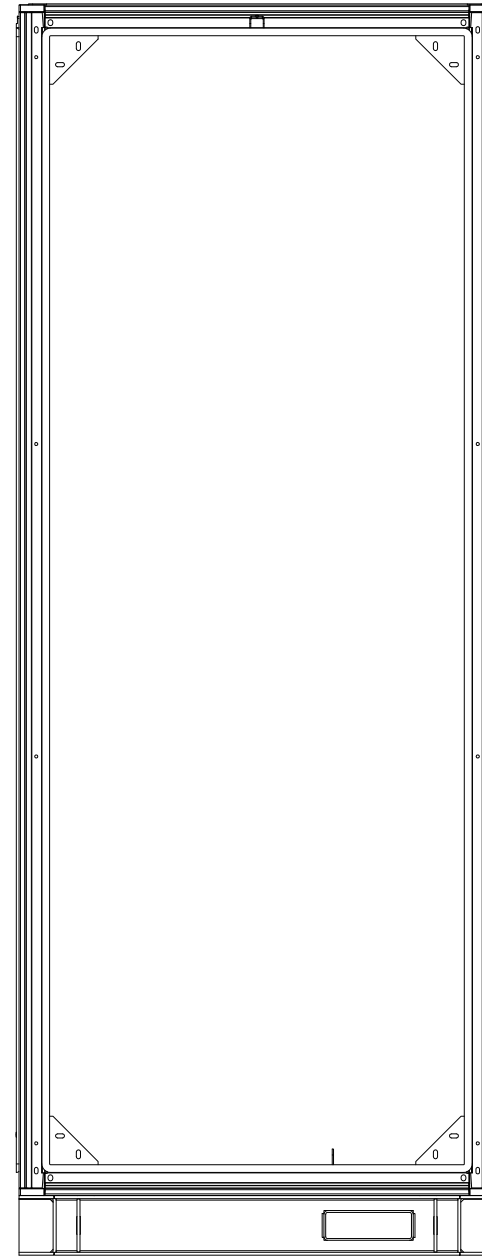
ENGINEER: THIERRY GOVAERT 18-FEB-15

PROJECT: SUBMITTAL DRAWINGS SHEET 2 OF 3

APPROVED: THIERRY GOVAERT 18-FEB-15



FRONT VIEW



LEFT SIDE VIEW

NOTES:

1. INSTALLATION MUST COMPLY ALL APPLICABLE NATIONAL AND LOCAL ELECTRICAL REGULATIONS
2. PLEASE REFER TO PRODUCT MANUAL FOR DETAILED INFORMATION.
3. ALL DIMENSIONS ARE IN MILLIMETERS. UNLESS OTHERWISE SPECIFIED.

THIS DRAWING AND SPECIFICATIONS HEREIN ARE THE PROPERTY OF SCHNEIDER ELECTRIC AND SHALL NOT BE COPIED, REPRODUCED OR USED IN WHOLE OR IN PART, AS THE BASIS FOR THE MANUFACTURE OR SALE OF ITEMS WITHOUT WRITTEN PERMISSION FROM SCHNEIDER ELECTRIC. THIS DRAWING IS BASED UPON LATEST AVAILABLE INFORMATION AND IS SUBJECT TO CHANGE WITHOUT NOTICE.



TITLE:

MGE GALAXY 5500
AUXILIARY CABINET
INTERNAL VIEW

DWG NO:

G55TE-AA1M

REV. 0

DRAWN:

C KRISHNA

18-FEB-15

ENGINEER:

THIERRY GOVAERT

18-FEB-15

APPROVED:

THIERRY GOVAERT

18-FEB-15

PROJECT: SUBMITTAL DRAWINGS SHEET 3 OF 3

FIRST
ANGLE
PROJECTION