

- NOTES:
1. INSTALLATION SHALL COMPLY WITH ALL APPLICABLE NATIONAL, STATE AND LOCAL ELECTRICAL REGULATIONS.
 2. PLEASE REFER TO PRODUCT MANUALS FOR ADDITIONAL DETAILS PRIOR TO INSTALLATION AND SITE PREPARATION WORK.

THIS DRAWING AND SPECIFICATIONS HEREIN ARE THE PROPERTY OF SCHNEIDER ELECTRIC AND SHALL NOT BE COPIED, REPRODUCED OR USED IN WHOLE OR IN PART, AS THE BASIS FOR THE MANUFACTURE OR SALE OF ITEMS WITHOUT WRITTEN PERMISSION FROM SCHNEIDER ELECTRIC. THIS DRAWING IS BASED UPON LATEST AVAILABLE INFORMATION AND IS SUBJECT TO CHANGE WITHOUT NOTICE.

Schneider Electric

TITLE: SYMMETRA PX ET ACCESSORIES
SYMMETRA PX ET 96/160 kW
WALL-MOUNTED MAINTENANCE BYPASS PANEL, 400V
ISOMETRIC VIEW

DWG NO: SYWMBP96K160H2

REV. 0

DRAWN: C KRISHNA 18-MAR-14

FIRST

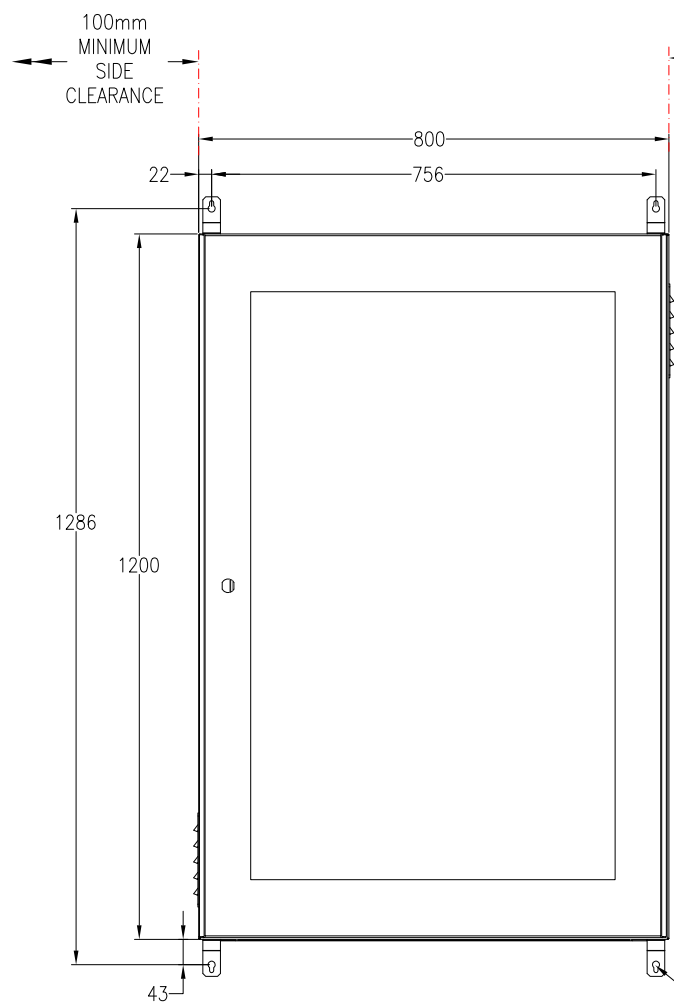
ENGINEER: MATTHIEU SAAS 18-MAR-14

ANGLE

APPROVED: MATTHIEU SAAS 18-MAR-14

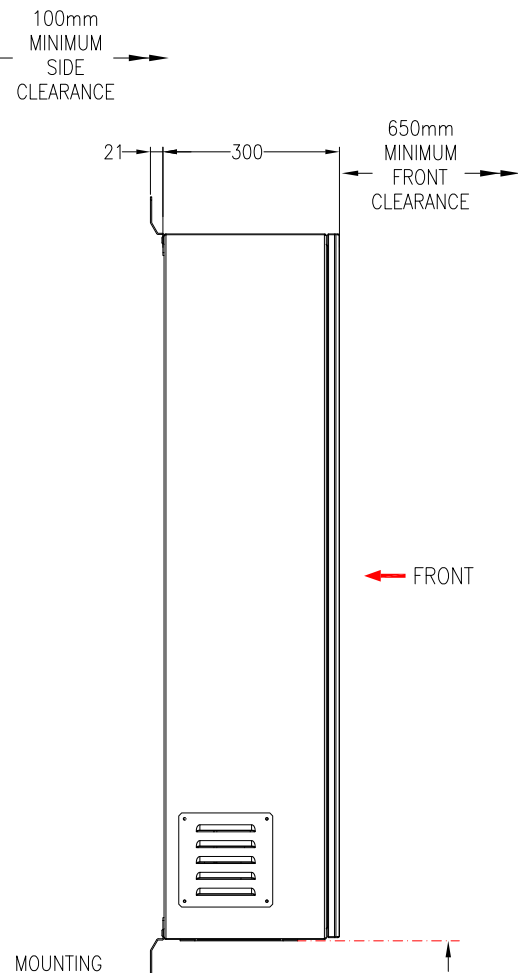
PROJECTION

PROJECT: SUBMITTAL DRAWINGS SHEET 1 OF 5



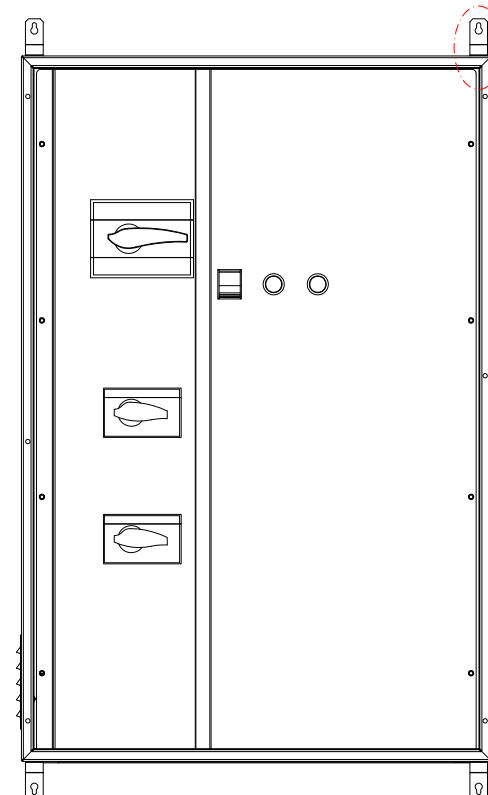
FRONT VIEW

MOUNTING BRACKET (4 PLACES)

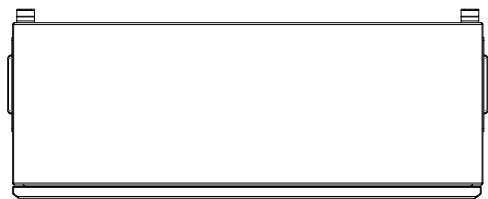
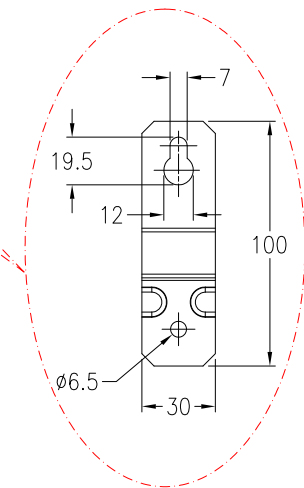


LEFT SIDE VIEW

FRONT



FRONT VIEW WITHOUT FRONT DOOR



TOP VIEW

NOTES:

1. INSTALLATION SHALL COMPLY WITH ALL APPLICABLE NATIONAL, STATE AND LOCAL ELECTRICAL REGULATIONS.
2. PLEASE REFER TO PRODUCT MANUALS FOR ADDITIONAL DETAILS PRIOR TO INSTALLATION AND SITE PREPARATION WORK.
3. ALL DIMENSIONS ARE IN MILLIMETERS.
4. CABLE ENTRY IS THROUGH THE BOTTOM OF UNIT.
5. FRONT SERVICE ACCESS IS REQUIRED.
6. NET WEIGHT OF THE UNIT IS 90 kg.

THIS DRAWING AND SPECIFICATIONS HEREIN ARE THE PROPERTY OF SCHNEIDER ELECTRIC AND SHALL NOT BE COPIED, REPRODUCED OR USED IN WHOLE OR IN PART, AS THE BASIS FOR THE MANUFACTURE OR SALE OF ITEMS WITHOUT WRITTEN PERMISSION FROM SCHNEIDER ELECTRIC. THIS DRAWING IS BASED UPON LATEST AVAILABLE INFORMATION AND IS SUBJECT TO CHANGE WITHOUT NOTICE.



TITLE: SYMMETRA PX ET ACCESSORIES
SYMMETRA PX ET 96/160 kW
WALL-MOUNTED MAINTENANCE BYPASS PANEL,400V
GENERAL ARRANGEMENT

DWG NO: SYWMBP96K160H2

REV: 0

DRAWN: C KRISHNA 18-MAR-14

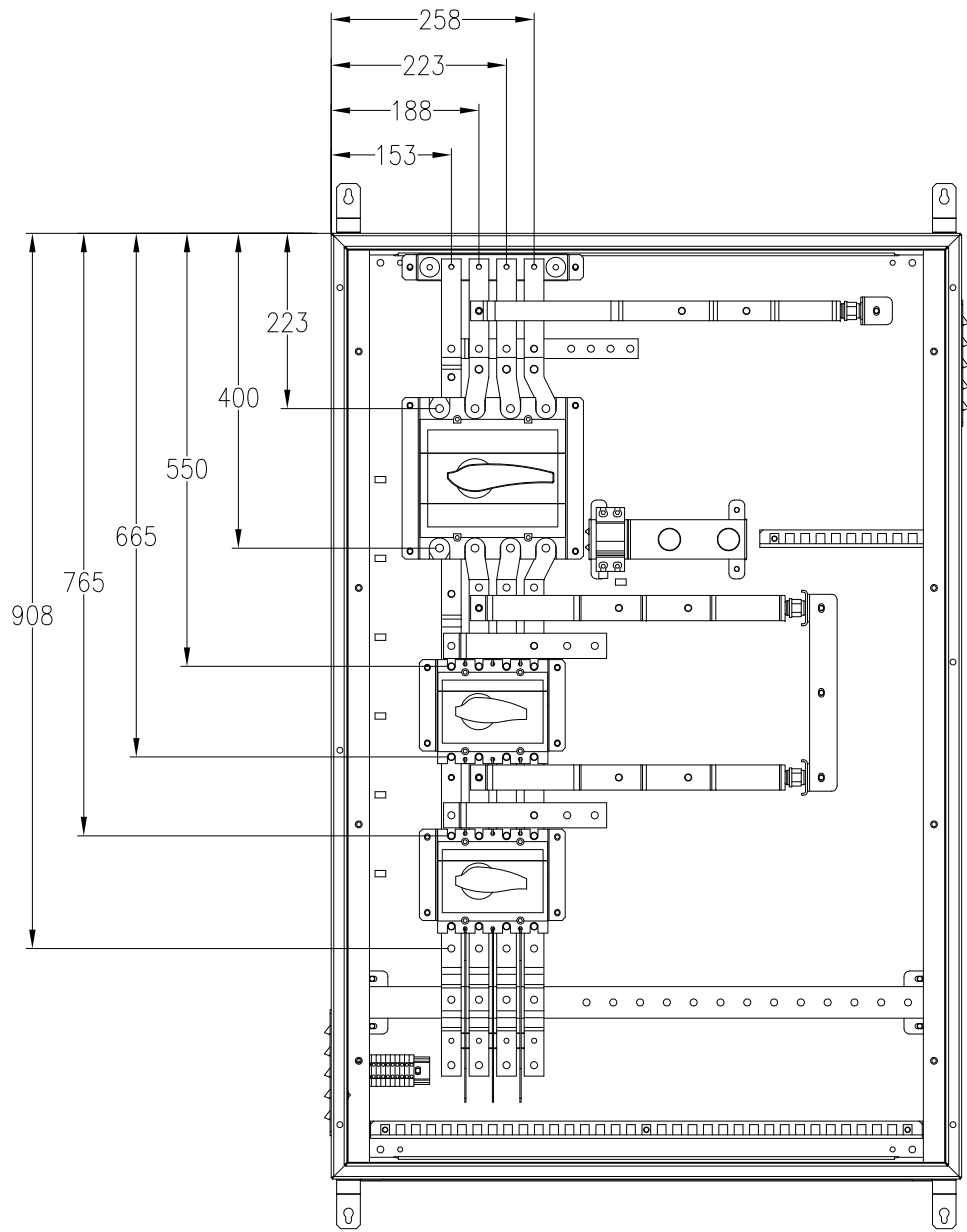
FIRST ANGLE

ENGINEER: MATTHIEU SAAS 18-MAR-14

PROJECTION:

APPROVED: MATTHIEU SAAS 18-MAR-14

PROJECT: SUBMITTAL DRAWINGS SHEET 2 OF 5



FRONT VIEW
(FRONT PANELS NOT SHOWN)

- NOTES:**
1. INSTALLATION SHALL COMPLY WITH ALL APPLICABLE NATIONAL, STATE AND LOCAL ELECTRICAL REGULATIONS.
 2. PLEASE REFER TO PRODUCT MANUALS FOR ADDITIONAL DETAILS PRIOR TO INSTALLATION AND SITE PREPARATION WORK.
 3. ALL DIMENSIONS ARE IN MILLIMETERS.

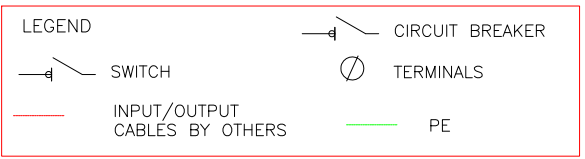
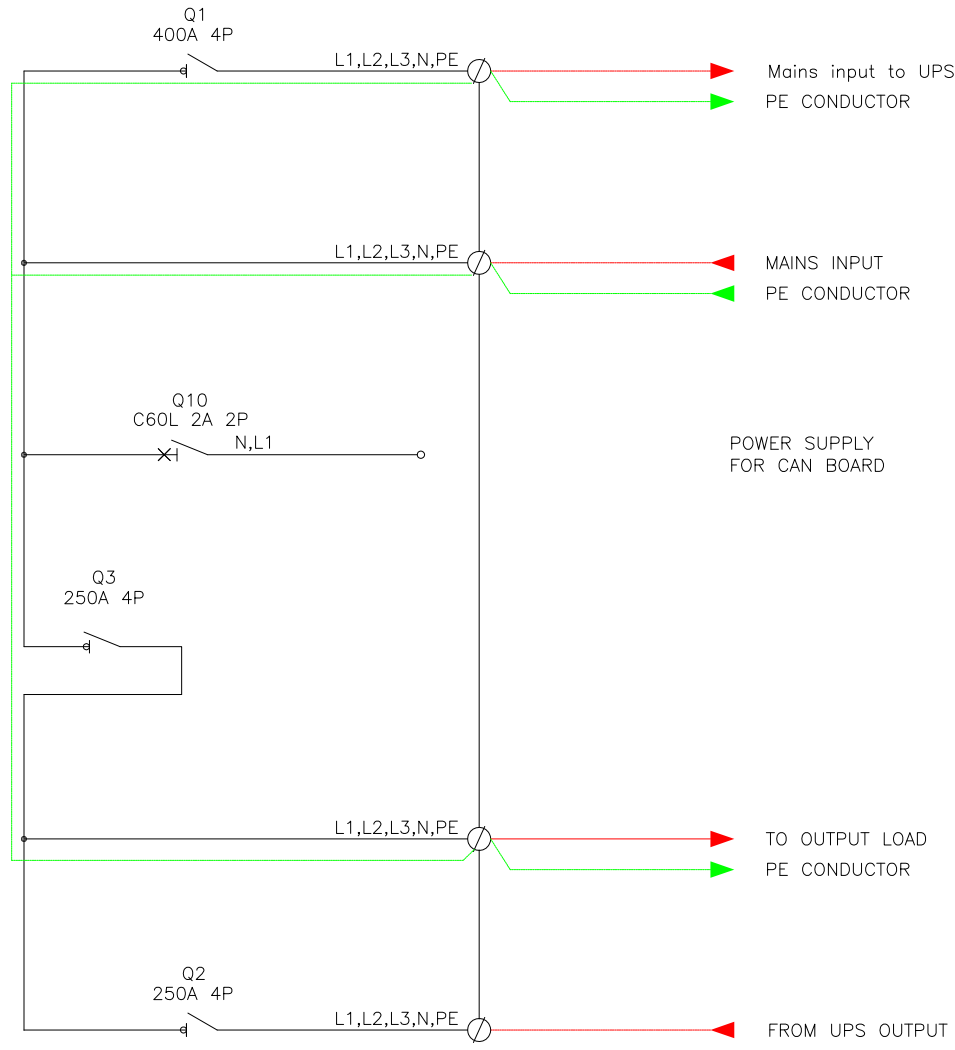
THIS DRAWING AND SPECIFICATIONS HEREIN ARE THE PROPERTY OF SCHNEIDER ELECTRIC AND SHALL NOT BE COPIED, REPRODUCED OR USED IN WHOLE OR IN PART, AS THE BASIS FOR THE MANUFACTURE OR SALE OF ITEMS WITHOUT WRITTEN PERMISSION FROM SCHNEIDER ELECTRIC. THIS DRAWING IS BASED UPON LATEST AVAILABLE INFORMATION AND IS SUBJECT TO CHANGE WITHOUT NOTICE.



TITLE: SYMMETRA PX ET ACCESSORIES
SYMMETRA PX ET 96/160 HW
WALL-MOUNTED MAINTENANCE BYPASS PANEL,400V
INTERNAL VIEW

DWG NO: SYWMBP96K160H2
DRAWN: C KRISHNA
ENGINEER: MATTHIEU SAAS
APPROVED: MATTHIEU SAAS

REV: 0
18-MAR-14
18-MAR-14
18-MAR-14
FIRST ANGLE PROJECTION



NOTES:
 1. INSTALLATION SHALL COMPLY WITH ALL APPLICABLE NATIONAL, STATE AND LOCAL ELECTRICAL REGULATIONS.
 2. PLEASE REFER TO PRODUCT MANUALS FOR ADDITIONAL DETAILS PRIOR TO INSTALLATION AND SITE PREPARATION WORK.
 3. FOR A MAXIMUM SHORT-CIRCUIT WITHSTAND HIGHER THAN 13KA, IT IS MANDATORY TO INSTALL A CIRCUIT BREAKER UPSTREAM OF THE MAINTENANCE BYPASS ENCLOSURE. RECOMMENDED PROTECTION:
 NSX250F TMD200 3P FOR A 96KW SYSTEM
 NSX400F MIC2.3 3P 320A SETTING FOR A 160KW SYSTEM

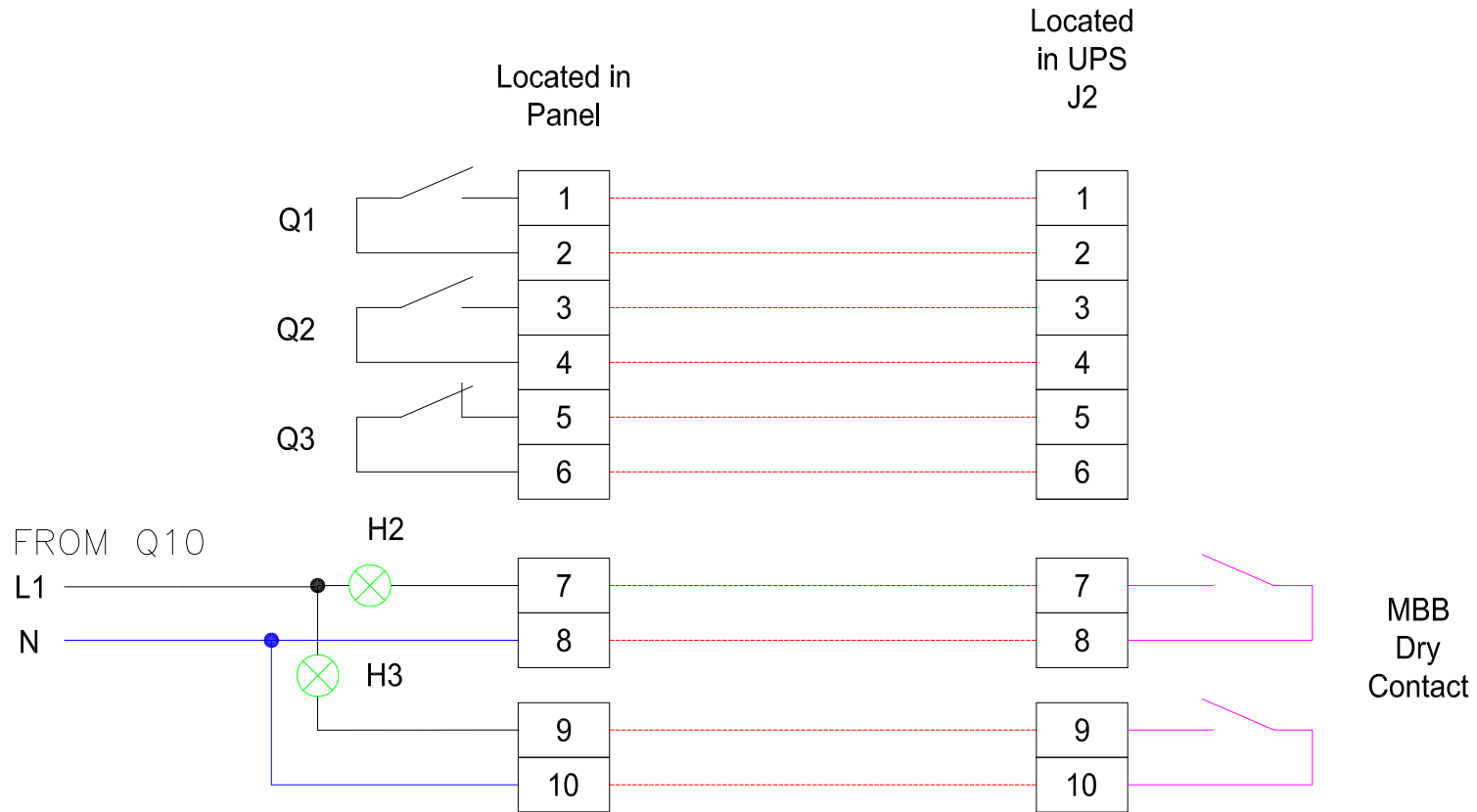
THIS DRAWING AND SPECIFICATIONS HEREIN ARE THE PROPERTY OF SCHNEIDER ELECTRIC AND SHALL NOT BE COPIED, REPRODUCED OR USED IN WHOLE OR IN PART, AS THE BASIS FOR THE MANUFACTURE OR SALE OF ITEMS WITHOUT WRITTEN PERMISSION FROM SCHNEIDER ELECTRIC. THIS DRAWING IS BASED UPON LATEST AVAILABLE INFORMATION AND IS SUBJECT TO CHANGE WITHOUT NOTICE.



TITLE: SYMMETRA PX ET ACCESSORIES
 SYMMETRA PX ET 96/160 kW
 WALL-MOUNTED MAINTENANCE BYPASS PANEL,400V
 POWER CIRCUIT

DWG NO: SYWMBP96K160H2
 DRAWN: C KRISHNA
 ENGINEER: MATTHIEU SAAS
 APPROVED: MATTHIEU SAAS

REV: 0
 18-MAR-14
 18-MAR-14
 18-MAR-14
 ANGLE PROJECTION
 N/A



THIS DRAWING AND SPECIFICATIONS HEREIN ARE THE PROPERTY OF SCHNEIDER ELECTRIC AND SHALL NOT BE COPIED, REPRODUCED OR USED IN WHOLE OR IN PART, AS THE BASIS FOR THE MANUFACTURE OR SALE OF ITEMS WITHOUT WRITTEN PERMISSION FROM SCHNEIDER ELECTRIC. THIS DRAWING IS BASED UPON LATEST AVAILABLE INFORMATION AND IS SUBJECT TO CHANGE WITHOUT NOTICE.



TITLE: SYMMETRA PX ET ACCESSORIES
SYMMETRA PX ET 96/160 kW
WALL-MOUNTED MAINTENANCE BYPASS PANEL, 400V
CONTROL CONNECTION

DWG NO: SYWMBP96K160H2

REV. 0

DRAWN: C KRISHNA 18-MAR-14

ANGLE

ENGINEER: MATTHIEU SAAS 18-MAR-14

PROJECTION

PROJECT: SUBMITTAL DRAWINGS SHEET 5 OF 5

APPROVED: MATTHIEU SAAS 18-MAR-14

N/A