
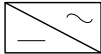

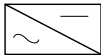
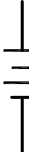


Smart-UPS On-Line

Sheet No.	Component /Detail	Description
1	Draw ing Guide	APC Smart-UPS RT 20kVA RM 208V
2	Isometric View	APC Smart-UPS RT 20kVA RM 208V
3	Main Mechanical	APC Smart-UPS RT 20kVA RM 208V
4	Top and Bottom view s	APC Smart-UPS RT 20kVA RM 208V
5	Internal View s	APC Smart-UPS RT 20kVA RM 208V
6	Input and output details	APC Smart-UPS RT 20kVA RM 208V
7	System One Line Diagram	APC Smart-UPS RT 20kVA RM 208V

LEGEND			
SYMBOL	DESCRIPTION	SYMBOL	DESCRIPTION
	CIRCUIT BREAKER		INVERTER
	SWITCH		CONVERTER
	BATTERY		

THIS DRAWING AND SPECIFICATIONS HEREIN ARE THE PROPERTY OF SCHNEIDER ELECTRIC AND SHALL NOT BE COPIED, REPRODUCED OR USED IN WHOLE OR IN PART, AS THE BASIS FOR THE MANUFACTURE OR SALE OF ITEMS WITHOUT WRITTEN PERMISSION FROM SCHNEIDER ELECTRIC. THIS DRAWING IS BASED UPON LATEST AVAILABLE INFORMATION AND IS SUBJECT TO CHANGE WITHOUT NOTICE.



TITLE: Smart-UPS On-Line
 INPUT: 208VAC(2PH+G) 60Hz
 OUTPUT:208VAC(2PH+G) 60Hz
 DRAWING GUIDE

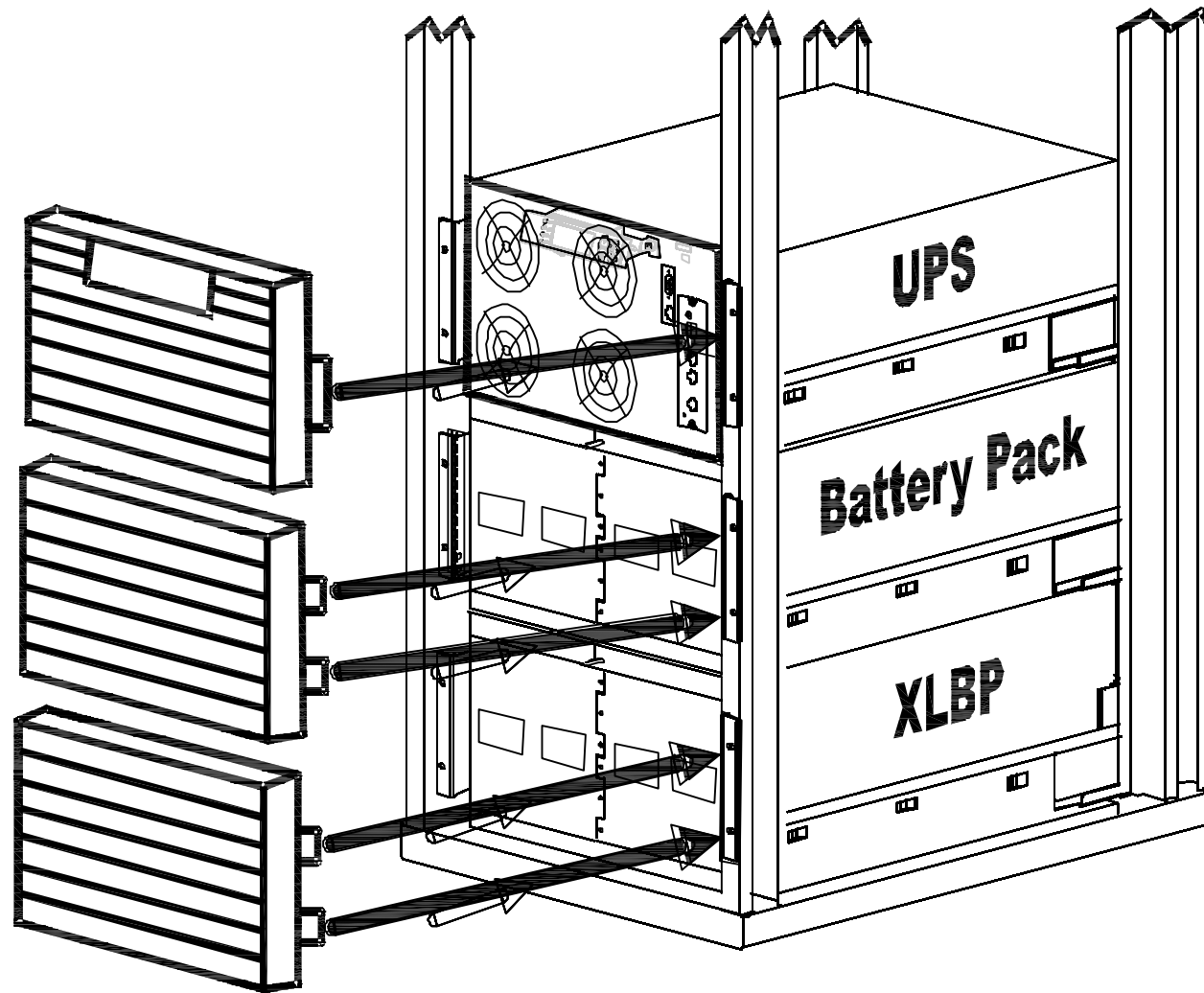
PROJECT: DRAWINGS SHEET 1 OF 7

DWG NO: SURT20KRMXLT

DRAWN:	C KRISHNA	25-JAN-13
ENGINEER:	E KOTLYAR	25-JAN-13
APPROVED:	J.PRECOPIO	25-JAN-13

REV. 0

THIRD ANGLE PROJECTION



ISOMETRIC VIEW

NOTES:

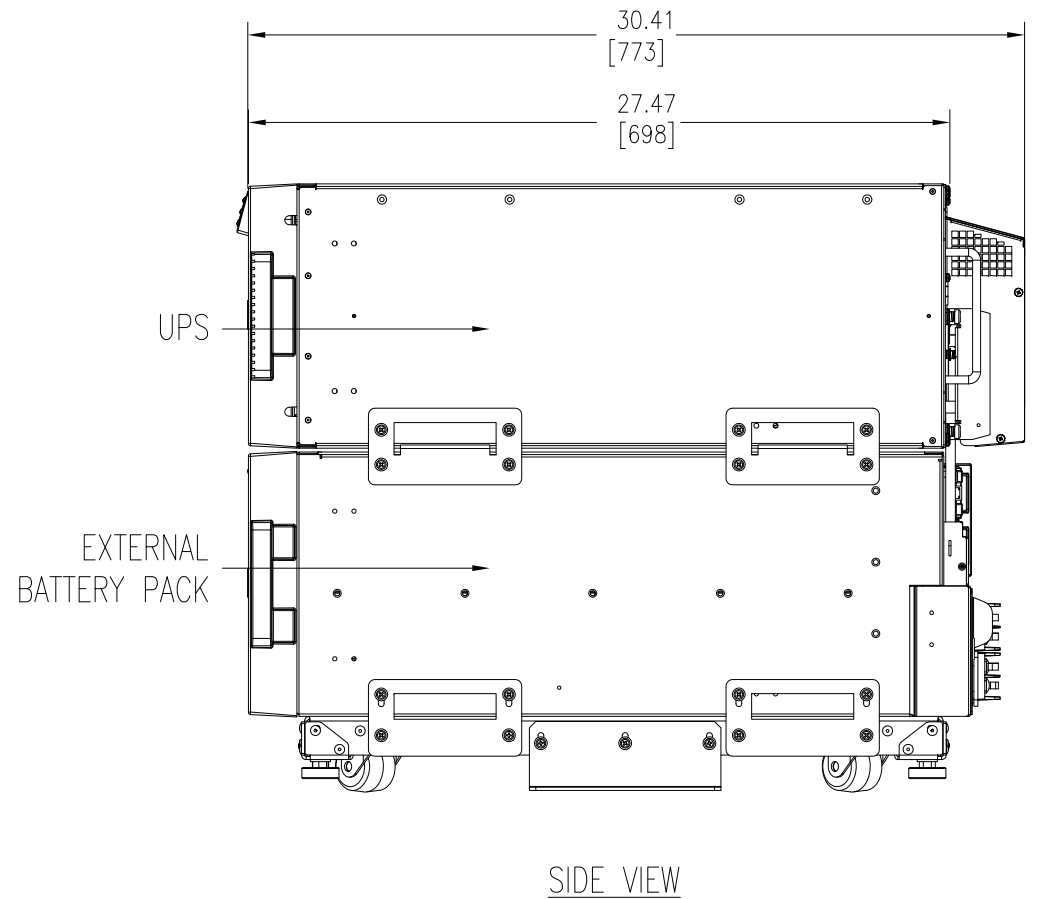
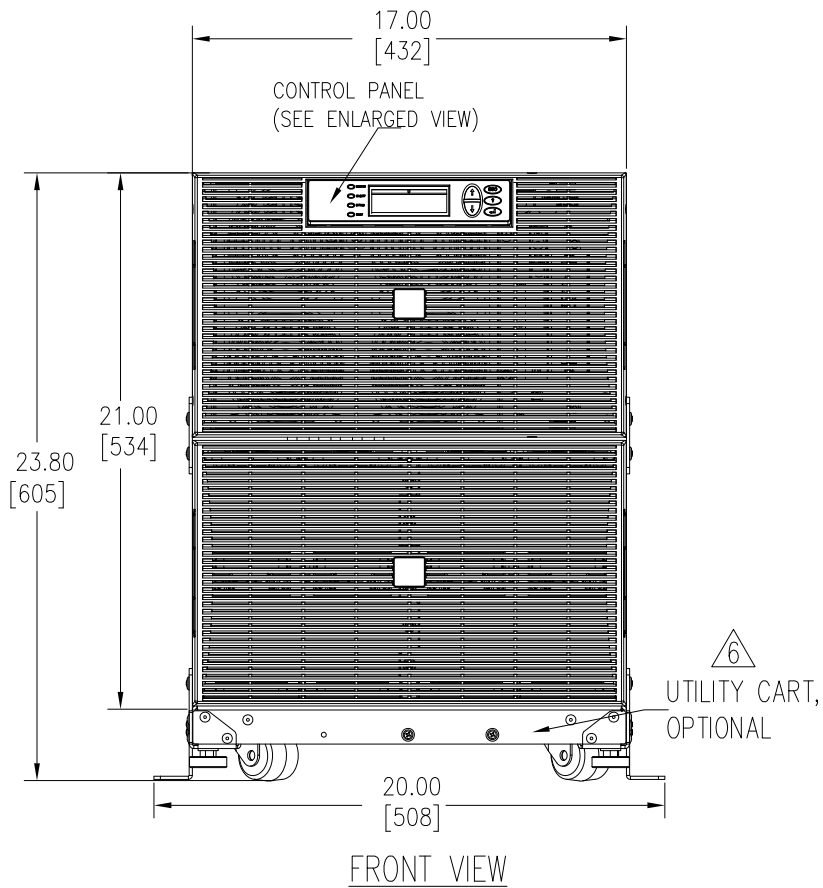
1. INSTALLATION MUST COMPLY WITH ALL APPLICABLE NATIONAL, STATE AND LOCAL CODES.
2. REFER TO PRODUCT DOCUMENTATION FOR ADDITIONAL DETAILS PRIOR TO INSTALLATION AND SITE PREPARATION WORK.
3. COLOR - BLACK
4. PROTECTION CLASS- IP20.

THIS DRAWING AND SPECIFICATIONS HEREIN ARE THE PROPERTY OF SCHNEIDER ELECTRIC AND SHALL NOT BE COPIED, REPRODUCED OR USED IN WHOLE OR IN PART, AS THE BASIS FOR THE MANUFACTURE OR SALE OF ITEMS WITHOUT WRITTEN PERMISSION FROM SCHNEIDER ELECTRIC. THIS DRAWING IS BASED UPON LATEST AVAILABLE INFORMATION AND IS SUBJECT TO CHANGE WITHOUT NOTICE.



TITLE: Smart-UPS On-Line
 INPUT: 208VAC(2PH+G) 60Hz
 OUTPUT: 208VAC(2PH+G) 60Hz
 ISOMETRIC VIEWS

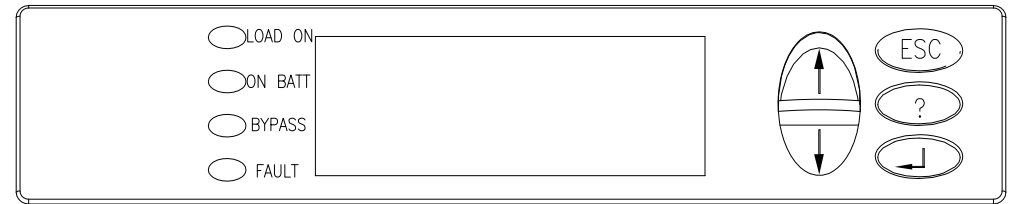
DWG NO:	SURT20KRMXL	REV.	0
DRAWN:	C KRISHNA	25-JAN-13	THIRD ANGLE PROJECTION
ENGINEER:	E KOTLYAR	25-JAN-13	
APPROVED:	J.PRECOPIO	25-JAN-13	



Flore Loading Data			
UPS	Dimensions H x W x D Inch[mm]	Weight in LBS [Kg]	Floor Loading lbs/ft ² [kg / m ²]
SURT20KRMXL	20.98x17x30.43[533x432x773]	545[247.73]	152[793]

NOTES:

1. INSTALLATION MUST COMPLY WITH ALL APPLICABLE NATIONAL, STATE AND LOCAL CODES.
2. REFER TO PRODUCT DOCUMENTATION FOR ADDITIONAL DETAILS PRIOR TO INSTALLATION AND SITE PREPARATION WORK.
3. ALL DIMENSIONS ARE IN INCHES [MILLIMETERS].
4. UPS WEIGHT 145 LBS [66.0kg].
BATTERY PACK WEIGHT WITH 8 BATTERY MODULES 400 LBS [181.0kg].
BATTERY PACK WEIGHT WITHOUT BATTERY MODULES 96 LBS [44.0kg].
EACH BATTERY MODULE WEIGHT 38 LBS [17.0kg].
TOTAL WEIGHT OF UNIT IS 545 LBS [247.73 kg].
OPTIONAL UTILITY CART SURT013 ADDS A FURTHER 34 LBS [15kg] TO THE TOTAL WEIGHT WHEN USED.
5. CABLE ENTRY IS FROM REAR SIDE OF THE UNIT.
- △6. UTILITY CART CAN BE ORDERED SEPARATELY AS SURT013 SKU NUMBER
7. THIS DRAWING PROVIDES INFORMATION FOR 15kVA AND 20kVA SURT PRODUCT
8. THE MAXIMUM SINGLE STACKABLE CONFIGURATION IS AN ADDITIONAL XLBP BATTERY PACK PLUS THE UPS AND ITS ASSOCIATED BATTERY PACK.
9. OPERATING TEMPERATURE - 32°F [0°C] MIN. TO 104°F [40°C]



THIS DRAWING AND SPECIFICATIONS HEREIN ARE THE PROPERTY OF SCHNEIDER ELECTRIC AND SHALL NOT BE COPIED, REPRODUCED OR USED IN WHOLE OR IN PART, AS THE BASIS FOR THE MANUFACTURE OR SALE OF ITEMS WITHOUT WRITTEN PERMISSION FROM SCHNEIDER ELECTRIC. THIS DRAWING IS BASED UPON LATEST AVAILABLE INFORMATION AND IS SUBJECT TO CHANGE WITHOUT NOTICE.



TITLE: Smart-UPS On-Line
INPUT: 208VAC(2PH+G) 60Hz
OUTPUT: 208VAC(2PH+G) 60Hz
MAIN MECHANICAL

PROJECT: DRAWINGS SHEET 3 OF 7

DWG NO: SURT20KRMXL

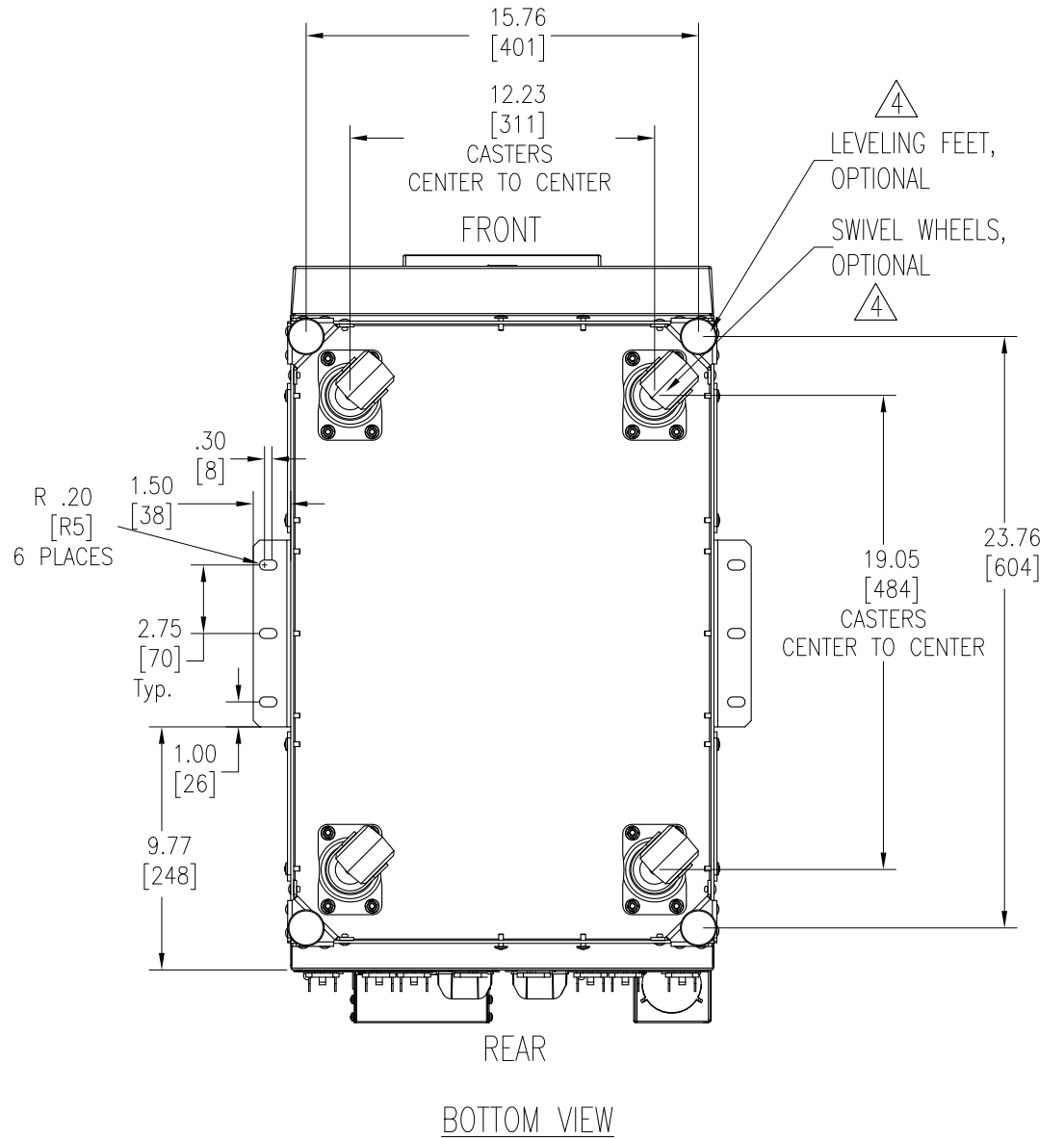
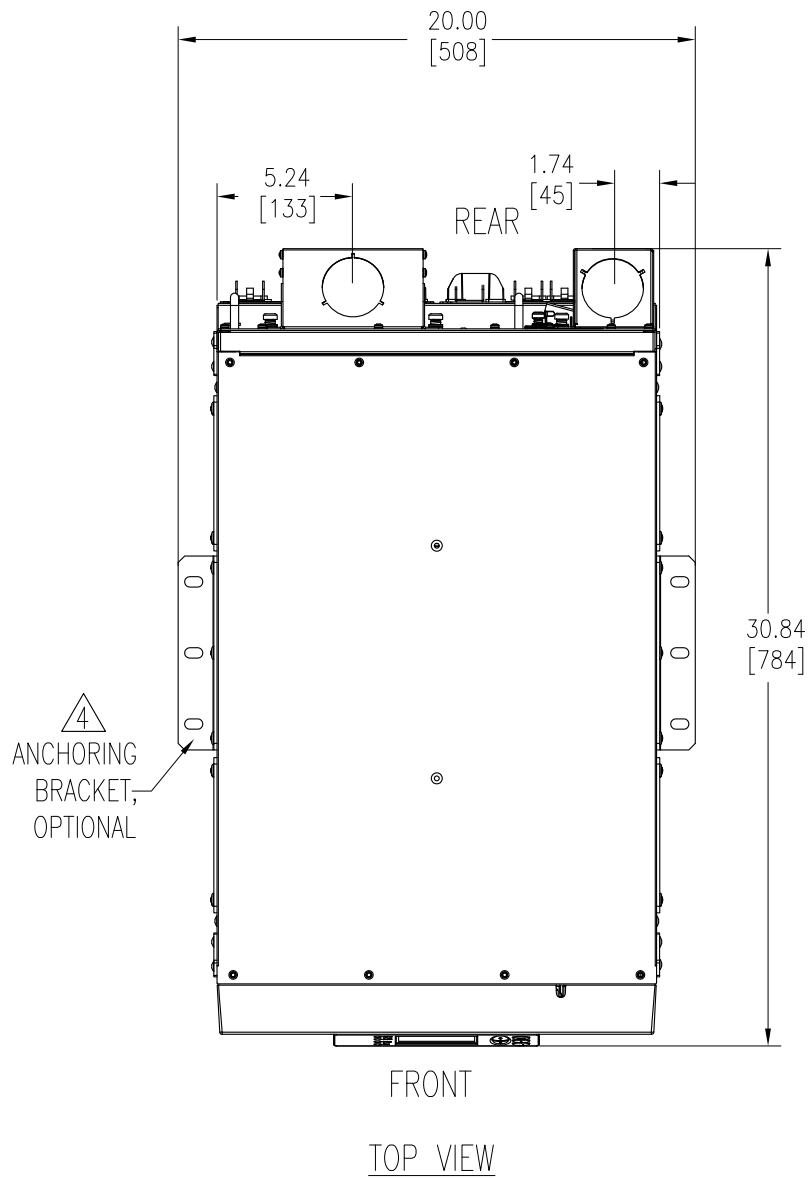
DRAWN: C KRISHNA 12-MAR-15

ENGINEER: E KOTLYAR 12-MAR-15

APPROVED: J.PRECOPIO 12-MAR-15

REV. 1

THIRD ANGLE PROJECTION



NOTES:

1. INSTALLATION MUST COMPLY WITH ALL APPLICABLE NATIONAL, STATE AND LOCAL CODES.
2. REFER TO PRODUCT DOCUMENTATION FOR ADDITIONAL DETAILS PRIOR TO INSTALLATION AND SITE PREPARATION WORK.
- Δ 3. ALL DIMENSIONS ARE IN INCHES [MILLIMETERS].
4. ANCHORING BRACKET, SWIVEL WHEELS AND LEVELING FEET CAN BE ORDERED SEPARATELY AS PART OF SURT013 UTILITY CART

THIS DRAWING AND SPECIFICATIONS HEREIN ARE THE PROPERTY OF SCHNEIDER ELECTRIC AND SHALL NOT BE COPIED, REPRODUCED OR USED IN WHOLE OR IN PART, AS THE BASIS FOR THE MANUFACTURE OR SALE OF ITEMS WITHOUT WRITTEN PERMISSION FROM SCHNEIDER ELECTRIC. THIS DRAWING IS BASED UPON LATEST AVAILABLE INFORMATION AND IS SUBJECT TO CHANGE WITHOUT NOTICE.



TITLE: Smart-UPS On-Line
INPUT: 208VAC(2PH+G) 60Hz
OUTPUT: 208VAC(2PH+G) 60Hz
TOP AND BOTTOM VIEWS

PROJECT: DRAWINGS SHEET 4 OF 7

DWG NO: SURT20KRMXL

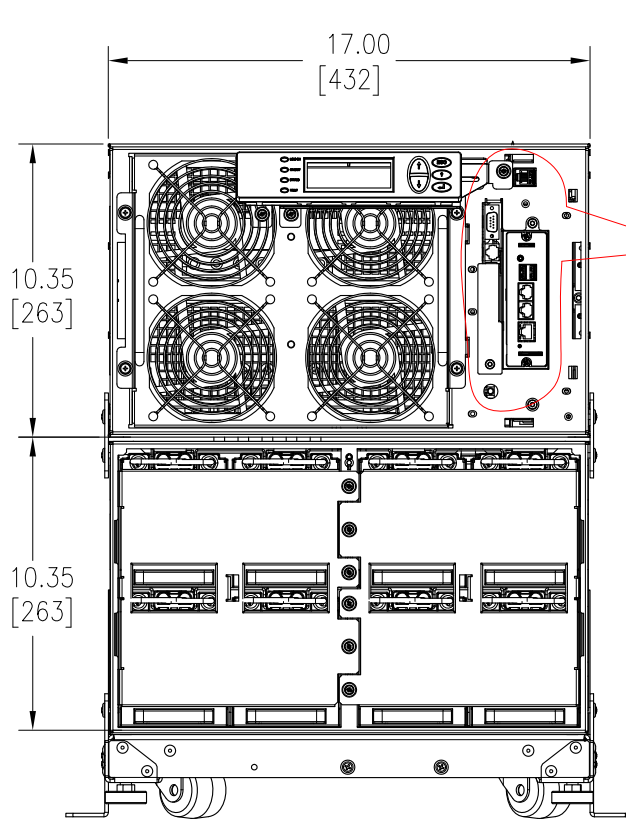
DRAWN: C KRISHNA 25-JAN-13

ENGINEER: E KOTLYAR 25-JAN-13

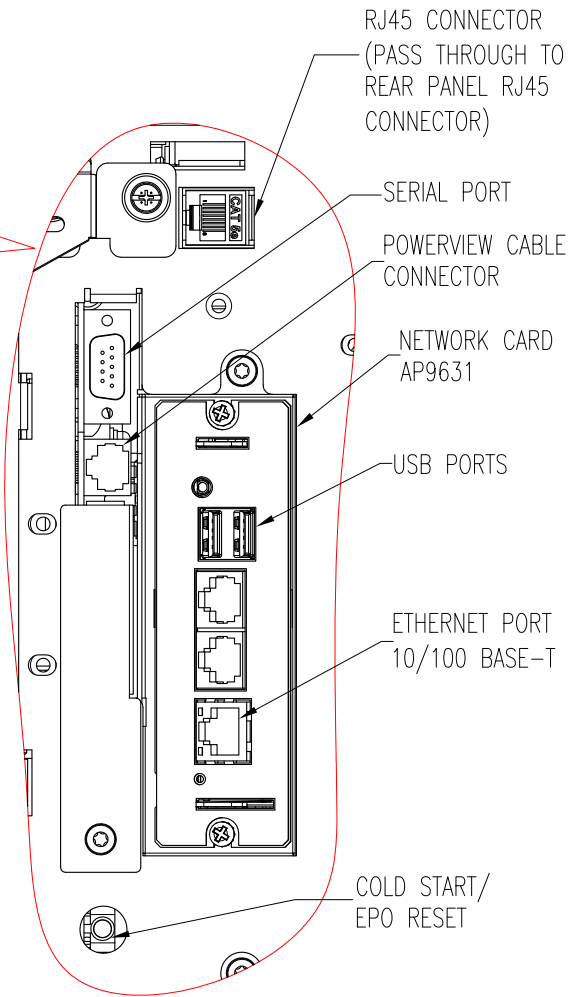
APPROVED: J.PRECOPIO 25-JAN-13

REV. 0

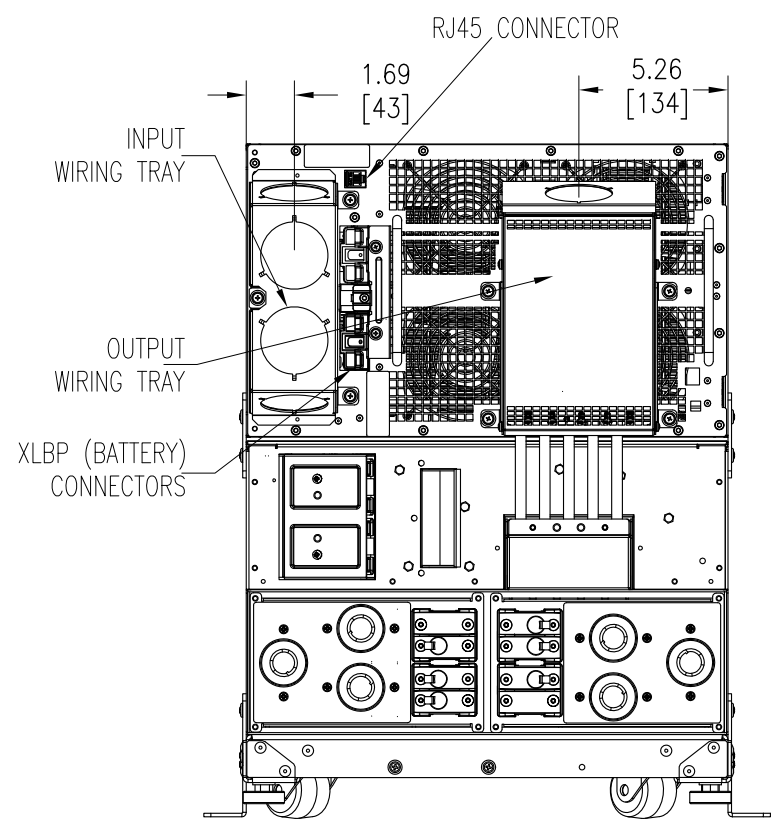
THIRD ANGLE PROJECTION



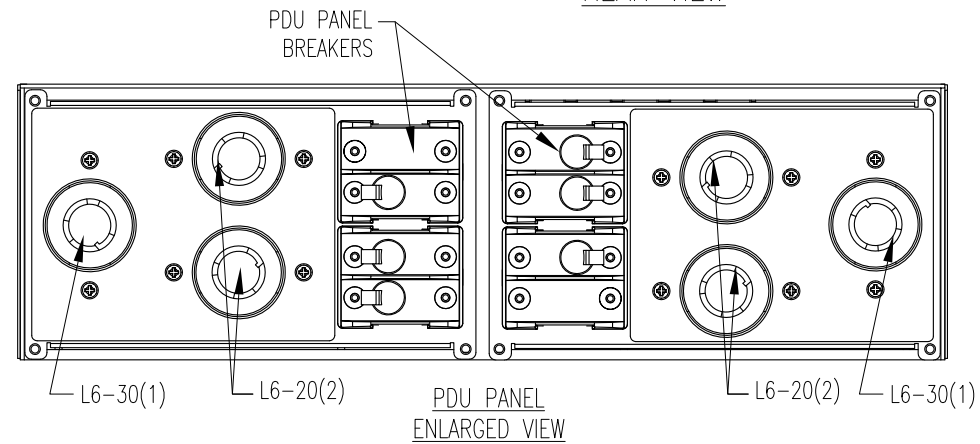
FRONT VIEW
(BEZELS REMOVED)



INTERFACE
ENLARGED VIEW



REAR VIEW



- NOTES:
1. INSTALLATION MUST COMPLY WITH ALL APPLICABLE NATIONAL, STATE AND LOCAL CODES.
 2. REFER TO PRODUCT DOCUMENTATION FOR ADDITIONAL DETAILS PRIOR TO INSTALLATION AND SITE PREPARATION WORK.
 3. ALL DIMENSIONS ARE IN INCHES [MILLIMETERS].

THIS DRAWING AND SPECIFICATIONS HEREIN ARE THE PROPERTY OF SCHNEIDER ELECTRIC AND SHALL NOT BE COPIED, REPRODUCED OR USED IN WHOLE OR IN PART, AS THE BASIS FOR THE MANUFACTURE OR SALE OF ITEMS WITHOUT WRITTEN PERMISSION FROM SCHNEIDER ELECTRIC. THIS DRAWING IS BASED UPON LATEST AVAILABLE INFORMATION AND IS SUBJECT TO CHANGE WITHOUT NOTICE.



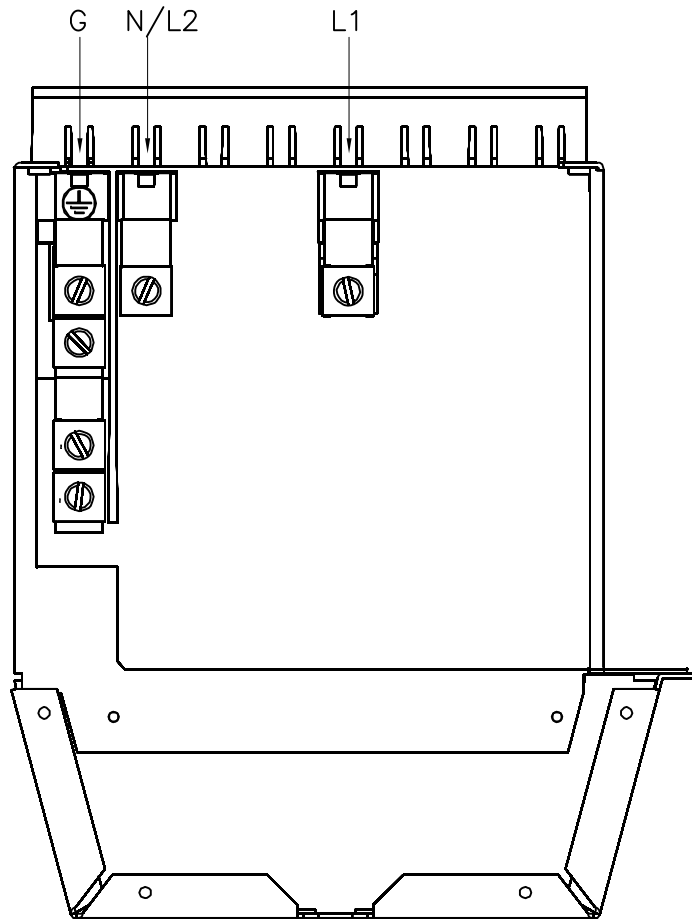
TITLE: Smart-UPS On-Line
INPUT: 208VAC(2PH+G) 60Hz
OUTPUT: 208VAC(2PH+G) 60Hz
INTERNAL VIEWS

PROJECT: DRAWINGS SHEET 5 OF 7

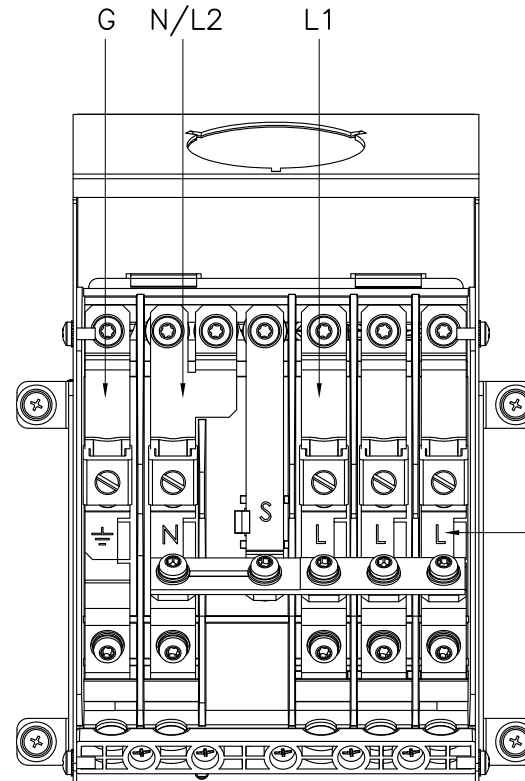
DWG NO: SURT20KRMXL

DRAWN: C KRISHNA	25-JAN-13	THIRD ANGLE PROJECTION
ENGINEER: E KOTLYAR	25-JAN-13	
APPROVED: J.PRECOPIO	25-JAN-13	

REV. 0



INPUT CONNECTION
DETAILS HARDWIRING



OUTPUT CONNECTION
DETAILS HARDWIRING

ENSURE THE (OSJ) IS SECURED TO THE OUTPUT WIRING TRAY USING THE FIVE SCREWS SUPPLIED.

NOTES:

1. INSTALLATION MUST COMPLY WITH ALL APPLICABLE NATIONAL, STATE AND LOCAL CODES.
2. REFER TO PRODUCT DOCUMENTATION FOR ADDITIONAL DETAILS PRIOR TO INSTALLATION AND SITE PREPARATION WORK.
3. ALL DIMENSIONS ARE IN INCHES [MILLIMETERS].

THIS DRAWING AND SPECIFICATIONS HEREIN ARE THE PROPERTY OF SCHNEIDER ELECTRIC AND SHALL NOT BE COPIED, REPRODUCED OR USED IN WHOLE OR IN PART, AS THE BASIS FOR THE MANUFACTURE OR SALE OF ITEMS WITHOUT WRITTEN PERMISSION FROM SCHNEIDER ELECTRIC. THIS DRAWING IS BASED UPON LATEST AVAILABLE INFORMATION AND IS SUBJECT TO CHANGE WITHOUT NOTICE.



TITLE: Smart-UPS On-Line
INPUT: 208VAC(2PH+G) 60Hz
OUTPUT: 208VAC(2PH+G) 60Hz
INPUT AND OUTPUT DETAILS

PROJECT: DRAWINGS SHEET 6 OF 7

DWG NO: SURT20KRMXL

DRAWN: C KRISHNA 25-JAN-13

ENGINEER: E KOTLYAR 25-JAN-13

APPROVED: J.PRECOPIO 25-JAN-13

REV. 0

THIRD ANGLE PROJECTION

UTILITY SOURCE (PROVIDED BY OTHERS)
208/240VAC (2PH+G) 50/60Hz 1PH

125A

△3

△4

△5

△6

INPUT WIRING TRAY

BATTERY PACK

UPS MODULE

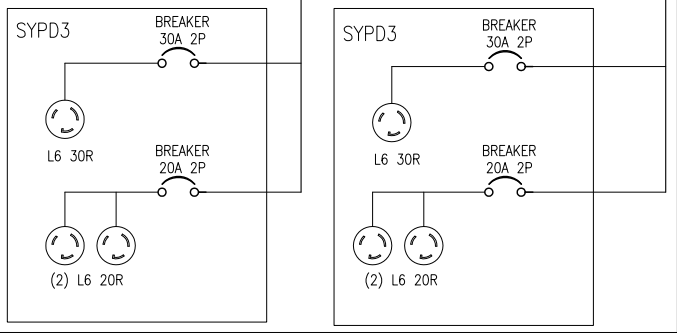
+ve String
-ve String

OUTPUT WIRING TRAY

△7

DISTRIBUTION PANEL
208/240VAC (2PH+G) 50/60Hz 1PH

△8



UPS SYSTEM OUTPUT HARDWIRED
208/240VAC (2PH+G) 50/60Hz 1PH

△4

Efficiency Details				
System	25% load	load 50%	75% load	100% load
SURT20KRMXLT	93.4	94.8	94.8	94.6

NOTES:

- INSTALLATION MUST COMPLY WITH ALL APPLICABLE NATIONAL, STATE AND LOCAL CODES.
- REFER TO PRODUCT DOCUMENTATION FOR ADDITIONAL DETAILS PRIOR TO INSTALLATION AND SITE PREPARATION WORK.
- UTILITY SOURCE MUST BE 208/240VAC (2PH+G) 50/60Hz 1PH PROVIDED BY OTHERS.
- DASHED LINES BETWEEN UNITS (- - - -) REPRESENT CABLING PROVIDED BY OTHERS.
- ADDITIONAL EXTERNAL BATTERY PACKS, (UPTO 10) CAN BE CONNECTED TO INCREASE THE RUN TIME FURTHER.
- REFER TO INSTALLATION MANUAL FOR DETAILED INSTRUCTIONS ON WIRING INPUT TRAY.
- REFER TO INSTALLATION MANUAL FOR DETAILED INSTRUCTIONS ON WIRING OUTPUT TRAY.
- PDU PANELS ARE MOUNTED ON THE REAR OF THE BATTERY PACK. OTHER, OPTIONAL, PDU PANELS CAN BE PURCHASED SEPARATELY AND INSTALLED TO PROVIDE ALTERNATIVE LOAD CONNECTIONS.
- INPUT I THD < 6% AT FULL LOAD
- OUTPUT V THD < 2% LINEAR LOAD, < 5% NON LINEAR LOAD
- INPUT POWER-FACTOR IS - 0.95 AT FULL LOAD

THIS DRAWING AND SPECIFICATIONS HEREIN ARE THE PROPERTY OF SCHNEIDER ELECTRIC AND SHALL NOT BE COPIED, REPRODUCED OR USED IN WHOLE OR IN PART, AS THE BASIS FOR THE MANUFACTURE OR SALE OF ITEMS WITHOUT WRITTEN PERMISSION FROM SCHNEIDER ELECTRIC. THIS DRAWING IS BASED UPON LATEST AVAILABLE INFORMATION AND IS SUBJECT TO CHANGE WITHOUT NOTICE.



TITLE: Smart-UPS On-Line
INPUT: 208/240VAC (2PH+G) 50/60Hz 1PH
OUTPUT: 208/240VAC (2PH+G) 50/60Hz 1PH
SYSTEM ONE LINE DIAGRAM

DWG NO: SURT20KRMXLT

REV. 1

PROJECT: DRAWINGS SHEET 7 OF 7

DRAWN: C KRISHNA/S CUNHA	16-JUL-13	ANGLE PROJECTION
ENGINEER: V.CHENNAKESAVAN	25-JAN-13	
APPROVED: J.PRECOPIO	25-JAN-13	

N.A