

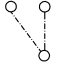

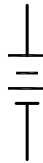


## SYMMETRA LX

Sheet No.	Component /Detail	Description
1	Draw ing Guide	APC Symmetra LX 16kVA Scalable to 16kVA N+1, Tow er
2	Isometric View	APC Symmetra LX 16kVA Scalable to 16kVA N+1, Tow er
3	General Arrangement	APC Symmetra LX 16kVA Scalable to 16kVA N+1, Tow er
4	Internal View s	APC Symmetra LX 16kVA Scalable to 16kVA N+1, Tow er
5	In-Out & EPO Connections	APC Symmetra LX 16kVA Scalable to 16kVA N+1, Tow er
6	System One Line Diagram	APC Symmetra LX 16kVA Scalable to 16kVA N+1, Tow er
7	Neutral and Ground Continuity	APC Symmetra LX 16kVA Scalable to 16kVA N+1, Tow er

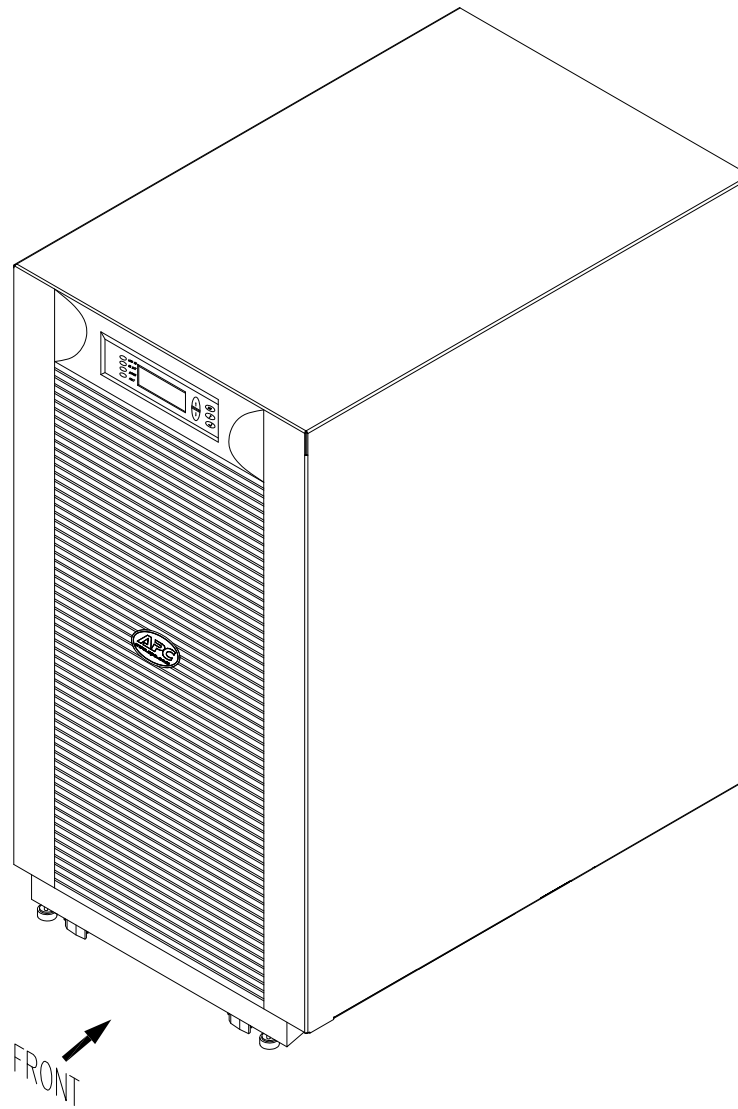
LEGEND			
SYMBOL	DESCRIPTION	SYMBOL	DESCRIPTION
	CIRCUIT BREAKER		INVERTER
	CONTACTOR		CONVERTER
	BATTERY		

THIS DRAWING AND SPECIFICATIONS HEREIN ARE THE PROPERTY OF SCHNEIDER ELECTRIC AND SHALL NOT BE COPIED, REPRODUCED OR USED IN WHOLE OR IN PART, AS THE BASIS FOR THE MANUFACTURE OR SALE OF ITEMS WITHOUT WRITTEN PERMISSION FROM SCHNEIDER ELECTRIC. THIS DRAWING IS BASED UPON LATEST AVAILABLE INFORMATION AND IS SUBJECT TO CHANGE WITHOUT NOTICE.



TITLE:  
SYMMETRA LX 16kVA TOWER  
INPUT: 208/240VAC, 50/60Hz, 1 $\phi$   
OUTPUT: 120/208V OR 120/240V  
DRAWING GUIDE  
PROJECT: DRAWINGS SHEET 1 OF 7

DWG NO:	SYA16K16P	REV.	0
DRAWN BY:	C KRISHNA	06-JUN-12	ANGLE
ENGINEER:	K WHITE	06-JUN-12	PROJECTION
APPROVED BY:	P AYERS	06-JUN-12	N/A



**NOTES:**

1. INSTALLATION SHALL COMPLY WITH ALL APPLICABLE NATIONAL, STATE AND LOCAL CODES.
2. PLEASE REFER TO PRODUCT MANUALS FOR ADDITIONAL DETAILS PRIOR TO INSTALLATION AND SITE PREPARATION WORK.
3. COLOR – BLACK,SILVER
4. PROTECTION CLASS– IP20.

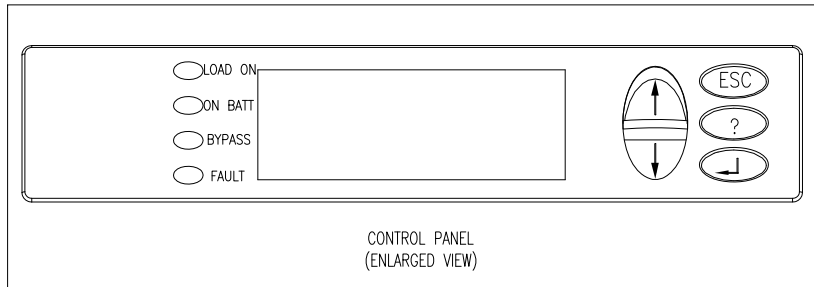
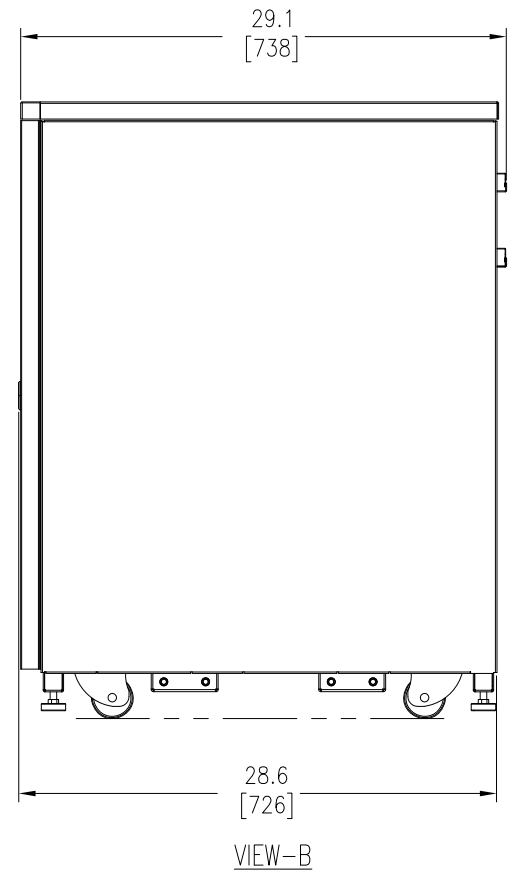
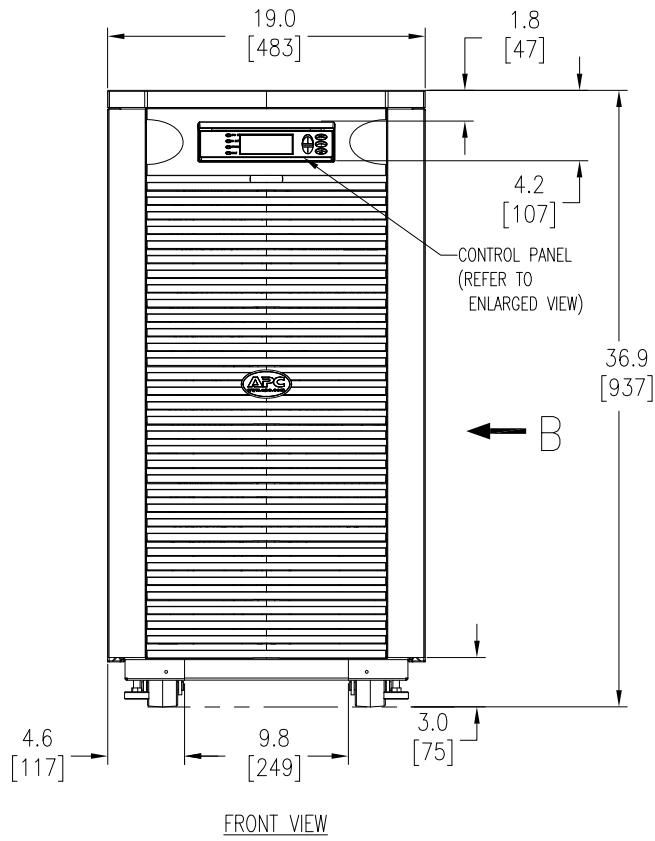
THIS DRAWING AND SPECIFICATIONS HEREIN ARE THE PROPERTY OF SCHNEIDER ELECTRIC AND SHALL NOT BE COPIED, REPRODUCED OR USED IN WHOLE OR IN PART, AS THE BASIS FOR THE MANUFACTURE OR SALE OF ITEMS WITHOUT WRITTEN PERMISSION FROM SCHNEIDER ELECTRIC. THIS DRAWING IS BASED UPON LATEST AVAILABLE INFORMATION AND IS SUBJECT TO CHANGE WITHOUT NOTICE.



TITLE:  
 SYMMETRA LX 16kVA TOWER  
 INPUT: 208/240VAC, 50/60Hz, 1φ  
 OUTPUT: 120/208V OR 120/240V  
 SOLUTION ISOMETRIC

PROJECT: DRAWINGS SHEET 2 OF 7

DWG NO:	SYA16K16P	REV.	0
DRAWN BY:	C KRISHNA	06-JUN-12	THIRD
ENGINEER:	K WHITE	06-JUN-12	ANGLE
APPROVED BY:	P AYERS	06-JUN-12	PROJECTION



Flore Loading Data			
UPS	Dimensions H x W x D Inch[mm]	Weight in LBS [Kg]	Floor Loading lbs/ft <sup>2</sup> [kg / m <sup>2</sup> ]
SYA16K16P	36.9x19x28.6 [937x483x726]	677 [307.7]	179 [877]

- NOTES:
1. INSTALLATION MUST COMPLY WITH ALL APPLICABLE NATIONAL, STATE AND LOCAL CODES.
  2. PLEASE REFER TO PRODUCT MANUALS FOR ADDITIONAL DETAILS PRIOR TO INSTALLATION AND SITE PREPARATION WORK.
  3. ALL DIMENSIONS ARE IN INCHES [MILLIMETERS], UNLESS OTHERWISE SPECIFIED.
  4. NET WEIGHT OF THE UNIT IS 677 LBS [307.7 kg].
  5. CABLE ENTRY IS REAR SIDE OF THE UNIT.
  6. AIRFLOW AND SERVICE REQUIREMENTS, AS WELL AS MINIMUM CLEARANCE TO FIRE SUPPRESSION SYSTEMS SHOULD BE CONSIDERED WHEN LOCATING THE UNIT.
  7. OPERATING TEMPERATURE - 32°F [0°C]MIN. TO 104°F[40°C]

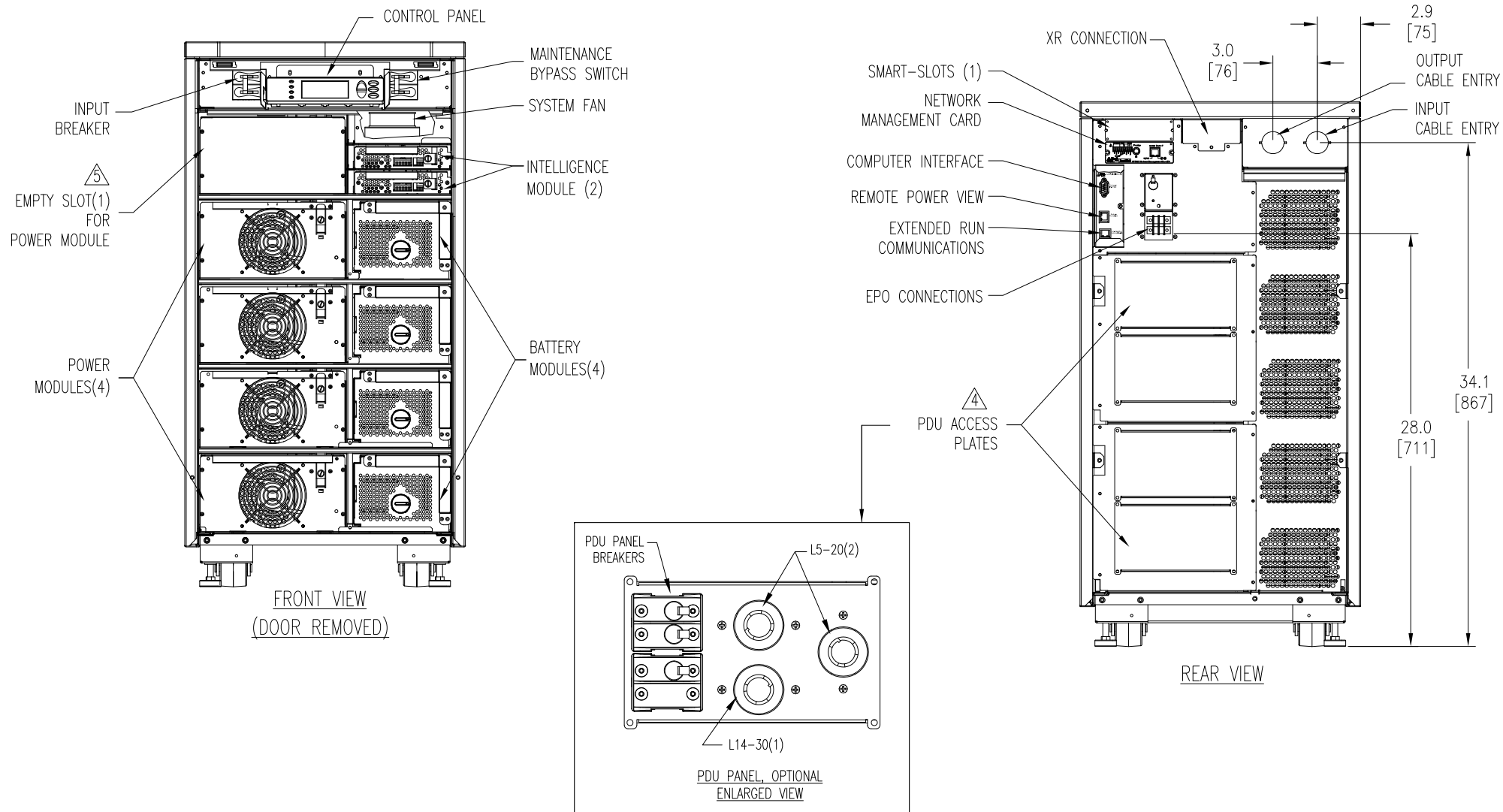
THIS DRAWING AND SPECIFICATIONS HEREIN ARE THE PROPERTY OF SCHNEIDER ELECTRIC AND SHALL NOT BE COPIED, REPRODUCED OR USED IN WHOLE OR IN PART, AS THE BASIS FOR THE MANUFACTURE OR SALE OF ITEMS WITHOUT WRITTEN PERMISSION FROM SCHNEIDER ELECTRIC. THIS DRAWING IS BASED UPON LATEST AVAILABLE INFORMATION AND IS SUBJECT TO CHANGE WITHOUT NOTICE.



TITLE: SYMMETRA LX 16kVA TOWER  
 INPUT: 208/240VAC, 50/60Hz, 1φ  
 OUTPUT: 120/208V OR 120/240V  
 GENERAL ARRANGEMENTS

PROJECT: DRAWINGS SHEET 3 OF 7

DWG NO:	SYA16K16P	REV.	1
DRAWN BY:	C KRISHNA	16-MAR-15	THIRD
ENGINEER:	K WHITE	16-MAR-15	ANGLE
APPROVED BY:	P AYERS	16-MAR-15	PROJECTION



**NOTES:**

1. INSTALLATION MUST COMPLY WITH ALL APPLICABLE NATIONAL, STATE AND LOCAL CODES.
2. PLEASE REFER TO PRODUCT MANUALS FOR ADDITIONAL DETAILS PRIOR TO INSTALLATION AND SITE PREPARATION WORK.
- △3. ALL DIMENSIONS ARE IN INCHES [MILLIMETERS], UNLESS OTHERWISE SPECIFIED.
4. UP TO FOUR (4), OPTIONAL, SYMMETRA LX PDU PANELS CAN BE PURCHASED SEPARATELY AND INSTALLED TO PROVIDE FURTHER LOAD CONNECTIONS.
- △5. THE SYMMETRA LX, SKU NUMBER SYA16K16P, IS SHOWN IN A NON-REDUNDANT CONFIGURATION, HAVING FOUR (4) POWER MODULE (SYPM4KP) AND FOUR (4) BATTERY MODULE (SYBT5), PROVIDING UP TO 16kVA POWER. A FURTHER POWER MODULE (SYPM4KP) CAN BE PURCHASED SEPARATELY AND INSTALLED IN THE SYSTEM, PROVIDING REDUNDANCY.

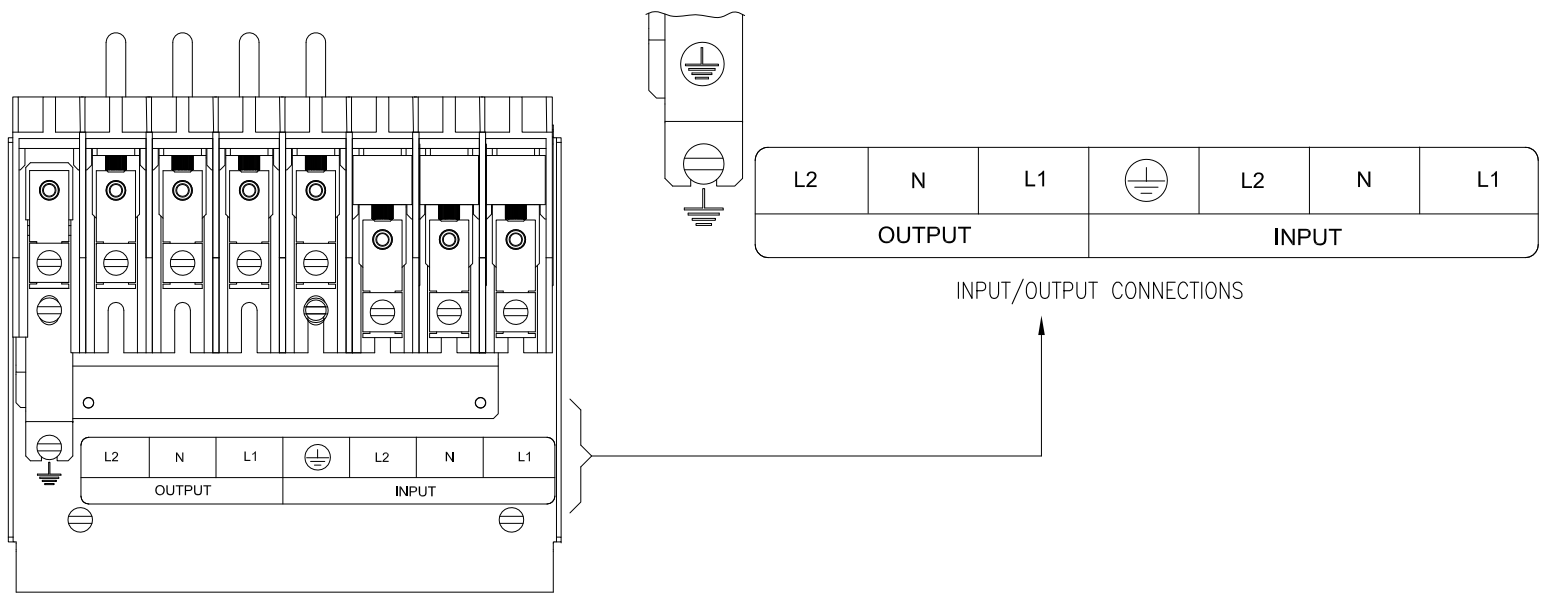
THIS DRAWING AND SPECIFICATIONS HEREIN ARE THE PROPERTY OF SCHNEIDER ELECTRIC AND SHALL NOT BE COPIED, REPRODUCED OR USED IN WHOLE OR IN PART, AS THE BASIS FOR THE MANUFACTURE OR SALE OF ITEMS WITHOUT WRITTEN PERMISSION FROM SCHNEIDER ELECTRIC. THIS DRAWING IS BASED UPON LATEST AVAILABLE INFORMATION AND IS SUBJECT TO CHANGE WITHOUT NOTICE.



TITLE:  
SYMMETRA LX 16kVA TOWER  
INPUT: 208/240VAC, 50/60Hz, 1φ  
OUTPUT: 120/208V OR 120/240V  
INTERNAL VIEWS

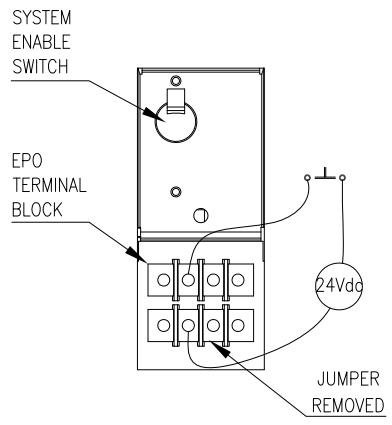
PROJECT: DRAWINGS SHEET 3 OF 7

DWG NO:	SYA16K16P	REV:	0
DRAWN BY:	C KRISHNA	06-JUN-12	THIRD
ENGINEER:	K WHITE	06-JUN-12	ANGLE
APPROVED BY:	P AYERS	06-JUN-12	PROJECTION

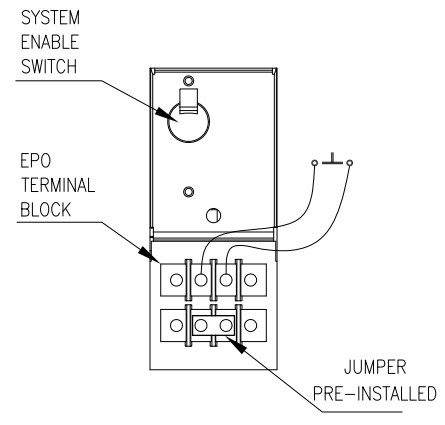


TOP VIEW (ENLARGED)  
INPUT/OUTPUT CONNECTIONS

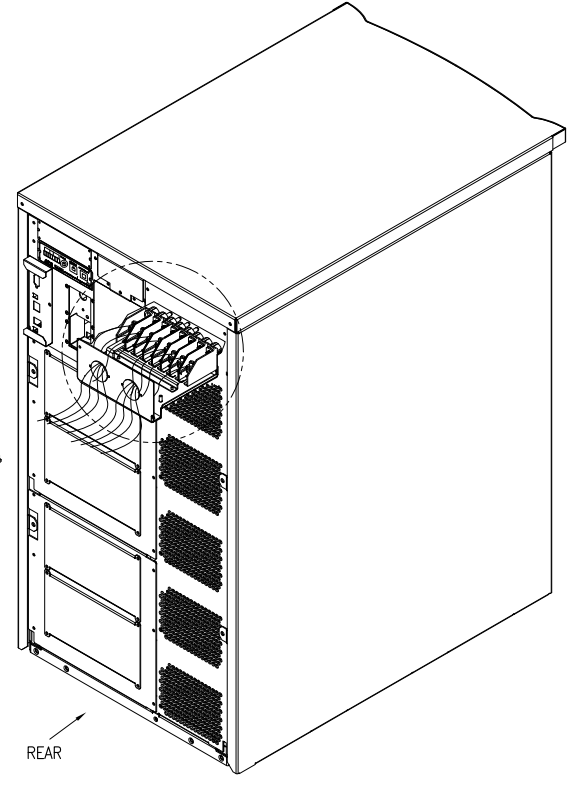
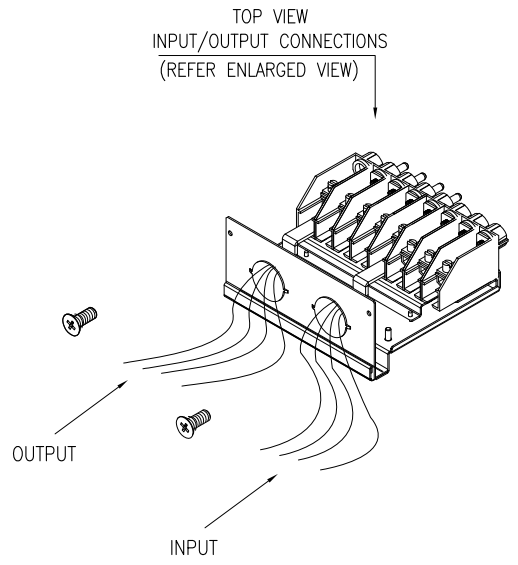
IF REQUIRED: Connect the Remote Emergency Power Off (REPO) Circuit on the UPS



IF INSTALLATION USES  
A SWITCH CONTACT  
AND A 24Vdc POWER SUPPLY  
EXTERNAL TO THE UPS



IF INSTALLATION USES  
SINGLE EXTERNAL  
SWITCH CONTACT.



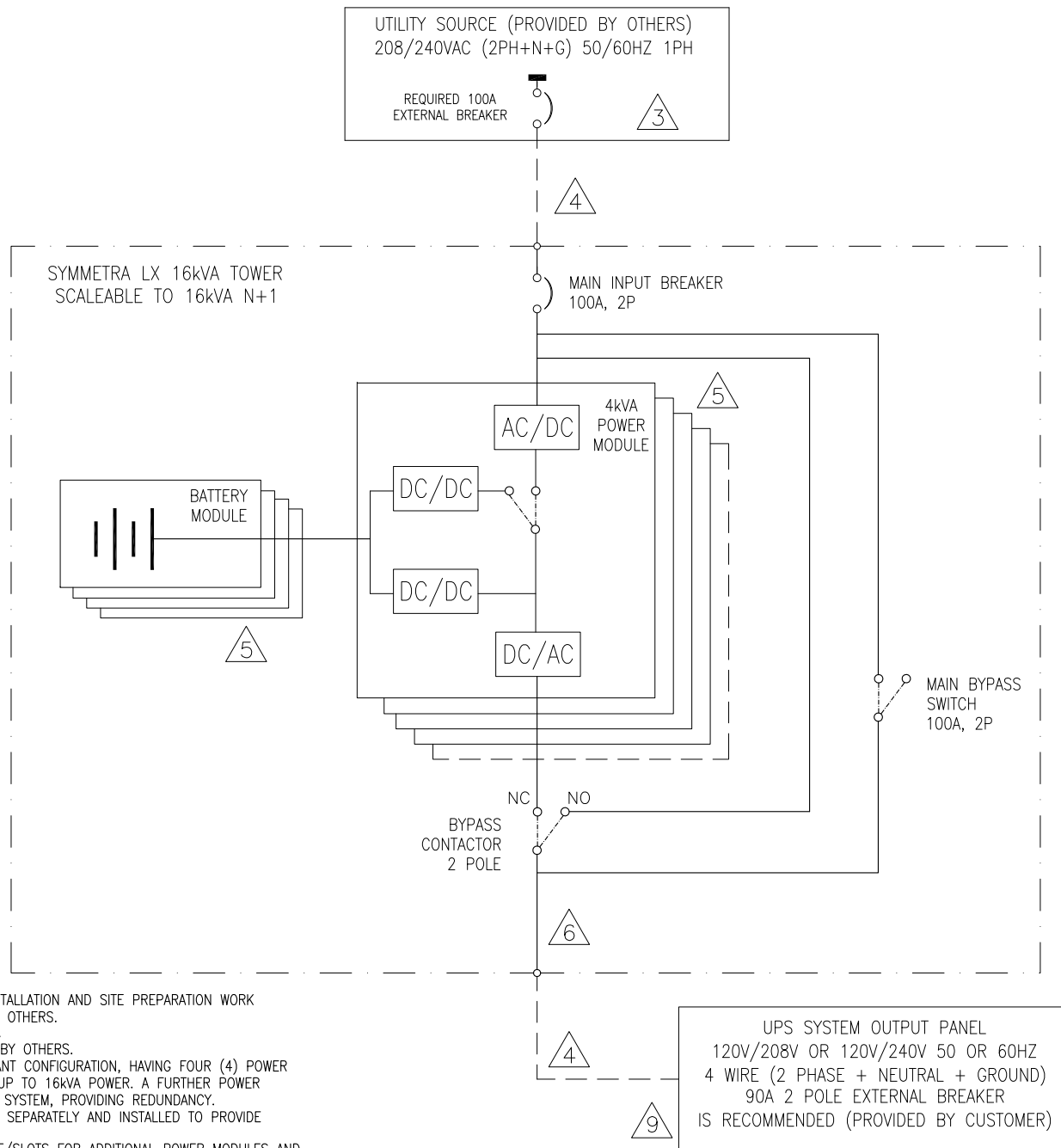
- NOTES:**
1. INSTALLATION MUST COMPLY WITH ALL APPLICABLE NATIONAL, STATE AND LOCAL CODES.
  2. PLEASE REFER TO PRODUCT MANUALS FOR ADDITIONAL DETAILS PRIOR TO INSTALLATION AND SITE PREPARATION WORK.

THIS DRAWING AND SPECIFICATIONS HEREIN ARE THE PROPERTY OF SCHNEIDER ELECTRIC AND SHALL NOT BE COPIED, REPRODUCED OR USED IN WHOLE OR IN PART, AS THE BASIS FOR THE MANUFACTURE OR SALE OF ITEMS WITHOUT WRITTEN PERMISSION FROM SCHNEIDER ELECTRIC. THIS DRAWING IS BASED UPON LATEST AVAILABLE INFORMATION AND IS SUBJECT TO CHANGE WITHOUT NOTICE.



TITLE:  
SYMMETRA LX 16kVA TOWER  
INPUT: 208/240VAC, 50/60Hz, 1φ  
OUTPUT: 120/208V OR 120/240V  
INPUT/OUTPUT & EPO CONNECTIONS  
PROJECT: DRAWINGS SHEET 5 OF 7

DWG NO:	SYA16K16P	REV:	0
DRAWN BY:	C KRISHNA	06-JUN-12	THIRD
ENGINEER:	K WHITE	06-JUN-12	ANGLE
APPROVED BY:	P AYERS	06-JUN-12	PROJECTION



- NOTES:**
1. INSTALLATION MUST COMPLY WITH NATIONAL, STATE AND LOCAL CODES.
  2. PLEASE REFER TO PRODUCT MANUALS FOR ADDITIONAL DETAILS PRIOR TO INSTALLATION AND SITE PREPARATION WORK
  - △3. UTILITY SOURCE MUST BE 1PH 208V/240V 50/60HZ 2PH+N+G PROVIDED BY OTHERS.  
NEUTRAL AND GROUND CONTINUITY IS SHOWN ON SHEET 2 OF THIS DRAWING.
  - △4. DASHED LINES BETWEEN UNITS ( - - - ) REPRESENT CABLING PROVIDED BY OTHERS.
  - △5. THE SYMMETRA LX, SKU NUMBER SYA16K16P, IS SHOWN IN A NON-REDUNDANT CONFIGURATION, HAVING FOUR (4) POWER MODULES (SYPM4KP) AND FOUR (4) BATTERY MODULES (SYBT5), PROVIDING UP TO 16kVA POWER. A FURTHER POWER MODULE (SYPM4KP) CAN BE PURCHASED SEPARATELY AND INSTALLED IN THE SYSTEM, PROVIDING REDUNDANCY.
  - △6. UP TO FOUR (4), OPTIONAL, SYMMETRA LX PDU PANELS CAN BE PURCHASED SEPARATELY AND INSTALLED TO PROVIDE FURTHER LOAD CONNECTIONS.
  7. BLOCKS SHOWN WITH DASHED (-----) LINES REPRESENTS AVAILABLE SPACE/SLOTS FOR ADDITIONAL POWER MODULES AND BATTERY UNITS.
  8. UP TO SIX (6) ADDITIONAL EXTENDED RUN BATTERY CABINETS CAN BE CONNECTED TO INCREASE THE RUNTIME FURTHER.
  - △9. A SMALLER OUTPUT BREAKER MAY BE USED TO ALLOW CIRCUIT BREAKER COORDINATION, HOWEVER THIS MAY REDUCE THE MAXIMUM LOAD KVA SUPPORTED.

THIS DRAWING AND SPECIFICATIONS HEREIN ARE THE PROPERTY OF SCHNEIDER ELECTRIC AND SHALL NOT BE COPIED, REPRODUCED OR USED IN WHOLE OR IN PART, AS THE BASIS FOR THE MANUFACTURE OR SALE OF ITEMS WITHOUT WRITTEN PERMISSION FROM SCHNEIDER ELECTRIC. THIS DRAWING IS BASED UPON LATEST AVAILABLE INFORMATION AND IS SUBJECT TO CHANGE WITHOUT NOTICE.

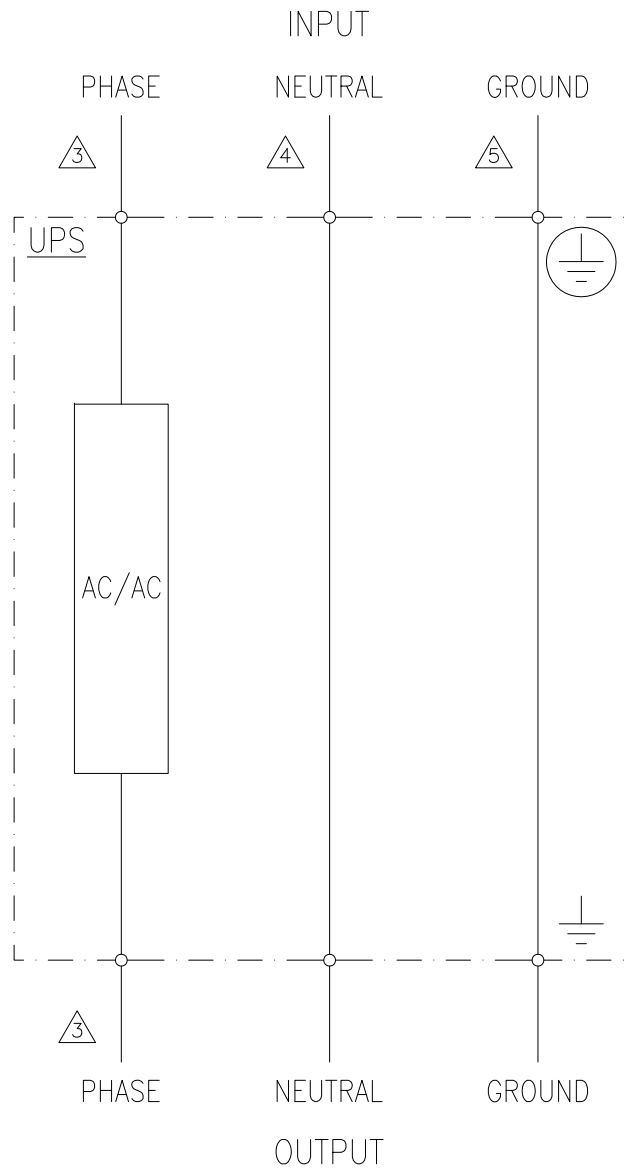
**Schneider Electric**

TITLE:  
SYMMETRA LX 16kVA TOWER  
INPUT: 208/240VAC, 50/60Hz, 1φ  
OUTPUT: 120/208V OR 120/240V  
SYSTEM SINGLE LINE-DIAGRAM

PROJECT: DRAWINGS SHEET 6 OF 7

DWG NO: SYA16K16P REV. 0

DRAWN BY:	C KRISHNA	06-JUN-12	ANGLE
ENGINEER:	K WHITE	06-JUN-12	PROJECTION
APPROVED BY:	P AYERS	06-JUN-12	N/A



**NOTES:**

1. INSTALLATION MUST COMPLY WITH ALL APPLICABLE NATIONAL, STATE AND LOCAL CODES.
2. PLEASE REFER TO PRODUCT MANUALS FOR ADDITIONAL DETAILS PRIOR TO INSTALLATION AND SITE PREPARATION WORK.
- △3. ONE OR MORE PHASE CONNECTIONS DEPENDING ON MODEL.
- △4. INPUT AND OUTPUT NEUTRAL ARE PERMANENTLY CONNECTED.
- △5. INPUT AND OUTPUT GROUND ARE PERMANENTLY CONNECTED.
6. EQUIPMENT IS NOT CONSIDERED A SEPARATELY DERIVED SYSTEM. (REF NEC 2008 ARTICLE 250.20.(D))

THIS DRAWING AND SPECIFICATIONS HEREIN ARE THE PROPERTY OF SCHNEIDER ELECTRIC AND SHALL NOT BE COPIED, REPRODUCED OR USED IN WHOLE OR IN PART, AS THE BASIS FOR THE MANUFACTURE OR SALE OF ITEMS WITHOUT WRITTEN PERMISSION FROM SCHNEIDER ELECTRIC. THIS DRAWING IS BASED UPON LATEST AVAILABLE INFORMATION AND IS SUBJECT TO CHANGE WITHOUT NOTICE.



TITLE:  
 SYMMETRA LX 16kVA TOWER  
 INPUT: 208/240VAC, 50/60Hz, 1φ  
 OUTPUT: 120/208V OR 120/240V  
 NEUTRAL AND GROUND CONTINUITY  
 PROJECT: DRAWINGS SHEET 7 OF 7

DWG NO:	SYA16K16P	REV.	0
DRAWN BY:	C KRISHNA	06-JUN-12	ANGLE
ENGINEER:	K WHITE	06-JUN-12	PROJECTION
APPROVED BY:	P AYERS	06-JUN-12	N/A