

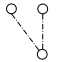




SYMMETRA LX

Sheet No.	Component /Detail	Description
1	Draw ing Guide	APC Symmetra LX 8kVA Scalable to 16kVA N+1, Rack-mount
2	Isometric View	APC Symmetra LX 8kVA Scalable to 16kVA N+1, Rack-mount
3	General Arrangement	APC Symmetra LX 8kVA Scalable to 16kVA N+1, Rack-mount
4	Internal View s	APC Symmetra LX 8kVA Scalable to 16kVA N+1, Rack-mount
5	In-Out & EPO Connections	APC Symmetra LX 8kVA Scalable to 16kVA N+1, Rack-mount
6	System One Line Diagram	APC Symmetra LX 8kVA Scalable to 16kVA N+1, Rack-mount
7	Neutral and Ground Continuity	APC Symmetra LX 8kVA Scalable to 16kVA N+1, Rack-mount

LEGEND			
SYMBOL	DESCRIPTION	SYMBOL	DESCRIPTION
	CIRCUIT BREAKER		INVERTER
	CONTACTOR		CONVERTER
	BATTERY		

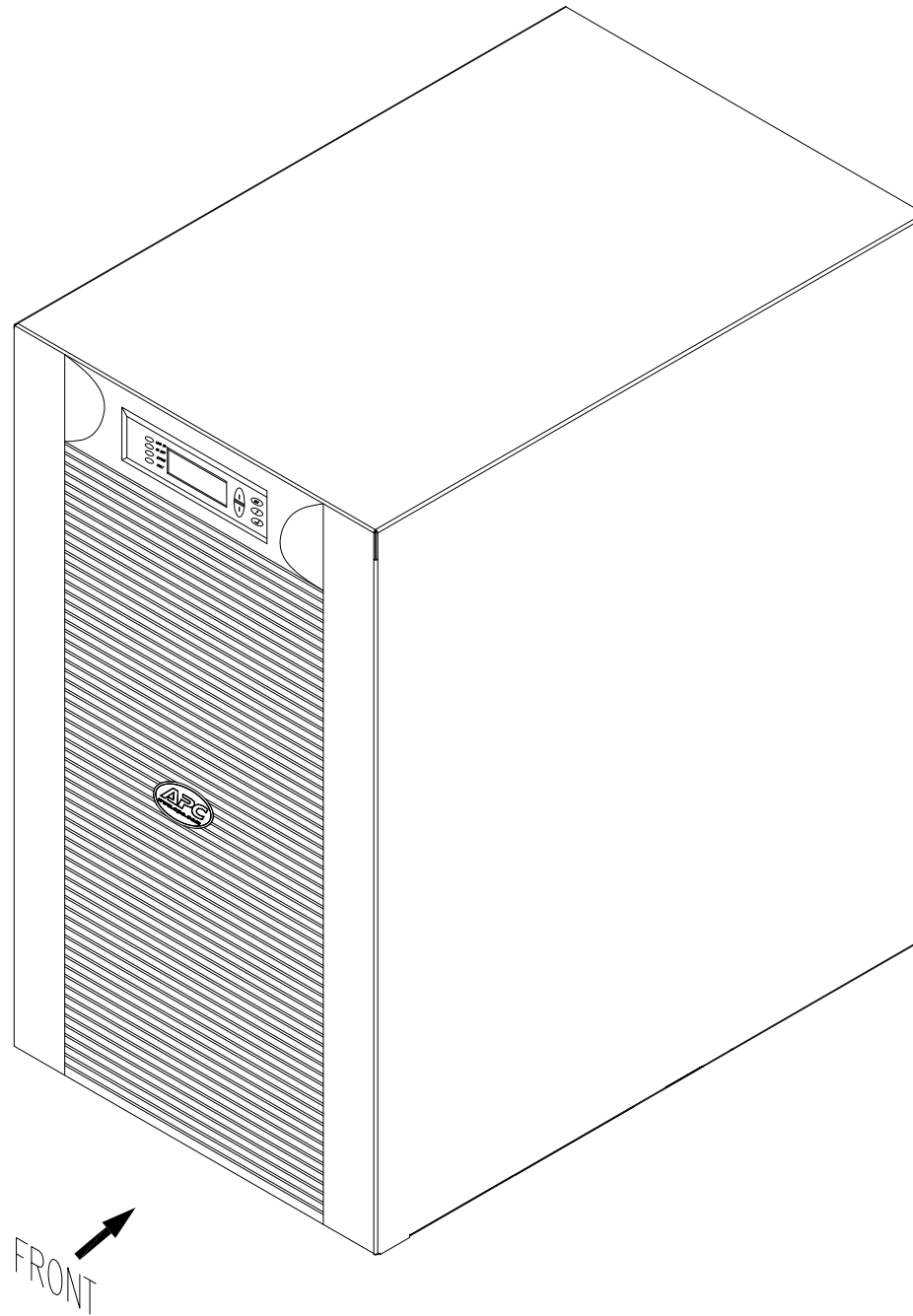
THIS DRAWING AND SPECIFICATIONS HEREIN ARE THE PROPERTY OF SCHNEIDER ELECTRIC AND SHALL NOT BE COPIED, REPRODUCED OR USED IN WHOLE OR IN PART, AS THE BASIS FOR THE MANUFACTURE OR SALE OF ITEMS WITHOUT WRITTEN PERMISSION FROM SCHNEIDER ELECTRIC. THIS DRAWING IS BASED UPON LATEST AVAILABLE INFORMATION AND IS SUBJECT TO CHANGE WITHOUT NOTICE.



TITLE:
SYMMETRA LX 8kVA, RACKMOUNT
208/240VAC, 50/60Hz, 1PH INPUT
120/208V OR 120/240V OUTPUT
MAIN MECHANICAL

PROJECT: DRAWINGS SHEET 1 OF 7

DWG NO:	SYA8K16RMP	REV:	0
DRAWN:	C KRISHNA	20-MAR-15	ANGLE PROJECTION
ENGINEER:	K.WHITE	20-MAR-15	N/A
APPROVED:	P.AYERS	20-MAR-15	N/A



NOTES:

1. INSTALLATION SHALL COMPLY WITH ALL APPLICABLE NATIONAL, STATE AND LOCAL CODES.
2. PLEASE REFER TO PRODUCT MANUALS FOR ADDITIONAL DETAILS PRIOR TO INSTALLATION AND SITE PREPARATION WORK.
3. COLOR – BLACK,SILVER
4. PROTECTION CLASS– IP20.

THIS DRAWING AND SPECIFICATIONS HEREIN ARE THE PROPERTY OF SCHNEIDER ELECTRIC AND SHALL NOT BE COPIED, REPRODUCED OR USED IN WHOLE OR IN PART, AS THE BASIS FOR THE MANUFACTURE OR SALE OF ITEMS WITHOUT WRITTEN PERMISSION FROM SCHNEIDER ELECTRIC. THIS DRAWING IS BASED UPON LATEST AVAILABLE INFORMATION AND IS SUBJECT TO CHANGE WITHOUT NOTICE.



TITLE:
 SYMMETRA LX 8kVA, RACKMOUNT
 208/240VAC, 50/60Hz, 1PH INPUT
 120/208V OR 120/240V OUTPUT
 SOLUTION-ISOMETRIC

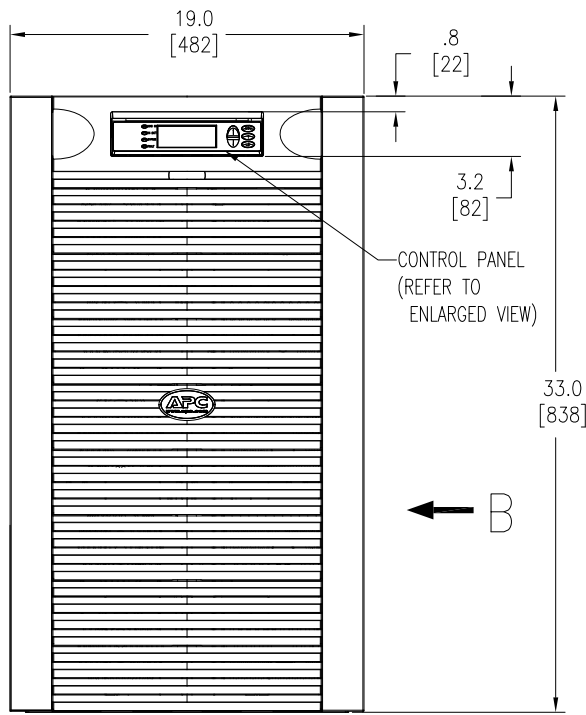
PROJECT: DRAWINGS SHEET 2 OF 7

DWG NO: SYA8K16RMP

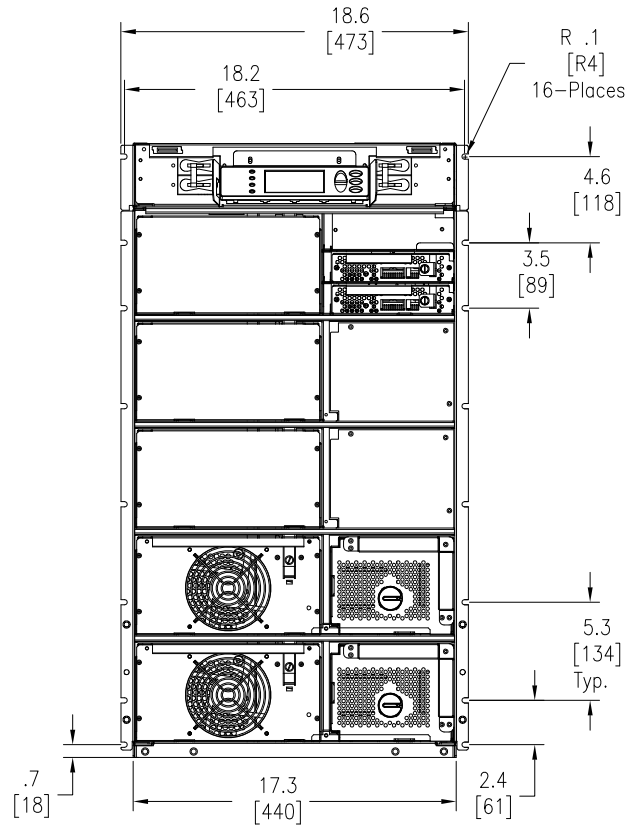
DRAWN:	C KRISHNA	20-MAR-15
ENGINEER:	K.WHITE	20-MAR-15
APPROVED:	P.AYERS	20-MAR-15

REV. 0

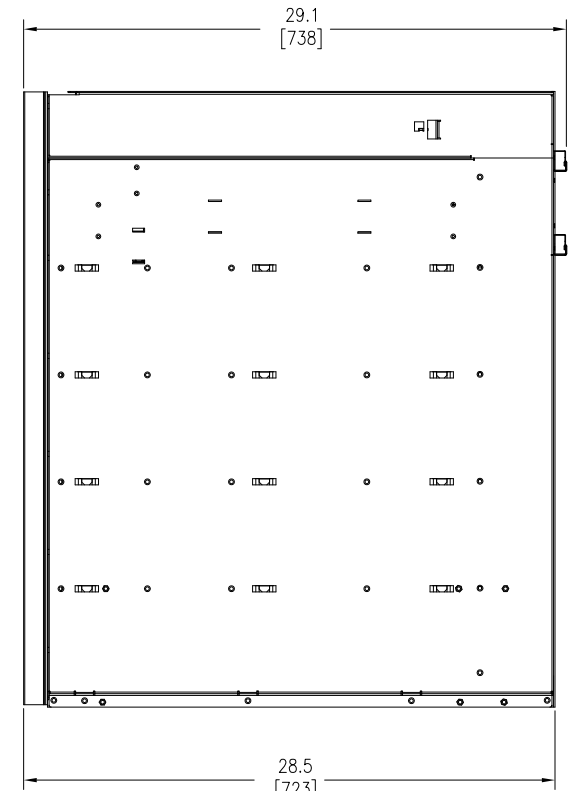
THIRD
 ANGLE
 PROJECTION



FRONT VIEW



FRONT VIEW
(DOOR REMOVED)



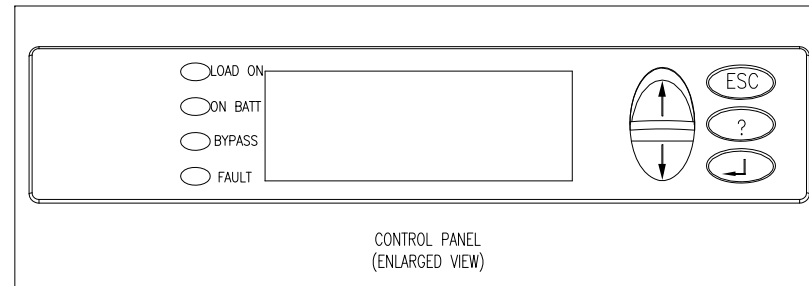
VIEW-B

Flore Loading Data

UPS	Dimensions H x W x D Inch[mm]	Weight in LBS [Kg]	Floor Loading lbs/ft ² [kg / m ²]
SYA8K16RMP	32.9x18.6x27.1[836x472x688]	437[198.6]	125 [612]

NOTES:

1. INSTALLATION MUST COMPLY WITH ALL APPLICABLE NATIONAL, STATE AND LOCAL CODES.
2. PLEASE REFER TO PRODUCT MANUALS FOR ADDITIONAL DETAILS PRIOR TO INSTALLATION AND SITE PREPARATION WORK.
3. ALL DIMENSIONS ARE IN INCHES [MILLIMETERS], UNLESS OTHERWISE SPECIFIED.
4. NET WEIGHT OF THE UNIT IS 437 LBS [198.6 kg].
5. CABLE ENTRY IS REAR SIDE OF THE UNIT.
6. AIRFLOW AND SERVICE REQUIREMENTS, AS WELL AS MINIMUM CLEARANCE TO FIRE SUPPRESSION SYSTEMS SHOULD BE CONSIDERED WHEN LOCATING THE UNIT.
7. OPERATING TEMPERATURE - 32°F [0°C]MIN. TO 104°F[40°C]



CONTROL PANEL
(ENLARGED VIEW)

THIS DRAWING AND SPECIFICATIONS HEREIN ARE THE PROPERTY OF SCHNEIDER ELECTRIC AND SHALL NOT BE COPIED, REPRODUCED OR USED IN WHOLE OR IN PART, AS THE BASIS FOR THE MANUFACTURE OR SALE OF ITEMS WITHOUT WRITTEN PERMISSION FROM SCHNEIDER ELECTRIC. THIS DRAWING IS BASED UPON LATEST AVAILABLE INFORMATION AND IS SUBJECT TO CHANGE WITHOUT NOTICE.



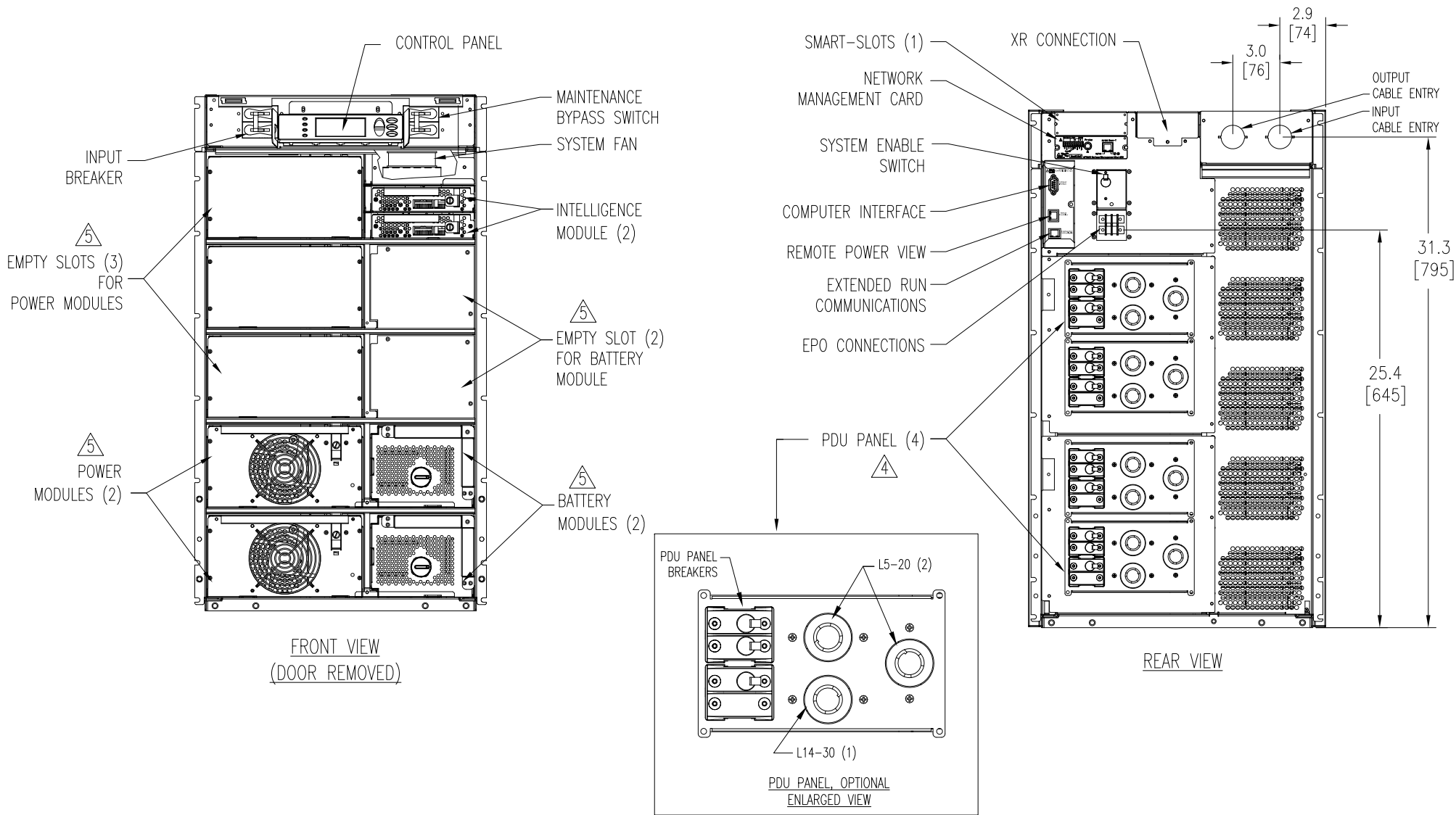
TITLE: SYMETRA LX 8kVA, RACKMOUNT
208/240VAC, 50/60Hz, 1PH INPUT
120/208V OR 120/240V OUTPUT
GENERAL ARRANGEMENT

PROJECT: DRAWINGS SHEET 3 OF 7

DWG NO: SYA8K16RMP

REV.	DATE	DESCRIPTION
1	20-MAR-15	THIRD ANGLE PROJECTION
	20-MAR-15	
	20-MAR-15	

THIRD ANGLE PROJECTION



- NOTES:**
1. INSTALLATION MUST COMPLY WITH ALL APPLICABLE NATIONAL, STATE AND LOCAL CODES.
 2. PLEASE REFER TO PRODUCT MANUALS FOR ADDITIONAL DETAILS PRIOR TO INSTALLATION AND SITE PREPARATION WORK.
 3. ALL DIMENSIONS ARE IN INCHES [MILLIMETERS], UNLESS OTHERWISE SPECIFIED.
 - △4. UP TO FOUR (4), OPTIONAL, SYMMETRA LX PDU PANELS CAN BE PURCHASED SEPARATELY AND INSTALLED TO PROVIDE FURTHER LOAD CONNECTION.
 - △5. THE SYMMETRA LX, SKU NUMBER SYA8K16RMP, IS SHOWN IN A NON-REDUNDANT CONFIGURATION, HAVING TWO (2) POWER MODULES (SYPM4KP) AND TWO (2) BATTERY MODULES (SYBT5), PROVIDING UP TO 8kVA POWER. FURTHER POWER MODULES (SYPM4KP) AND BATTERY MODULES (SYBT5) CAN BE PURCHASED SEPARATELY AND INSTALLED IN THE SYSTEM, IN ACCORDANCE WITH TABLE-1, PROVIDING SCALABILITY AND/OR REDUNDANCY.

TABLE-1

Rating	Number of additional Power Modules	Number of additional Battery Modules
8kVA N+1	ONE	-
12kVA	ONE	ONE
12kVA N+1	TWO	ONE
16kVA	TWO	TWO
16kVA N+1	THREE	TWO

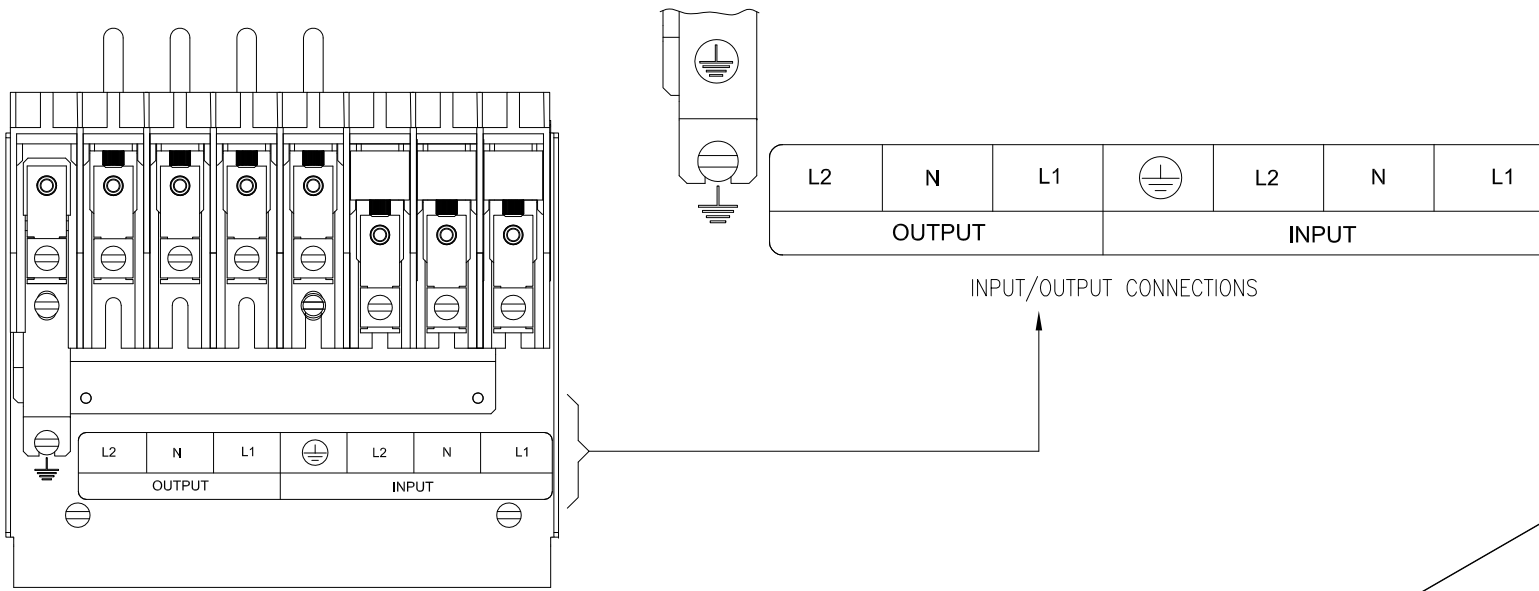
THIS DRAWING AND SPECIFICATIONS HEREIN ARE THE PROPERTY OF SCHNEIDER ELECTRIC AND SHALL NOT BE COPIED, REPRODUCED OR USED IN WHOLE OR IN PART, AS THE BASIS FOR THE MANUFACTURE OR SALE OF ITEMS WITHOUT WRITTEN PERMISSION FROM SCHNEIDER ELECTRIC. THIS DRAWING IS BASED UPON LATEST AVAILABLE INFORMATION AND IS SUBJECT TO CHANGE WITHOUT NOTICE.



TITLE: SYMMETRA LX 8kVA, RACKMOUNT 208/240VAC, 50/60Hz, 1PH INPUT 120/208V OR 120/240V OUTPUT INTERNAL VIEWS
PROJECT: DRAWINGS **SHEET 4 OF 7**

DWG NO: SYA8K16RMP	REV: 0
DRAWN: C KRISHNA	20-MAR-15
ENGINEER: K.WHITE	20-MAR-15
APPROVED: P.AYERS	20-MAR-15

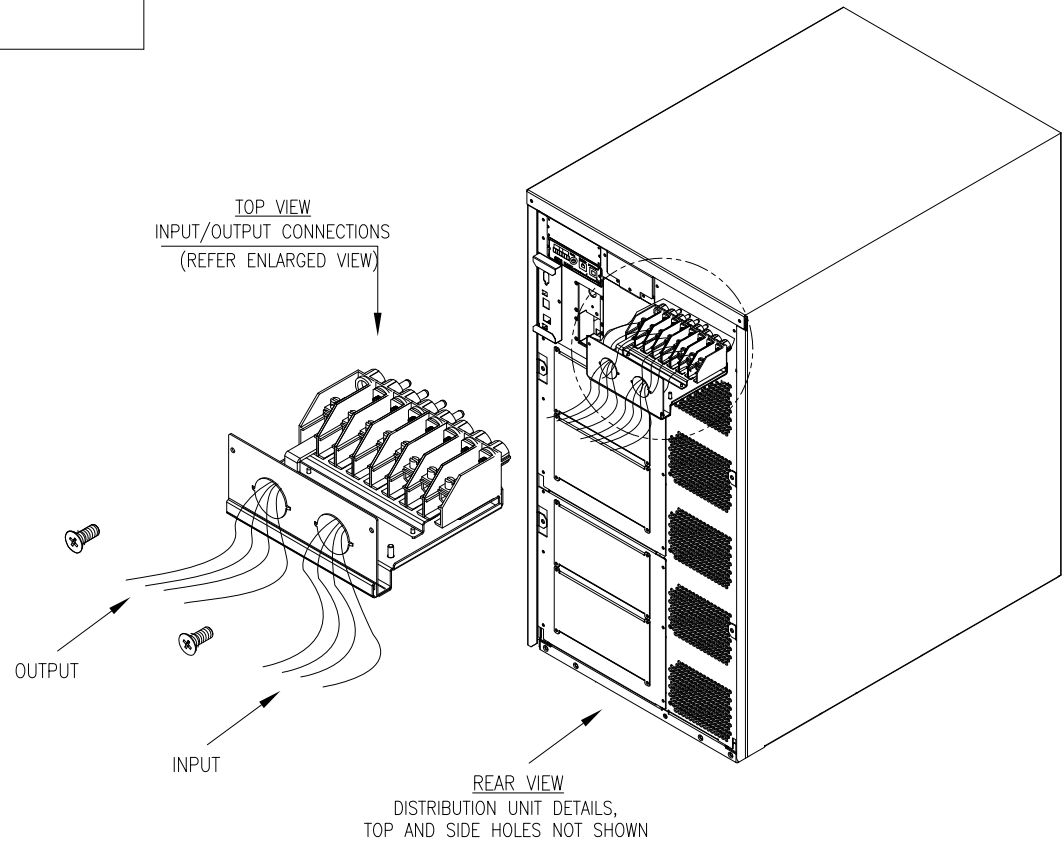
THIRD ANGLE PROJECTION



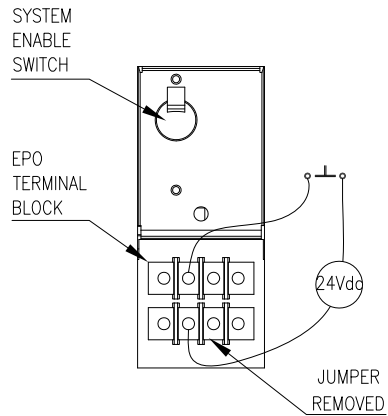
TOP VIEW (ENLARGED)
INPUT/OUTPUT CONNECTIONS

INPUT/OUTPUT CONNECTIONS

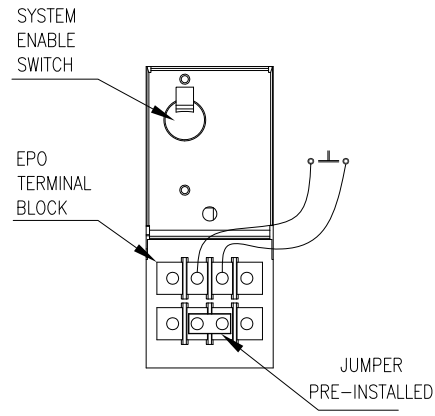
TOP VIEW
INPUT/OUTPUT CONNECTIONS
(REFER ENLARGED VIEW)



IF REQUIRED: Connect the Remote Emergency Power Off (REPO) Circuit on the UPS



IF INSTALLATION USES
A SWITCH CONTACT
AND A 24Vdc POWER SUPPLY
EXTERNAL TO THE UPS



IF INSTALLATION USES
SINGLE EXTERNAL
SWITCH CONTACT.

NOTES:

1. INSTALLATION MUST COMPLY WITH ALL APPLICABLE NATIONAL, STATE AND LOCAL CODES.
2. PLEASE REFER TO PRODUCT MANUALS FOR ADDITIONAL DETAILS PRIOR TO INSTALLATION AND SITE PREPARATION WORK.

THIS DRAWING AND SPECIFICATIONS HEREIN ARE THE PROPERTY OF SCHNEIDER ELECTRIC AND SHALL NOT BE COPIED, REPRODUCED OR USED IN WHOLE OR IN PART, AS THE BASIS FOR THE MANUFACTURE OR SALE OF ITEMS WITHOUT WRITTEN PERMISSION FROM SCHNEIDER ELECTRIC. THIS DRAWING IS BASED UPON LATEST AVAILABLE INFORMATION AND IS SUBJECT TO CHANGE WITHOUT NOTICE.



TITLE:
SYMMETRA LX 8kVA, RACKMOUNT
208/240VAC, 50/60Hz, 1PH INPUT
120/208V OR 120/240V OUTPUT
INPUT-OUTPUT AND EPO CONNECTIONS

PROJECT: DRAWINGS SHEET 5 OF 7

DWG NO: SYA8K16RMP

DRAWN:	C. KRISHNA	20-MAR-15
ENGINEER:	K. WHITE	20-MAR-15
APPROVED:	P. AYERS	20-MAR-15

REV. 0
THIRD ANGLE PROJECTION

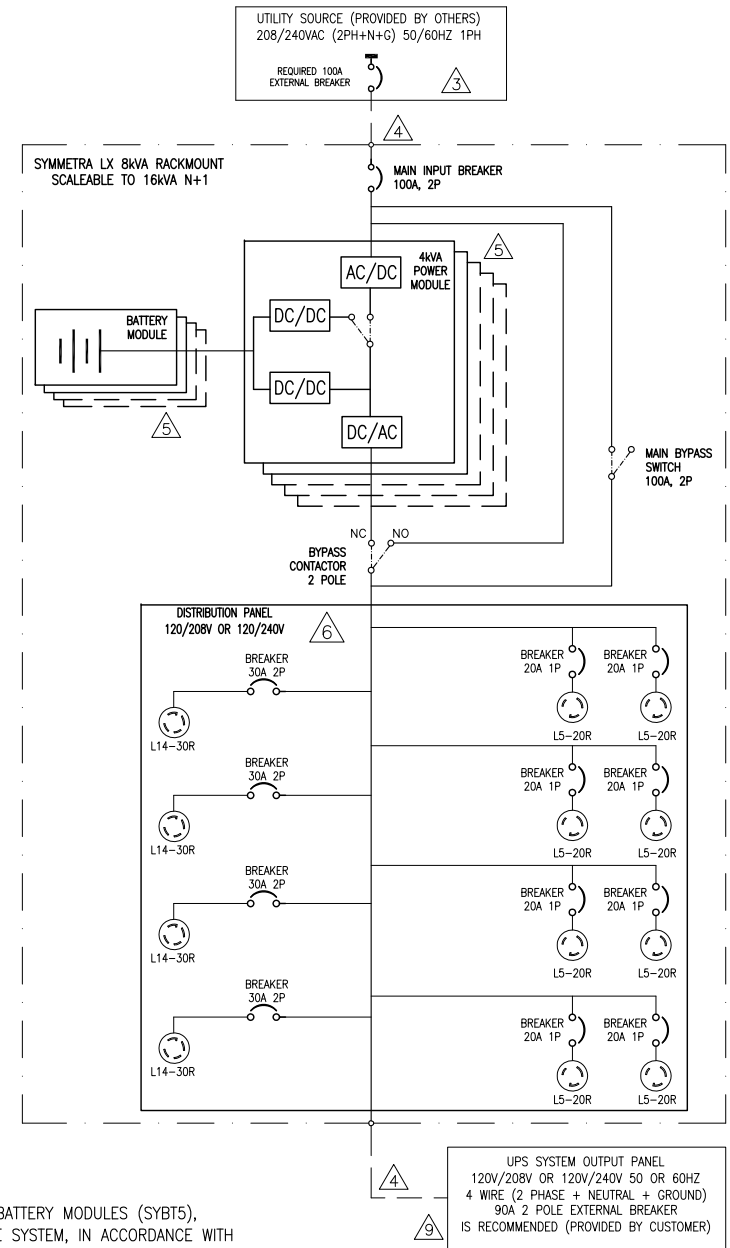
TABLE-1

Rating	Number of Additional Power Module(s)	Number of Additional Battery Module(s)
8kVA N+1, Ext. run	ONE	-
12kVA, Ext. run	ONE	ONE
12kVA N+1, Ext. run	TWO	ONE
16kVA, Ext. run	TWO	TWO
16kVA N+1, Ext. run	THREE	TWO

Efficiency Details				
System	25% load	load 50%	75% load	100% load
SYA8K16RMP	84.1	88.3	89.5	89.9

NOTES:

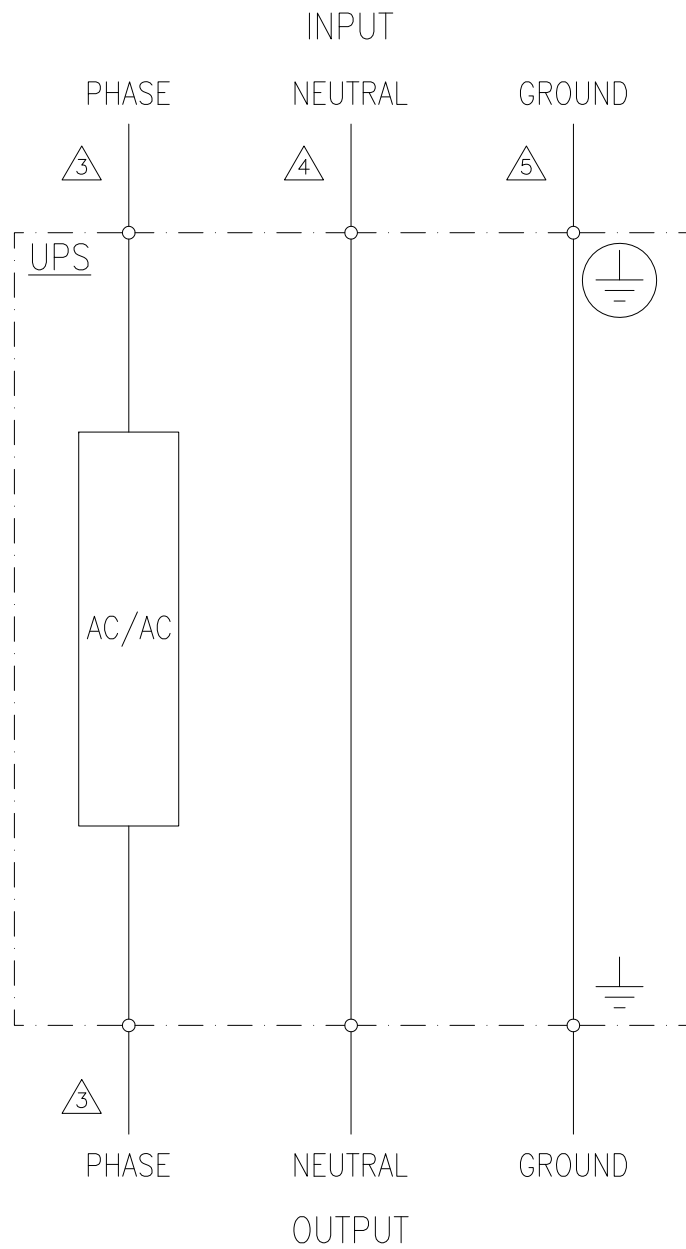
1. INSTALLATION MUST COMPLY WITH NATIONAL, STATE AND LOCAL CODES.
2. PLEASE REFER TO PRODUCT MANUALS FOR ADDITIONAL DETAILS PRIOR TO INSTALLATION AND SITE PREPARATION WORK.
- △ 3. UTILITY SOURCE MUST BE 1PH 208V/240V 50/60HZ 2PH+N+G PROVIDED BY OTHERS. NEUTRAL AND GROUND CONTINUITY IS SHOWN ON SHEET 2 OF THIS DRAWING.
- △ 4. DASHED LINES BETWEEN UNITS (- - - -) REPRESENT CABLING PROVIDED BY OTHERS.
- △ 5. THE SYMMETRA LX, SKU NUMBER SYA8K16RMP, IS SHOWN IN A NON-REDUNDANT CONFIGURATION, HAVING TWO (2) POWER MODULES (SYPM4KP) AND TWO (2) BATTERY MODULES (SYBT5), PROVIDING UP TO 8KVA POWER. FURTHER POWER MODULES (SYPM4KP) AND BATTERY MODULES (SYBT5) CAN BE PURCHASED SEPARATELY AND INSTALLED IN THE SYSTEM, IN ACCORDANCE WITH TABLE-1, PROVIDING SCALABILITY AND/OR REDUNDANCY.
- △ 6. UP TO FOUR (4), OPTIONAL, SYMMETRA LX PDU PANELS CAN BE PURCHASED SEPARATELY AND INSTALLED TO PROVIDE FURTHER LOAD CONNECTIONS.
7. BLOCKS SHOWN WITH DASHED (-----) LINES REPRESENTS AVAILABLE SPACE/SLOTS FOR ADDITIONAL POWER MODULES AND BATTERY UNITS.
8. UP TO SIX (6) ADDITIONAL EXTENDED RUN BATTERY CABINETS CAN BE CONNECTED TO INCREASE THE RUNTIME FURTHER.
- △ 9. SMALLER OUTPUT BREAKER MAY BE USED TO ALLOW CIRCUIT BREAKER COORDINATION, HOWEVER THIS MAY REDUCE THE MAXIMUM LOAD KVA SUPPORTED.
10. INPUT I THD < 7% AT FULL LOAD
11. OUTPUT V THD < 2% LINEAR LOAD, <5% NON LINEAR LOAD
12. INPUT POWER-FACTOR IS - 0.90 AT FULL LOAD WITH 120/208 VAC SOURCE, 2PH + N + G, OR - 0.98 AT FULL LOAD WITH 120/240 VAC SOURCE, 2PH + N + G.



THIS DRAWING AND SPECIFICATIONS HEREIN ARE THE PROPERTY OF SCHNEIDER ELECTRIC AND SHALL NOT BE COPIED, REPRODUCED OR USED IN WHOLE OR IN PART, AS THE BASIS FOR THE MANUFACTURE OR SALE OF ITEMS WITHOUT WRITTEN PERMISSION FROM SCHNEIDER ELECTRIC. THIS DRAWING IS BASED UPON LATEST AVAILABLE INFORMATION AND IS SUBJECT TO CHANGE WITHOUT NOTICE.



TITLE:	SYMMETRA LX 8KVA, RACKMOUNT 208/240VAC, 50/60Hz, 1PH INPUT 120/208V OR 120/240V OUTPUT SYSTEM SINGLE LINE-DIAGRAM		DWG NO:	SYA8K16RMP	REV.	0
PROJECT:	DRAWINGS	SHEET 6 OF 7	DRAWN:	C KRISHNA	20-MAR-15	ANGLE PROJECTION
			ENGINEER:	K.WHITE	20-MAR-15	N/A
			APPROVED:	P.AYERS	20-MAR-15	



- NOTES:**
1. INSTALLATION MUST COMPLY WITH ALL APPLICABLE NATIONAL, STATE AND LOCAL CODES.
 2. PLEASE REFER TO PRODUCT MANUALS FOR ADDITIONAL DETAILS PRIOR TO INSTALLATION AND SITE PREPARATION WORK.
 - △3. ONE OR MORE PHASE CONNECTIONS DEPENDING ON MODEL.
 - △4. INPUT AND OUTPUT NEUTRAL ARE PERMANENTLY CONNECTED.
 - △5. INPUT AND OUTPUT GROUND ARE PERMANENTLY CONNECTED.
 6. EQUIPMENT IS NOT CONSIDERED A SEPARATELY DERIVED SYSTEM. (REF NEC 2008 ARTICLE 250.20(D))

THIS DRAWING AND SPECIFICATIONS HEREIN ARE THE PROPERTY OF SCHNEIDER ELECTRIC AND SHALL NOT BE COPIED, REPRODUCED OR USED IN WHOLE OR IN PART, AS THE BASIS FOR THE MANUFACTURE OR SALE OF ITEMS WITHOUT WRITTEN PERMISSION FROM SCHNEIDER ELECTRIC. THIS DRAWING IS BASED UPON LATEST AVAILABLE INFORMATION AND IS SUBJECT TO CHANGE WITHOUT NOTICE.



TITLE:
 SYMMETRA LX 8kVA, RACKMOUNT
 208/240VAC, 50/60Hz, 1PH INPUT
 120/208V OR 120/240V OUTPUT
 INPUT-OUTPUT AND EPO CONNECTIONS

PROJECT: DRAWINGS **SHEET 7 OF 7**

DWG NO:	SYA8K16RMP	REV.	0
DRAWN:	C KRISHNA	20-MAR-15	ANGLE PROJECTION N/A
ENGINEER:	K.WHITE	20-MAR-15	
APPROVED:	P.AYERS	20-MAR-15	