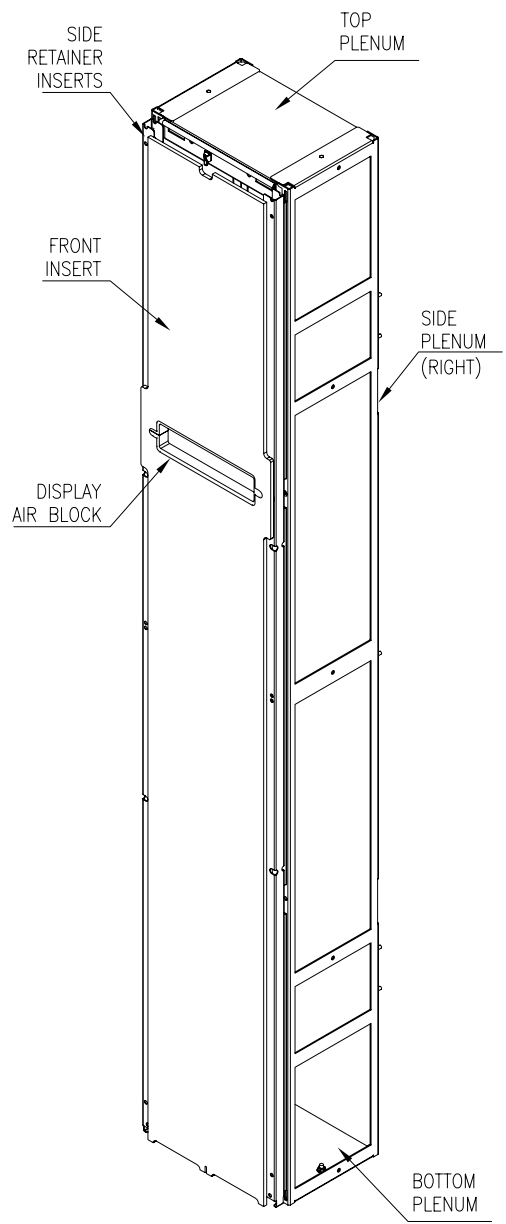
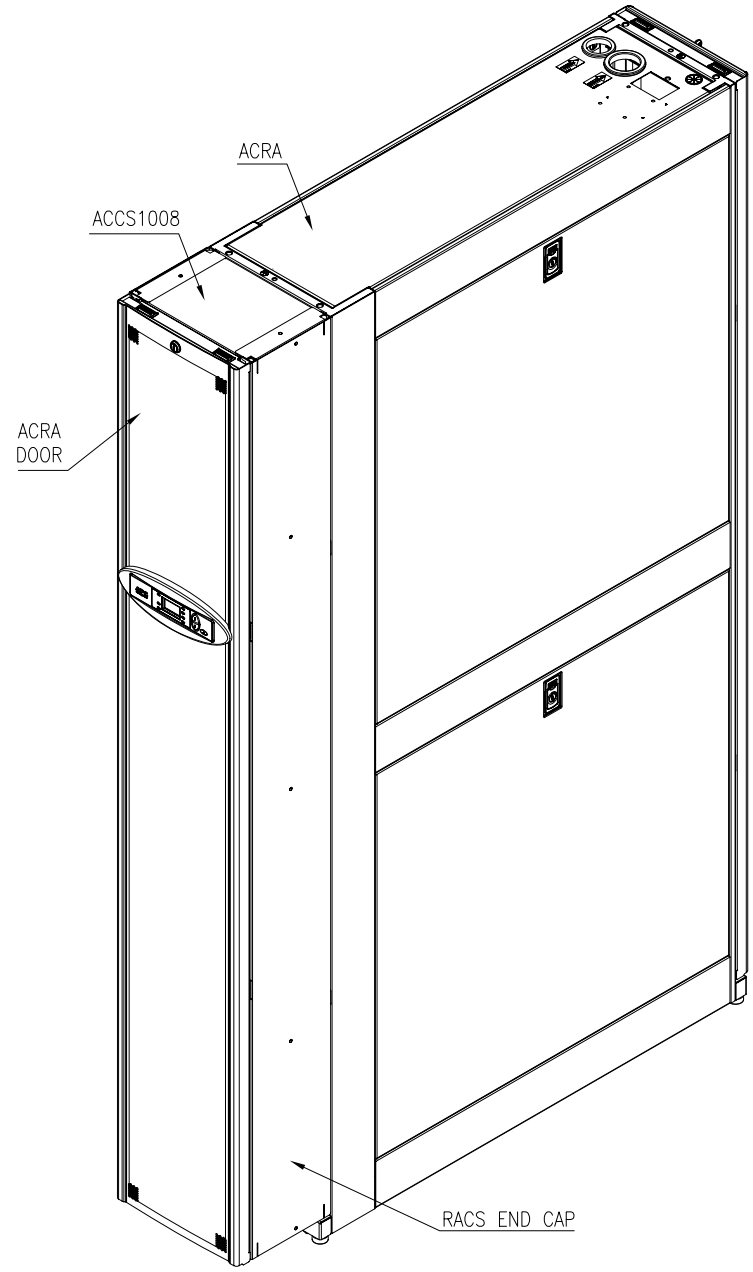


ACCS1008-ASSEMBLY



ISOMETRIC VIEW



ISOMETRIC VIEW
(TYPICAL ASSEMBLY-ACCS1008+ACCS1002+ACRA)

NOTES:

1. INSTALLATION SHALL COMPLY WITH ALL APPLICABLE NATIONAL, STATE AND LOCAL CODES.
2. PLEASE REFER TO PRODUCT DOCUMENTATION FOR FURTHER DETAILS

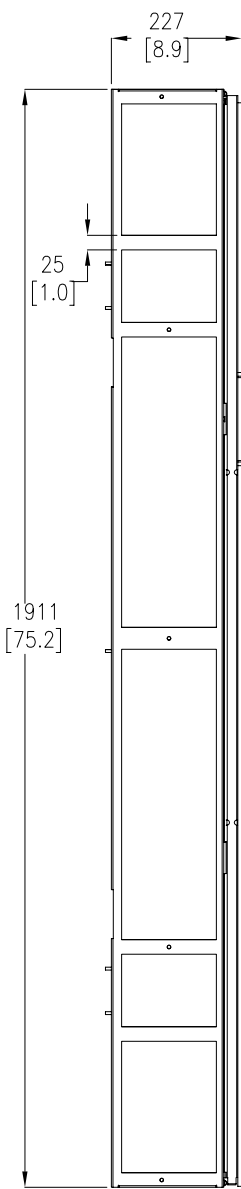
THIS DRAWING AND SPECIFICATIONS HEREIN ARE THE PROPERTY OF SCHNEIDER ELECTRIC AND SHALL NOT BE COPIED, REPRODUCED OR USED IN WHOLE OR IN PART, AS THE BASIS FOR THE MANUFACTURE OR SALE OF ITEMS WITHOUT WRITTEN PERMISSION FROM SCHNEIDER ELECTRIC. THIS DRAWING IS BASED UPON LATEST AVAILABLE INFORMATION AND IS SUBJECT TO CHANGE WITHOUT NOTICE.



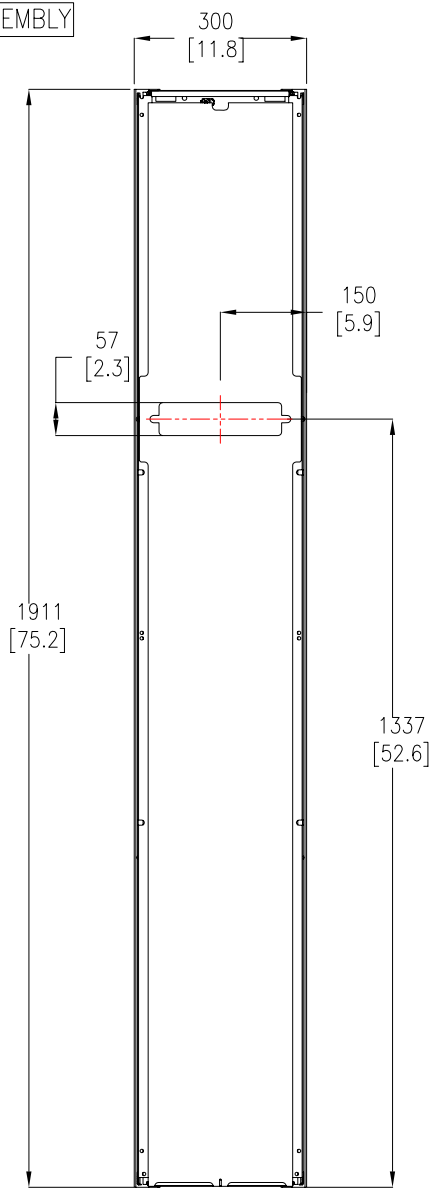
TITLE: Datacenter, Row Cooling
APC RACK AIR CONTAINMENT
InRow RA_300mm
FRONT ASSEMBLY
ISOMETRIC VIEW
PROJECT: SUBMITTAL DRAWINGS SHEET 1 OF 5

DWG NO:	ACCS1008	REV:	0
DRAWN:	C KRISHNA	01-JUN-11	FIRST ANGLE PROJECTION
ENGINEER:	CARA YU/ROBIN LI	01-JUN-11	
APPROVED:	G.UHRHAN/R.SUHR/RENGUO JIN	01-JUN-11	

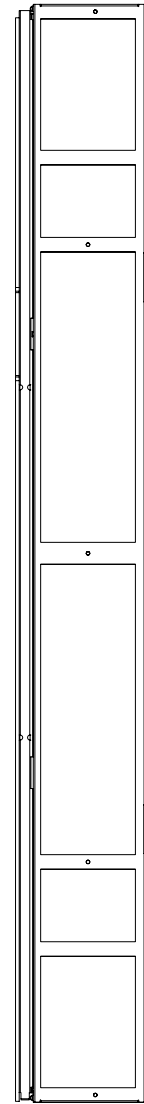
ACCS1008-ASSEMBLY



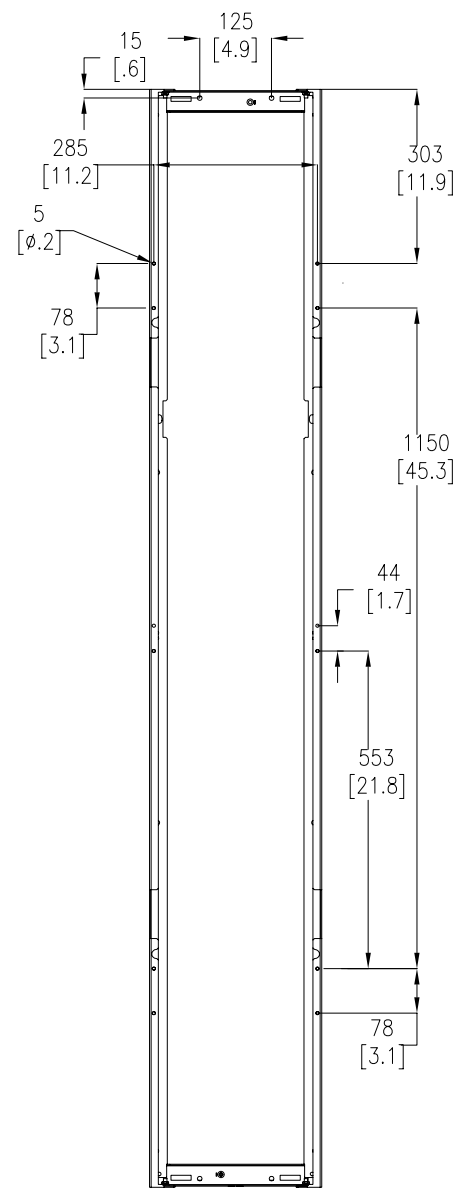
LEFT SIDE VIEW



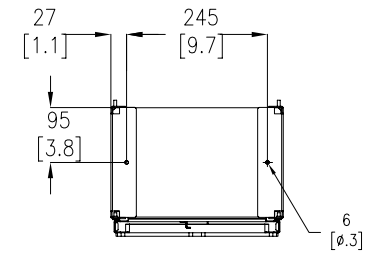
FRONT VIEW



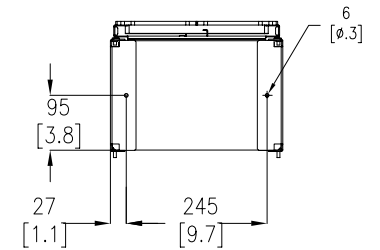
RIGHT SIDE VIEW



REAR VIEW



TOP VIEW



BOTTOM VIEW

NOTES:

1. INSTALLATION SHALL COMPLY WITH ALL APPLICABLE NATIONAL, STATE AND LOCAL CODES.
2. PLEASE REFER TO PRODUCT DOCUMENTATION FOR FURTHER DETAILS
3. ALL DIMENSIONS ARE IN MILLIMETERS [INCHES], UNLESS OTHERWISE SPECIFIED.
5. THE UNIT MUST BE USED IN CONJUNCTION WITH THE ACCS1002 AND ACRA.
PLEASE REFER TO THE PUMPED REFRIGERATION SYSTEM DESIGN MANUAL.

THIS DRAWING AND SPECIFICATIONS HEREIN ARE THE PROPERTY OF SCHNEIDER ELECTRIC AND SHALL NOT BE COPIED, REPRODUCED OR USED IN WHOLE OR IN PART, AS THE BASIS FOR THE MANUFACTURE OR SALE OF ITEMS WITHOUT WRITTEN PERMISSION FROM SCHNEIDER ELECTRIC. THIS DRAWING IS BASED UPON LATEST AVAILABLE INFORMATION AND IS SUBJECT TO CHANGE WITHOUT NOTICE.

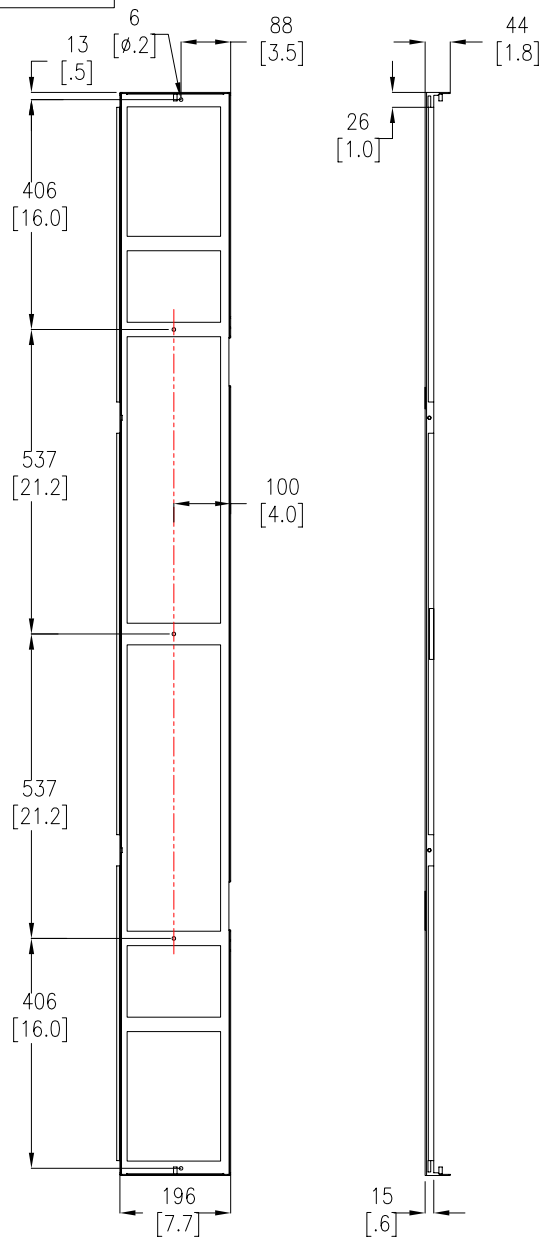


TITLE: Datacenter, Row Cooling
RACK AIR CONTAINMENT
InRow RA, 300mm
FRONT ASSEMBLY
MAIN MECHANICAL

PROJECT: SUBMITTAL DRAWINGS SHEET 2 OF 5

DWG NO:	ACCS1008	REV:	0
DRAWN:	K.NAGENDRA	01-JUN-11	FIRST ANGLE PROJECTION
ENGINEER:	CARA YU/ROBIN LI	01-JUN-11	
APPROVE:	B.UHRHAN/R.SUHR/RENGUO JIN	01-JUN-11	

LEFT PLENUM

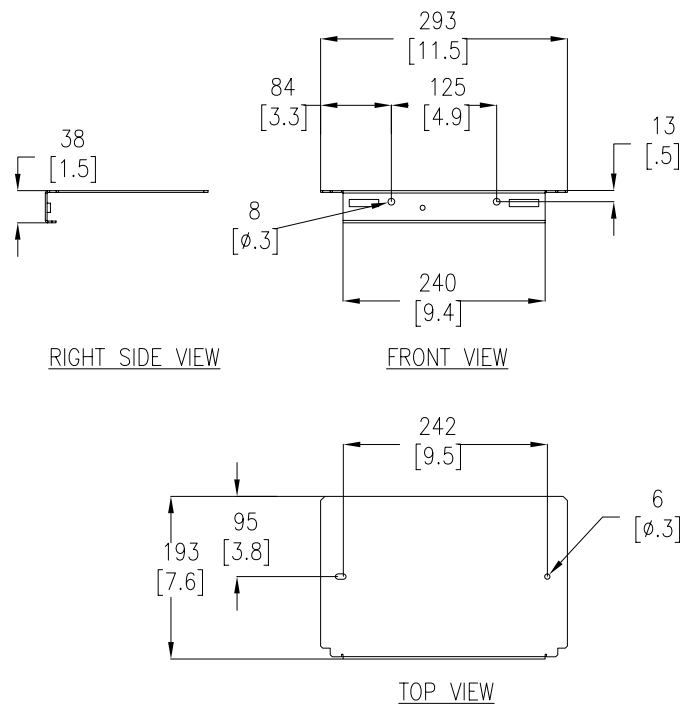


RIGHT SIDE VIEW

FRONT VIEW

TOP VIEW

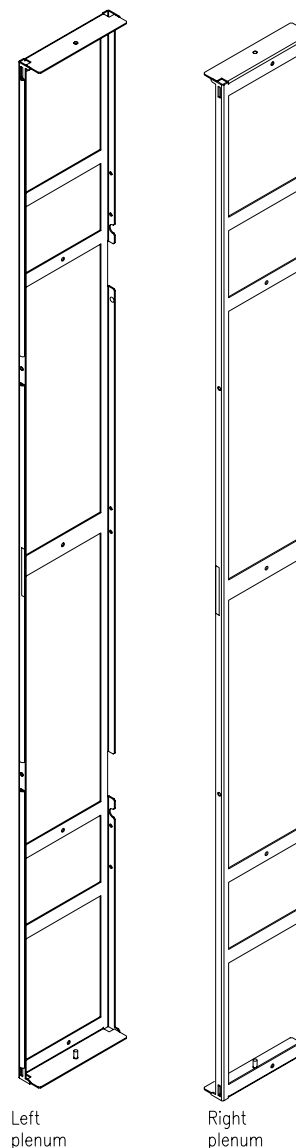
TOP PLENUM



RIGHT SIDE VIEW

FRONT VIEW

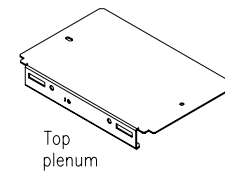
TOP VIEW



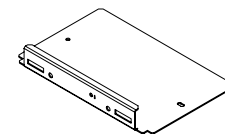
Left plenum

Right plenum

ISOMETRIC VIEW



Top plenum



Bottom plenum

NOTES:

1. INSTALLATION SHALL COMPLY WITH ALL APPLICABLE NATIONAL, STATE AND LOCAL CODES.
2. PLEASE REFER TO PRODUCT DOCUMENTATION FOR FURTHER DETAILS
3. ALL DIMENSIONS ARE IN MILLIMETERS [INCHES], UNLESS OTHERWISE SPECIFIED.
4. LEFT AND RIGHT PLENUM, TOP AND BOTTOM PLENUM ARE MIRROR SYMMETRIC WITH EACH OTHER.

THIS DRAWING AND SPECIFICATIONS HEREIN ARE THE PROPERTY OF SCHNEIDER ELECTRIC AND SHALL NOT BE COPIED, REPRODUCED OR USED IN WHOLE OR IN PART, AS THE BASIS FOR THE MANUFACTURE OR SALE OF ITEMS WITHOUT WRITTEN PERMISSION FROM SCHNEIDER ELECTRIC. THIS DRAWING IS BASED UPON LATEST AVAILABLE INFORMATION AND IS SUBJECT TO CHANGE WITHOUT NOTICE.



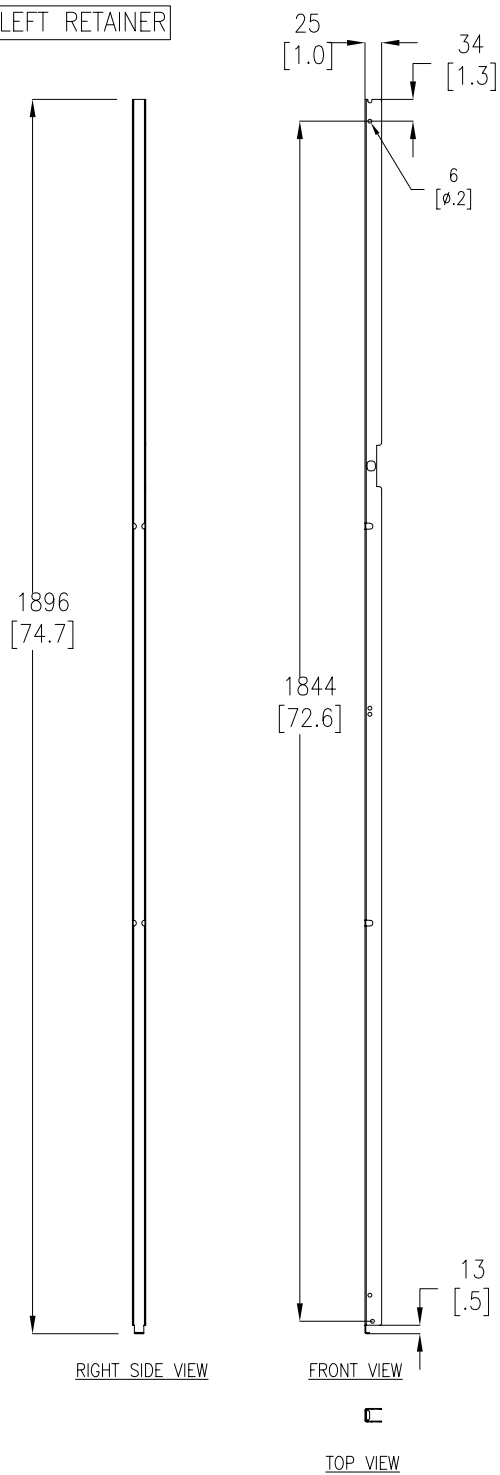
TITLE: Datacenter, Row Cooling RACK AIR CONTAINMENT InRow RA_300mm FRONT ASSEMBLY PLENUM

DWG NO: ACCS1008 REV: 0

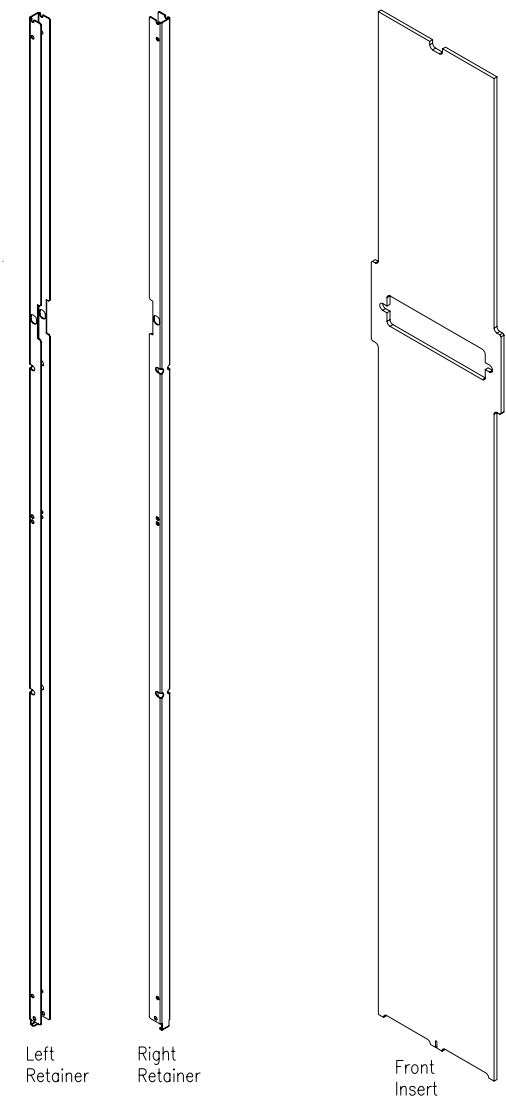
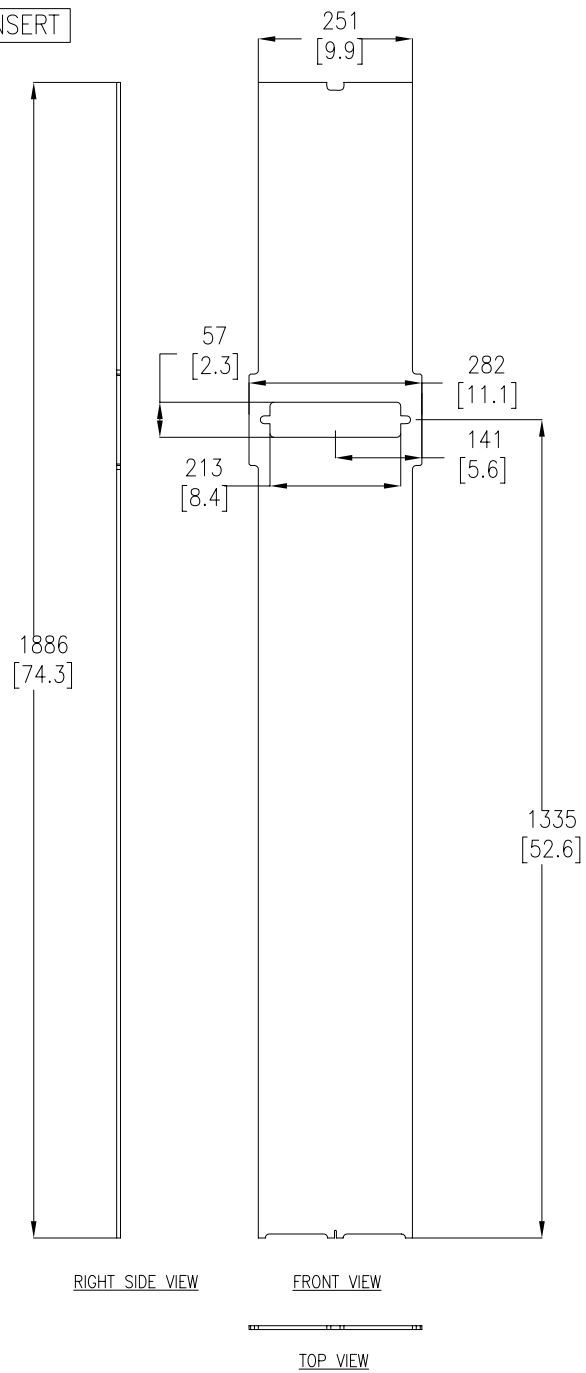
DRAWN: C KRISHNA 01-JUN-11 FIRST ANGLE PROJECTION

ENGINEER: CARA YU/ROBIN LI 01-JUN-11 APPROVE: B.UHRHAN/R.SUHR/RENGUO JIN 01-JUN-11

LEFT RETAINER



INSERT



ISOMETRIC VIEW

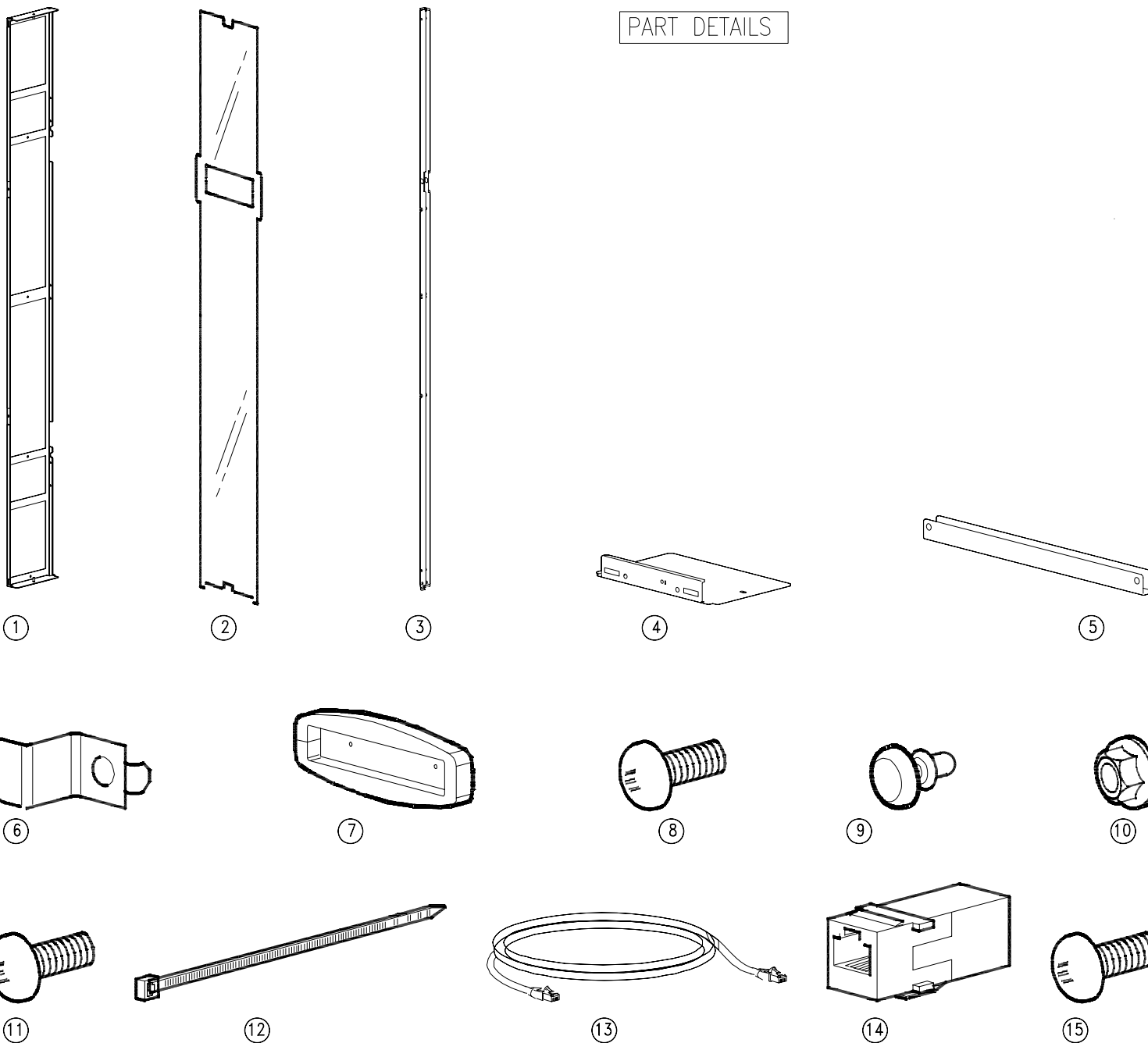
- NOTES:
1. INSTALLATION SHALL COMPLY WITH ALL APPLICABLE NATIONAL, STATE AND LOCAL CODES.
 2. PLEASE REFER TO PRODUCT DOCUMENTATION FOR FURTHER DETAILS
 3. ALL DIMENSIONS ARE IN MILLIMETERS [INCHES], UNLESS OTHERWISE SPECIFIED.
 4. LEFT AND RIGHT RETAINERS ARE MIRROR SYMMETRIC

THIS DRAWING AND SPECIFICATIONS HEREIN ARE THE PROPERTY OF SCHNEIDER ELECTRIC AND SHALL NOT BE COPIED, REPRODUCED OR USED IN WHOLE OR IN PART, AS THE BASIS FOR THE MANUFACTURE OR SALE OF ITEMS WITHOUT WRITTEN PERMISSION FROM SCHNEIDER ELECTRIC. THIS DRAWING IS BASED UPON LATEST AVAILABLE INFORMATION AND IS SUBJECT TO CHANGE WITHOUT NOTICE.



TITLE:	Datacenter, Row Cooling RACK AIR CONTAINMENT InRow RA_300mm FRONT ASSEMBLY RETAINER AND INSERT DETAILS		DWG NO:	ACCS1008	REV:	0
PROJECT:	SUBMITTAL DRAWINGS	SHEET 4 OF 5	DRAWN:	K.NAGENDRA	01-JUN-11	FIRST ANGLE PROJECTION
			ENGINEER:	CARA YU/ROBIN LI	01-JUN-11	
			APPROVE:	B.UHRHAN/R.SUHR/RENGUO JIN	01-JUN-11	

PART DETAILS



Item	Description	Quantity
1	Side plenums	2
2	Front insert	1
3	Side retainer insert	2
4	Top/Bottom plenums	2
5	Bottom retainer insert	1
6	Catch door plenum	1
7	Display air block	1
8	M5x12-mm Pan-head screws	10
9	6-mm Snap rivets	6
10	M6 Flanged hex nuts	4
11	M6x12-mm Pan-head screws	4
12	Wire tie	3
13	Display interface cable	1
14	RJ-45 Connector	1
15	Display mounting hardware (included with unit)	2

NOTES:

1. INSTALLATION SHALL COMPLY WITH ALL APPLICABLE NATIONAL, STATE AND LOCAL CODES.
2. PLEASE REFER TO PRODUCT DOCUMENTATION FOR FURTHER DETAILS.

THIS DRAWING AND SPECIFICATIONS HEREIN ARE THE PROPERTY OF SCHNEIDER ELECTRIC AND SHALL NOT BE COPIED, REPRODUCED OR USED IN WHOLE OR IN PART, AS THE BASIS FOR THE MANUFACTURE OR SALE OF ITEMS WITHOUT WRITTEN PERMISSION FROM SCHNEIDER ELECTRIC. THIS DRAWING IS BASED UPON LATEST AVAILABLE INFORMATION AND IS SUBJECT TO CHANGE WITHOUT NOTICE.



TITLE: Datacenter, Row Cooling
RACK AIR CONTAINMENT
InRow RA, 300mm
FRONT ASSEMBLY
PART DETAILS

DWG NO: ACCS1008 REV. 0

DRAWN: K.NAGENDRA 01-JUN-11 FIRST ANGLE

ENGINEER: CARA YU/ROBIN LI 01-JUN-11 PROJECTION

PROJECT: SUBMITTAL DRAWINGS SHEET 5 OF 5

APPROVE: B.UHRHAN/R.SUHR/RENGUO JIN 01-JUN-11