

LEGEND:

---	AC CABLE -- PROVIDED BY OTHERS
—	AC BUS
—	DC BUS

DEVICE	RATED SHORT CIRCUIT CURRENT
UPS	30kA I C SYMMETRICAL
XR BATTERY	10kA I C SYMMETRICAL
SBP	20kA I C SYMMETRICAL

DEVICE RATING FOR G35TSBPXFM10K30G (TO USE WITH 10 - 30kVA UPS)

Q1, Q2, Q3	125A	CB 3POLE 600V	SQUARE-D by Schneider Electric	HDL36125AB	2A/2B STANDARD
------------	------	---------------	--------------------------------	------------	----------------

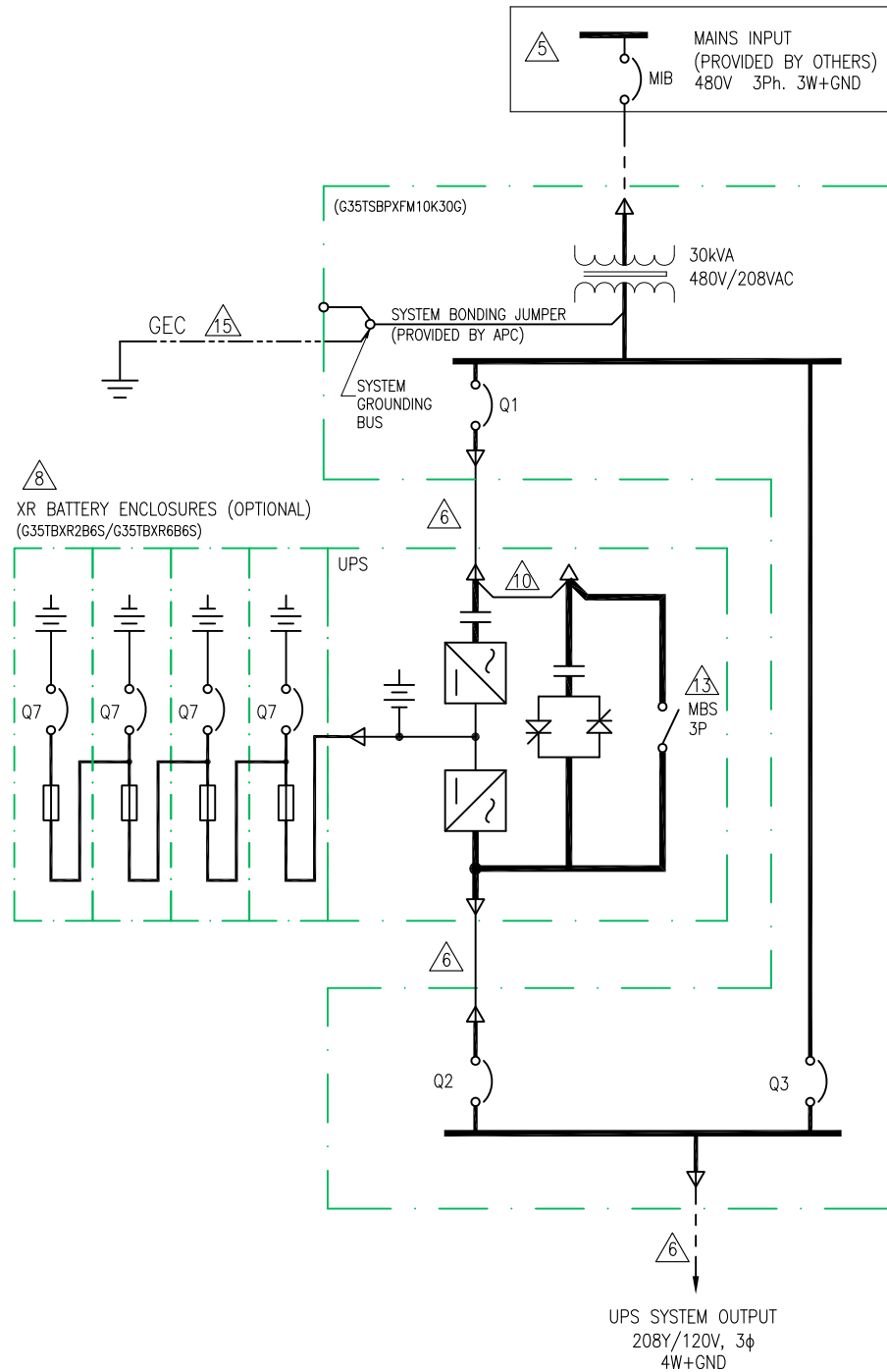
DEVICE RATING FOR G35TBXR2B6S/G35TBXR6B6S

Q7	250A	CB 3POLE 500V	SQUARE-D by Schneider Electric	KHL3625025DC1386	1-SHUNT TRIP (24VDC) 1-AUX. SWITCH
----	------	---------------	--------------------------------	------------------	------------------------------------

NOTES:

- INSTALLATION SHALL COMPLY WITH ALL APPLICABLE LOCAL AND NATIONAL CODES.
- PLEASE REFER TO PRODUCT DOCUMENTATION FOR ADDITIONAL DETAILS.
- DRAWING DEPICTS POWER SYSTEM CONNECTIONS AND IS NOT REPRESENTATIVE OF PHYSICAL LAYOUT, PLEASE REFER TO MECHANICAL DRAWINGS FOR PHYSICAL LAYOUT.
- ALL AC BREAKERS ARE 80% CONTINUOUS DUTY RATED WITH 2A/2B AUX CONTACTS FOR APC CONTROL AND COORDINATED WITH REQUIRED SYSTEM SETTINGS AS DETAILED IN PRODUCT DOCUMENTATION. ADDITIONAL 2A/2B AUX CONTACTS TO BE WIRED TO TERMINAL STRIP FOR CUSTOMER USE. BREAKER SIZING IS BASED ON NOMINAL MAINS VOLTAGE.

- AC SOURCE TO BE 480 VAC, 3W, 3Ph. (CONTACT APC IF OTHER)
- AC CABLING TO BE 600V RATED, 3 PHASE, 4W+GND.
- DC SOURCE TO BE 384VDC WITH CENTER TAP, 3W+GND.
- UP TO FOUR XR BATTERY ENCLOSURES CONNECTED TO THE UPS TO EXTEND BACKUP TIME.
- CABLE LUGS ARE PROVIDED BY OTHERS.
- REMOVABLE BUS LINK. TO BE REMOVED FOR DUAL MAINS.
- UPS INPUT AND OUTPUT CABLES SHOULD BE SEGREGATED.
- POWER WIRING AND CONTROL WIRING SHOULD BE SEGREGATED.
- TO BE REMOVED FOR PARALLEL INSTALLATION.
- SINGLE MODULE, FOR LINEUP CONFIGURATION ONLY
- THIS SYSTEM SHALL BE INSTALLED AS A SEPARATELY DERIVED SYSTEM IN ACCORDANCE WITH LOCAL AND NATIONAL CODES. THE GROUNDING ELECTRODE CONDUCTOR (GEC) SHALL BE PROVIDED BY OTHERS



THIS DRAWING AND SPECIFICATIONS HEREIN ARE THE PROPERTY OF SCHNEIDER ELECTRIC AND SHALL NOT BE COPIED, REPRODUCED OR USED IN WHOLE OR IN PART, AS THE BASIS FOR THE MANUFACTURE OR SALE OF ITEMS WITHOUT WRITTEN PERMISSION FROM SCHNEIDER ELECTRIC. THIS DRAWING IS BASED UPON LATEST AVAILABLE INFORMATION AND IS SUBJECT TO CHANGE WITHOUT NOTICE.



TITLE: MGE GALAXY 3500
INPUT: 480V 3PH, SINGLE MAINS
OUTPUT: 208V 3PH
10-30kVA 1MOD WITH XFM-SBP
SYSTEM SINGLE-LINE DIAGRAM

PROJECT: SUBMITTAL DRAWINGS SHEET 1 OF 3

DWG NO: G35TSBPXFM10K30G1C1-SD

DRAWN: C KRISHNA	01-APR-10
ENGINEER: M MAISSY	01-APR-10
APPROVED: B SHERIDAN	01-APR-10

REV. 0
PROJ ANGLE N/A

LEGEND:

---	AC CABLE - PROVIDED BY OTHERS
---	AC BUS
---	DC BUS

DEVICE	RATED SHORT CIRCUIT CURRENT
UPS	30kA/IC SYMMETRICAL
XR BATTERY	10kA/IC SYMMETRICAL
SBP	20kA/IC SYMMETRICAL

DEVICE RATING FOR G35TSBPXFM10K30G-DP (TO USE WITH 10 - 30kVA UPS)

Q1, Q2, Q3	125A	CB 3POLE 600V	SQUARE-D by Schneider Electric	HDL36125AB	2A/2B STANDARD
------------	------	---------------	-----------------------------------	------------	----------------

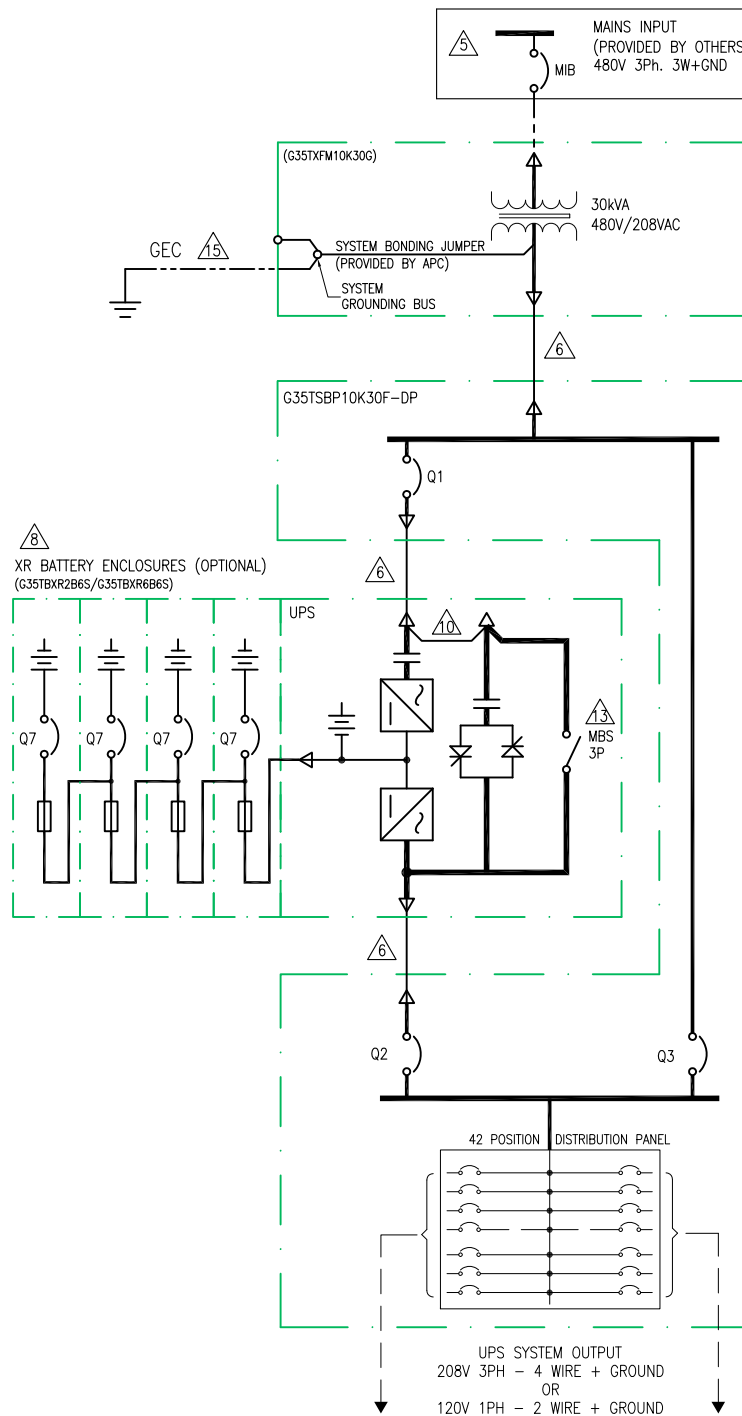
DEVICE RATING FOR G35TBXR2B6S/G35TBXR8B6S

Q7	250A	CB 3POLE 500V	SQUARE-D by Schneider Electric	KHL3625025DC1386	1-SHUNT TRIP (24VDC) 1-AUX. SWITCH
----	------	---------------	-----------------------------------	------------------	--

NOTES:

- INSTALLATION SHALL COMPLY WITH ALL APPLICABLE LOCAL AND NATIONAL CODES.
- PLEASE REFER TO PRODUCT DOCUMENTATION FOR ADDITIONAL DETAILS.
- DRAWING DEPICTS POWER SYSTEM CONNECTIONS AND IS NOT REPRESENTATIVE OF PHYSICAL LAYOUT. PLEASE REFER TO MECHANICAL DRAWINGS FOR PHYSICAL LAYOUT.
- ALL AC BREAKERS ARE 80% CONTINUOUS DUTY RATED WITH 2A/2B AUX CONTACTS FOR APC CONTROL AND COORDINATED WITH REQUIRED SYSTEM SETTINGS AS DETAILED IN PRODUCT DOCUMENTATION. ADDITIONAL 2A/2B AUX CONTACTS TO BE WIRED TO TERMINAL STRIP FOR CUSTOMER USE. BREAKER SIZING IS BASED ON NOMINAL MAINS VOLTAGE.

- AC SOURCE TO BE 480 VAC, 3W, 3Ph. (CONTACT APC IF OTHER)
- AC CABLING TO BE 600V RATED, 3 PHASE, 4W+GND.
- DC SOURCE TO BE 384VDC WITH CENTER TAP, 3W+GND.
- UP TO FOUR XR BATTERY ENCLOSURES CONNECTED TO THE UPS TO EXTEND BACKUP TIME.
- CABLE LUGS ARE PROVIDED BY OTHERS.
- REMOVABLE BUS LINK. TO BE REMOVED FOR DUAL MAINS.
- UPS INPUT AND OUTPUT CABLES SHOULD BE SEGREGATED.
- POWER WIRING AND CONTROL WIRING SHOULD BE SEGREGATED.
- TO BE REMOVED FOR PARALLEL INSTALLATION.
- SINGLE MODULE, FOR LINEUP CONFIGURATION ONLY
- THIS SYSTEM SHALL BE INSTALLED AS A SEPARATELY DERIVED SYSTEM IN ACCORDANCE WITH LOCAL AND NATIONAL CODES. THE GROUNDING ELECTRODE CONDUCTOR (GEC) SHALL BE PROVIDED BY OTHERS



THIS DRAWING AND SPECIFICATIONS HEREIN ARE THE PROPERTY OF SCHNEIDER ELECTRIC AND SHALL NOT BE COPIED, REPRODUCED OR USED IN WHOLE OR IN PART, AS THE BASIS FOR THE MANUFACTURE OR SALE OF ITEMS WITHOUT WRITTEN PERMISSION FROM SCHNEIDER ELECTRIC. THIS DRAWING IS BASED UPON LATEST AVAILABLE INFORMATION AND IS SUBJECT TO CHANGE WITHOUT NOTICE.



TITLE: MGE GALAXY 3500
INPUT: 480V 3PH, SINGLE MAINS
OUTPUT: 208V 3PH
10-30KVA 1MOD WITH XFM-SBP w/DISTRIBUTION
SYSTEM SINGLE-LINE DIAGRAM
PROJECT: SUBMITTAL DRAWINGS SHEET 2 OF 3

DWG NO: G35TSBPXFM10K30G1C1-DP-SD
DRAWN: C KRISHNA 01-APR-10
ENGINEER: M MAISSY 01-APR-10
APPROVED: B SHERIDAN 01-APR-10

REV. 0
PROJ ANGLE N/A

Galaxy 3500® 10K to 30K UPS Frame (1 Module) Site Planning Data - Transformer

Battery - Nominal Voltage : +/-192V DC

Input Voltage: 480V AC, Output Voltage : 208V AC

UPS Rating	SKU Number	System Input @ 480V AC			UPS Input @ 208V AC (Inverter operation)		Nominal System Bypass Current 208V AC (A)	System Output		Battery Current(A) (in UPS Cabinet)	Recommended Over current Protection Device Rating (MIB)
		Nominal Current (A) (Normal Operation)	Maximum Current (A) (Normal Operation)	Nominal Current (A) (Bypass Operation)	Nominal Current(A)	Maximum Current(A)		System output Power	Nominal Current(A)		
10kVA/8kW	G35T10KF1B2S	10.5	11.6	12.3	24.3	26.7	27.8	10kVA/8kW	27.8	27.5	50
	G35T10KF2B2S										
	G35T10KF1B4S										
	G35T10KF2B4S										
	G35T10KF3B4S										
	G35T10KF4B4S										
15kVA/12kW	G35T15KF2B2S	15.8	17.4	18.5	36.5	40.2	41.6	15kVA/12kW	41.6	41.2	50
	G35T15KF2B4S										
	G35T15KF3B4S										
	G35T15KF4B4S										
20kVA/16kW	G35T20KF2B2S	21	23.1	24.6	48.5	53.4	55.5	20kVA/16kW	55.5	55	50
	G35T20KF2B4S										
	G35T20KF3B4S										
	G35T20KF4B4S										
30kVA/24kW	G35T30KF3B4S	31.6	34.8	37.1	73	80.3	83.3	30kVA/24kW	83.3	82.5	50
	G35T30KF4B4S										

Notes.

1. Nominal Input current: based on nominal mains voltage + batteries fully charged at 100% ohmic load.
2. Maximum Input current based on fully battery recharge + nominal mains voltage at 100% ohmic load.
3. Recommended overcurrent protection is based on transformer inrush current.
4. Nominal battery voltage assumed to be 2.0 volts/ cell (lead acid technology)

THIS DRAWING AND SPECIFICATIONS HEREIN ARE THE PROPERTY OF SCHNEIDER ELECTRIC AND SHALL NOT BE COPIED, REPRODUCED OR USED IN WHOLE OR IN PART, AS THE BASIS FOR THE MANUFACTURE OR SALE OF ITEMS WITHOUT WRITTEN PERMISSION FROM SCHNEIDER ELECTRIC. THIS DRAWING IS BASED UPON LATEST AVAILABLE INFORMATION AND IS SUBJECT TO CHANGE WITHOUT NOTICE.



TITLE: MGE GALAXY 3500
 INPUT: 480V 3PH, SINGLE MAINS
 OUTPUT: 208V 3PH
 10-30KVA 1MOD WITH XFM-SBP w/DISTRIBUTION
 SITE PLANNING DATA
 PROJECT: SUBMITTAL DRAWINGS | SHEET 3 OF 3

DWG NO: G35TSBPXFM10K30G1C1-DP-SD
 DRAWN: C KRISHNA/S CUNHA | 03-MAR-14
 ENGINEER: M MAISSY | 03-MAR-14
 APPROVED: J RING/B SHERIDAN | 03-MAR-14

REV. 2
 PROJ ANGLE N/A