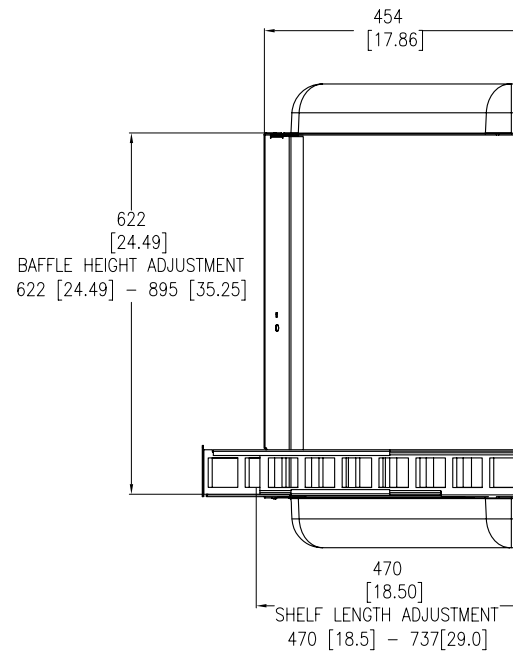
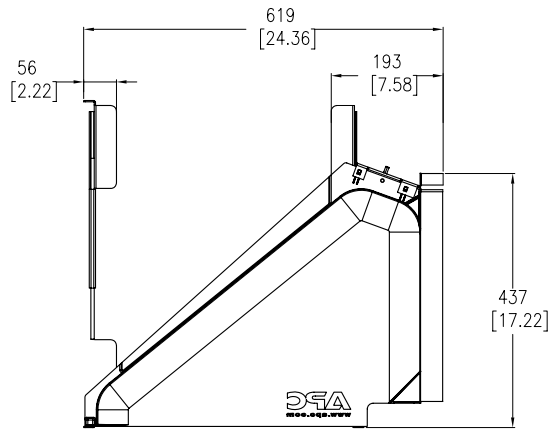


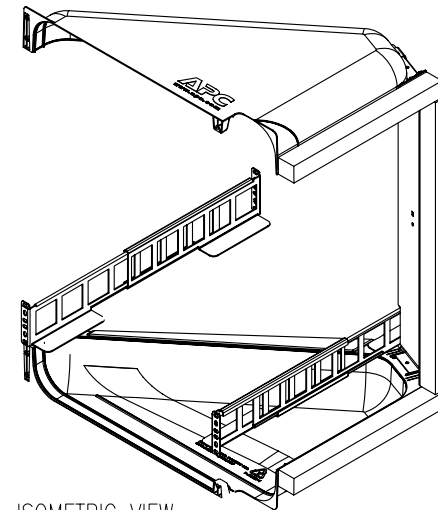
FRONT VIEW



SIDE VIEW



TOP VIEW



ISOMETRIC VIEW

NOTES:

1. INSTALLATION MUST COMPLY WITH NATIONAL AND LOCAL ELECTRICAL REGULATIONS.
2. PLEASE REFER TO THE PRODUCT MANUALS FOR DETAILED INFORMATION.
3. ALL DIMENSIONS ARE IN MILLIMETERS [INCHES].
4. NET WEIGHT OF UNIT IS 0.91 Kg [2 LBS]

THIS DRAWING AND SPECIFICATIONS HEREIN ARE THE PROPERTY OF SCHNEIDER ELECTRIC AND SHALL NOT BE COPIED, REPRODUCED OR USED IN WHOLE OR IN PART, AS THE BASIS FOR THE MANUFACTURE OR SALE OF ITEMS WITHOUT WRITTEN PERMISSION FROM SCHNEIDER ELECTRIC. THIS DRAWING IS BASED UPON LATEST AVAILABLE INFORMATION AND IS SUBJECT TO CHANGE WITHOUT NOTICE.



TITLE: NetShelter SX
SIDE AIRFLOW DUCT KIT
(AR7715)
MAIN MECHANICAL

PROJECT: SUBMITTAL DRAWINGS SHEET 1 OF 1

DWG NO: AR7715

DRAWN: C KRISHNA

ENGINEER: K THOMAS/J.KUMMER

APPROVED: B SHERIDAN/V DOSA/ C LARSEN/S BASH

30-NOV-09

30-NOV-09

30-NOV-09

REV. 0

FIRST

ANGLE

PROJECTION