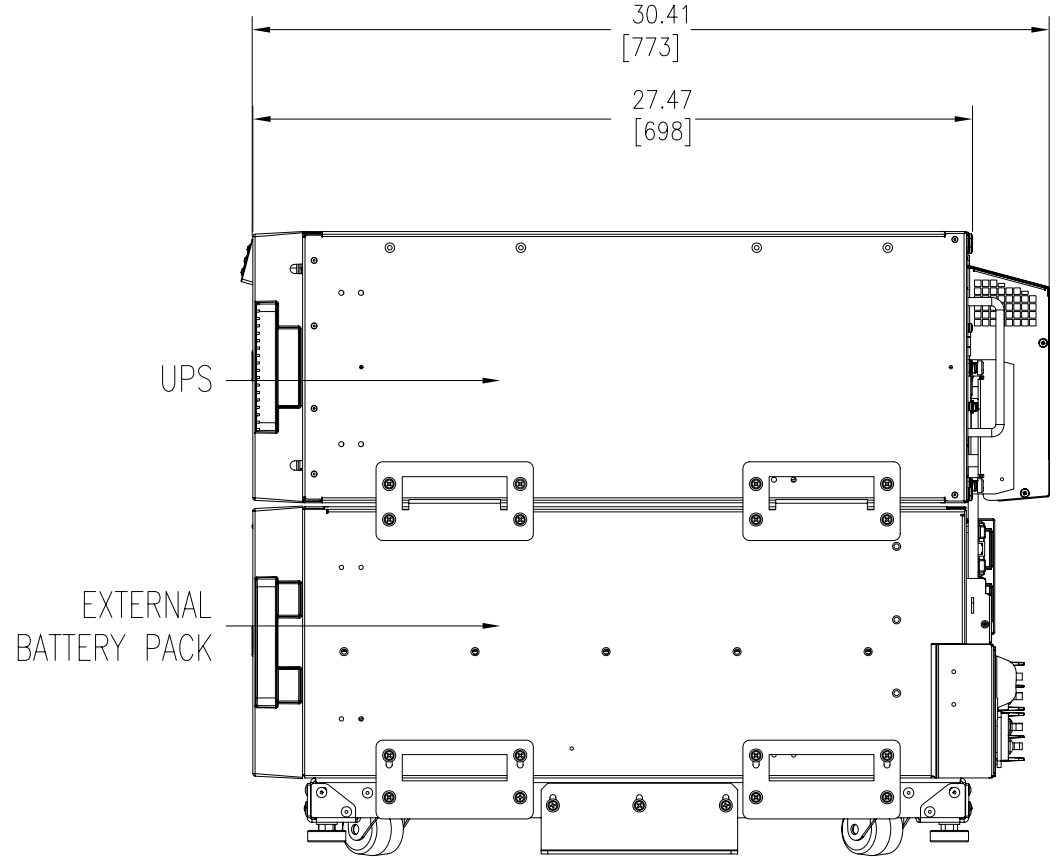


FRONT VIEW

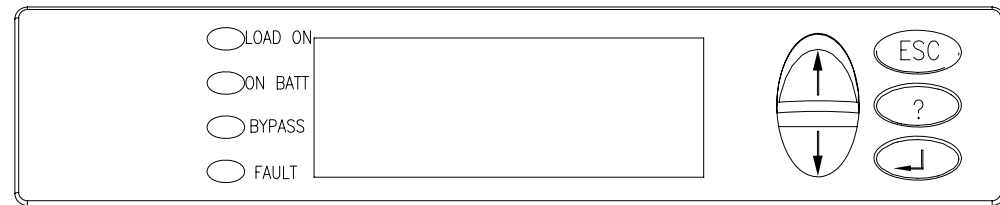


SIDE VIEW

6
UTILITY CART,
OPTIONAL

NOTES:

1. INSTALLATION SHALL COMPLY WITH ALL APPLICABLE LOCAL AND NATIONAL CODES.
2. PLEASE REFER TO PRODUCT MANUALS FOR ADDITIONAL DETAILS.
3. ALL DIMENSIONS ARE IN INCHES [MILLIMETERS].
4. UPS WEIGHT 145 LBS [66.0kg].
BATTERY PACK WEIGHT WITH 8 BATTERY MODULES 400 LBS [181.0kg].
BATTERY PACK WEIGHT WITHOUT BATTERY MODULES 96 LBS [44.0kg].
EACH BATTERY MODULE WEIGHT 38 LBS [17.0kg].
TOTAL WEIGHT OF UNIT IS 545 LBS [247.0 kg].
OPTIONAL UTILITY CART SURT013 ADDS A FURTHER 34 LBS [15kg]
TO THE TOTAL WEIGHT WHEN USED.
5. CABLE ENTRY IS FROM REAR SIDE OF THE UNIT.
6. UTILITY CART CAN BE ORDERED SEPARATELY AS SURT013 SKU NUMBER
7. THIS DRAWING PROVIDES INFORMATION FOR 15kVA AND 20kVA SURT PRODUCT
8. THE MAXIMUM SINGLE STACKABLE CONFIGURATION IS AN ADDITIONAL XLBP BATTERY PACK PLUS THE UPS AND ITS ASSOCIATED BATTERY PACK.



CONTROL PANEL
(ENLARGED VIEW)

THIS DRAWING AND SPECIFICATIONS HEREIN ARE THE PROPERTY OF SCHNEIDER ELECTRIC AND SHALL NOT BE COPIED, REPRODUCED OR USED IN WHOLE OR IN PART, AS THE BASIS FOR THE MANUFACTURE OR SALE OF ITEMS WITHOUT WRITTEN PERMISSION FROM SCHNEIDER ELECTRIC. THIS DRAWING IS BASED UPON LATEST AVAILABLE INFORMATION AND IS SUBJECT TO CHANGE WITHOUT NOTICE.

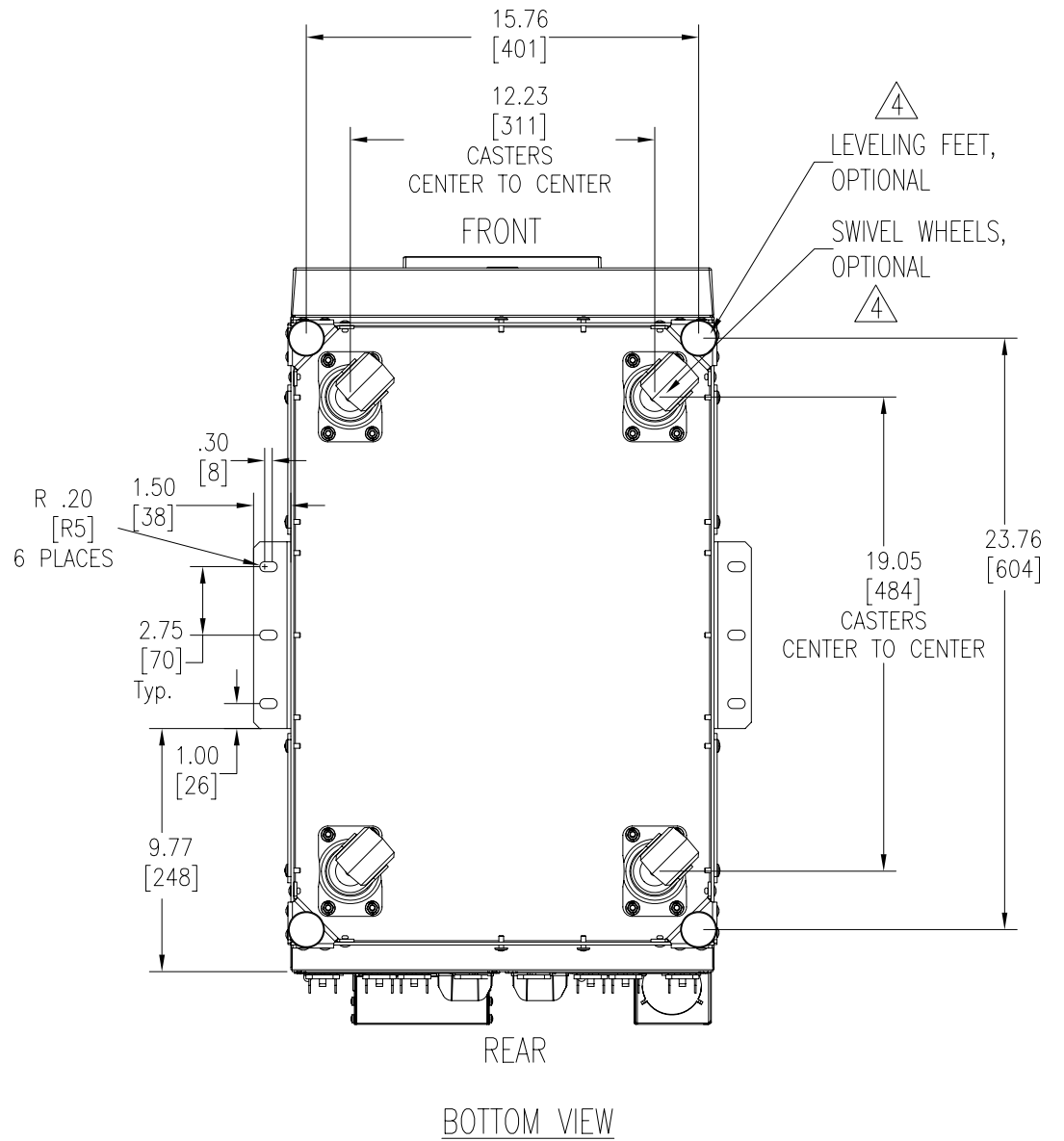
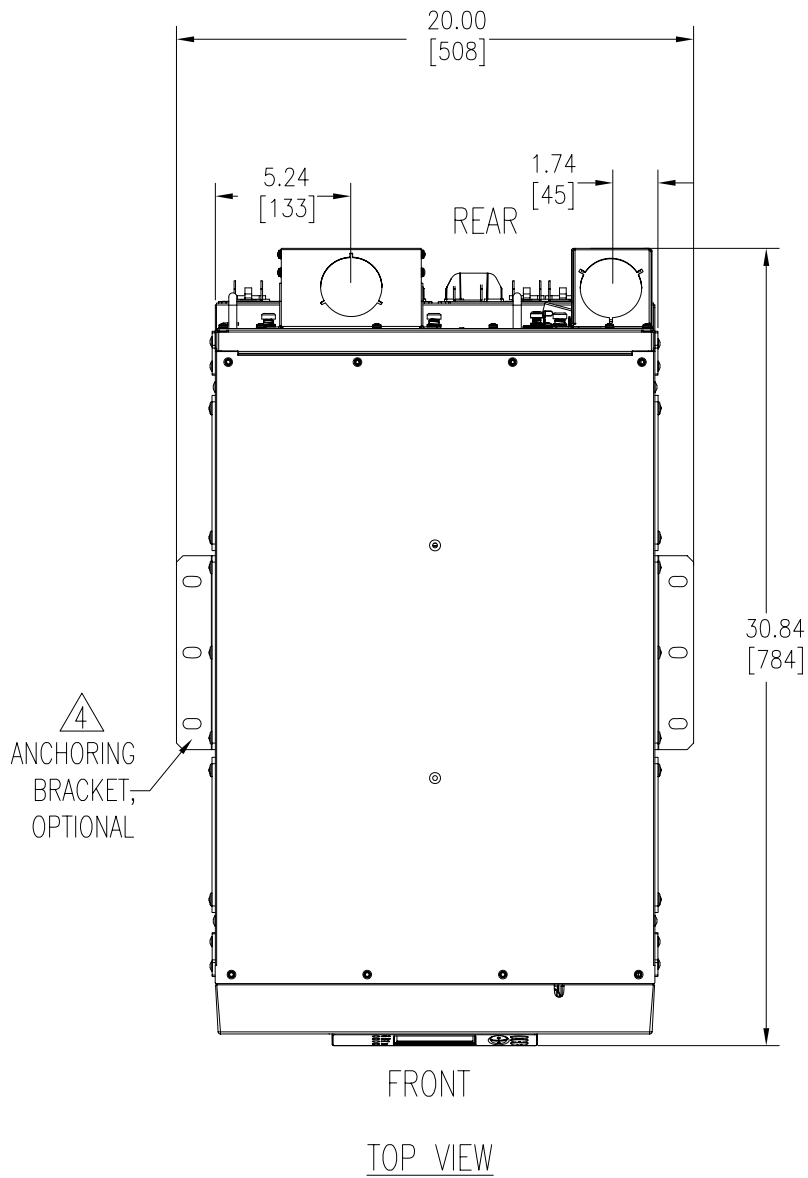
Schneider Electric

TITLE: Smart-UPS On-Line
INPUT: 208VAC(2PH+G) 60Hz
OUTPUT: 208VAC(2PH+G) 60Hz
MAIN MECHANICAL

PROJECT: SUBMITTAL DRAWINGS SHEET 1 OF 5

DWG NO: SURT15-20KRMXLT REV. 0

DRAWN: C KRISHNA	20-OCT-09	THIRD ANGLE PROJECTION
ENGINEER: E KOTLYAR	20-OCT-09	
APPROVED: J.PRECOPIO	20-OCT-09	



NOTES:

1. INSTALLATION SHALL COMPLY WITH ALL APPLICABLE LOCAL AND NATIONAL CODES.
 2. PLEASE REFER TO PRODUCT MANUALS FOR ADDITIONAL DETAILS.
 3. ALL DIMENSIONS ARE IN INCHES [MILLIMETERS].
- △4. ANCHORING BRACKET, SWIVEL WHEELS AND LEVELING FEET CAN BE ORDERED SEPARATELY AS PART OF SURTO13 UTILITY CART

THIS DRAWING AND SPECIFICATIONS HEREIN ARE THE PROPERTY OF SCHNEIDER ELECTRIC AND SHALL NOT BE COPIED, REPRODUCED OR USED IN WHOLE OR IN PART, AS THE BASIS FOR THE MANUFACTURE OR SALE OF ITEMS WITHOUT WRITTEN PERMISSION FROM SCHNEIDER ELECTRIC. THIS DRAWING IS BASED UPON LATEST AVAILABLE INFORMATION AND IS SUBJECT TO CHANGE WITHOUT NOTICE.



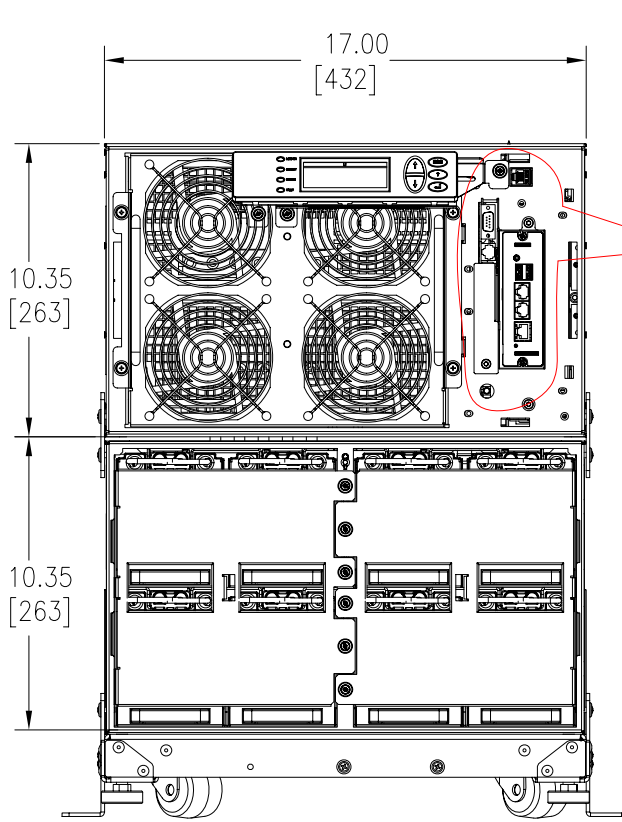
TITLE: Smart-UPS On-Line
 INPUT: 208VAC(2PH+G) 60Hz
 OUTPUT:208VAC(2PH+G) 60Hz
 TOP AND BOTTOM VIEWS

PROJECT: SUBMITTAL DRAWINGS SHEET 2 OF 5

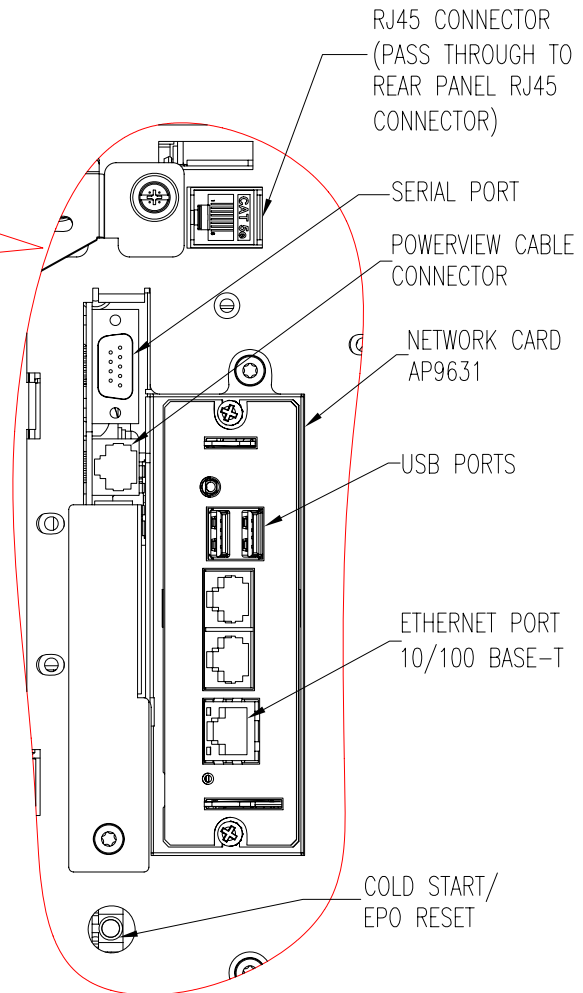
DWG NO: SURT15-20KRMXLT REV. 0

DRAWN:	C KRISHNA	20-OCT-09
ENGINEER:	E KOTLYAR	20-OCT-09
APPROVED:	J.PRECOPIO	20-OCT-09

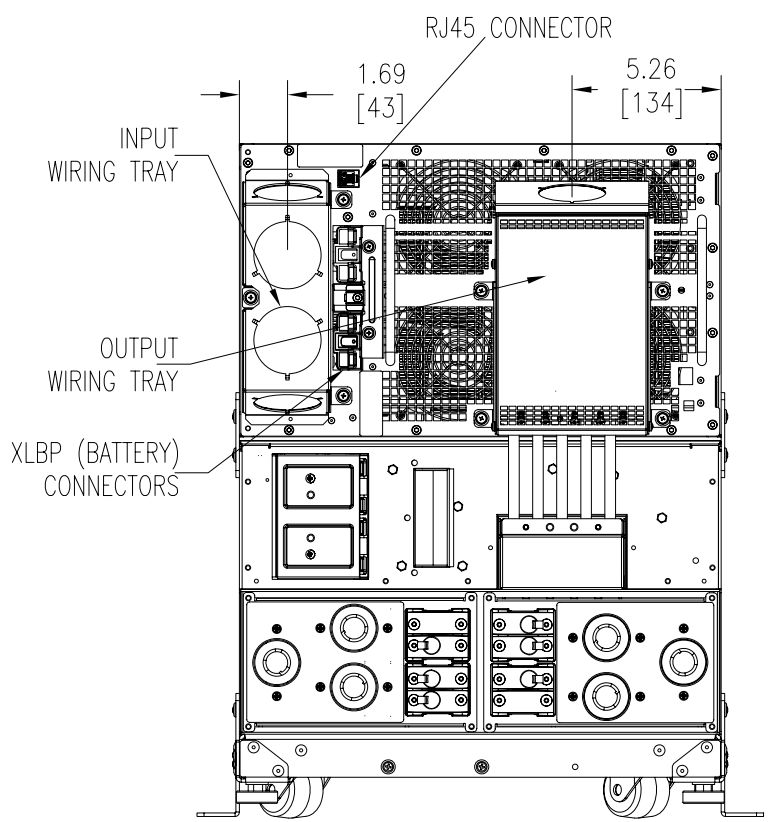
THIRD ANGLE PROJECTION



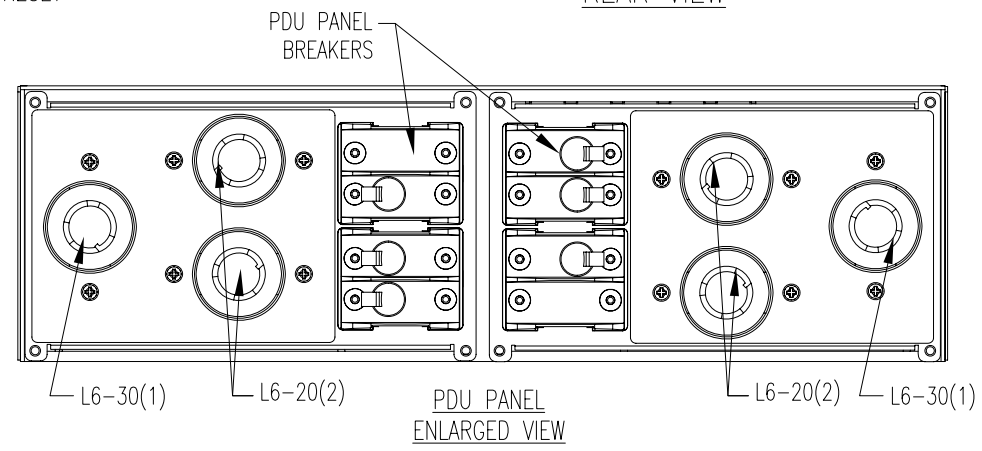
FRONT VIEW
(BEZELS REMOVED)



INTERFACE
ENLARGED VIEW



REAR VIEW



- NOTES:
1. INSTALLATION SHALL COMPLY WITH ALL APPLICABLE LOCAL AND NATIONAL CODES.
 2. PLEASE REFER TO PRODUCT MANUALS FOR ADDITIONAL DETAILS.
 3. ALL DIMENSIONS ARE IN INCHES [MILLIMETERS].

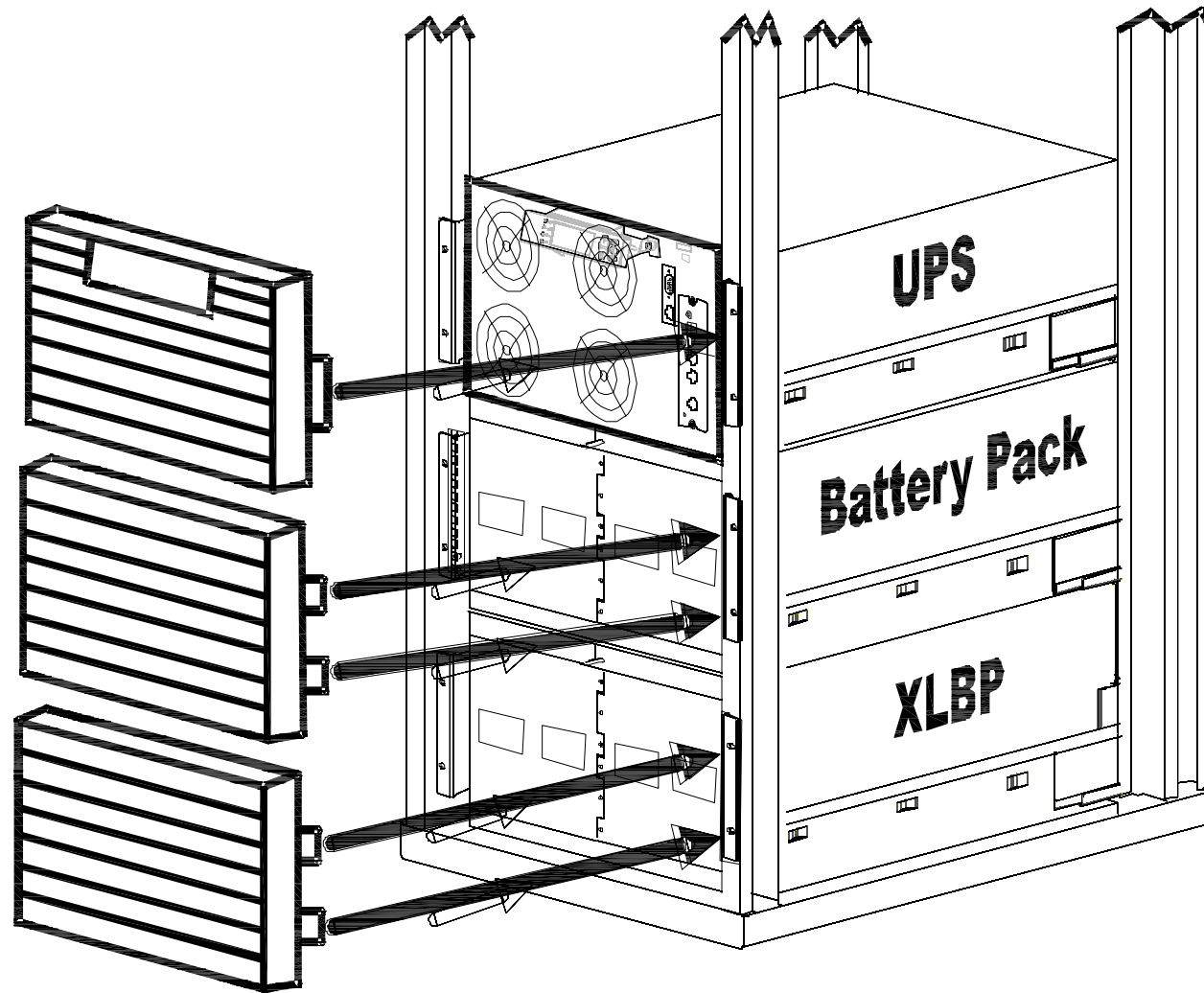
THIS DRAWING AND SPECIFICATIONS HEREIN ARE THE PROPERTY OF SCHNEIDER ELECTRIC AND SHALL NOT BE COPIED, REPRODUCED OR USED IN WHOLE OR IN PART, AS THE BASIS FOR THE MANUFACTURE OR SALE OF ITEMS WITHOUT WRITTEN PERMISSION FROM SCHNEIDER ELECTRIC. THIS DRAWING IS BASED UPON LATEST AVAILABLE INFORMATION AND IS SUBJECT TO CHANGE WITHOUT NOTICE.



TITLE: Smart-UPS On-Line
INPUT: 208VAC(2PH+G) 60Hz
OUTPUT: 208VAC(2PH+G) 60Hz
INTERNAL VIEWS

PROJECT: SUBMITTAL DRAWINGS SHEET 3 OF 5

DWG NO:	SURT15-20KRMXLT		REV:	0
DRAWN:	C KRISHNA	20-OCT-09	THIRD ANGLE PROJECTION	
ENGINEER:	E KOTLYAR	20-OCT-09		
APPROVED:	J.PRECOPIO	20-OCT-09		



ISOMETRIC VIEW

NOTES:

1. INSTALLATION SHALL COMPLY WITH ALL APPLICABLE LOCAL AND NATIONAL CODES.
2. PLEASE REFER TO PRODUCT MANUALS FOR ADDITIONAL DETAILS.
3. ALL DIMENSIONS ARE IN INCHES [MILLIMETERS].
4. MAXIMUM NUMBER OF EXTERNAL BATTERY PACKS MUST NOT EXCEED 10

THIS DRAWING AND SPECIFICATIONS HEREIN ARE THE PROPERTY OF SCHNEIDER ELECTRIC AND SHALL NOT BE COPIED, REPRODUCED OR USED IN WHOLE OR IN PART, AS THE BASIS FOR THE MANUFACTURE OR SALE OF ITEMS WITHOUT WRITTEN PERMISSION FROM SCHNEIDER ELECTRIC. THIS DRAWING IS BASED UPON LATEST AVAILABLE INFORMATION AND IS SUBJECT TO CHANGE WITHOUT NOTICE.



TITLE: Smart-UPS On-Line
 INPUT: 208VAC(2PH+G) 60Hz
 OUTPUT:208VAC(2PH+G) 60Hz
 ISOMETRIC VIEWS

DWG NO: SURT15-20KRMXL

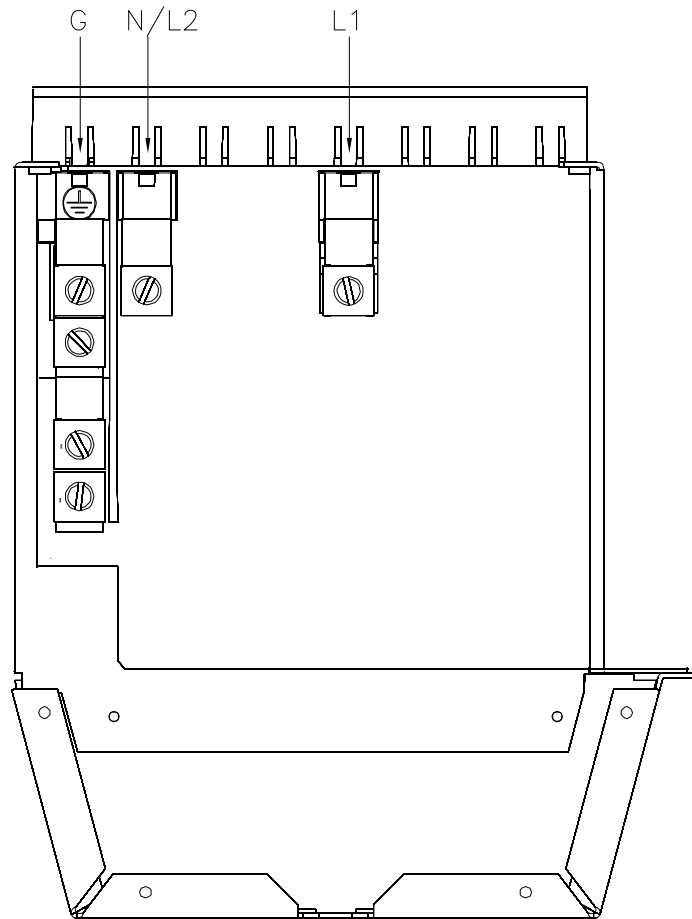
REV. 0

DRAWN: C KRISHNA 20-OCT-09

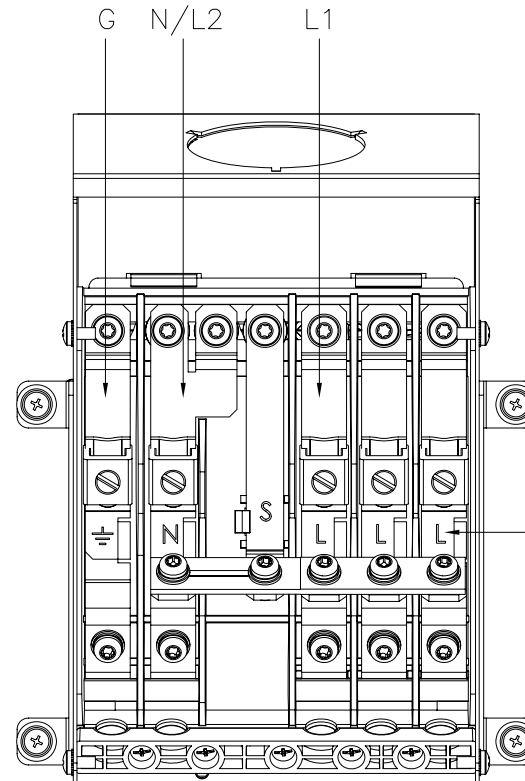
ENGINEER: E KOTLYAR 20-OCT-09

APPROVED: J.PRECOPIO 20-OCT-09

THIRD ANGLE PROJECTION



INPUT CONNECTION
DETAILS HARDWIRING



OUTPUT CONNECTION
DETAILS HARDWIRING

ENSURE THE (OSJ) IS SECURED TO THE OUTPUT WIRING TRAY USING THE FIVE SCREWS SUPPLIED.

NOTES:

1. INSTALLATION SHALL COMPLY WITH ALL APPLICABLE LOCAL AND NATIONAL CODES.
2. PLEASE REFER TO PRODUCT MANUALS FOR ADDITIONAL DETAILS.
3. ALL DIMENSIONS ARE IN INCHES [MILLIMETERS].

THIS DRAWING AND SPECIFICATIONS HEREIN ARE THE PROPERTY OF SCHNEIDER ELECTRIC AND SHALL NOT BE COPIED, REPRODUCED OR USED IN WHOLE OR IN PART, AS THE BASIS FOR THE MANUFACTURE OR SALE OF ITEMS WITHOUT WRITTEN PERMISSION FROM SCHNEIDER ELECTRIC. THIS DRAWING IS BASED UPON LATEST AVAILABLE INFORMATION AND IS SUBJECT TO CHANGE WITHOUT NOTICE.



TITLE: Smart-UPS On-Line
INPUT: 208VAC(2PH+G) 60Hz
OUTPUT:208VAC(2PH+G) 60Hz
INPUT AND OUTPUT DETAILS

PROJECT: SUBMITTAL DRAWINGS SHEET 5 OF 5

DWG NO: SURT15-20KRMXLT

DRAWN:	C KRISHNA	20-OCT-09
ENGINEER:	E KOTLYAR	20-OCT-09
APPROVED:	J.PRECOPIO	20-OCT-09

REV. 0
THIRD ANGLE PROJECTION