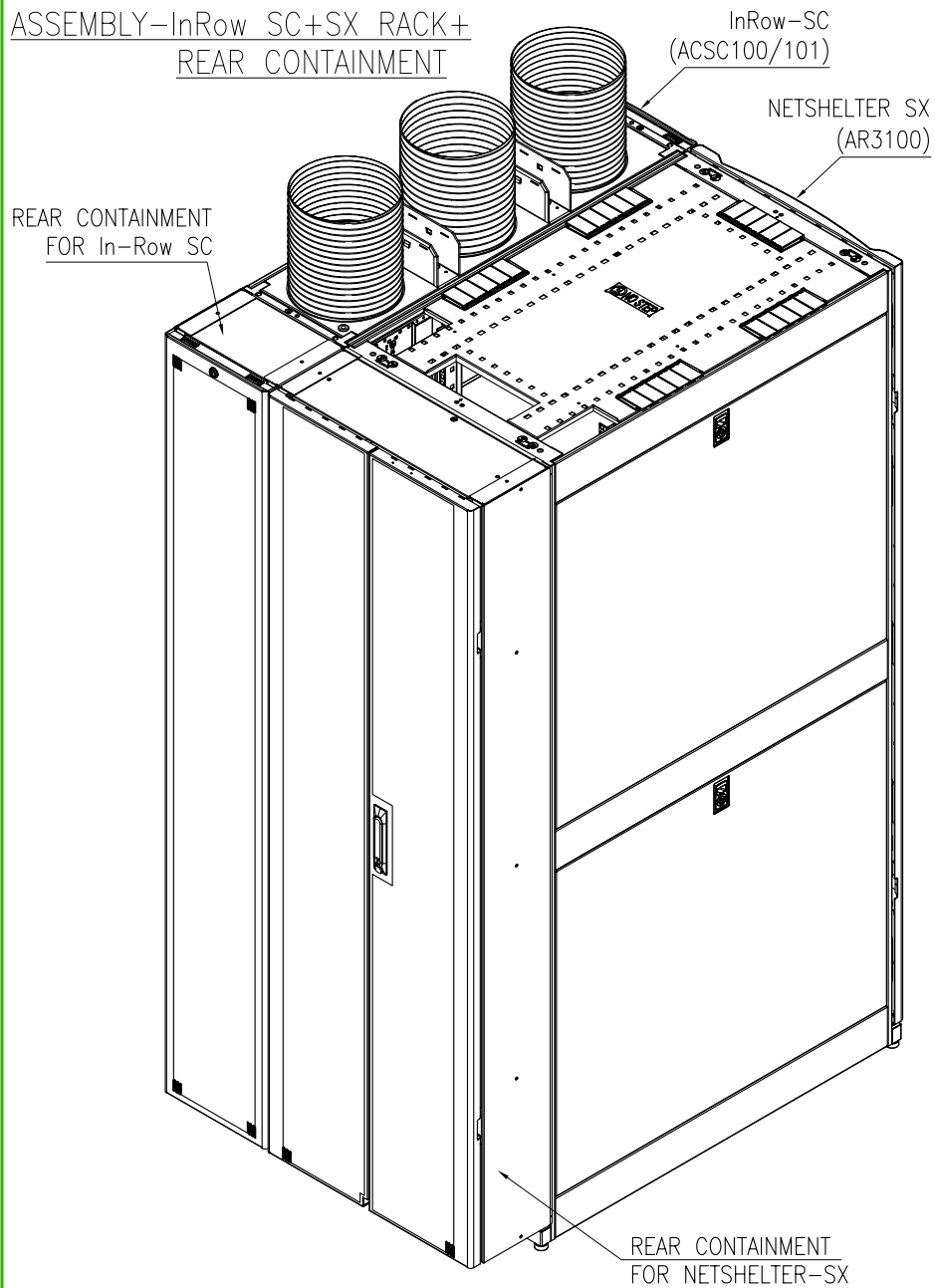


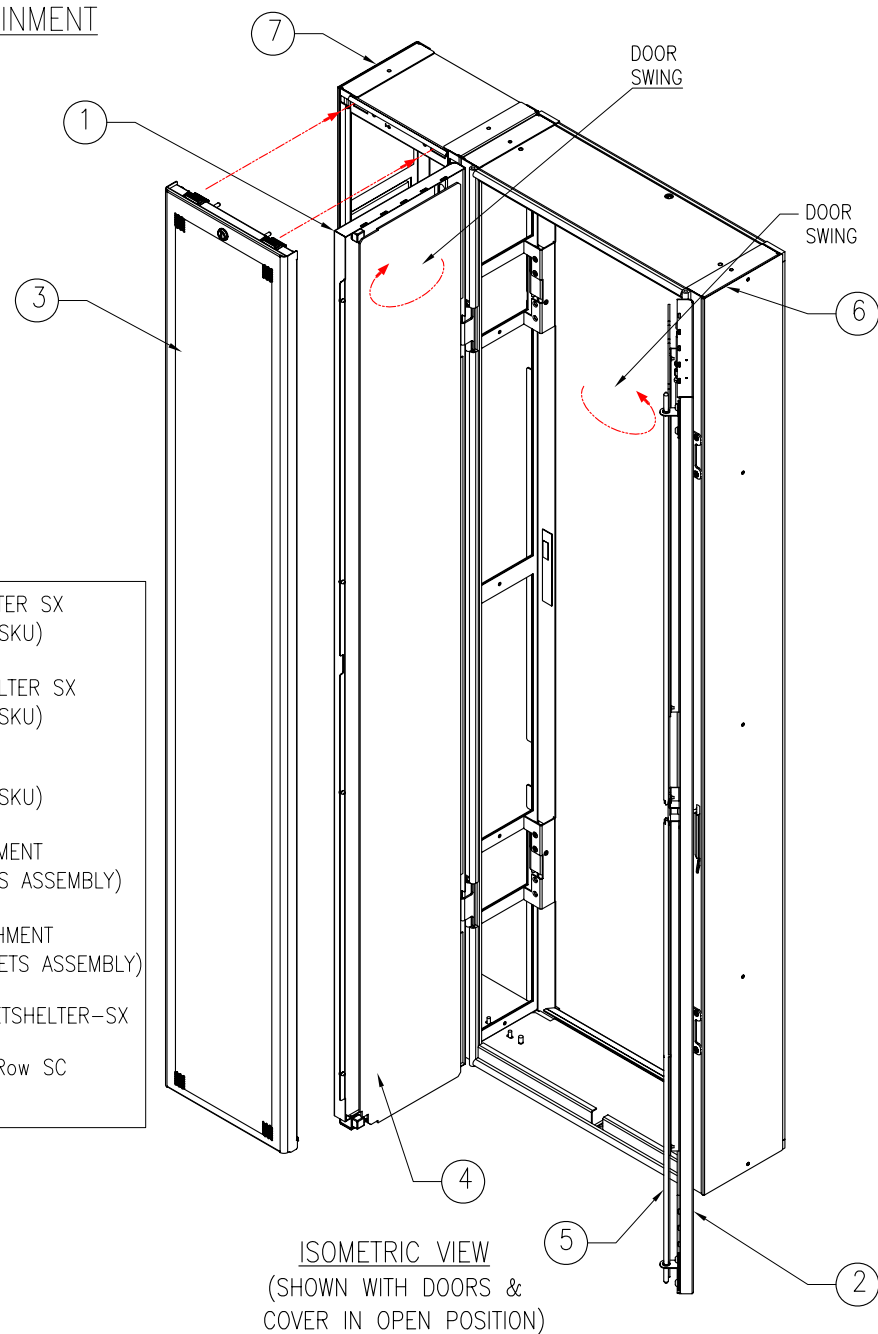
ASSEMBLY-InRow SC+SX RACK+
REAR CONTAINMENT



NOTES:

1. INSTALLATION SHALL COMPLY WITH ALL APPLICABLE NATIONAL, STATE AND LOCAL CODES.
2. PLEASE REFER TO PRODUCT DOCUMENTATION FOR FURTHER INFORMATION.
3. ALL DIMENSIONS ARE IN MILLIMETERS [INCHES], UNLESS OTHERWISE SPECIFIED.
4. NET WEIGHT OF THE UNIT IS 331.6 kg [729.7 LBS].
5. PLEASE REFER In-Row SC (ACSC100/ACSC101) AND NETSHELTER SX RACK (AR3100) FOR ADDITIONAL DETAILS.

ASSEMBLY-REAR CONTAINMENT



- ① REAR DOOR(LEFT)-NETSHELTER SX (NOT SUPPLIED WITH THIS SKU)
- ② REAR DOOR(RIGHT)-NETSHELTER SX (NOT SUPPLIED WITH THIS SKU)
- ③ REAR COVER-InRow SC (NOT SUPPLIED WITH THIS SKU)
- ④ REAR DOOR (LEFT)-ATTACHMENT (LEXAN INSERT & BRACKETS ASSEMBLY)
- ⑤ REAR DOOR (RIGHT)-ATTACHMENT (LEXAN INSERT AND BRACKETS ASSEMBLY)
- ⑥ REAR CONTAINMENT FOR NETSHELTER-SX
- ⑦ REAR CONTAINMENT FOR InRow SC

THIS DRAWING AND SPECIFICATIONS HEREIN ARE THE PROPERTY OF SCHNEIDER ELECTRIC AND SHALL NOT BE COPIED, REPRODUCED OR USED IN WHOLE OR IN PART, AS THE BASIS FOR THE MANUFACTURE OR SALE OF ITEMS WITHOUT WRITTEN PERMISSION FROM SCHNEIDER ELECTRIC. THIS DRAWING IS BASED UPON LATEST AVAILABLE INFORMATION AND IS SUBJECT TO CHANGE WITHOUT NOTICE.

Schneider Electric

TITLE:

InRow SC SYSTEM
1 In-Row SC, 1 RACK AND
REAR CONTAINMENT
ASSEMBLY

PROJECT: SUBMITTAL DRAWINGS SHEET 1 OF 6

DWG NO:

RACSC101-RACSC101E

REV. 0

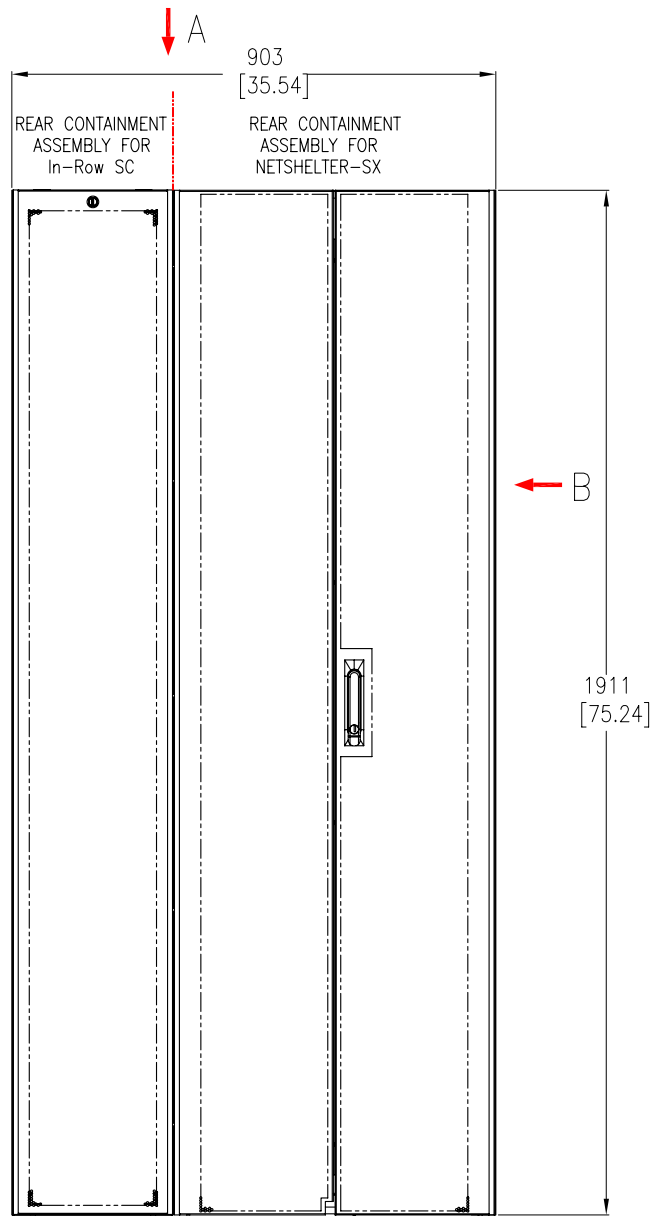
DRAWN: C KRISHNA 21-APR-09

ENGINEER: M.FIACCO/M.BROWN 21-APR-09

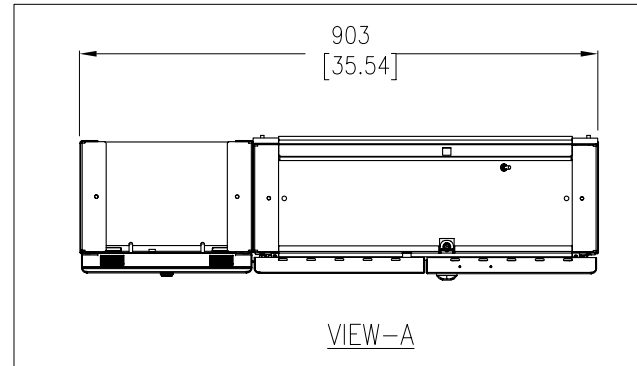
APPROVED: C.CUMMISKEY/A.KUKLA 21-APR-09

ANGLE
PROJECTION
N.A.

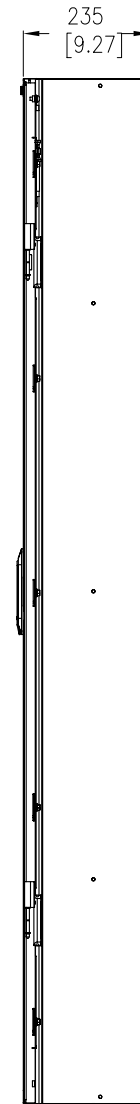
REAR CONTAINMENT-ASSEMBLY DETAILS



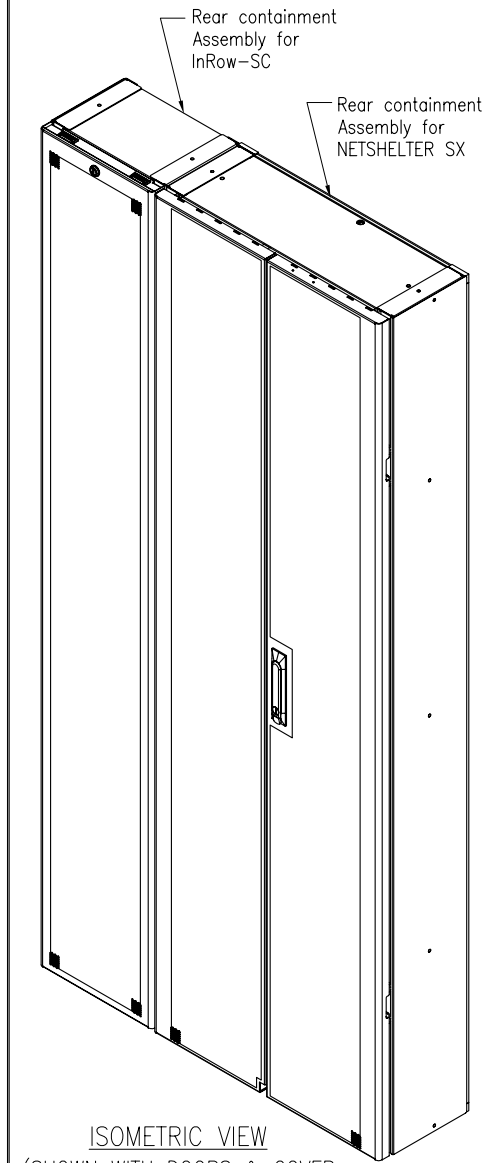
FRONT VIEW



VIEW-A



VIEW-B



ISOMETRIC VIEW
(SHOWN WITH DOORS & COVER
IN CLOSED POSITION)

NOTES:

1. INSTALLATION SHALL COMPLY WITH ALL APPLICABLE NATIONAL, STATE AND LOCAL CODES.
2. PLEASE REFER TO PRODUCT DOCUMENTATION FOR FURTHER INFORMATION.
3. ALL DIMENSIONS ARE IN MILLIMETERS [INCHES], UNLESS OTHERWISE SPECIFIED.

THIS DRAWING AND SPECIFICATIONS HEREIN ARE THE PROPERTY OF SCHNEIDER ELECTRIC AND SHALL NOT BE COPIED, REPRODUCED OR USED IN WHOLE OR IN PART, AS THE BASIS FOR THE MANUFACTURE OR SALE OF ITEMS WITHOUT WRITTEN PERMISSION FROM SCHNEIDER ELECTRIC. THIS DRAWING IS BASED UPON LATEST AVAILABLE INFORMATION AND IS SUBJECT TO CHANGE WITHOUT NOTICE.



TITLE:

InRow SC SYSTEM
1 In-Row SC, 1 RACK AND
REAR CONTAINMENT
ASSEMBLY DETAILS

PROJECT: SUBMITTAL DRAWINGS SHEET 2 OF 6

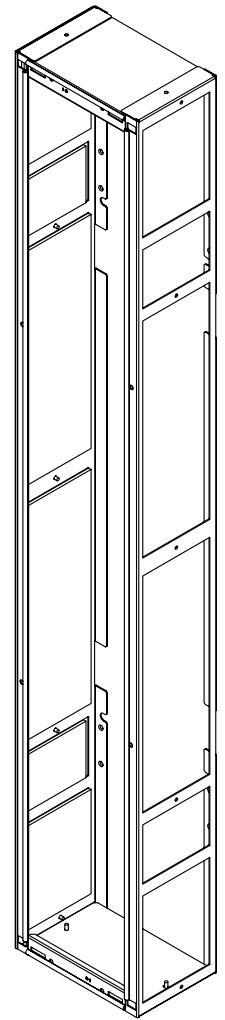
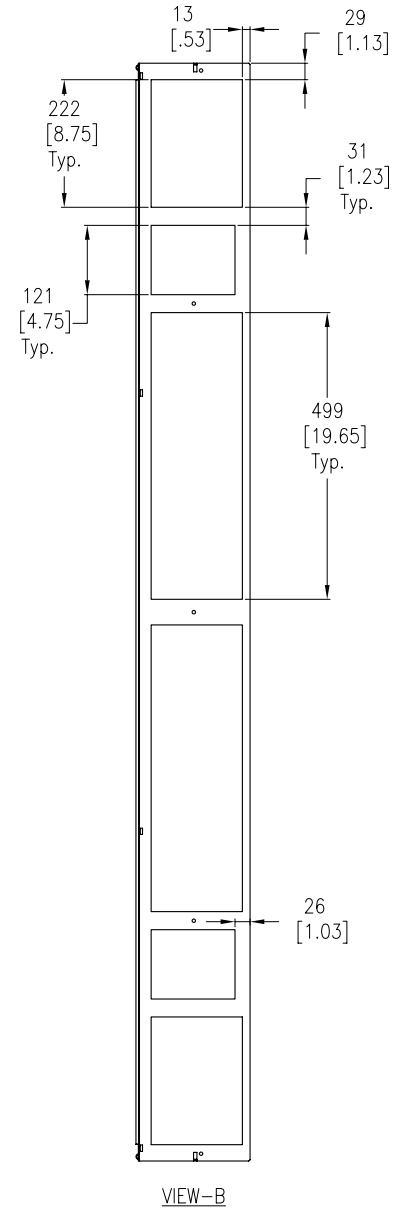
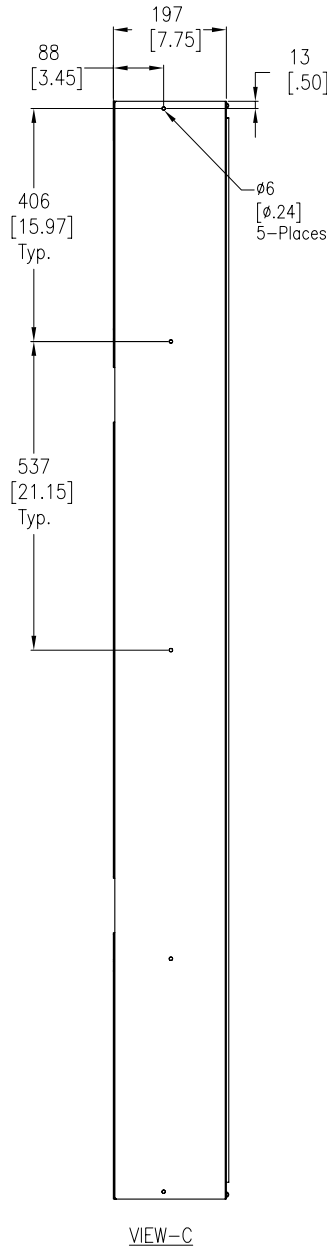
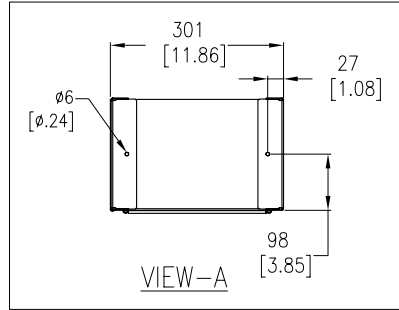
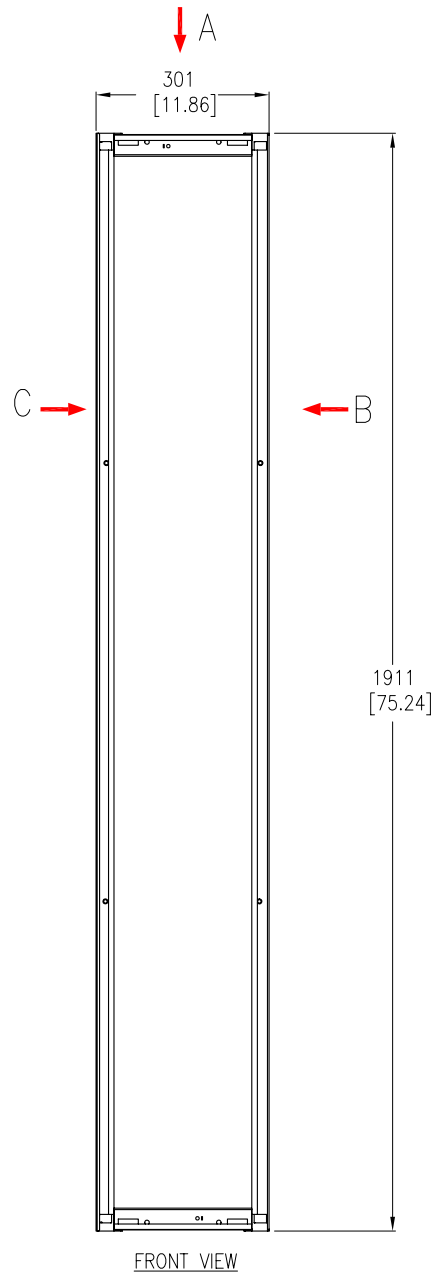
DWG NO: RACSC101-RACSC101E REV. 0

DRAWN: C KRISHNA 21-APR-09
ENGINEER: M.FIACCO/M.BROWN 21-APR-09

APPROVED: C.CUMMISKEY/A.KUKLA 21-APR-09

ANGLE
PROJECTION
N.A.

REAR CONTAINMENT-InRow SC



NOTES:

1. INSTALLATION SHALL COMPLY WITH ALL APPLICABLE NATIONAL, STATE AND LOCAL CODES.
2. PLEASE REFER TO PRODUCT DOCUMENTATION FOR FURTHER INFORMATION.
3. ALL DIMENSIONS ARE IN MILLIMETERS [INCHES], UNLESS OTHERWISE SPECIFIED.
4. FOR ADDITIONAL DETAILS REFER TO SKU-ACCS1000 & ACCS1002

THIS DRAWING AND SPECIFICATIONS HEREIN ARE THE PROPERTY OF SCHNEIDER ELECTRIC AND SHALL NOT BE COPIED, REPRODUCED OR USED IN WHOLE OR IN PART, AS THE BASIS FOR THE MANUFACTURE OR SALE OF ITEMS WITHOUT WRITTEN PERMISSION FROM SCHNEIDER ELECTRIC. THIS DRAWING IS BASED UPON LATEST AVAILABLE INFORMATION AND IS SUBJECT TO CHANGE WITHOUT NOTICE.

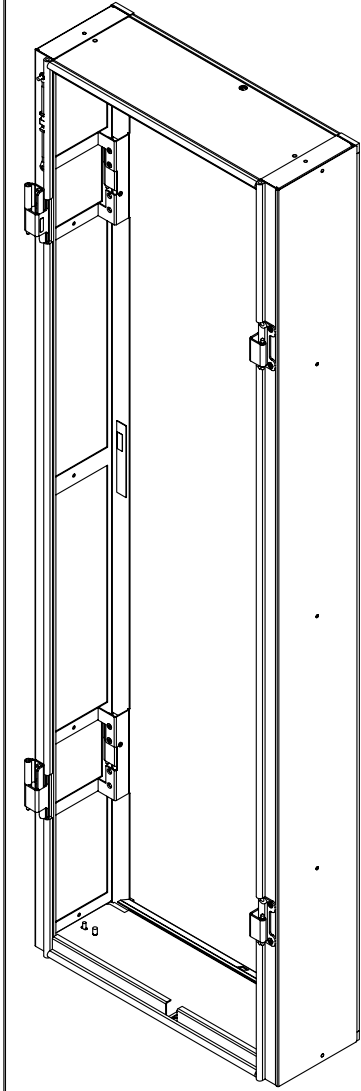
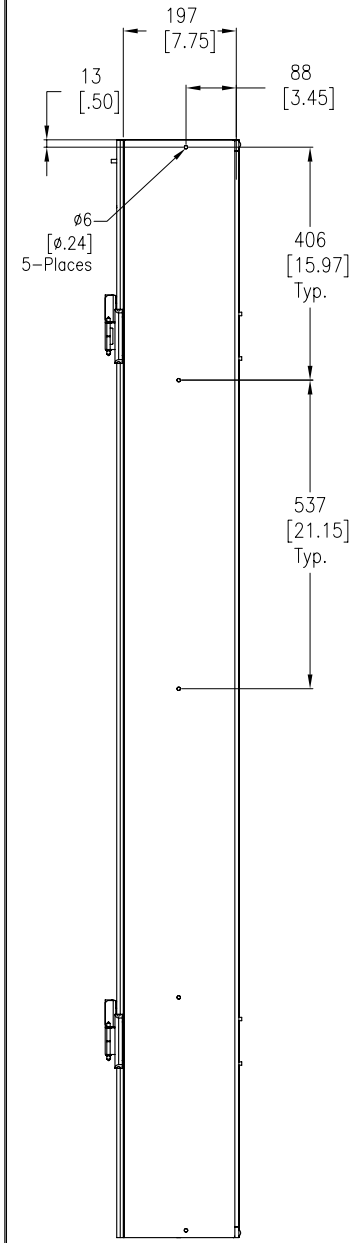
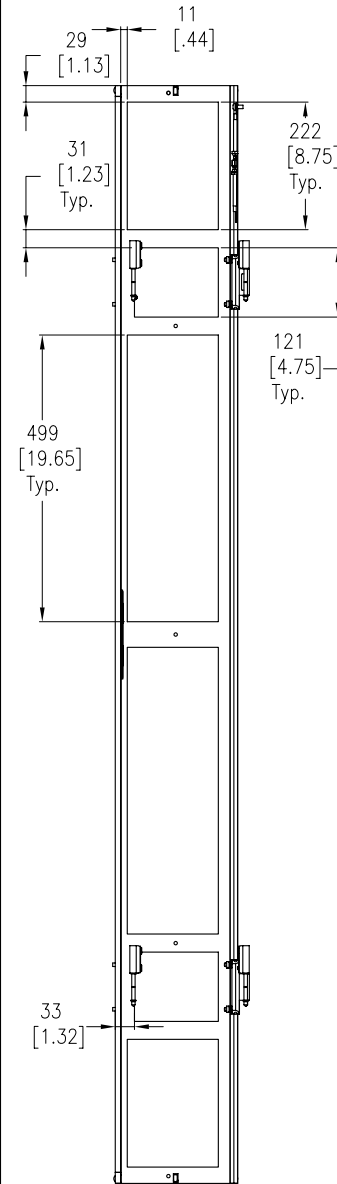
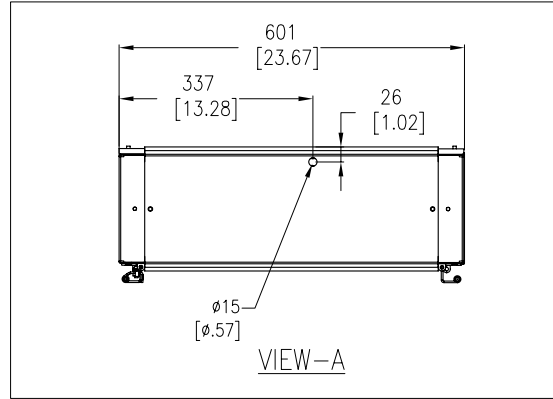
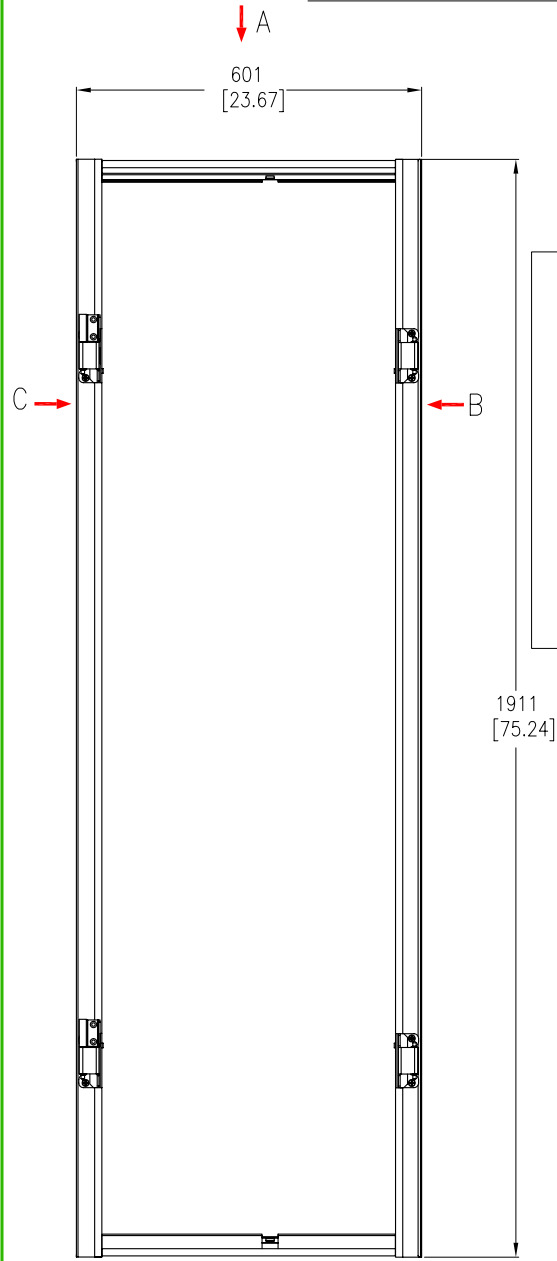


TITLE:
InRow SC SYSTEM
1 In-Row SC, 1 RACK AND
REAR CONTAINMENT
REAR CONTAINMENT FRAME-SC

PROJECT: SUBMITTAL DRAWINGS SHEET 3 OF 6

| | | | |
|-----------|---------------------|-----------|------------|
| DWG NO: | RACSC101-RACSC101E | REV: | 0 |
| DRAWN: | C KRISHNA | 21-APR-09 | ANGLE |
| ENGINEER: | M.FIACCO/M.BROWN | 21-APR-09 | PROJECTION |
| APPROVED: | C.CUMMISKEY/A.KUKLA | 21-APR-09 | N.A. |

REAR CONTAINMENT-NETHELTER SX RACK



ISOMETRIC VIEW

FRONT VIEW

VIEW-C

VIEW-B

NOTES:

1. INSTALLATION SHALL COMPLY WITH ALL APPLICABLE NATIONAL, STATE AND LOCAL CODES.
2. PLEASE REFER TO PRODUCT DOCUMENTATION FOR FURTHER INFORMATION.
3. ALL DIMENSIONS ARE IN MILLIMETERS [INCHES], UNLESS OTHERWISE SPECIFIED.
4. FOR ADDITIONAL DETAILS REFER TO SKU-ACCS1001 & ACCS1002

THIS DRAWING AND SPECIFICATIONS HEREIN ARE THE PROPERTY OF SCHNEIDER ELECTRIC AND SHALL NOT BE COPIED, REPRODUCED OR USED IN WHOLE OR IN PART, AS THE BASIS FOR THE MANUFACTURE OR SALE OF ITEMS WITHOUT WRITTEN PERMISSION FROM SCHNEIDER ELECTRIC. THIS DRAWING IS BASED UPON LATEST AVAILABLE INFORMATION AND IS SUBJECT TO CHANGE WITHOUT NOTICE.



TITLE:
InRow SC SYSTEM
1 In-Row SC, 1 RACK AND
REAR CONTAINMENT
REAR CONTAINMENT FRAME-SX RACK

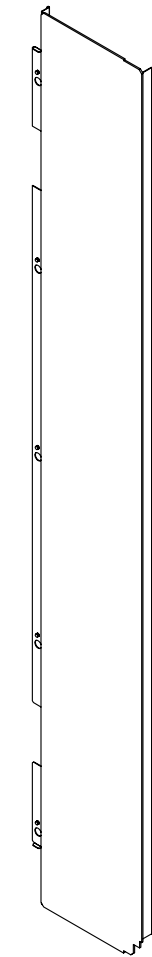
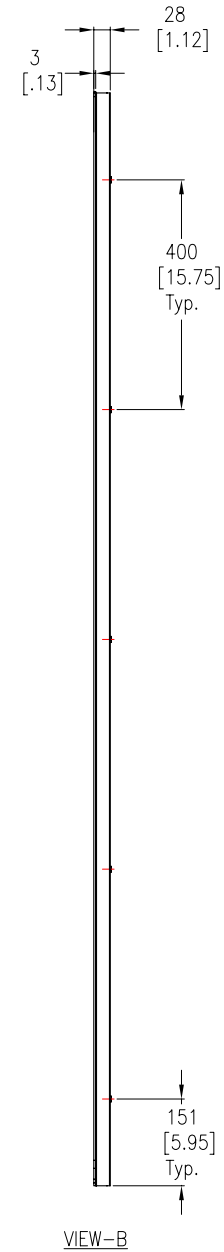
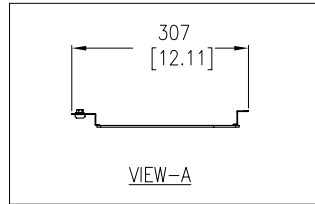
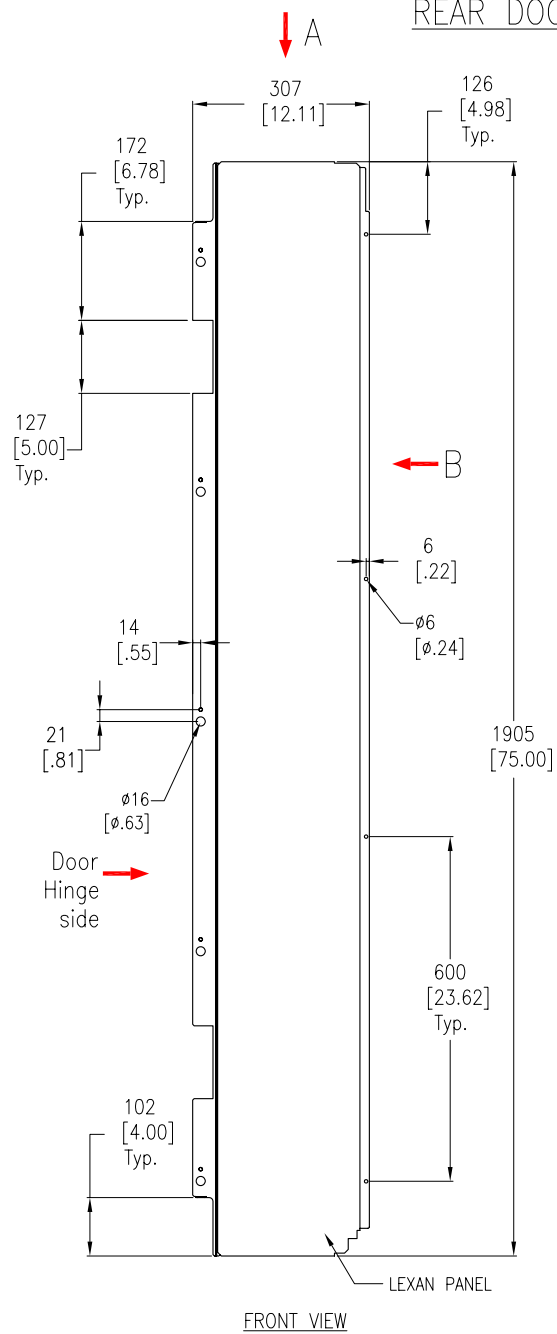
PROJECT: SUBMITTAL DRAWINGS SHEET 4 OF 6

DWG NO: RACSC101-RACSC101E

| | |
|-------------------------------|-----------|
| DRAWN: C KRISHNA | 21-APR-09 |
| ENGINEER: M.FIACCO/M.BROWN | 21-APR-09 |
| APPROVED: C.CUMMISKEY/A.KUKLA | 21-APR-09 |

REV. 0
ANGLE PROJECTION
N.A.

REAR DOOR (LEFT)-ATTACHMENT



NOTES:

1. INSTALLATION SHALL COMPLY WITH ALL APPLICABLE NATIONAL, STATE AND LOCAL CODES.
2. PLEASE REFER TO PRODUCT DOCUMENTATION FOR FURTHER INFORMATION.
3. ALL DIMENSIONS ARE IN MILLIMETERS [INCHES], UNLESS OTHERWISE SPECIFIED.

THIS DRAWING AND SPECIFICATIONS HEREIN ARE THE PROPERTY OF SCHNEIDER ELECTRIC AND SHALL NOT BE COPIED, REPRODUCED OR USED IN WHOLE OR IN PART, AS THE BASIS FOR THE MANUFACTURE OR SALE OF ITEMS WITHOUT WRITTEN PERMISSION FROM SCHNEIDER ELECTRIC. THIS DRAWING IS BASED UPON LATEST AVAILABLE INFORMATION AND IS SUBJECT TO CHANGE WITHOUT NOTICE.

Schneider Electric

TITLE:

InRow SC SYSTEM
1 In-Row SC, 1 RACK AND
REAR CONTAINMENT
REAR DOOR (LEFT)-ATTACHMENT

PROJECT: SUBMITTAL DRAWINGS SHEET 5 OF 6

DWG NO: RACSC101-RACSC101E

DRAWN: C KRISHNA 21-APR-09

ENGINEER: M.FIACCO/M.BROWN 21-APR-09

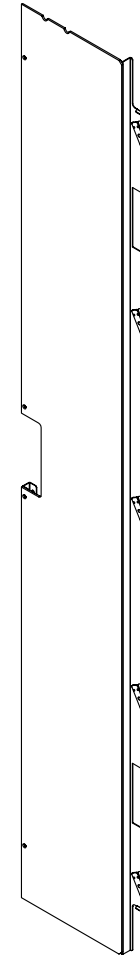
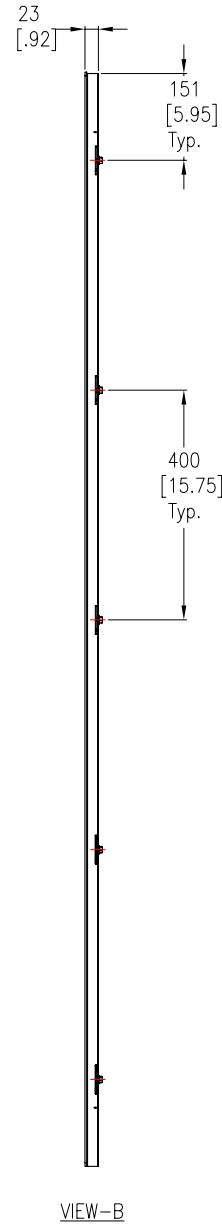
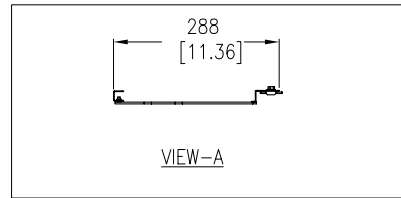
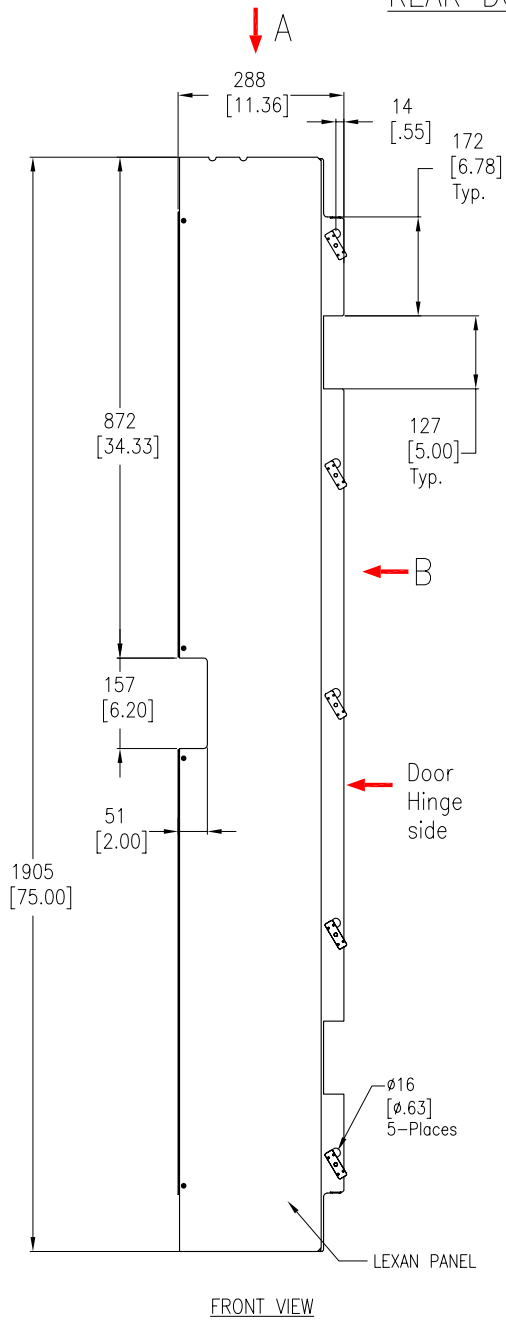
APPROVED: C.CUMMISKEY/A.KUKLA 21-APR-09

REV. 0

ANGLE PROJECTION

N.A.

REAR DOOR (RIGHT)-ATTACHMENT



NOTES:

1. INSTALLATION SHALL COMPLY WITH ALL APPLICABLE NATIONAL, STATE AND LOCAL CODES.
2. PLEASE REFER TO PRODUCT DOCUMENTATION FOR FURTHER INFORMATION.
3. ALL DIMENSIONS ARE IN MILLIMETERS [INCHES], UNLESS OTHERWISE SPECIFIED.

THIS DRAWING AND SPECIFICATIONS HEREIN ARE THE PROPERTY OF SCHNEIDER ELECTRIC AND SHALL NOT BE COPIED, REPRODUCED OR USED IN WHOLE OR IN PART, AS THE BASIS FOR THE MANUFACTURE OR SALE OF ITEMS WITHOUT WRITTEN PERMISSION FROM SCHNEIDER ELECTRIC. THIS DRAWING IS BASED UPON LATEST AVAILABLE INFORMATION AND IS SUBJECT TO CHANGE WITHOUT NOTICE.



TITLE:

InRow SC SYSTEM
1 In-Row SC, 1 RACK AND
REAR CONTAINMENT
REAR DOOR (RIGHT)-ATTACHMENT

PROJECT: SUBMITTAL DRAWINGS SHEET 6 OF 6

DWG NO:

RACSC101-RACSC101E

| | |
|-------------------------------|-----------|
| DRAWN: C KRISHNA | 21-APR-09 |
| ENGINEER: M.FIACCO/M.BROWN | 21-APR-09 |
| APPROVED: C.CUMMISKEY/A.KUKLA | 21-APR-09 |

REV. 0

ANGLE
PROJECTION
N.A.