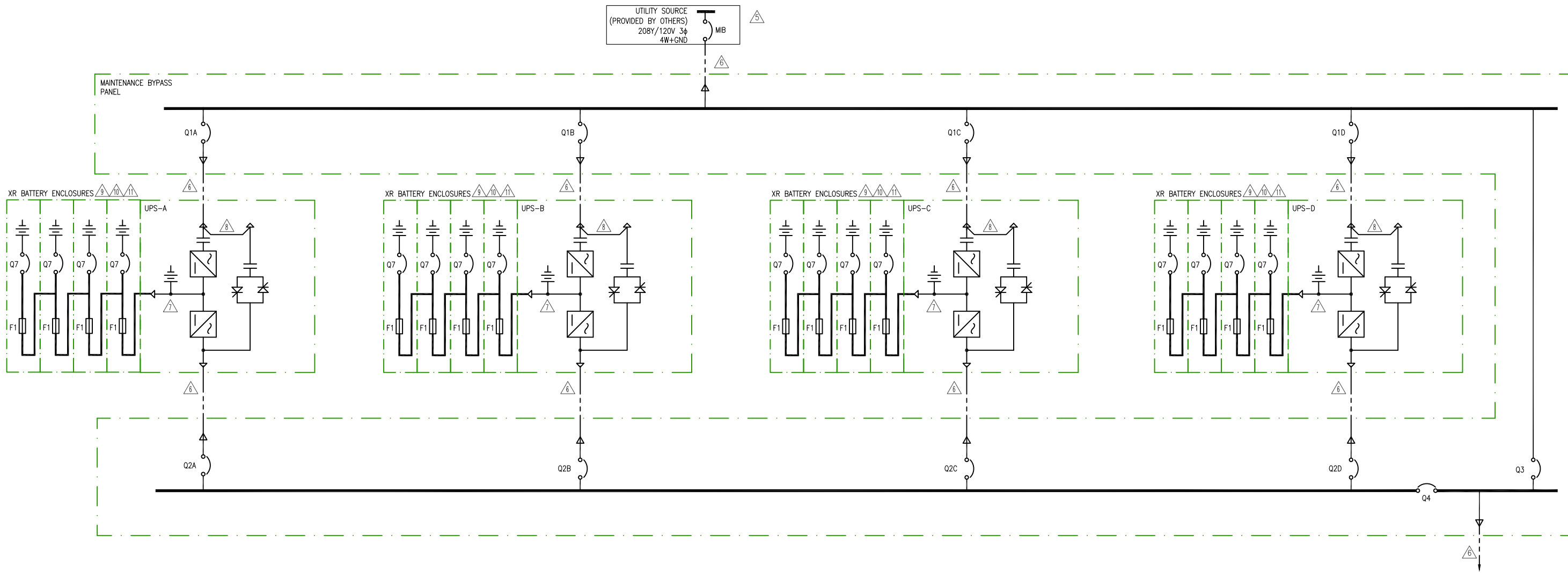


OVERCURRENT PROTECTION DEVICE TABLE

DEVICE	FUNCTION	LOCATION	EQUIPMENT RATING	CURRENT	RATING*	KAIC	TYPE	POLES
MIB†	SYS SOURCE	-	-	124.1A	175AT†	65kA	MCCB	3
Q1	UPS AC IN	BYPASS PANEL	65kA	40.2A	60AT/60AF	65kA	MCCB	3
Q2	UPS ANC OUT	BYPASS PANEL	65kA	41.6A	60AT/60AF	65kA	MCCB	4
Q3, Q4	SYS OUT	BYPASS PANEL	65kA	124.9A	175AT/175AF	65kA	MCCB	4
Q7	DC DISCONNECT	BATTERY CABINET	35kA	33.3A	250AT/250AF	25kA	MCCB	4
F1	BATTERY FUSE	BATTERY CABINET	1.8kA	125A	125A	100kA	FAST ACTING	1

* 80% CONTINUOUS DUTY RATED FOR BREAKER
 † (PROVIDED BY OTHERS) RECOMMENDED RATING



NOTES:

- INSTALLATION SHALL COMPLY WITH ALL APPLICABLE NATIONAL, STATE AND LOCAL CODES.
- PLEASE REFER TO PRODUCT DOCUMENTATION FOR ADDITIONAL DETAILS.
- DRAWING DEPICTS POWER SYSTEM CONNECTIONS AND IS NOT REPRESENTATIVE OF PHYSICAL LAYOUT, PLEASE REFER TO MECHANICAL DRAWINGS FOR PHYSICAL LAYOUT.
- ALL BREAKERS ARE 80% CONTINUOUS DUTY RATED WITH 24VDC SHUNT TRIPS AND 2A/2B AUX CONTACTS FOR SCHNEIDER ELECTRIC CONTROL AND COORDINATED WITH REQUIRED SYSTEM SETTINGS AS DETAILED IN PRODUCT DOCUMENTATION. ADDITIONAL 2A/2B AUX CONTACTS TO BE WIRED TO TERMINAL STRIP FOR CUSTOMER USE. BREAKER SIZING IS BASED ON NOMINAL MAINS VOLTAGE.
- AC SOURCE TO BE 208VAC, 4 WIRE, WYE CONNECTED, 3φ (CONTACT SCHNEIDER ELECTRIC IF OTHER)
- AC CABLING TO BE 600V RATED, 4 WIRE + GROUND, AND SHALL BE RUN IN SEPARATE CONDUITS.
- DC SOURCE TO BE 384VDC WITH CENTER TAP, 3 WIRE + GROUND.
- SINGLE MAINS INSTALLATION IS A DEFAULT. BRIDGE BUS BARS SHALL NOT BE REMOVED.
- XR BATTERY ENCLOSURE IS AVAILABLE WITHOUT BREAKER WITH DC FUSE ONLY
- UP TO FOUR XR BATTERY ENCLOSURES MAY BE CONNECTED TO THE UPS TO EXTEND BACKUP TIME.
- EXTERNAL BATTERY CABINET IS OPTIONAL. BAYING KITS HAVE TO BE PURCHASED AS AN OPTION. BATTERY SIZING IS BASED ON A MAXIMUM 1 VOLT DROP PER HALF-STRING AT NOMINAL RATED DC CURRENT. CE SHALL ADJUST CABLE SIZE BASED ON INSTALLATION PARAMETERS.
- CABLE LUGS ARE PROVIDED BY OTHERS.

THIS DRAWING IS APPLICABLE TO THE FOLLOWING SKUS

15kVA UPS SKUs	SUVT15KF2B2
	SUVT15KF2B4
	SUVT15KF3B4
	SUVT15KF4B4
XR BATTER SKUs	SUVTBXR2B6
	SUVTBXR6B6
	SUVTXR2B6
	SUVTXR6B6

LINETYPE LEGEND:

---	MECHANICAL ENCLOSURES
- - - -	AC CABLE - PROVIDED BY OTHERS
—	AC BUS (MBP)
—	BUS CONNECTIONS FOR BREAKERS
—	DC BUS

SINGLE MAINS, W/BAYED XR BATTERY CABINETS

THIS DRAWING AND SPECIFICATIONS HEREIN ARE THE PROPERTY OF SCHNEIDER ELECTRIC AND SHALL NOT BE COPIED, REPRODUCED OR USED IN WHOLE OR IN PART, AS THE BASIS FOR THE MANUFACTURE OR SALE OF ITEMS WITHOUT WRITTEN PERMISSION FROM SCHNEIDER ELECTRIC. THIS DRAWING IS BASED UPON LATEST AVAILABLE INFORMATION AND IS SUBJECT TO CHANGE WITHOUT NOTICE.



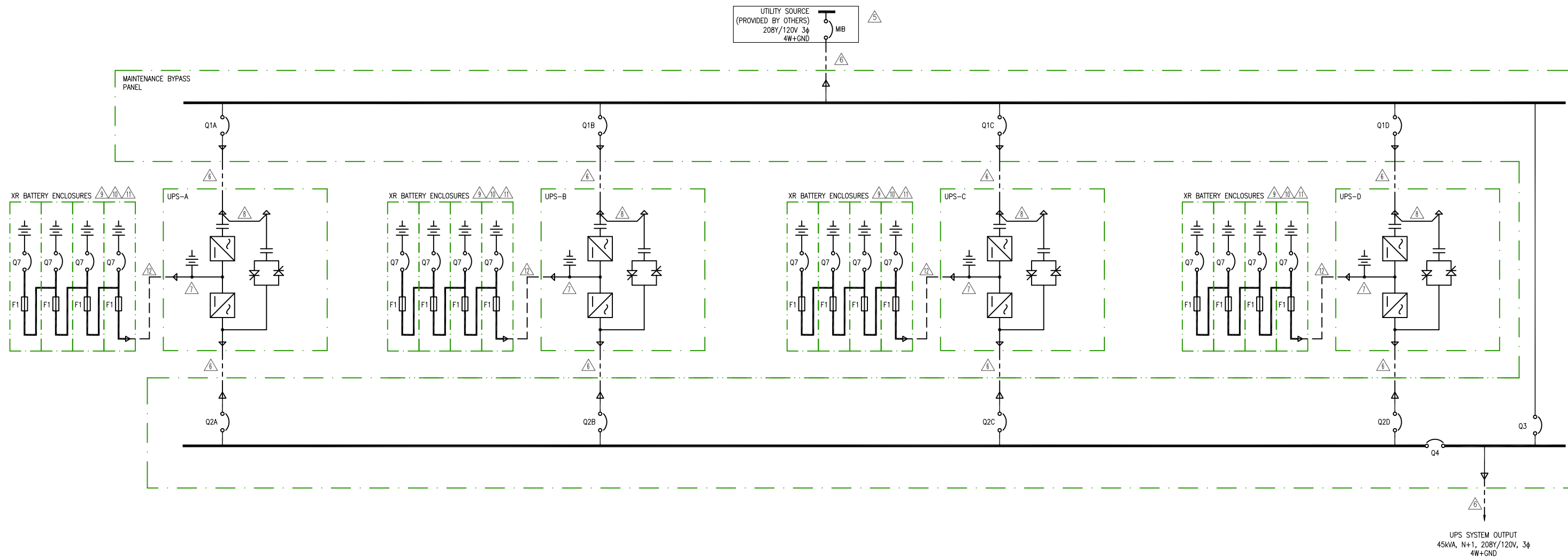
TITLE: SMART-UPS VT, PARALLEL SYSTEM
 INPUT: 208VAC, 3φ, SINGLE MAINS
 OUTPUT: 208VAC, 45kVA, N+1
 BAYED XR BATTERY ENCLOSURES
 SYSTEM ONE LINE DIAGRAM

DWG NO:	SUVT15KF1R4-SD	REV.	1
DRAWN BY:	B ZAHN	13-AUG-09	PROJ
ENGINEER:	M LEPARD	13-AUG-09	ANGLE
APPROVED:	B SHERIDAN/F DIOSA	13-AUG-09	N.A.

PROJECT: SUBMITTAL DRAWINGS SHEET 1 OF 2

OVERCURRENT PROTECTION DEVICE TABLE								
DEVICE	FUNCTION	LOCATION	EQUIPMENT RATING	CURRENT	RATING*	kAIC	TYPE	POLES
MIB†	SYS SOURCE	-	-	124.1A	175AT†	65kA	MCCB	3
Q1	UPS AC IN	BYPASS PANEL	65kA	40.2A	60AT/60AF	65kA	MCCB	3
Q2	UPS ANC OUT	BYPASS PANEL	65kA	41.6A	60AT/60AF	65kA	MCCB	4
Q3, Q4	SYS OUT	BYPASS PANEL	65kA	124.9A	175AT/175AF	65kA	MCCB	4
Q7	DC DISCONNECT	BATTERY CABINET	35kA	33.3A	250AT/250AF	25kA	MCCB	4
F1	BATTERY FUSE	BATTERY CABINET	1.8kA	125A	125A	100kA	FAST ACTING	1

* 80% CONTINUOUS DUTY RATED FOR BREAKER
 † (PROVIDED BY OTHERS) RECOMMENDED RATING



- NOTES:**
- INSTALLATION SHALL COMPLY WITH ALL APPLICABLE NATIONAL, STATE AND LOCAL CODES.
 - PLEASE REFER TO PRODUCT DOCUMENTATION FOR ADDITIONAL DETAILS.
 - DRAWING DEPICTS POWER SYSTEM CONNECTIONS AND IS NOT REPRESENTATIVE OF PHYSICAL LAYOUT, PLEASE REFER TO MECHANICAL DRAWINGS FOR PHYSICAL LAYOUT.
 - ALL BREAKERS ARE 80% CONTINUOUS DUTY RATED WITH 24VDC SHUNT TRIPS AND 2A/2B AUX CONTACTS FOR SCHNEIDER ELECTRIC CONTROL AND COORDINATED WITH REQUIRED SYSTEM SETTINGS AS DETAILED IN PRODUCT DOCUMENTATION. ADDITIONAL 2A/2B AUX CONTACTS TO BE WIRED TO TERMINAL STRIP FOR CUSTOMER USE. BREAKER SIZING IS BASED ON NOMINAL MAINS VOLTAGE.
 - △ AC SOURCE TO BE 208VAC, 4 WIRE, WYE CONNECTED, 3φ (CONTACT SCHNEIDER ELECTRIC IF OTHER)
 - △ AC CABLING TO BE 600V RATED, 4 WIRE + GROUND, AND SHALL BE RUN IN SEPARATE CONDUITS.
 - △ DC SOURCE TO BE 384VDC WITH CENTER TAP, 3 WIRE + GROUND.
 - △ SINGLE MAINS INSTALLATION IS A DEFAULT. BRIDGE BUS BARS SHALL NOT BE REMOVED.
 - △ XR BATTERY ENCLOSURE IS AVAILABLE WITHOUT BREAKER WITH DC FUSE ONLY
 - △ UP TO FOUR XR BATTERY ENCLOSURES MAY BE CONNECTED TO THE UPS TO EXTEND BACKUP TIME.
 - △ EXTERNAL BATTERY CABINET IS OPTIONAL. BAYING KITS HAVE TO BE PURCHASED AS AN OPTION. BATTERY SIZING IS BASED ON A MAXIMUM 1 VOLT DROP PER HALF-STRING AT NOMINAL RATED DC CURRENT. CE SHALL ADJUST CABLE SIZE BASED ON INSTALLATION PARAMETERS.
 - △ DC CABLING TO BE 600V RATED, 3W+GND, SHALL BE RUN IN SEPARATE CABLING CONDUITS.
 - △ CABLE LUGS ARE PROVIDED BY OTHERS.

THIS DRAWING IS APPLICABLE TO THE FOLLOWING SKUS	
15kVA UPS SKUs	SUVT15KF2B2
	SUVT15KF2B4
	SUVT15KF3B4
	SUVT15KF4B4
XR BATTER SKUs	SUVTBXR2B6
	SUVTBXR6B6
	SUVTXR2B6
	SUVTXR6B6

LINETYPE LEGEND:	
	MECHANICAL ENCLOSURES
	AC CABLE - PROVIDED BY OTHERS
	DC CABLE - PROVIDED BY OTHERS
	AC BUS (MBP)
	BUS CONNECTIONS FOR BREAKERS
	DC BUS

SINGLE MAINS, W/REMOTE XR BATTERY CABINETS

THIS DRAWING AND SPECIFICATIONS HEREIN ARE THE PROPERTY OF SCHNEIDER ELECTRIC AND SHALL NOT BE COPIED, REPRODUCED OR USED IN WHOLE OR IN PART, AS THE BASIS FOR THE MANUFACTURE OR SALE OF ITEMS WITHOUT WRITTEN PERMISSION FROM SCHNEIDER ELECTRIC. THIS DRAWING IS BASED UPON LATEST AVAILABLE INFORMATION AND IS SUBJECT TO CHANGE WITHOUT NOTICE.



TITLE: SMART-UPS VT, PARALLEL SYSTEM
 INPUT: 208VAC, 3φ, SINGLE MAINS
 OUTPUT: 208VAC, 45kVA, N+1
 REMOTE XR BATTERY ENCLOSURES
 SYSTEM ONE LINE DIAGRAM

DWG NO:	SUVT15KF1R4-SD	REV.	1
DRAWN BY:	B ZAHN	13-AUG-09	PROJ
ENGINEER:	M LEPARD	13-AUG-09	ANGLE
APPROVED:	B SHERIDAN/F DIOSA	13-AUG-09	N.A.

PROJECT: SUBMITTAL DRAWINGS SHEET 2 OF 2