

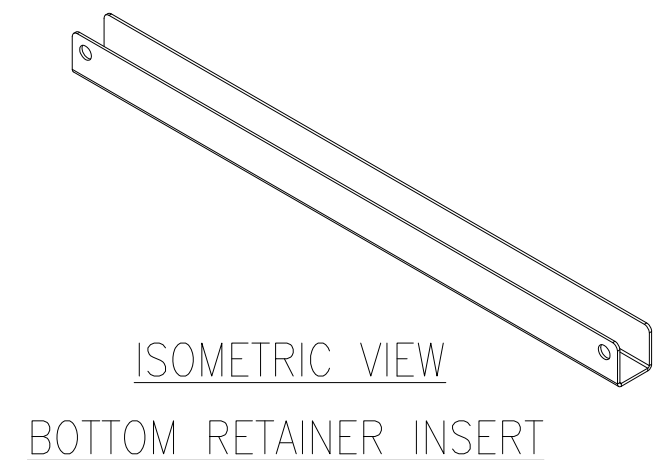
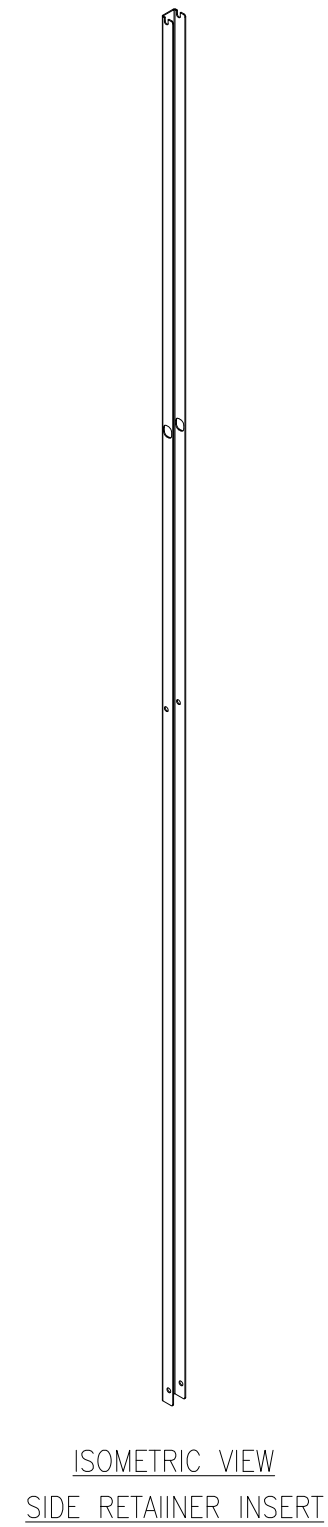
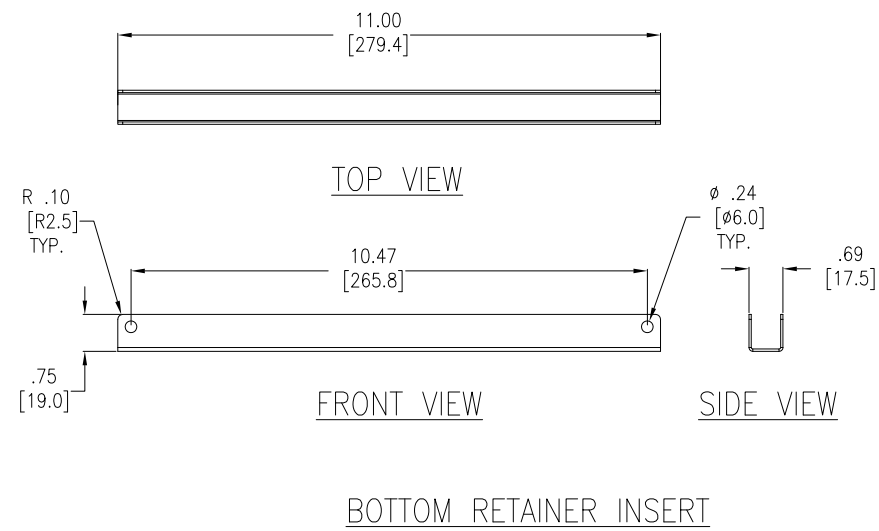
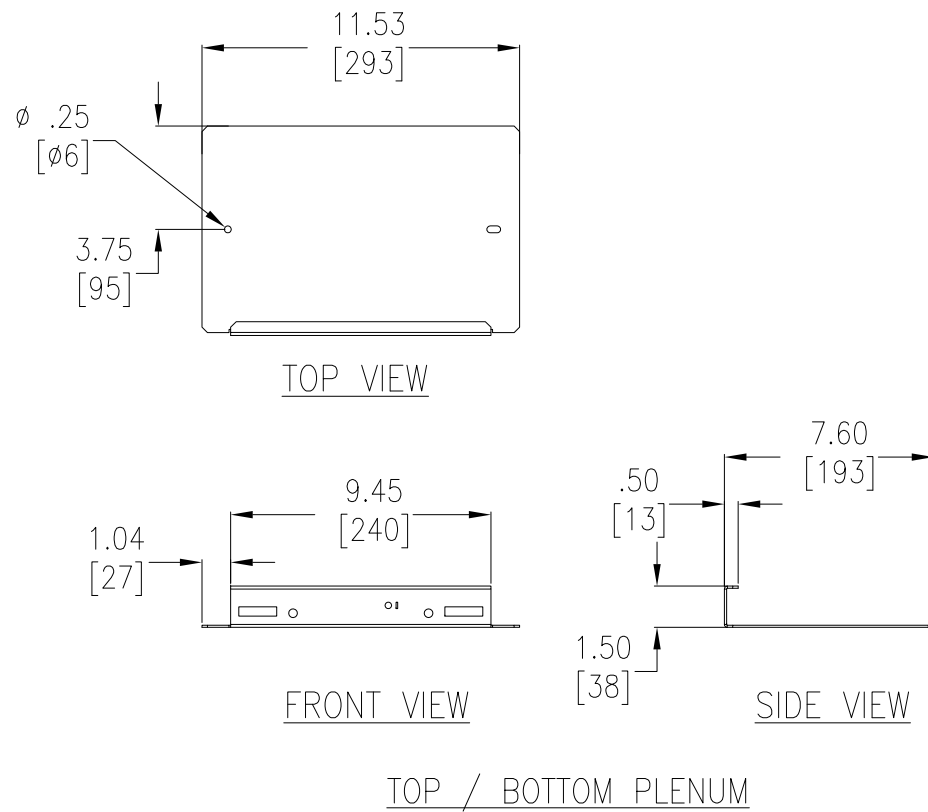
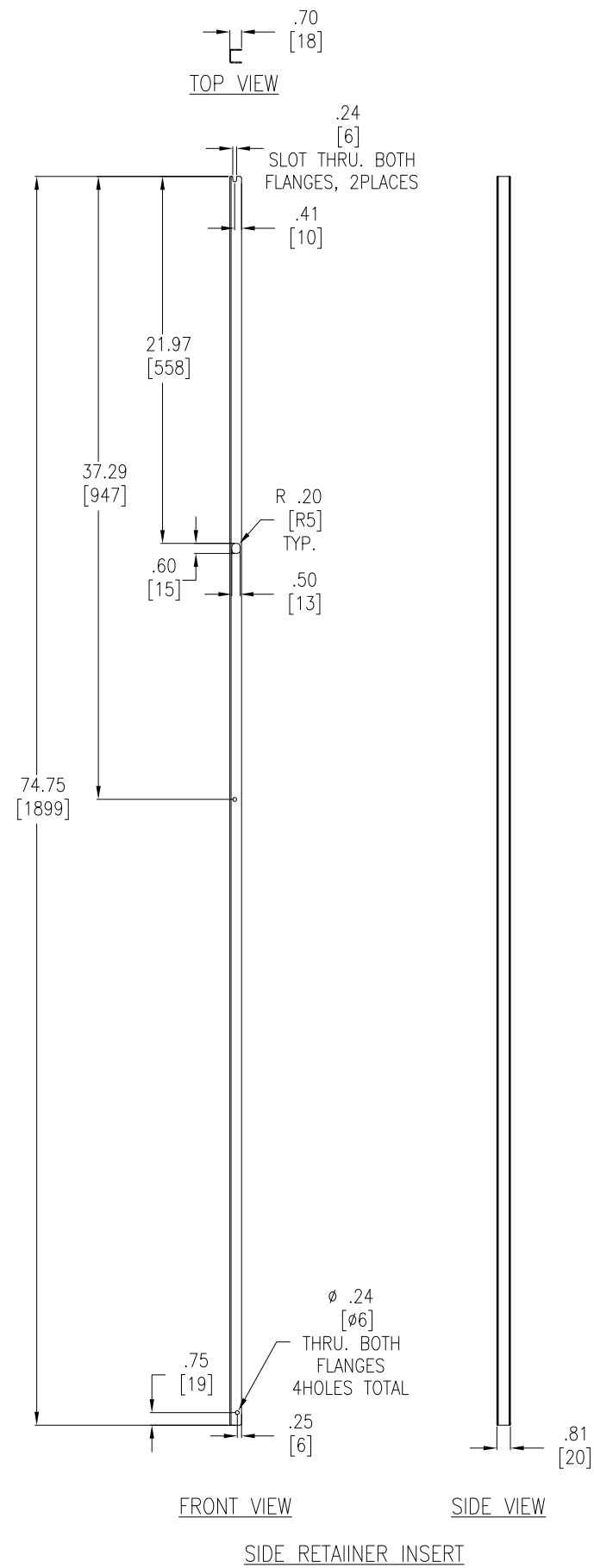
**NOTES:**

1. INSTALLATION SHALL COMPLY WITH ALL APPLICABLE NATIONAL, STATE AND LOCAL CODES.
2. PLEASE REFER TO PRODUCT DOCUMENTATION FOR FURTHER INFORMATION.
3. UNLESS OTHERWISE SPECIFIED, ALL DIMENSIONS ARE IN INCHES [MILLIMETERS].

THIS DRAWING AND SPECIFICATIONS HEREIN ARE THE PROPERTY OF SCHNEIDER ELECTRIC AND SHALL NOT BE COPIED, REPRODUCED OR USED IN WHOLE OR IN PART, AS THE BASIS FOR THE MANUFACTURE OR SALE OF ITEMS WITHOUT WRITTEN PERMISSION FROM SCHNEIDER ELECTRIC. THIS DRAWING IS BASED UPON LATEST AVAILABLE INFORMATION AND IS SUBJECT TO CHANGE WITHOUT NOTICE.



TITLE: RACK AIR CONTAINMENT FRONT ASSEMBLY FOR InRow RC & SC SIDE PLENUM & FRONT INSERT		DWG NO: <b>ACCS1003</b>	REV. <b>1</b>
PROJECT: STD SUBMITTAL DRAWING	SHEET: 1 OF 3	DRAWN: C KRISHNA/S CUNHA	29-SEP-14
		ENGINEER: G IVEY/M BROWN	29-SEP-14
		APPROVED: C CUMMISKEY/C ZALDIVAR	29-SEP-14
			THIRD ANGLE PROJ



**NOTES:**

1. INSTALLATION SHALL COMPLY WITH ALL APPLICABLE NATIONAL, STATE AND LOCAL CODES.
2. PLEASE REFER TO PRODUCT DOCUMENTATION FOR FURTHER INFORMATION.
3. UNLESS OTHERWISE SPECIFIED, ALL DIMENSIONS ARE IN INCHES [MILLIMETERS].

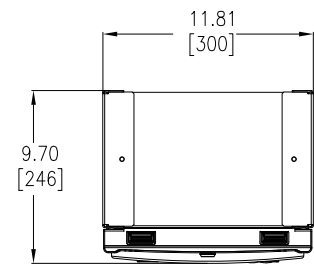
THIS DRAWING AND SPECIFICATIONS HEREIN ARE THE PROPERTY OF SCHNEIDER ELECTRIC AND SHALL NOT BE COPIED, REPRODUCED OR USED IN WHOLE OR IN PART, AS THE BASIS FOR THE MANUFACTURE OR SALE OF ITEMS WITHOUT WRITTEN PERMISSION FROM SCHNEIDER ELECTRIC. THIS DRAWING IS BASED UPON LATEST AVAILABLE INFORMATION AND IS SUBJECT TO CHANGE WITHOUT NOTICE.



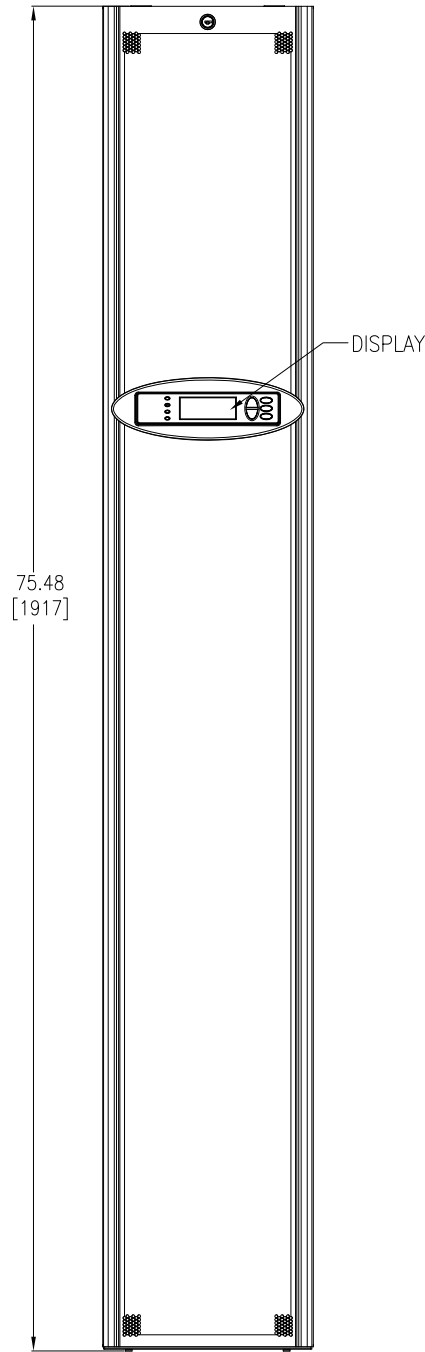
TITLE: RACK AIR CONTAINMENT FRONT ASSEMBLY FOR InRow RC & SC SIDE & BOTTOM RETAINER INSERT & TOP OR BOTTOM PLENUM  
PROJECT: STD SUBMITTAL DRAWING SHEET: 2 OF 3

DWG NO: ACCS1003  
DRAWN: C KRISHNA/S CUNHA 29-SEP-14  
ENGINEER: G IVEY/M BROWN 29-SEP-14  
APPROVED: C CUMMSKEY/C ZALDIVAR 29-SEP-14

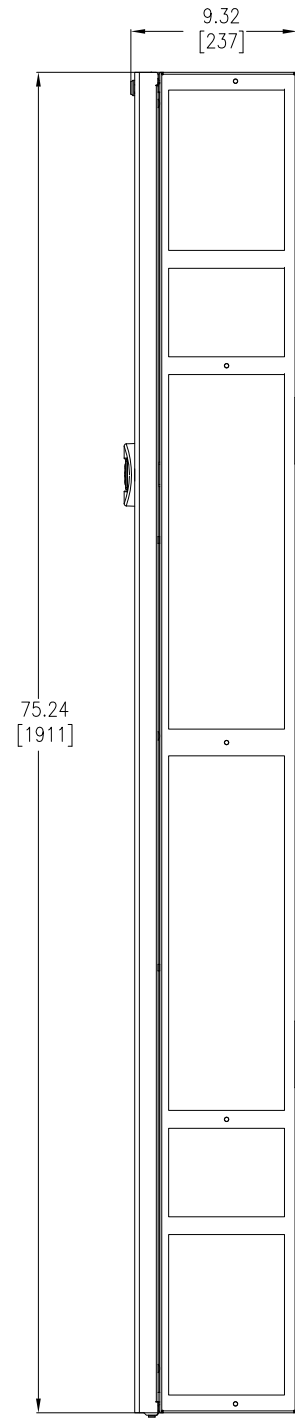
REV. 1  
THIRD ANGLE PROJ



TOP VIEW

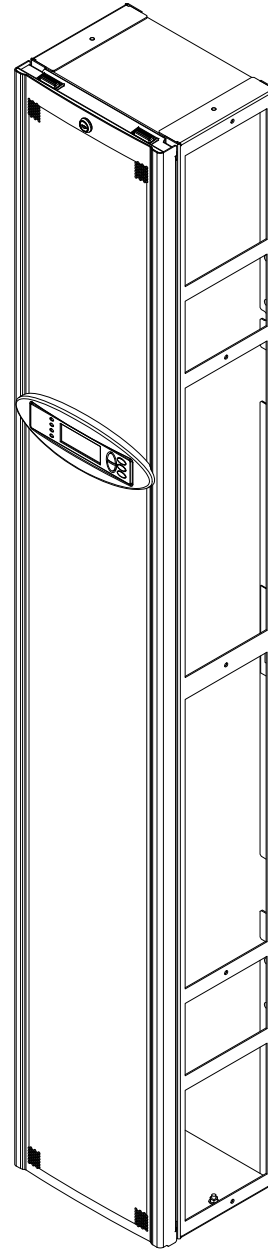


FRONT VIEW

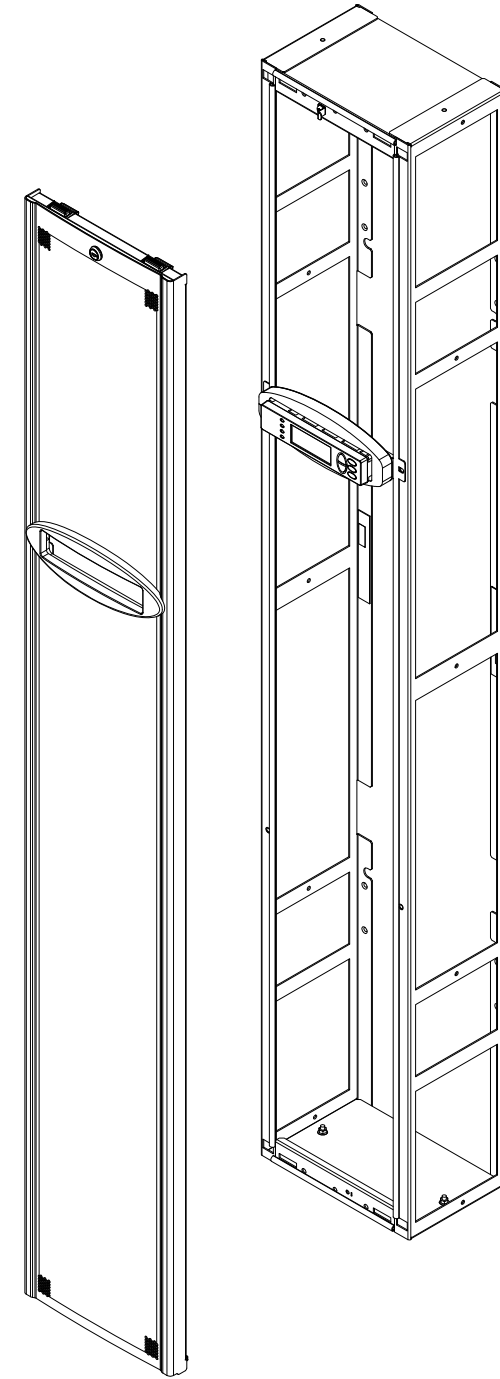


SIDE PLENUM

ACCS1000\_ASSEMBLY



ISOMETRIC VIEW



EXPLODED VIEW

**NOTES:**

1. INSTALLATION SHALL COMPLY WITH ALL APPLICABLE NATIONAL, STATE AND LOCAL CODES.
2. PLEASE REFER TO PRODUCT DOCUMENTATION FOR FURTHER INFORMATION.
3. UNLESS OTHERWISE SPECIFIED, ALL DIMENSIONS ARE IN INCHES [MILLIMETERS].
4. NET WEIGHT OF UNIT IS 30.00 lbs [13.64 kg].

THIS DRAWING AND SPECIFICATIONS HEREIN ARE THE PROPERTY OF SCHNEIDER ELECTRIC AND SHALL NOT BE COPIED, REPRODUCED OR USED IN WHOLE OR IN PART, AS THE BASIS FOR THE MANUFACTURE OR SALE OF ITEMS WITHOUT WRITTEN PERMISSION FROM SCHNEIDER ELECTRIC. THIS DRAWING IS BASED UPON LATEST AVAILABLE INFORMATION AND IS SUBJECT TO CHANGE WITHOUT NOTICE.



TITLE:  
RACK AIR CONTAINMENT  
FRONT ASSEMBLY FOR  
InRow RC & SC  
ASSEMBLY

PROJECT: STD SUBMITTAL DRAWING SHEET: 3 OF 3

DWG NO: **ACCS1003** REV. 1

DRAWN: C KRISHNA/S CUNHA 29-SEP-14

ENGINEER: G IVEY/M BROWN 29-SEP-14

APPROVED: C CUMMSKEY/C ZALDIVAR 29-SEP-14

THIRD  
ANGLE  
PROJ