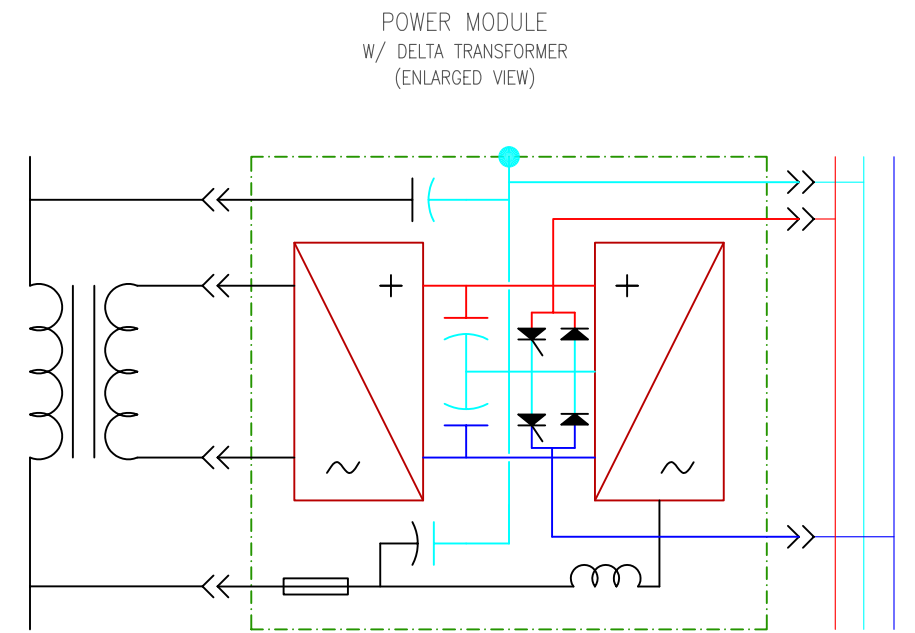
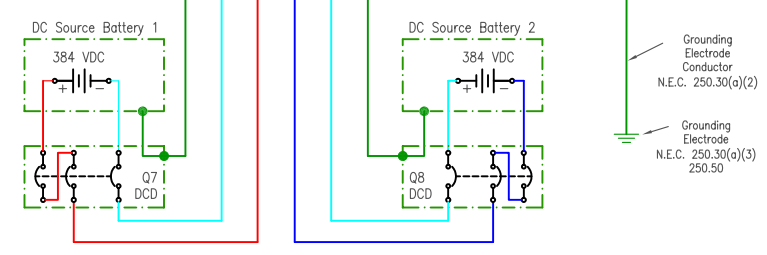


SYSTEM RATINGS (ULTIMATE)	
SYSTEM VOLTAGE	480
SYSTEM FREQUENCY (HZ)	60
SYSTEM CONFIGURATION	WYE
RATED INPUT CURRENT (AMPS)	1637
RATED OUTPUT CURRENT (AMPS)	1444
SHORT CIRCUIT (AMPS SYM)	200K
DC SOURCE CURRENT (AMPS)	1627
MAIN INPUT FUSE (AMPS)	2500
MAIN OUTPUT FUSE (AMPS)	2001

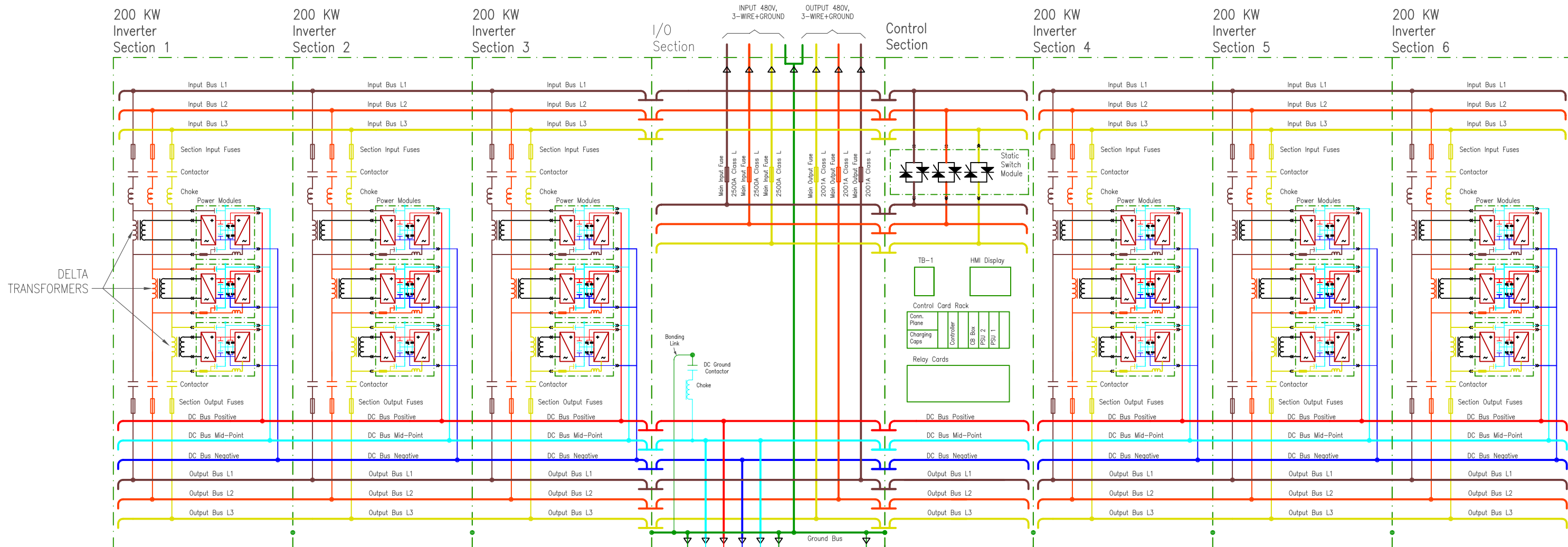


- NOTES:
1. INSTALLATION SHALL COMPLY WITH ALL APPLICABLE NATIONAL STATE AND LOCAL CODES.
 2. PLEASE REFER TO PRODUCT DOCUMENTATION FOR FURTHER INFORMATION.
 3. DRAWING DEPICTS POWER SYSTEM CONNECTIONS AND IS NOT REPRESENTATIVE OF PHYSICAL LAYOUT. PLEASE REFER TO MECHANICAL DRAWINGS FOR MORE SPECIFIC PHYSICAL DATA.
 4. UPS IS CONSTRUCTED AS PER UL1778 GUIDELINES.
 5. CONTROL SECTION, I/O SECTION & INVERTER SECTIONS ARE CONNECTED USING BUS LINKS.
 6. INTERFACE TERMINATIONS ARE MADE USING NEMA 2 HOLE BUS TERMINALS.

THIS DRAWING AND SPECIFICATIONS HEREIN ARE THE PROPERTY OF SCHNEIDER ELECTRIC AND SHALL NOT BE COPIED, REPRODUCED OR USED IN WHOLE OR IN PART, AS THE BASIS FOR THE MANUFACTURE OR SALE OF ITEMS WITHOUT WRITTEN PERMISSION FROM SCHNEIDER ELECTRIC. THIS DRAWING IS BASED UPON LATEST AVAILABLE INFORMATION AND IS SUBJECT TO CHANGE WITHOUT NOTICE.

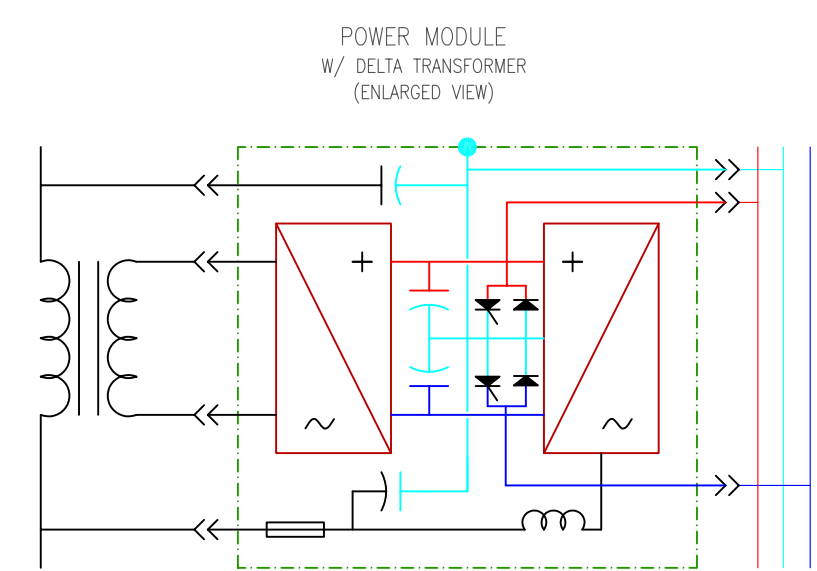
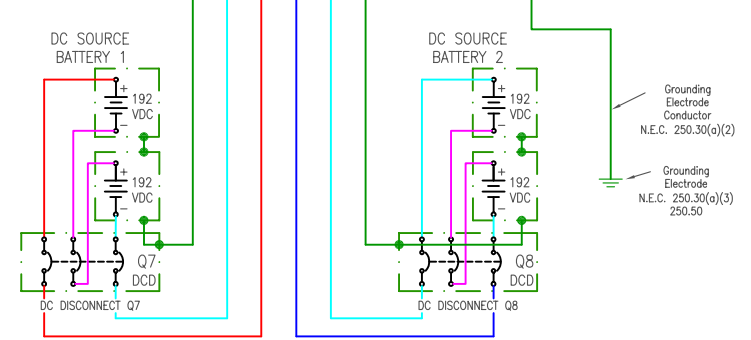
Schneider Electric

TITLE: SYMMETRA MW 480V, 3φ, 1200kW HALF STRING BATTERY 5-LINE DIAGRAM	DWG NO: SYMW1200KG-HSB-5L	REV: 2
PROJECT: SUBMITTAL DRAWINGS SHEET 1 OF 2	DRAWN: M CRAVEN 04-JUN-09	ENGINEER: J RING 08-JUN-09
	APPROVED: B SHERIDAN/F DIOSA 08-JUN-09	PROJ ANGLE N.A.



DELTA TRANSFORMERS

SYSTEM RATINGS (ULTIMATE)	
SYSTEM VOLTAGE	480
SYSTEM FREQUENCY (HZ)	60
SYSTEM CONFIGURATION	WYE
RATED INPUT CURRENT (AMPS)	1637
RATED OUTPUT CURRENT (AMPS)	1444
SHORT CIRCUIT (AMPS SYM)	200K
DC SOURCE CURRENT (AMPS)	1627
MAIN INPUT FUSE (AMPS)	2500
MAIN OUTPUT FUSE (AMPS)	2001



NOTES:

1. INSTALLATION SHALL COMPLY WITH ALL APPLICABLE NATIONAL STATE AND LOCAL CODES.
2. PLEASE REFER TO PRODUCT DOCUMENTATION FOR FURTHER INFORMATION.
3. DRAWING DEPICTS POWER SYSTEM CONNECTIONS AND IS NOT REPRESENTATIVE OF PHYSICAL LAYOUT. PLEASE REFER TO MECHANICAL DRAWINGS FOR MORE SPECIFIC PHYSICAL DATA.
4. UPS IS CONSTRUCTED AS PER UL1778 GUIDELINES.
5. CONTROL SECTION, I/O SECTION & INVERTER SECTIONS ARE CONNECTED USING BUS LINKS.
6. INTERFACE TERMINATIONS ARE MADE USING NEMA 2 HOLE BUS TERMINALS.

THIS DRAWING AND SPECIFICATIONS HEREIN ARE THE PROPERTY OF SCHNEIDER ELECTRIC AND SHALL NOT BE COPIED, REPRODUCED OR USED IN WHOLE OR IN PART, AS THE BASIS FOR THE MANUFACTURE OR SALE OF ITEMS WITHOUT WRITTEN PERMISSION FROM SCHNEIDER ELECTRIC. THIS DRAWING IS BASED UPON LATEST AVAILABLE INFORMATION AND IS SUBJECT TO CHANGE WITHOUT NOTICE.



TITLE:	SYMMETRA MW 480V, 3 ϕ , 1200kW QUARTER STRING BATTERY 5-LINE DIAGRAM		DWG NO:	SYMW1200KG-QSB-5L	REV:	2
PROJECT:	SUBMITTAL DRAWINGS	SHEET 2 OF 2	DRAWN:	M CRAVEN	12-MAY-09	PROJ ANGLE
			ENGINEER:	J RING	08-JUN-09	N.A.
			APPROVED:	B SHERIDAN/F DIOSA	08-JUN-09	