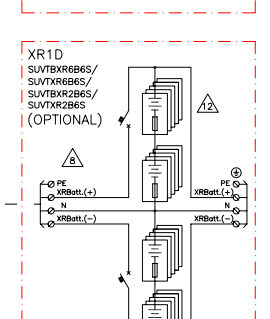
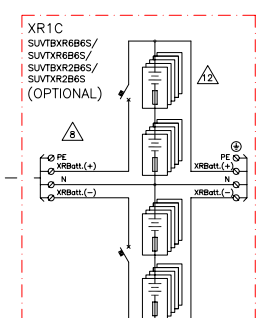
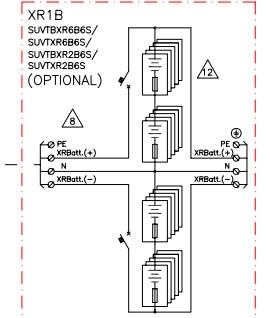
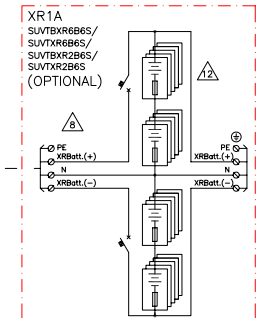
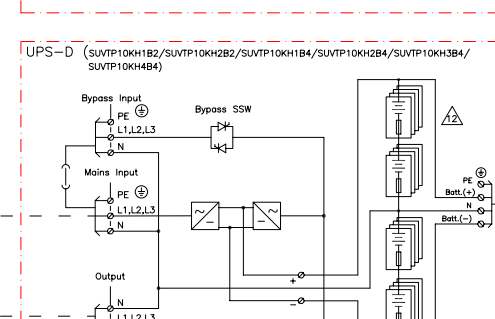
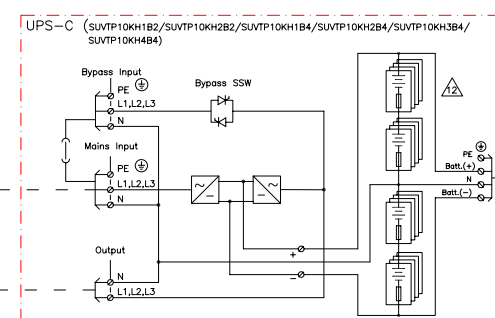
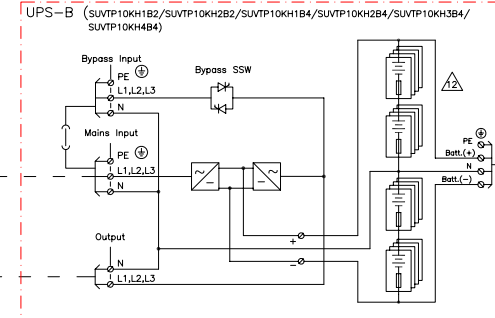
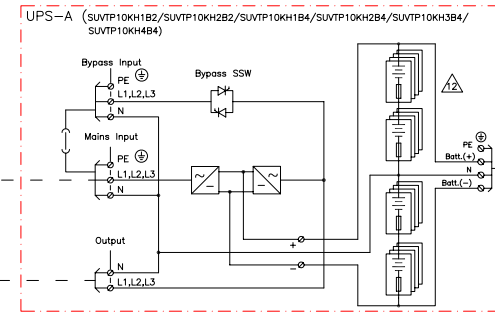
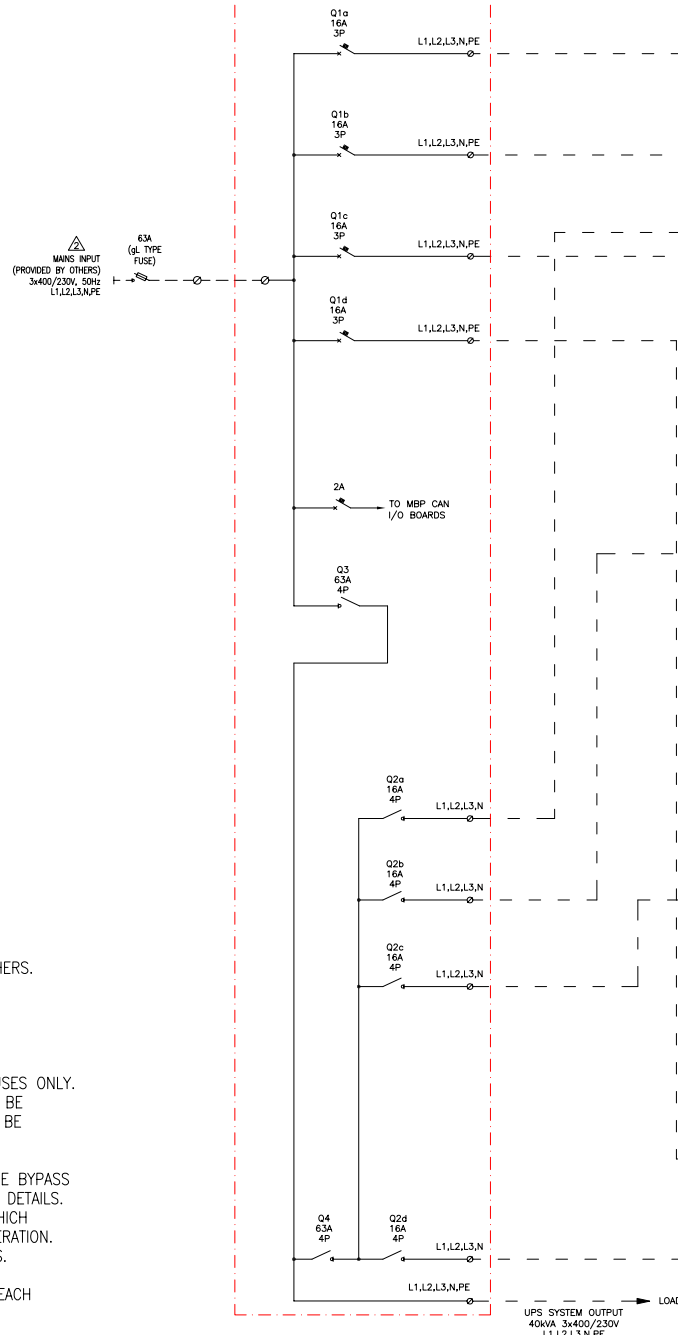


MAINTENANCE BYPASS PANEL(MBP)



- NOTES:
- PLEASE REFER TO PRODUCT MANUALS FOR DETAILS.
  - MUST BE L1,L2,L3,N,PE SOURCE PROVIDED BY OTHERS.
  - = AC/DC CABLING PROVIDED BY OTHERS.
  - ALL AC POWER CABLING IS L1,L2,L3,N,PE.
  - DC CABLING SHOULD BE SEGREGATED FROM AC CABLING SEE BATTERY INSTALLATION INFORMATION.
  - UPS INPUT AND OUTPUT CABLES SHOULD BE SEGREGATED.
  - POWER WIRING AND CONTROL WIRING SHOULD BE SEGREGATED.
  - XR BATTERY CABINET IS AVAILABLE WITHOUT BREAKER, WITH DC FUSES ONLY.
  - XR BATTERY CABINET CAN BE BAYED TO UPS. BAYING KIT HAS TO BE PURCHASED AS AN OPTION. UP TO 4 XR BATTERY CABINETS CAN BE CONNECTED TO UPS TO EXTEND BACKUP TIME.
  - SINGLE MAINS INSTALLATION IS DEFAULT.
  - DUAL MAINS OPTION REQUIRES CUSTOMER ENGINEERED MAINTENANCE BYPASS PANEL. PLEASE CONTACT APC CUSTOMER ENGINEERING GROUP FOR DETAILS.
  - SUVP DELIVERED WITH INTERNAL MAINTENANCE BYPASS SWITCH. WHICH NEEDS TO BE REMOVED PRIOR TO CONNECTING FOR PARALLEL OPERATION.
  - OUTPUT OVERCURRENT PROTECTION MUST BE PROVIDED BY OTHERS. RECOMMENDED OUTPUT BREAKER RATING 63A.
  - THIS DRAWING SHOWS MAXIMUM NUMBER OF BATTERY MODULES IN EACH CABINET. THE QUANTITY OF BATTERY MODULE IS SKU SPECIFIC. EX. SUVTPxKH1B4  
 CAN BE EXPANDED UP TO (4) BATTERY MODULES  
 MINIMUM NUMBER (1) OF BATTERY MODULES.  
 EX. SUVTBXR2B6S  
 CAN BE EXPANDED UP TO (6) BATTERY MODULES.  
 MINIMUM NUMBER (2) OF BATTERY MODULES.
  - INSTALLATION MUST COMPLY WITH NATIONAL AND LOCAL ELECTRICAL REGULATIONS.

THIS DRAWING AND SPECIFICATIONS HEREIN ARE THE PROPERTY OF SCHNEIDER ELECTRIC AND SHALL NOT BE COPIED, REPRODUCED OR USED IN WHOLE OR IN PART, AS THE BASIS FOR THE MANUFACTURE OR SALE OF ITEMS WITHOUT WRITTEN PERMISSION FROM SCHNEIDER ELECTRIC. THIS DRAWING IS BASED UPON LATEST AVAILABLE INFORMATION AND IS SUBJECT TO CHANGE WITHOUT NOTICE.



TITLE: SMART-UPS VT 10kVA  
 INPUT: 3x400/230V SINGLE MAINS  
 OUTPUT: 3x400/230V  
 4 MODULE CAPACITY  
 SYSTEM ONE LINE DIAGRAM  
 PROJECT: SUBMITTAL DRAWINGS SHEET 1 OF 1

DWG NO: SUVTP10KH1C4-SD REV. 1  
 DRAWN: BALAMURUGAN 08-FEB-10  
 ENGINEER: SANDERSEN 08-FEB-10  
 APPROVED: CLARSEN/S.WAGH/E.SILVA 08-FEB-10  
 ANGLE PROJECTION N.A.