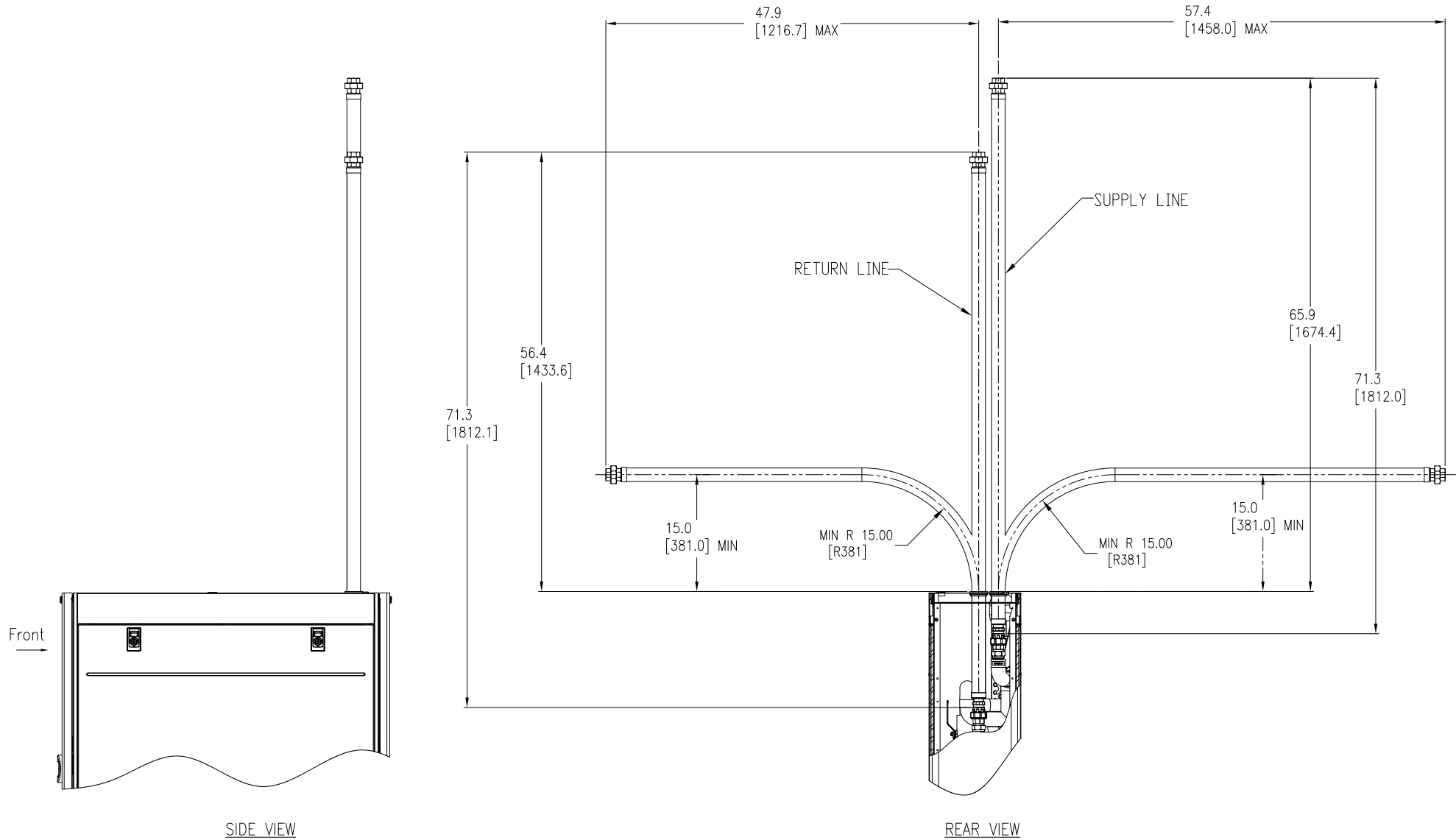


72" [1800mm] FLEX HOSE INTERFACE DIMENSIONS – TOP PIPING CONFIGURATION



SIDE VIEW

REAR VIEW

NOTES:

1. INSTALLATION SHALL COMPLY WITH ALL APPLICABLE NATIONAL, STATE AND LOCAL CODES.
2. SEE PRODUCT DOCUMENTATION FOR FURTHER INFORMATION
3. UNLESS OTHERWISE SPECIFIED, ALL DIMENSIONS ARE IN INCHES[MILLIMETERS].

THIS DRAWING AND SPECIFICATIONS HEREIN ARE THE PROPERTY OF SCHNEIDER ELECTRIC AND SHALL NOT BE COPIED, REPRODUCED OR USED IN WHOLE OR IN PART, AS THE BASIS FOR THE MANUFACTURE OR SALE OF ITEMS WITHOUT WRITTEN PERMISSION FROM SCHNEIDER ELECTRIC. THIS DRAWING IS BASED UPON LATEST AVAILABLE INFORMATION AND IS SUBJECT TO CHANGE WITHOUT NOTICE.

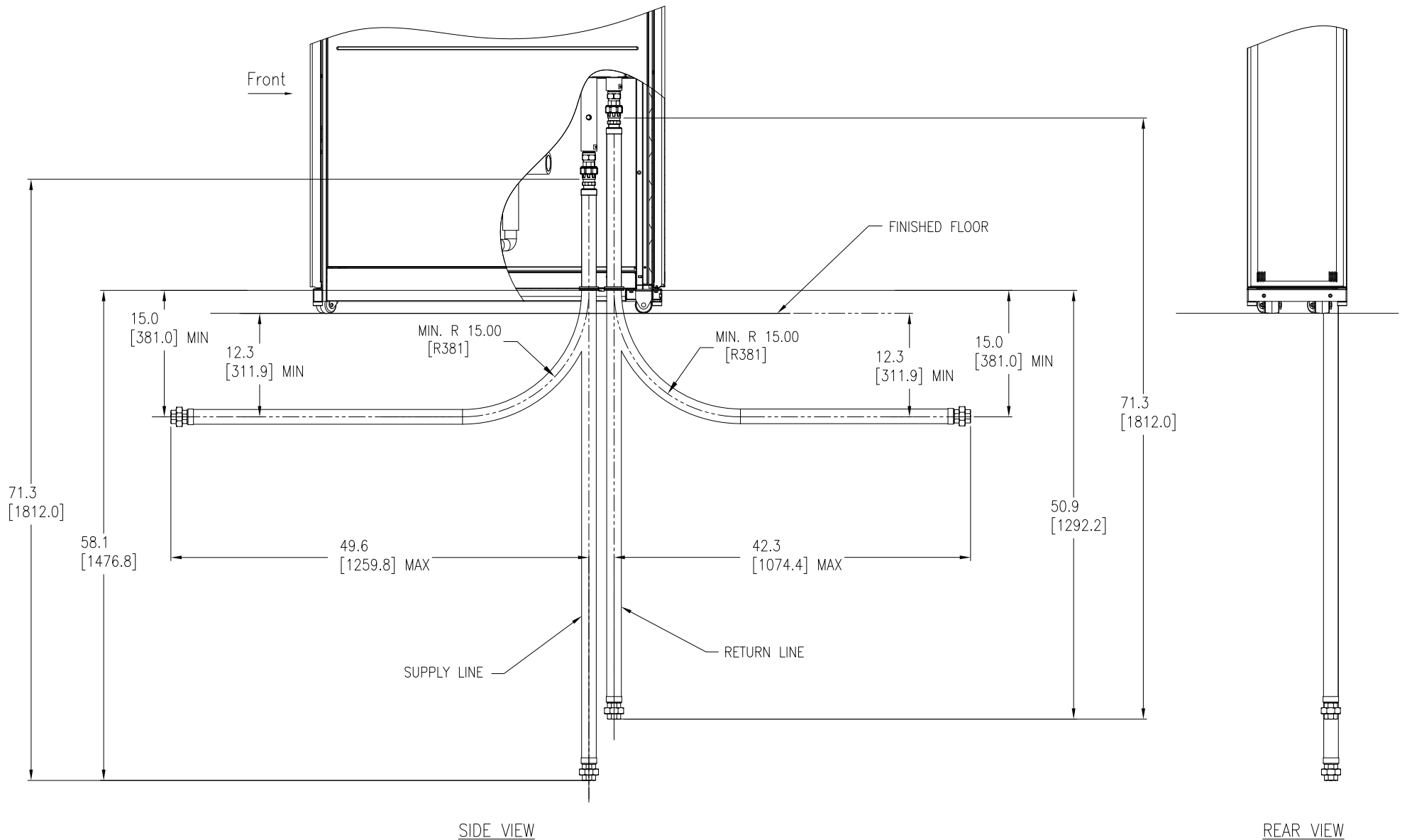


TITLE: InfraStruXure
INROW RC CHILLED WATER
FLEXIBLE PIPE KIT
100-120VAC, 50/60Hz, NEMA L5-20
72" FLEX HOSE INTERFACE – TOP PIPING
PROJECT: STD SUBMITTAL DRAWINGS SHEET 1 OF 3

DWG NO: ACAC10012-ME1
DRAWN BY: V BUSH
ENGINEER: D LINGREY/G IVEY
APPROVED BY: CUMMISKEY/C ZALDVAR

REV. 1
20-SEP-10
20-SEP-10
20-SEP-10
THIRD ANGLE PROJ

72" [1800mm] FLEX HOSE INTERFACE DIMENSIONS – BOTTOM PIPING CONFIGURATION



NOTES:

1. INSTALLATION SHALL COMPLY WITH ALL APPLICABLE NATIONAL, STATE AND LOCAL CODES.
2. SEE PRODUCT DOCUMENTATION FOR FURTHER INFORMATION
3. UNLESS OTHERWISE SPECIFIED, ALL DIMENSIONS ARE IN INCHES[MILLIMETERS].

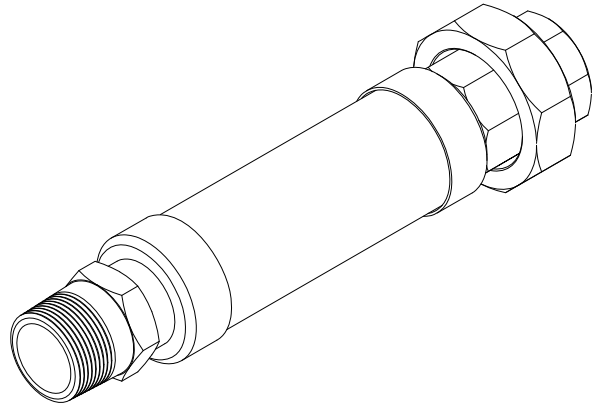
THIS DRAWING AND SPECIFICATIONS HEREIN ARE THE PROPERTY OF SCHNEIDER ELECTRIC AND SHALL NOT BE COPIED, REPRODUCED OR USED IN WHOLE OR IN PART, AS THE BASIS FOR THE MANUFACTURE OR SALE OF ITEMS WITHOUT WRITTEN PERMISSION FROM SCHNEIDER ELECTRIC. THIS DRAWING IS BASED UPON LATEST AVAILABLE INFORMATION AND IS SUBJECT TO CHANGE WITHOUT NOTICE.

Schneider Electric

TITLE: InfraStruXure
INROW RC CHILLED WATER
FLEXIBLE PIPE KIT
100-120VAC, 50/60Hz, NEMA L5-20
72" FLEX HOSE INTERFACE - BOTTOM PIPING
PROJECT: STD SUBMITTAL DRAWINGS SHEET 2 OF 3

DWG NO: ACAC10012-ME2
DRAWN BY: V BUSH
ENGINEER: D LINGREY/G IVEY
APPROVED BY: CUMMISKEY/C ZALDVAR

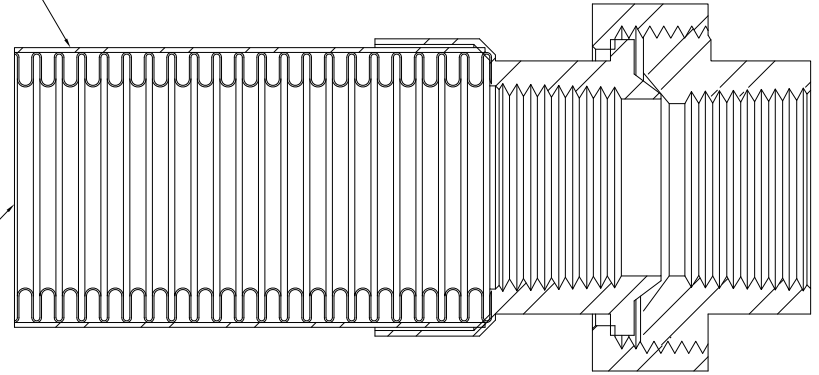
REV. 1
THIRD ANGLE PROJ



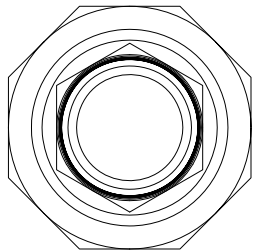
ISOMETRIC VIEW

SST WIRE BRAID
AISI: 304, 316 OR 321

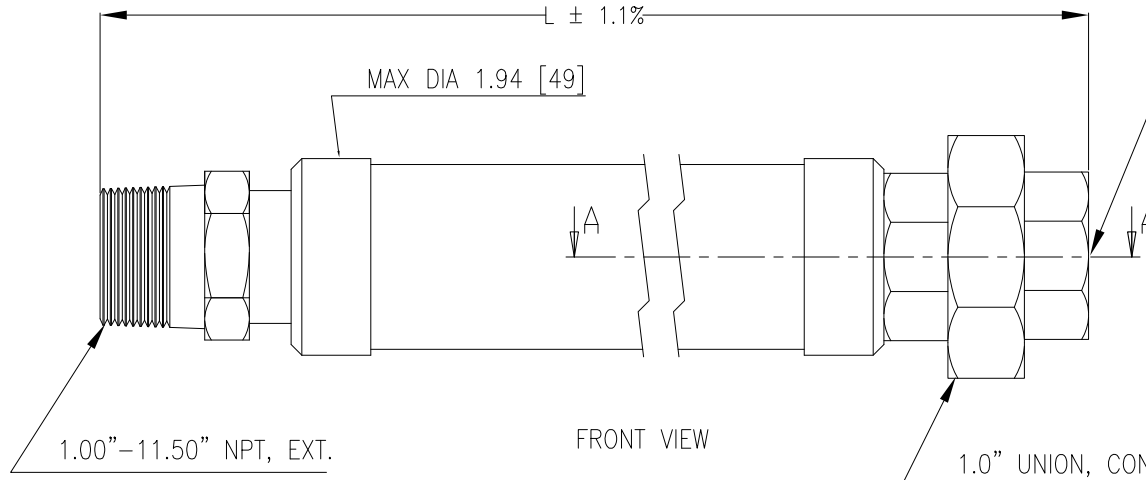
1.25 (31.75) ID NOM,
CORRUGATED SST TUBE,
AISI: 304, 304L, 316,
316L OR 321



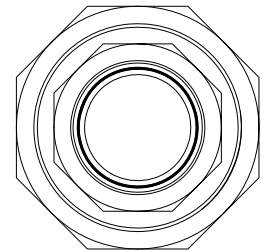
SECTION A-A



LEFT SIDE VIEW



FRONT VIEW



RIGHT SIDE VIEW

NOTES:

1. INSTALLATION SHALL COMPLY WITH ALL APPLICABLE NATIONAL, STATE AND LOCAL CODES.
2. SEE PRODUCT DOCUMENTATION FOR FURTHER INFORMATION
3. UNLESS OTHERWISE SPECIFIED, ALL DIMENSIONS ARE IN INCHES[MILLIMETERS].
4. MAXIMUM OPERATING PRESSURE: 300 PSIG (2068 KPA).
5. MINIMUM OPERATING CENTERLINE BENDING RADIUS 15" (381.0MM).
6. FITTINGS & ITEMS NOT OTHERWISE DEFINED ON THIS DRAWING SHALL BE 304, 304L, 316 OR 316L STAINLESS STEEL.
7. FOR SKU DETAILS REFER TABLE.
8. DO NOT LOAD IN AN AXIAL OR TORSIONAL MANNER.
9. USE HANGERS TO SUPPORT WEIGHT OF HOSE AS REQUIRED.
10. FLEX HOSES ARE OPTIONAL AND HAVE TO BE ORDERED BY CUSTOMER.
11. HOSE ASSY MAY INCLUDE CLASS 150 UNION - SUITABLE FOR 300 PSIG.

SKU NO	LENGTH [INCHES(mm)]	DISCRIPTION	WEIGHT [LBS(kg)]	Cv	dP@20GPM IN PSI (dP@4.54CU.M/H IN kPa)
△ ACAC10012	72(1828)	6FT(1.828M) STAINLESS FLEX PIPE KIT 1" MPT TO 1" FPT UNION.	6.0(2.72)	24	0.8(5.5)

THIS DRAWING AND SPECIFICATIONS HEREIN ARE THE PROPERTY OF SCHNEIDER ELECTRIC AND SHALL NOT BE COPIED, REPRODUCED OR USED IN WHOLE OR IN PART, AS THE BASIS FOR THE MANUFACTURE OR SALE OF ITEMS WITHOUT WRITTEN PERMISSION FROM SCHNEIDER ELECTRIC. THIS DRAWING IS BASED UPON LATEST AVAILABLE INFORMATION AND IS SUBJECT TO CHANGE WITHOUT NOTICE.



TITLE: InfraStruXure
INROW RC CHILLED WATER
FLEXIBLE PIPE KIT
100-120VAC, 50/60Hz, NEMA L5-20
HOSE ASSEMBLY, SST, 1.25" ID
PROJECT: STD SUBMITTAL DRAWINGS SHEET 3 OF 3

DWG NO: ACAC10012-ME3
DRAWN BY: V BUSH
ENGINEER: D LINGREY/G IVEY
APPROVED BY: CUMMISKEY/C ZALDVAR

REV. 1
20-SEP-10
20-SEP-10
20-SEP-10
THIRD ANGLE PROJ