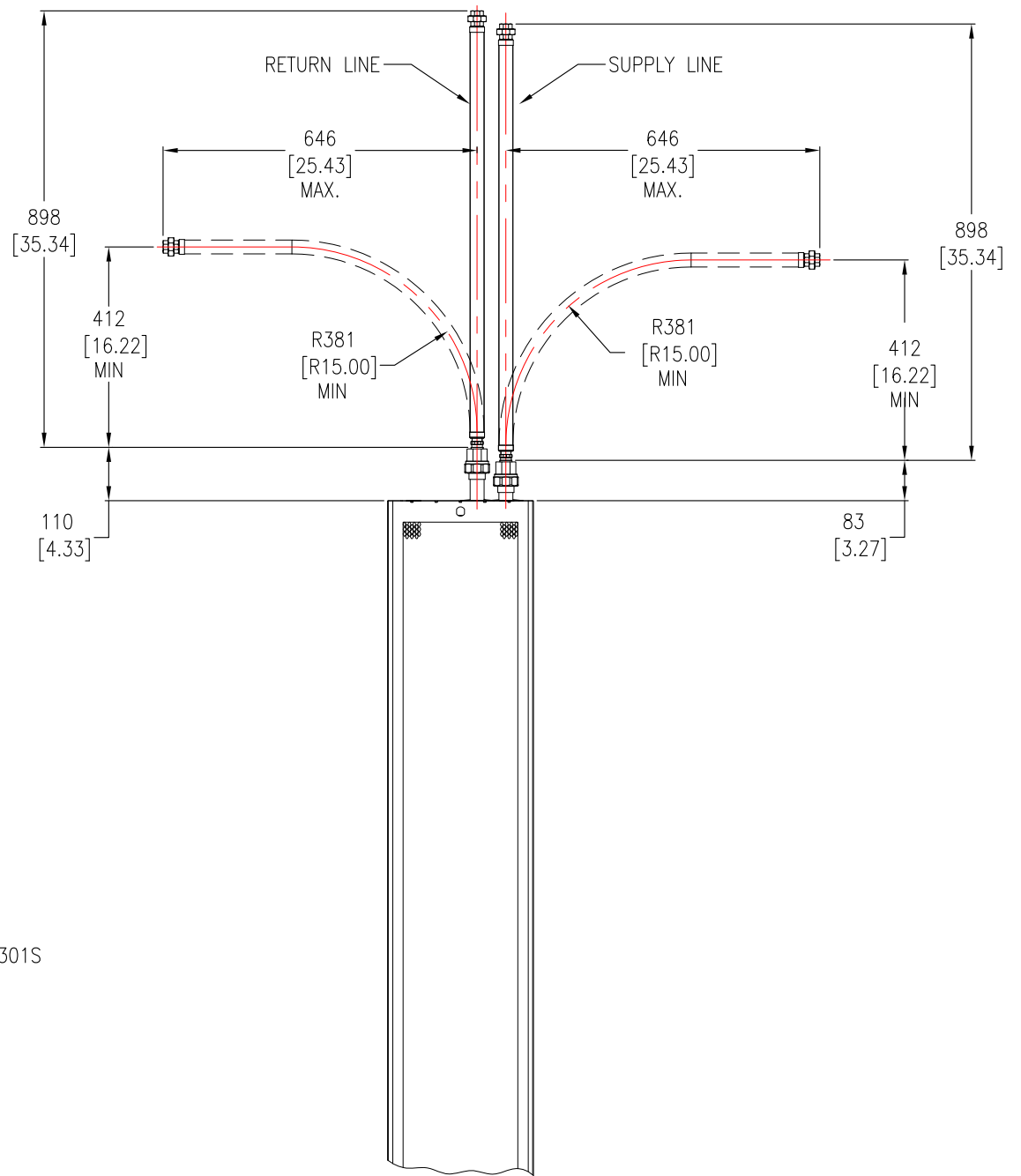


RIGHT SIDE VIEW



REAR VIEW

NOTES:

1. INSTALLATION SHALL COMPLY WITH ALL APPLICABLE NATIONAL, STATE AND LOCAL ELECTRICAL REGULATIONS.
2. REFER TO PRODUCT DOCUMENTATION FOR ADDITIONAL DETAILS PRIOR TO INSTALLATION AND SITE PREPARATION WORK.
3. ALL DIMENSIONS ARE IN MILLIMETERS [INCHES].

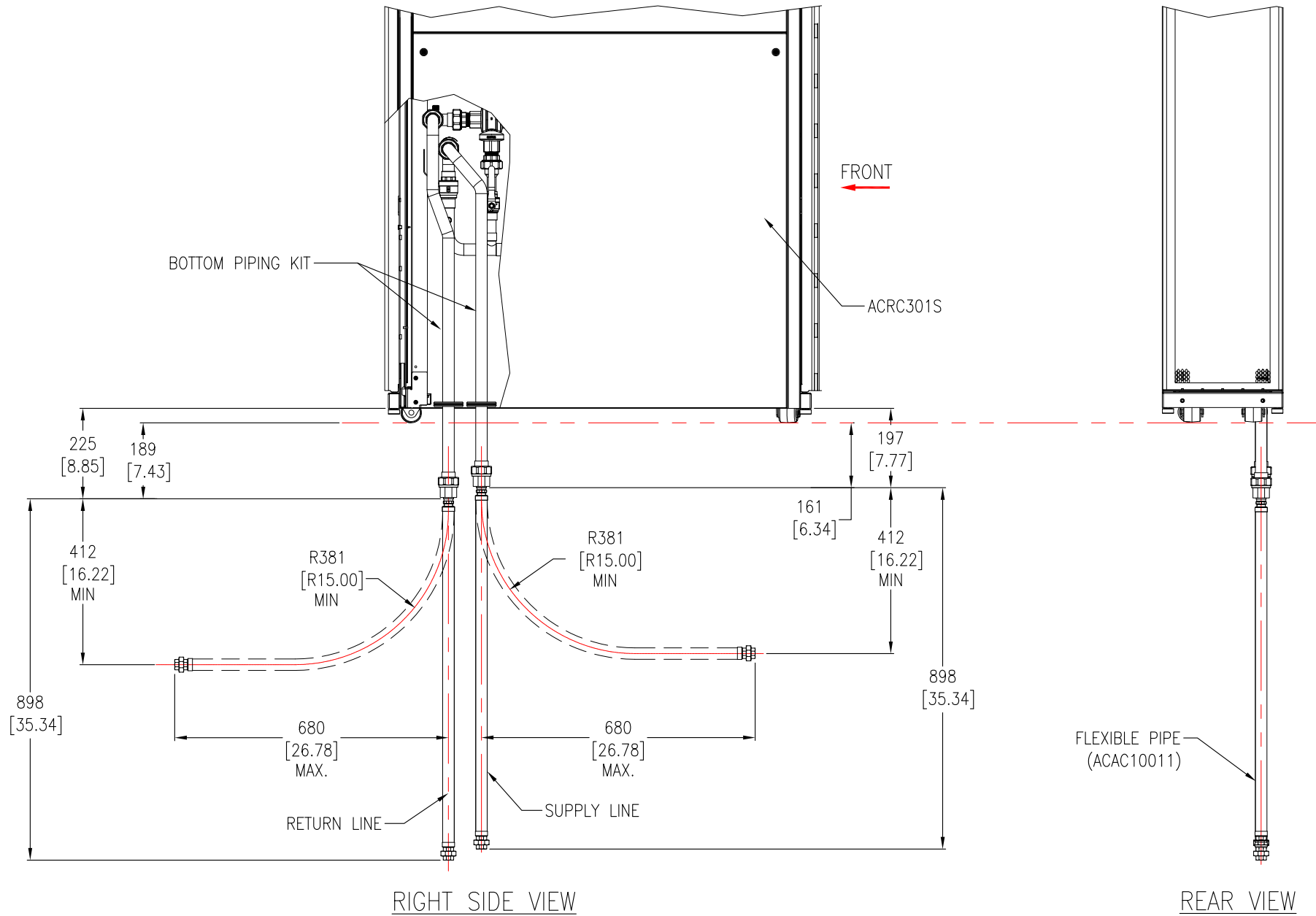
THIS DRAWING AND SPECIFICATIONS HEREIN ARE THE PROPERTY OF SCHNEIDER ELECTRIC AND SHALL NOT BE COPIED, REPRODUCED OR USED IN WHOLE OR IN PART, AS THE BASIS FOR THE MANUFACTURE OR SALE OF ITEMS WITHOUT WRITTEN PERMISSION FROM SCHNEIDER ELECTRIC. THIS DRAWING IS BASED UPON LATEST AVAILABLE INFORMATION AND IS SUBJECT TO CHANGE WITHOUT NOTICE.



TITLE:
InRow Chilled Water Air Conditioners
InRow RC, 300mm, Chilled Water
3 FEET FLEX PIPE, TYPICAL PIPING KIT INSTALLATION
TOP PIPING KIT INSTALLATION WITH FLEX PIPE

PROJECT: DRAWINGS SHEET 1 OF 3

DWG NO:	ACAC10011	REV.	2
DRAWN:	JAYAPRAKASH	18-FEB-16	FIRST ANGLE PROJECTION
ENGINEER:	NICK SCHWEISSGUTH	18-FEB-16	
APPROVED:	NICK SCHWEISSGUTH	18-FEB-16	



NOTES:

1. INSTALLATION SHALL COMPLY WITH ALL APPLICABLE NATIONAL, STATE AND LOCAL ELECTRICAL REGULATIONS.
2. REFER TO PRODUCT DOCUMENTATION FOR ADDITIONAL DETAILS PRIOR TO INSTALLATION AND SITE PREPARATION WORK.
3. ALL DIMENSIONS ARE IN MILLIMETERS [INCHES].

THIS DRAWING AND SPECIFICATIONS HEREIN ARE THE PROPERTY OF SCHNEIDER ELECTRIC AND SHALL NOT BE COPIED, REPRODUCED OR USED IN WHOLE OR IN PART, AS THE BASIS FOR THE MANUFACTURE OR SALE OF ITEMS WITHOUT WRITTEN PERMISSION FROM SCHNEIDER ELECTRIC. THIS DRAWING IS BASED UPON LATEST AVAILABLE INFORMATION AND IS SUBJECT TO CHANGE WITHOUT NOTICE.

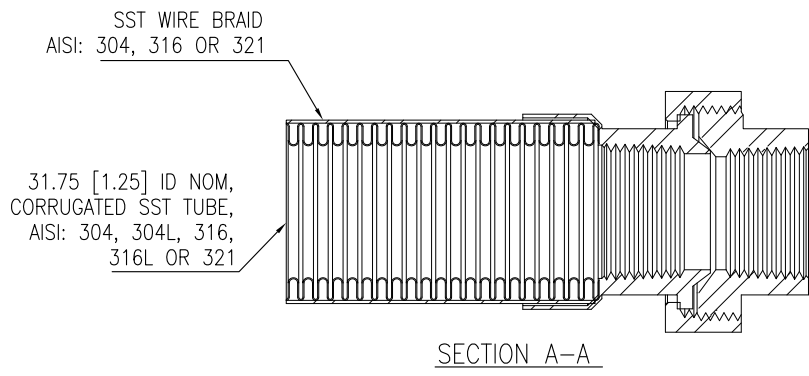
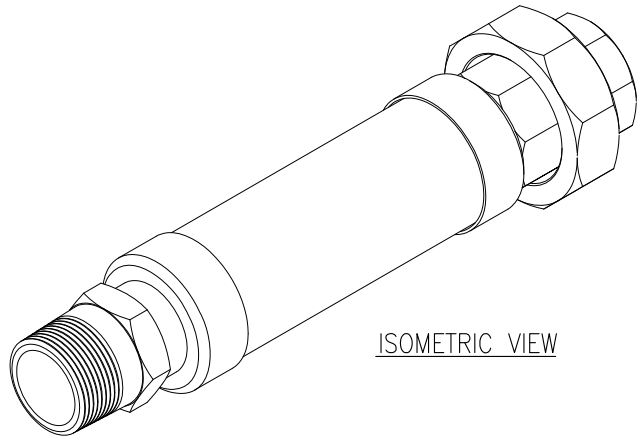
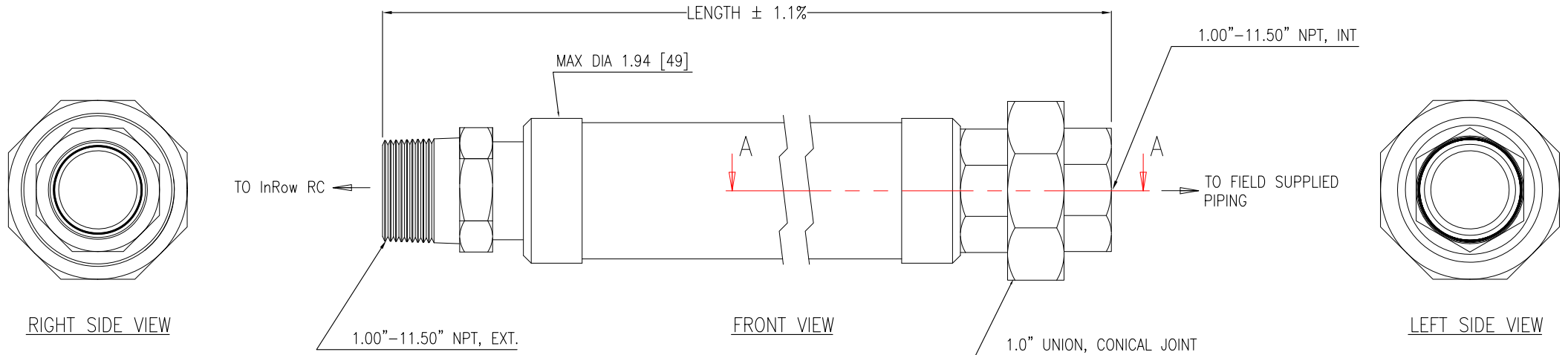


TITLE:
InRow Chilled Water Air Conditioners
InRow RC, 300mm, Chilled Water
3 FEET FLEX PIPE, TYPICAL PIPING KIT INSTALLATION
BOTTOM PIPING KIT INSTALLATION WITH FLEX PIPE

PROJECT: DRAWINGS SHEET 2 OF 3

DWG NO:	ACAC10011		REV:	2
DRAWN:	JAYAPRAKASH	18-FEB-16	ENGINEER:	NICK SCHWEISSGUTH
APPROVED:	NICK SCHWEISSGUTH	18-FEB-16	PROJECT:	DRAWINGS

FIRST ANGLE PROJECTION



- NOTES:**
1. INSTALLATION SHALL COMPLY WITH ALL APPLICABLE NATIONAL, STATE AND LOCAL ELECTRICAL REGULATIONS.
 2. REFER TO PRODUCT DOCUMENTATION FOR ADDITIONAL DETAILS PRIOR TO INSTALLATION AND SITE PREPARATION WORK.
 3. ALL DIMENSIONS ARE IN MILLIMETERS [INCHES].
 4. MAXIMUM OPERATING PRESSURE: 2068 KPA [300 PSIG].
 5. MINIMUM OPERATING CENTERLINE BENDING RADIUS 381mm [15 Inches].
 6. FITTINGS & ITEMS UNLESS OTHERWISE SPECIFIED SHALL BE 304, 304L, 316 OR 316L STAINLESS STEEL.
 7. FOR SKU DETAILS REFER TABLE.
 8. DO NOT LOAD IN AN AXIAL OR TORSIONAL MANNER.
 9. USE HANGERS TO SUPPORT WEIGHT OF HOSE AS REQUIRED.
 10. FLEX HOSES ARE OPTIONAL AND HAVE TO BE ORDERED BY CUSTOMER.
 11. HOSE ASSY MAY INCLUDE CLASS 150 UNION - SUITABLE FOR 300 PSIG.

SKU #	LENGTH IN mm [Inches]	DISCRIPTION	WEIGHT in kg [lb]	Cv	dP@4.54CU.M/H in kPa [dP@20GPM in PSI]
ACAC10011	914 [30]	0.914Meter [3 Feet] STAINLESS FLEX PIPE KIT 1" MPT TO 1" FPT UNION.	1.36 [3.0]	35	2.6 [0.4]

<p>THIS DRAWING AND SPECIFICATIONS HEREIN ARE THE PROPERTY OF SCHNEIDER ELECTRIC AND SHALL NOT BE COPIED, REPRODUCED OR USED IN WHOLE OR IN PART, AS THE BASIS FOR THE MANUFACTURE OR SALE OF ITEMS WITHOUT WRITTEN PERMISSION FROM SCHNEIDER ELECTRIC. THIS DRAWING IS BASED UPON LATEST AVAILABLE INFORMATION AND IS SUBJECT TO CHANGE WITHOUT NOTICE.</p>	<p>TITLE: InRow Chilled Water Air Conditioners InRow RC, 300mm, Chilled Water 3 FEET FLEX PIPE, TYPICAL PIPING KIT INSTALLATION FLEX HOSE ASSEMBLY, SST, 1.25" ID</p>	<p>DWG NO: ACAC10011</p>	<p>REV: 2</p>
	<p>PROJECT: DRAWINGS SHEET 3 OF 3</p>	<p>DRAWN: JAYAPRAKASH 18-FEB-16</p>	<p>FIRST ANGLE PROJECTION</p>
	<p>APPROVED: NICK SCHWEISSGUTH 18-FEB-16</p>	<p>ENGINEER: NICK SCHWEISSGUTH 18-FEB-16</p>	<p>ANGLE</p>