

NOTES:

- PLEASE REFER TO INSTALLATION MANUAL FOR DETAILS
- ALL DIMENSIONS ARE IN MILLIMETERS.
- CABLE ENTRY IS REAR OF UNIT.
SEE UNIT WITH OPTIONAL CONDUIT BOX ON PAGE 3.
- FRONT AND REAR SERVICE CLEARANCE AND TOP COOLING CLEARANCE REQUIRED.
- REFER TO THE TABLE FOR WEIGHT OF THE UNIT.
- △ 6. CENTER OF GRAVITY OF THE UNIT

No. of Battery Modules	x-distance mm	y-distance mm	z-distance mm
Two	261	500	403
Three	261	496	401
Four	261	520	399
Five	261	560	398
Six	261	610	397

- INSTALLATION MUST COMPLY WITH ALL APPLICABLE NATIONAL AND LOCAL CODES.

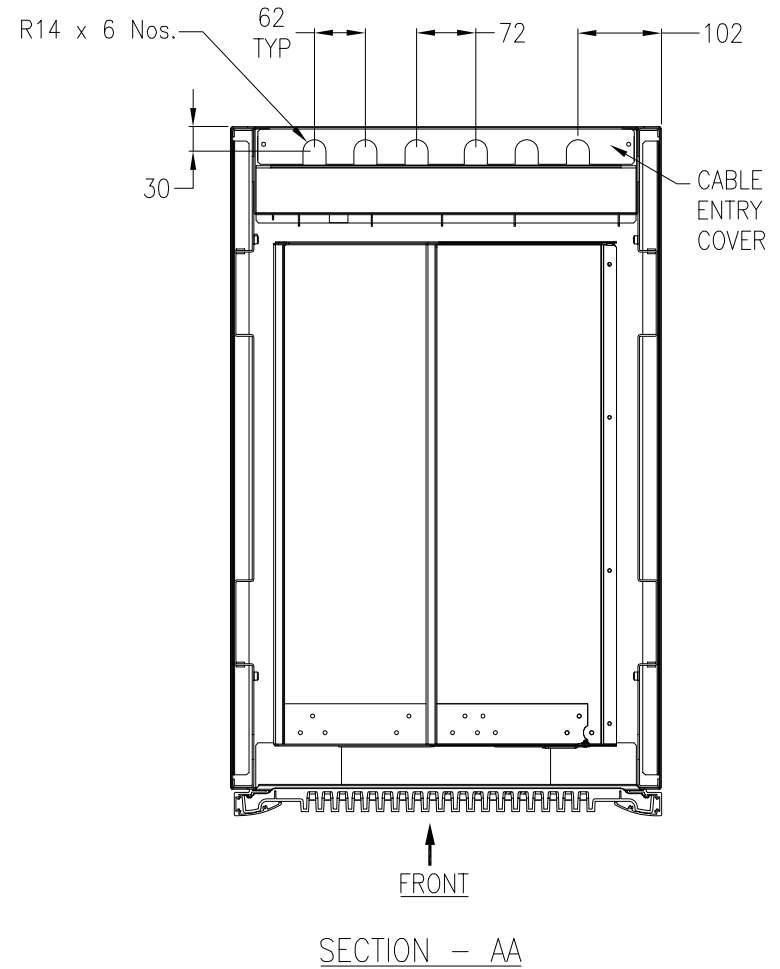
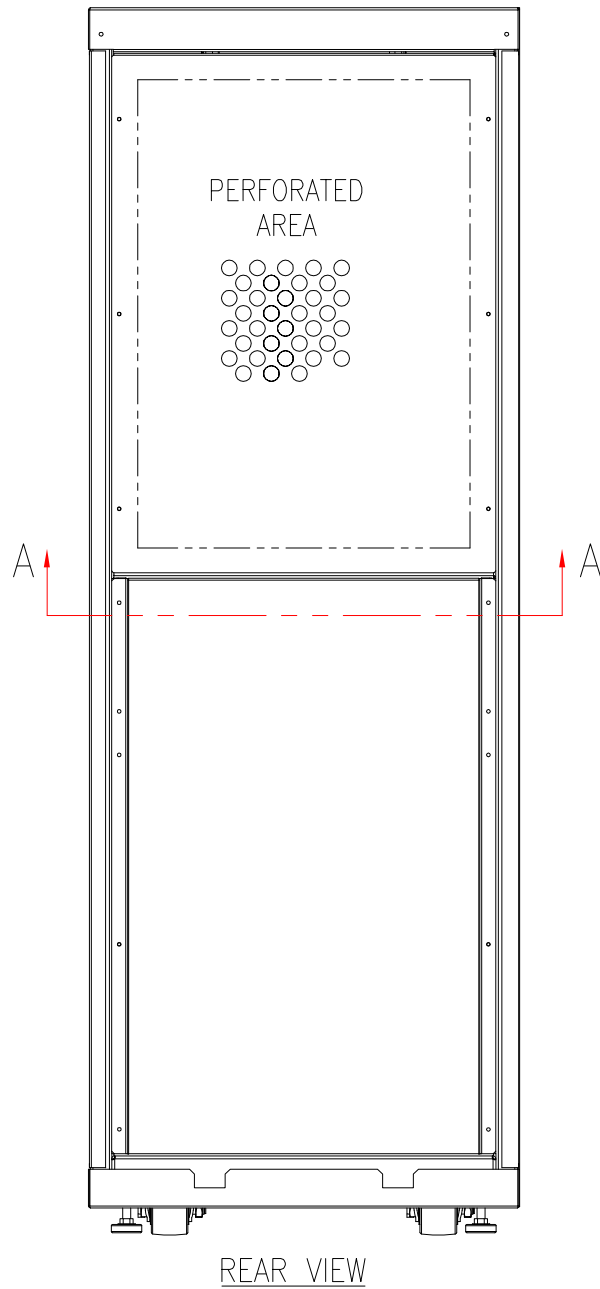
WEIGHT DETAILS

SKU	Number of Battery modules	Weight
		kg
SUVTBXR2B6S	2	399
SUVTBXR2B6S+(1)SYBT4	3	491
SUVTBXR2B6S+(2)SYBT4	4	583
SUVTBXR2B6S+(3)SYBT4	5	675
SUVTBXR2B6S+(4)SYBT4	6	767

THIS DRAWING AND SPECIFICATIONS HEREIN ARE THE PROPERTY OF AMERICAN POWER CONVERSION AND SHALL NOT BE COPIED, REPRODUCED OR USED IN WHOLE OR IN PART, AS THE BASIS FOR THE MANUFACTURE OR SALE OF ITEMS WITHOUT WRITTEN PERMISSION FROM APC. THIS DRAWING IS BASED UPON LATEST AVAILABLE INFORMATION AND IS SUBJECT TO CHANGE WITHOUT NOTICE.

TITLE: SMART-UPS VT XR-CABINET WITH DC BREAKER W/2 BATT. MODULE EXP. TO 6 MAIN MECHANICAL		DWG NO: SUVTBXR2B6S-MM1		REV. —
PROJECT: SUBMITTAL DRAWING	SHEET 1 OF 5	DRAWN BY: JAYAPRAKASH	22/02/05	PROJECTION
		CHECKED BY: M SALOKHE	11/05/05	
		ENGINEER: S WAGH	11/05/05	



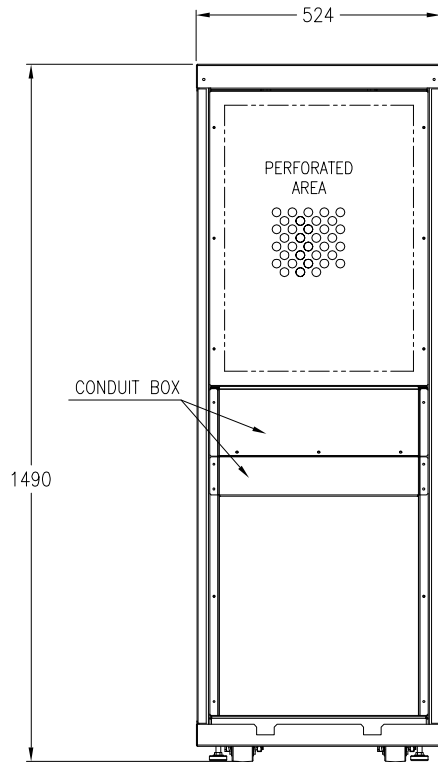


NOTES:

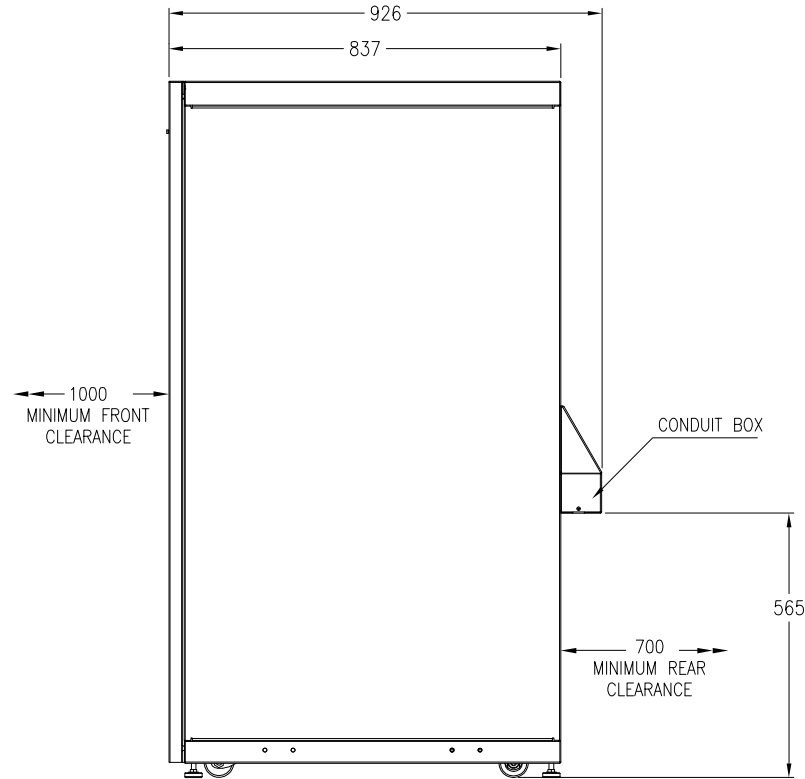
1. PLEASE REFER TO APC PRODUCT MANUAL.
2. ALL DIMENSIONS ARE IN MILLIMETERS.
3. INSTALLATION MUST COMPLY WITH ALL APPLICABLE NATIONAL AND LOCAL CODES.

<small>THIS DRAWING AND SPECIFICATIONS HEREIN ARE THE PROPERTY OF AMERICAN POWER CONVERSION AND SHALL NOT BE COPIED, REPRODUCED OR USED IN WHOLE OR IN PART, AS THE BASIS FOR THE MANUFACTURE OR SALE OF ITEMS WITHOUT WRITTEN PERMISSION FROM APC. THIS DRAWING IS BASED UPON LATEST AVAILABLE INFORMATION AND IS SUBJECT TO CHANGE WITHOUT NOTICE.</small>	TITLE: SMART-UPS VT XR-CABINET WITH DC BREAKER W/2 BATT. MODULE EXP. TO 6 REAR VIEW		DWG NO: SUVTBXR2B6S-MM2 REV. —	 <small>AMERICAN POWER CONVERSION 132 FARGROUNDS RD WEST KINGSTON, RI 02892</small>	
	PROJECT: SUBMITTAL DRAWING	SHEET 2 OF 5	DRAWN BY: JAYAPRAKASH 22/02/05		PROJECTION
	ENGINEER: S WAGH	CHECKED BY: M SALOKHE 11/05/05	11/05/05		

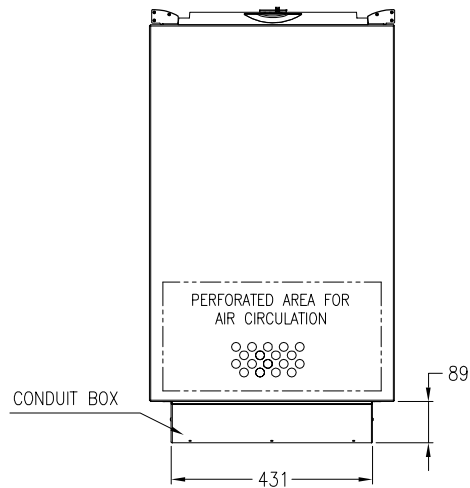
UNIT WITH OPTIONAL CONDUIT BOX



REAR VIEW



SIDE VIEW



TOP VIEW

NOTES:

1. PLEASE REFER TO INSTALLATION MANUAL FOR DETAILS.
2. ALL DIMENSIONS ARE IN MILLIMETERS.
3. CABLE ENTRY IS REAR OF UNIT VIA CONDUIT BOX.
4. CONDUIT BOX IS NOT PROVIDED WITH THE STANDARD UNIT BUT HAS TO BE ORDERED AS AN OPTION.
5. INSTALLATION MUST COMPLY WITH ALL APPLICABLE NATIONAL AND LOCAL CODES.

THIS DRAWING AND SPECIFICATIONS HEREIN ARE THE PROPERTY OF AMERICAN POWER CONVERSION AND SHALL NOT BE COPIED, REPRODUCED OR USED IN WHOLE OR IN PART, AS THE BASIS FOR THE MANUFACTURE OR SALE OF ITEMS WITHOUT WRITTEN PERMISSION FROM APC. THIS DRAWING IS BASED UPON LATEST AVAILABLE INFORMATION AND IS SUBJECT TO CHANGE WITHOUT NOTICE.

TITLE: SMART-UPS VT XR-CABINET
WITH DC BREAKER
W/2 BATT. MODULE EXP. TO 6
CONDUIT BOX OPTION

DWG NO: SUVTBXR2B6S-MM3

REV. —

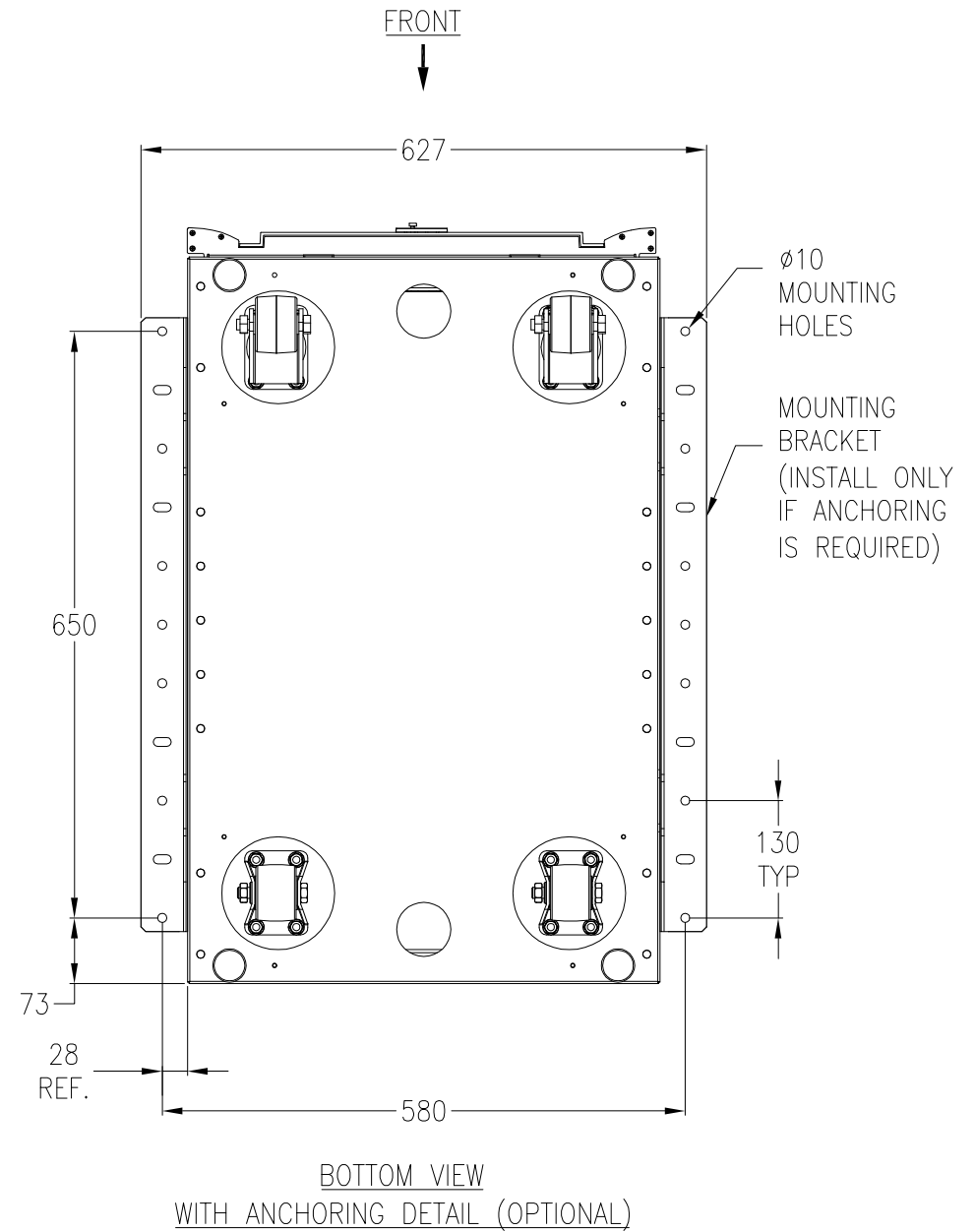
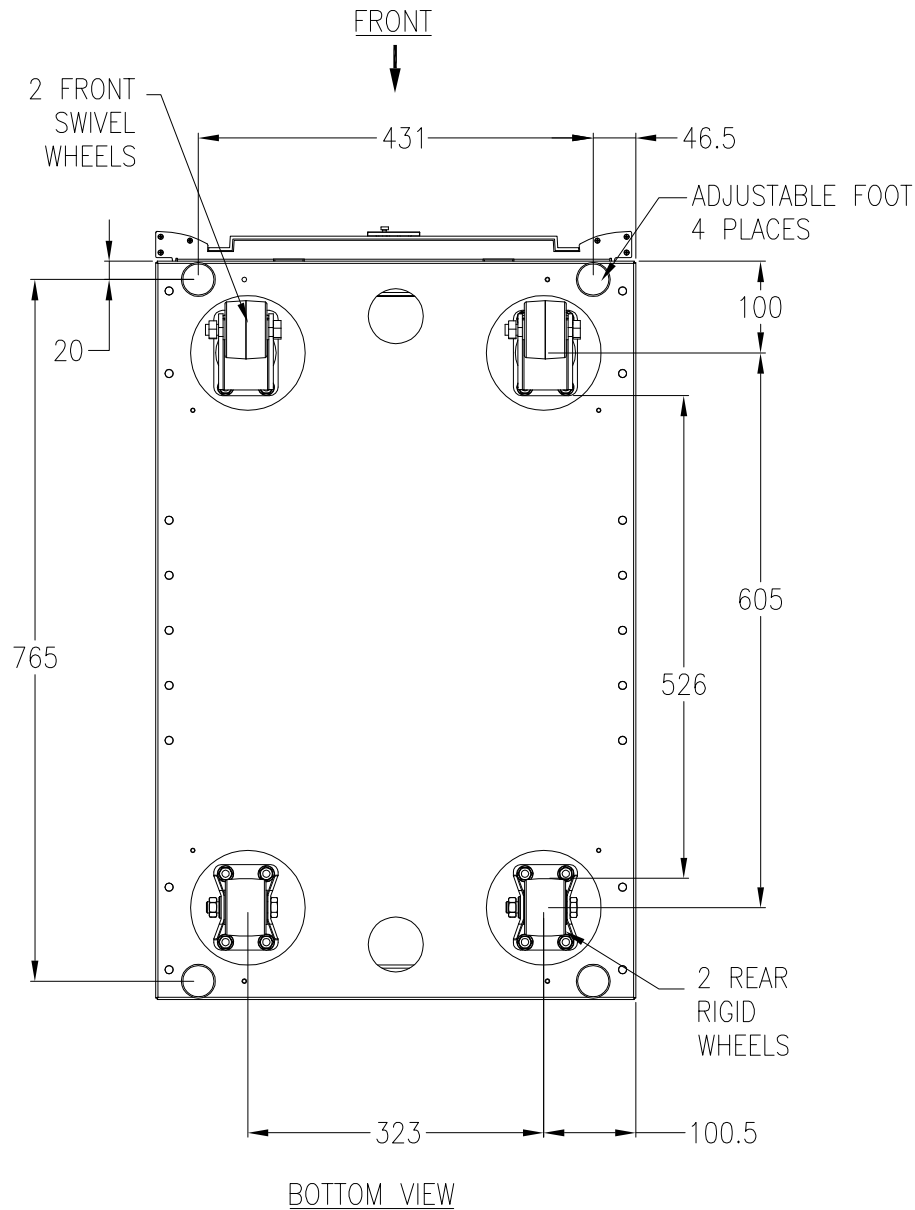
DRAWN BY: JAYAPRAKASH 22/02/05

CHECKED BY: M SALOKHE 11/05/05

PROJECT: SUBMITTAL DRAWING SHEET 3 OF 5 ENGINEER: S WAGH 11/05/05

PROJECTION

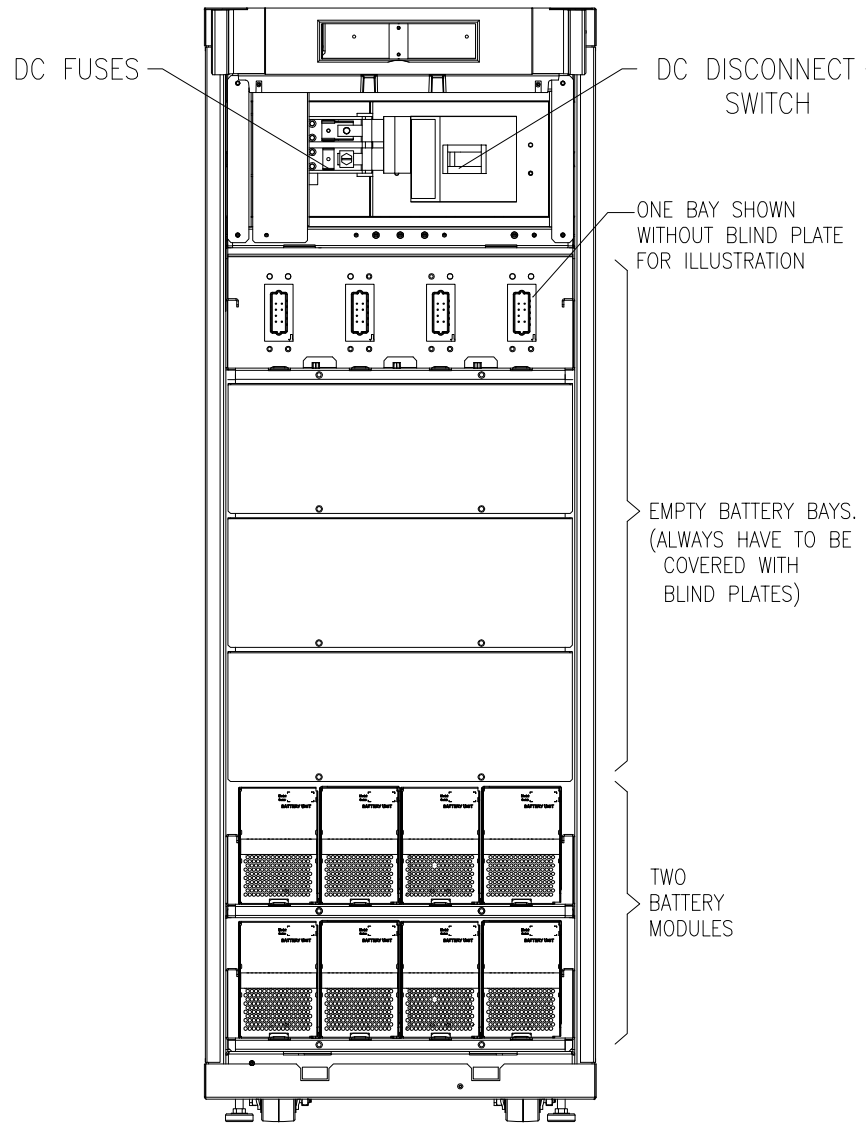
APC[®]
AMERICAN POWER CONVERSION
132 FARGROUNDS RD
WEST KINGSTON, RI 02892



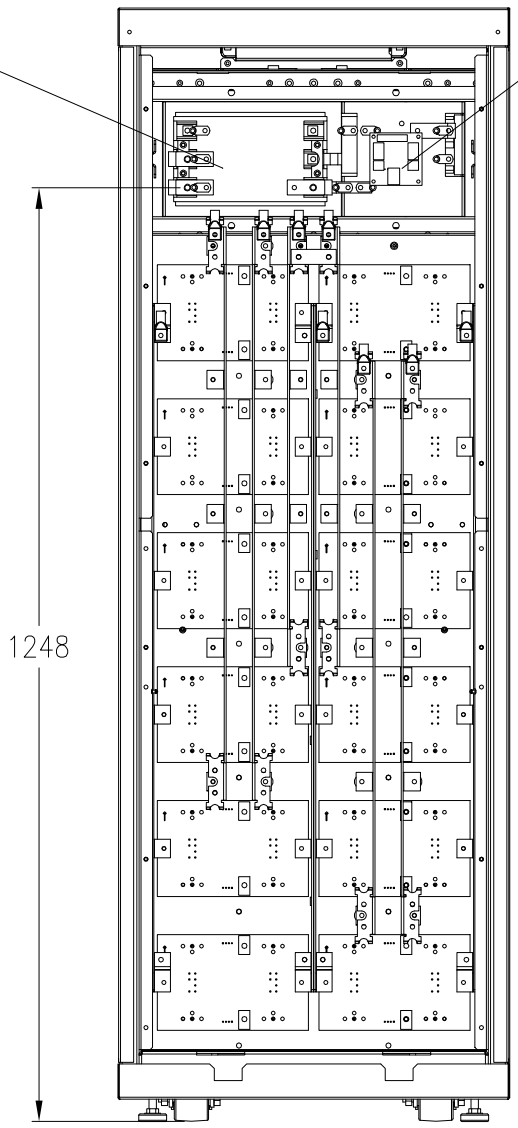
NOTES:

1. PLEASE REFER TO APC PRODUCT MANUAL.
2. ALL DIMENSIONS ARE IN MILLIMETERS.
3. INSTALLATION MUST COMPLY WITH ALL APPLICABLE NATIONAL AND LOCAL CODES.

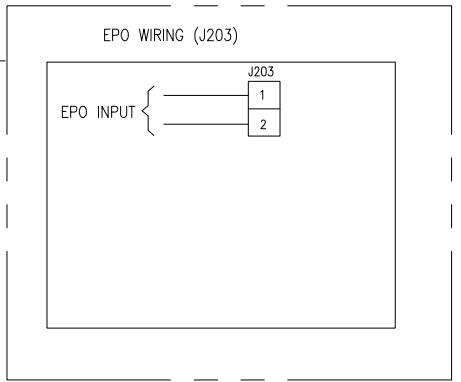
THIS DRAWING AND SPECIFICATIONS HEREIN ARE THE PROPERTY OF AMERICAN POWER CONVERSION AND SHALL NOT BE COPIED, REPRODUCED OR USED IN WHOLE OR IN PART, AS THE BASIS FOR THE MANUFACTURE OR SALE OF ITEMS WITHOUT WRITTEN PERMISSION FROM APC. THIS DRAWING IS BASED UPON LATEST AVAILABLE INFORMATION AND IS SUBJECT TO CHANGE WITHOUT NOTICE.	TITLE: SMART-UPS VT XR-CABINET WITH DC BREAKER W/2 BATT. MODULE EXP. TO 6 BOTTOM VIEW	DWG NO: SUVTBXR2B6S-MM4	REV. -	<p>AMERICAN POWER CONVERSION 132 FARGROUNDS RD WEST KINGSTON, RI 02892</p>
	PROJECT: SUBMITTAL DRAWING SHEET 4 OF 5	DRAWN BY: JAYAPRAKASH CHECKED BY: M SALOKHE ENGINEER: S WACH	22/02/05 11/05/05 11/05/05	



FRONT VIEW
PANEL REMOVED



REAR VIEW
PANEL REMOVED



EPO is activated when an isolated SELV 24 VDC voltage is supplied on pin 1 with reference to pin 2

- NOTES:
- PLEASE REFER TO APC PRODUCT MANUAL.
 - ALL DIMENSIONS ARE IN MILLIMETERS.
 - SUVT UPS IS DESIGNED FOR SINGLE AND DUAL MAINS.
SINGLE MAINS INSTALLATION IS A DEFAULT.
 - INSTALLATION MUST COMPLY WITH ALL APPLICABLE NATIONAL AND LOCAL CODES.

THIS DRAWING AND SPECIFICATIONS HEREIN ARE THE PROPERTY OF AMERICAN POWER CONVERSION AND SHALL NOT BE COPIED, REPRODUCED OR USED IN WHOLE OR IN PART, AS THE BASIS FOR THE MANUFACTURE OR SALE OF ITEMS WITHOUT WRITTEN PERMISSION FROM APC. THIS DRAWING IS BASED UPON LATEST AVAILABLE INFORMATION AND IS SUBJECT TO CHANGE WITHOUT NOTICE.		TITLE: SMART-UPS VT XR-CABINET WITH DC BREAKER W/2 BATT. MODULE EXP. TO 6 ELECTROMECHANICAL		DWG NO: SUVTBX2B6S-ME		REV. —
PROJECT: SUBMITTAL DRAWING	SHEET 5 OF 5	DRAWN BY: JAYAPRAKASH	22/02/05	CHECKED BY: M SALOKHE	11/05/05	PROJECTION
		ENGINEER: S WAGH	11/05/05			 <small>AMERICAN POWER CONVERSION 132 FARGROUNDS RD WEST KINGSTON, RI 02892</small>