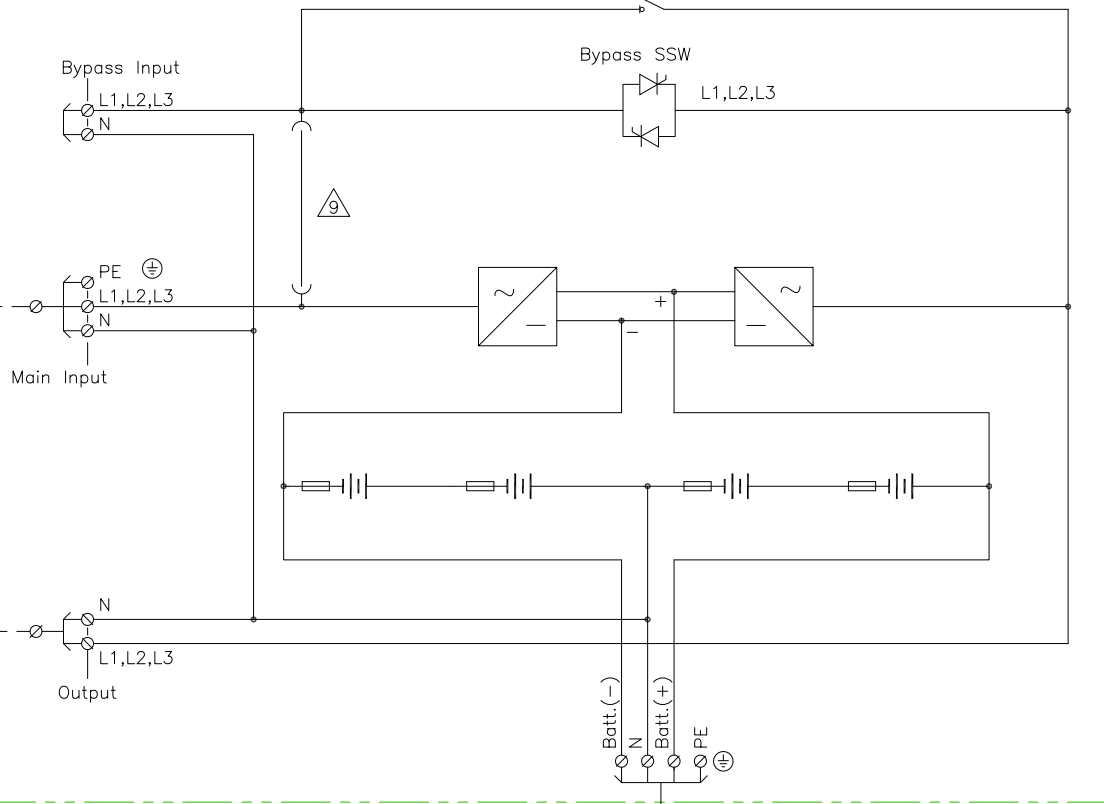


△2  
 MAINS INPUT  
 (PROVIDED BY OTHERS)  
 3x400/230V  
 L1,L2,L3,N,PE

50A  
 (gL TYPE  
 FUSE)

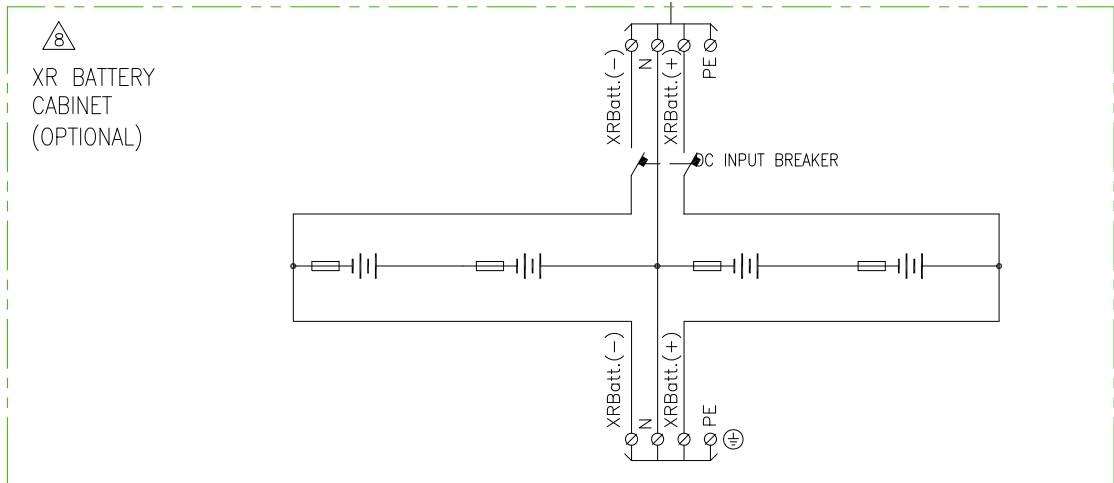
UPS



UPS SYSTEM  
 OUTPUT  
 30kVA 400V  
 L1,L2,L3,N,PE

**NOTES:**

1. PLEASE REFER TO APC INSTALLATION GUIDE.
- △2. SHALL BE L1, L2, L3, N, PE (PROVIDED BY OTHERS).
- △3. ----- = AC/DC CABLING (PROVIDED BY OTHERS).
4. ALL AC POWER CABLING IS L1, L2, L3, N, PE.
- △5. DC CABLING SHOULD BE SEGREGATED FROM AC CABLING. SEE BATTERY INSTALLATION INFORMATION.
6. UPS INPUT AND OUTPUT CALES SHOUL BE SEGREGATED.
7. POWER AND CONTROL WIRING SHOULD BE SEGREGATED.
- △8. XR BATTERY CABINET CAN BE BAYED TO UPS, BAYING KIT SHALL BE PURCHASED AS AN OPTION. XR BATTERY CABINET IS ALSO AVAILABLE WITHOUT BREAKER, WITH DC FUSES ONLY. UPS TO 4 XR BATTERY CABINETS CAN BE CONNECTED TO UPS TO EXTEND BACK UP TIME.
- △9. SINGLE MAINS INSTALLATION IS A DEFAULT. FOR DUAL MAINS OPTION REFER TO DRAWINGS# SUVT30KH2S-SD FOR DETAILS.
10. OUTPUT OVERCURRENT PROTECTION SHALL BE PROVIDED BY OTHERS.
11. INSTALLATION SHALL COMPLY WITH ALL APPLICABLE NATIONAL, STATE AND LOCAL CODES.
12. SEE PRODUCT DOCUMENTATION FOR FURTHER INFORMATION.
13. THIS DRAWING DEPICTS THE POWER SYSTEM CONNECTIONS ANS IS NOT REPRESENTATIVE OF THE PHYSICAL LAYOUT. PLEASE REFER TO MECHANICAL DRAWINGS FOR PHYSICAL LAYOUT.



THIS DRAWING AND SPECIFICATIONS HEREIN ARE THE PROPERTY OF SCHNEIDER ELECTRIC AND SHALL NOT BE COPIED, REPRODUCED OR USED IN WHOLE OR IN PART, AS THE BASIS FOR THE MANUFACTURE OR SALE OF ITEMS WITHOUT WRITTEN PERMISSION FROM SCHNEIDER ELECTRIC. THIS DRAWING IS BASED UPON LATEST AVAILABLE INFORMATION AND IS SUBJECT TO CHANGE WITHOUT NOTICE.



TITLE:  
 SMART-UPS VT  
 INPUT: 3x400/230V SINGLE MAINS  
 OUTPUT: 3x400/230V 30kVA  
 SYSTEM ONE LINE  
 PROJECT: STD SUBMITTAL DRAWINGS SHEET 1 OF 1

DWG NO:	SUVT30KH1S-SD	REV.	2
DRAWN BY:	V BUSH	15-APR-11	PROJ
ENGINEER:	B H NIELSEN	15-APR-11	ANGLE
APPROVED BY:	C LARSEN	15-APR-11	N.A.