

CATALOG NUMBERING	
K (*) L (*) (*) (***)	SEE CHART BELOW
A, H, OR C	2 POLE, OR 3 POLE
2 OR 3	6 = 600 VAC 4 = 480 VAC
6 OR 4	070 - 110 AMP: INCREMENT BY 10 125 - 250 AMP: INCREMENT BY 25
070 - 250 AMP	

KAL (Standard Interrupting)

Ratings: 600VAC/250VDC, 70 - 250 AMPERE

KHL (High Interrupting)

Ratings: 600VAC/250VDC, 70 - 250 AMPERE

KCL (Extra High Interrupting)

Ratings: 480VAC, 110 - 250 AMPERE

KAL & KHL (70 - 250 AMP)

Wire Size: (1) #6 - 350 kcmil

Terminal Torque: -

KCL (110 - 175 AMP)

Wire Size: (1) #6 - 350 kcmil

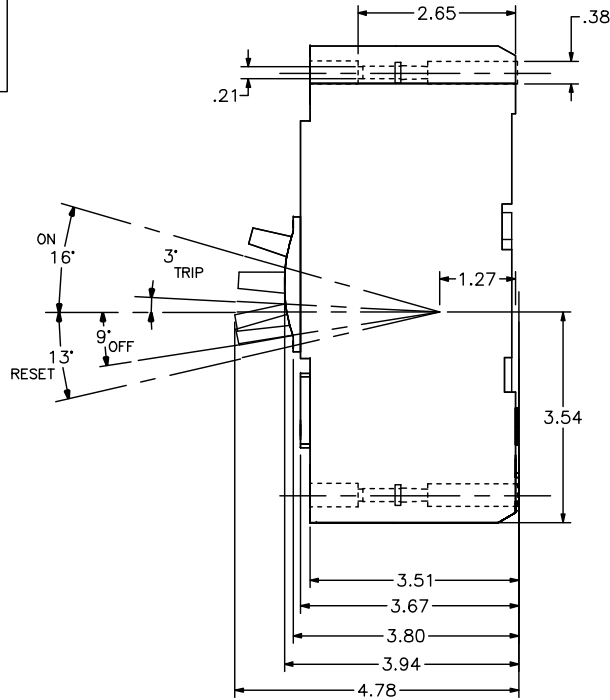
Terminal Torque: -

KCL (200 - 250 AMP)

Wire Size: (1) 1/0 - 350 kcmil

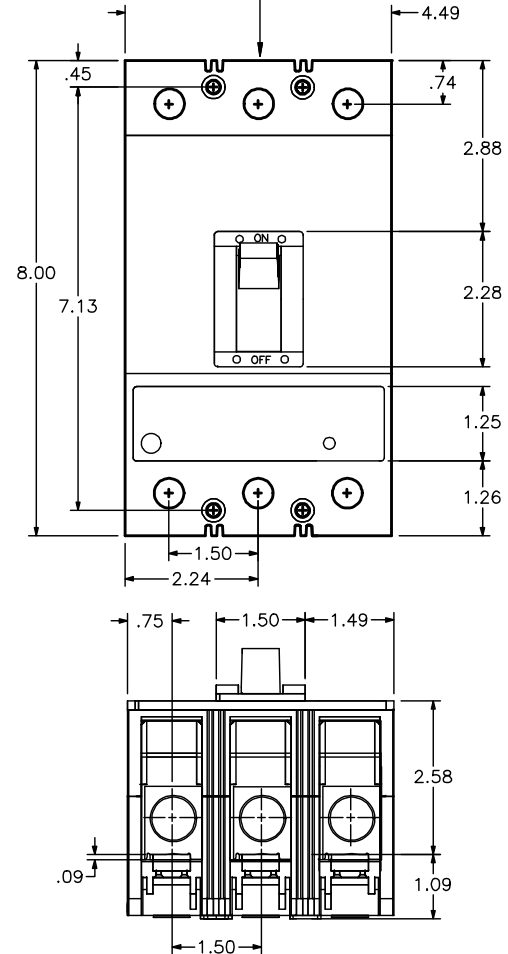
Terminal Torque: -

Catalog Number: SEE CHART
 Ratings: SEE CHART
 UL File/Guide: E10027
 CSA File/Guide: LR7551
 Meets Standards: IEC 157-1
 Weight: 8.50 lbs.
 Wire Size: SEE CHART
 Terminal torque: -
 Mounting Hwd.: 8-32 SCREWS



Electrical Clearance/Wire Bending Space

Wire bending space is based upon the maximum wire size of the terminal, and NEC article 430-10. Wire bending space for the bottom is the same as the top wire bending space.



"THE SQUARE D COMPANY HAS PROPRIETARY RIGHTS TO THE INFORMATION CONTAINED HEREON. THIS INFORMATION REMAINS THE PROPERTY OF SQUARE D COMPANY AND MAY BE USED ONLY IN CONFORMANCE WITH INSTRUCTIONS ISSUED BY SQUARE D COMPANY. USER SHOULD VERIFY DRAWINGS ARE TO THE LATEST/CURRENT REVISION PRIOR TO INCORPORATING IN A DESIGN FILE."

DO NOT SCALE DRAWING
UNLESS OTHERWISE SPECIFIED DIMENSIONS ARE IN INCHES

THIRD ANGLE PROJECTION
TOLERANCES
UNLESS OTHERWISE SPECIFIED
2 PLACE DECIMALS ± .01

CIRCUIT BREAKERS (250A FRAME)
(THERMAL MAGNETIC MOLDED CASE)
SEE CHART

SQUARE D
by **Schneider Electric**

DWG# KA-KC-KH_3P_250A_OUTLINE_001
NO.