

NOTES:

1. INSTALLATION SHALL COMPLY WITH ALL APPLICABLE NATIONAL, STATE AND LOCAL ELECTRICAL REGULATIONS.
2. PLEASE REFER TO PRODUCT MANUALS FOR ADDITIONAL DETAILS PRIOR TO INSTALLATION AND SITE PREPARATION WORK.

THIS DRAWING AND SPECIFICATIONS HEREIN ARE THE PROPERTY OF SCHNEIDER ELECTRIC AND SHALL NOT BE COPIED, REPRODUCED OR USED IN WHOLE OR IN PART, AS THE BASIS FOR THE MANUFACTURE OR SALE OF ITEMS WITHOUT WRITTEN PERMISSION FROM SCHNEIDER ELECTRIC. THIS DRAWING IS BASED UPON LATEST AVAILABLE INFORMATION AND IS SUBJECT TO CHANGE WITHOUT NOTICE.



TITLE: EASY UPS 3S
PARALLEL MAINTENANCE BYPASS PANEL
10-40KVA, 3PH, 400V, UP TO 2 UNITS
ISOMETRIC VIEW

DWG NO: E3SOPT006

REV. 0

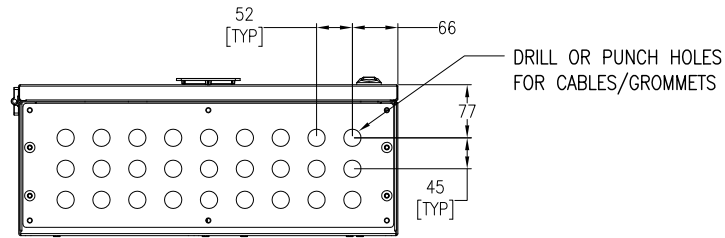
DRAWN: JAYAPRAKASH 12-JUN-19

ENGINEER: Lily ZHU 24-JUL-19

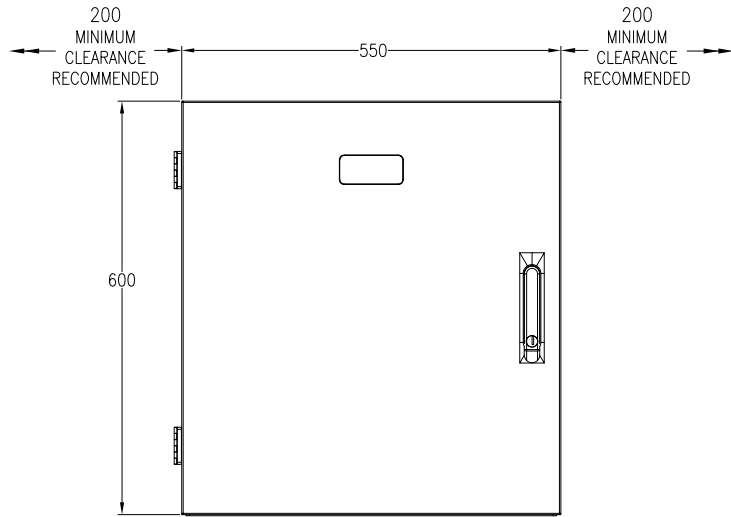
APPROVED: Wayne LI 24-JUL-19

PROJECT: SUBMITTAL DRAWINGS SHEET 1 OF 3

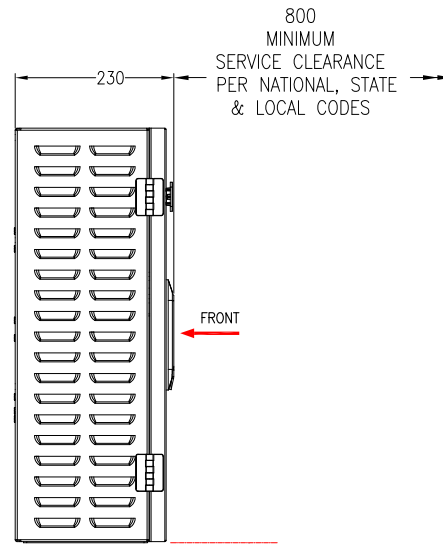
FIRST ANGLE PROJECTION



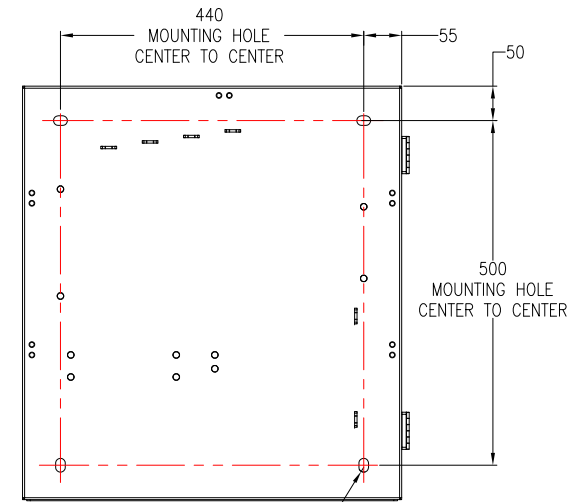
BOTTOM VIEW



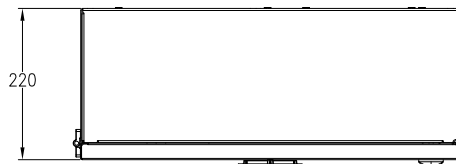
FRONT VIEW



LEFT SIDE VIEW



REAR VIEW



TOP VIEW

- NOTES:
1. INSTALLATION SHALL COMPLY WITH ALL APPLICABLE NATIONAL, STATE AND LOCAL ELECTRICAL REGULATIONS.
 2. PLEASE REFER TO PRODUCT MANUALS FOR ADDITIONAL DETAILS PRIOR TO INSTALLATION AND SITE PREPARATION WORK.
 3. ALL DIMENSIONS ARE IN MILLIMETERS.
 4. CABLE ENTRY AND OUTGOING IS THROUGH BOTTOM OF UNIT.
 5. FRONT SERVICE ACCESS IS REQUIRED.
 6. NET WEIGHT OF THE UNIT IS 30kg.

THIS DRAWING AND SPECIFICATIONS HEREIN ARE THE PROPERTY OF SCHNEIDER ELECTRIC AND SHALL NOT BE COPIED, REPRODUCED OR USED IN WHOLE OR IN PART, AS THE BASIS FOR THE MANUFACTURE OR SALE OF ITEMS WITHOUT WRITTEN PERMISSION FROM SCHNEIDER ELECTRIC. THIS DRAWING IS BASED UPON LATEST AVAILABLE INFORMATION AND IS SUBJECT TO CHANGE WITHOUT NOTICE.



TITLE: EASY UPS 3S
PARALLEL MAINTENANCE BYPASS PANEL
10-40kVA, 3PH, 400V, UP TO 2 UNITS
GENERAL ARRANGEMENT

DWG NO: E3SOPT006

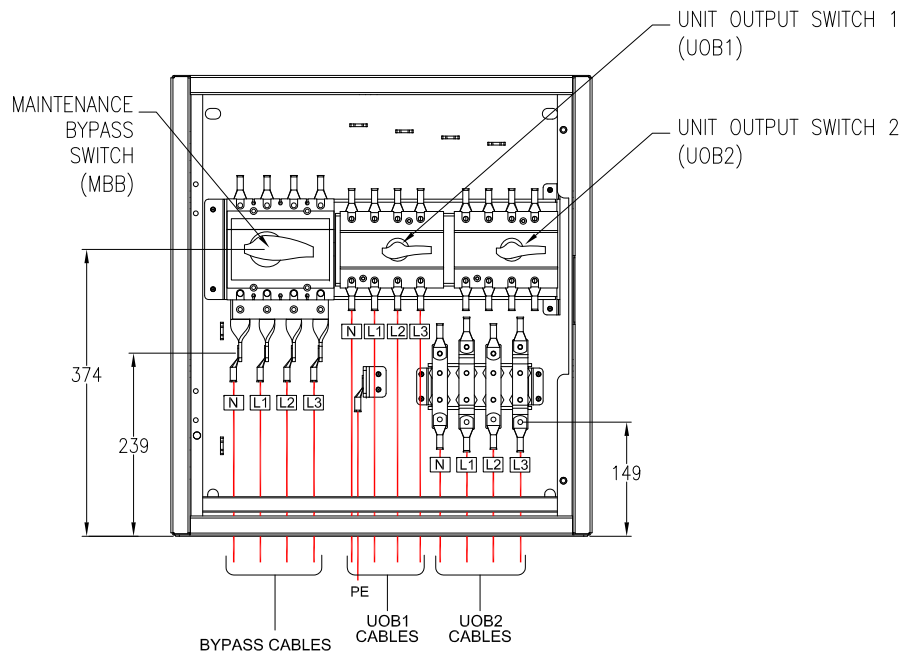
REV. 0

DRAWN: JAYAPRAKASH 12-JUN-19

ENGINEER: Lily ZHU 24-JUL-19

APPROVED: Wayne LI 24-JUL-19

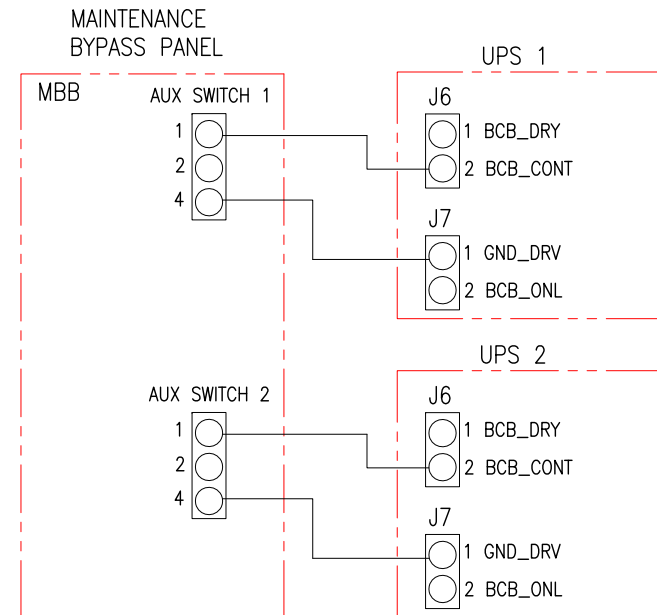
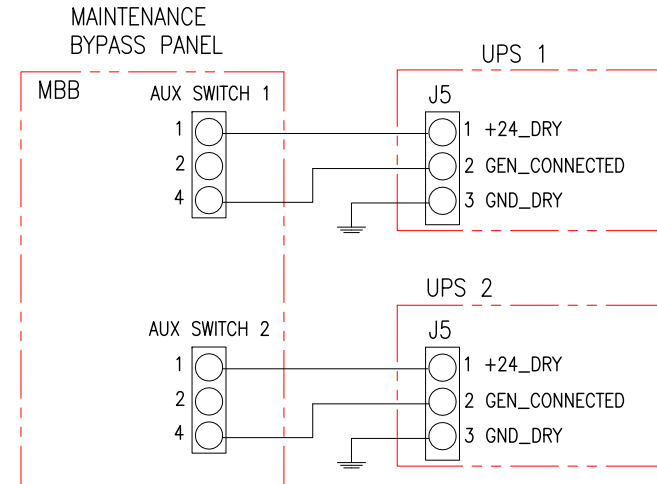
FIRST ANGLE PROJECTION



FRONT VIEW
(INTERNAL DETAILS)

SIGNAL CABLE CONNECTIONS

CONNECT SIGNAL CABLES 18AWG (NOT SUPPLIED) BETWEEN THE MAINTENANCE BYPASS SWITCH MBB AND UPS1 UPS2. USE ONE OF THE TWO METHODS SHOWN BELOW



- NOTES:
1. INSTALLATION SHALL COMPLY WITH ALL APPLICABLE NATIONAL, STATE AND LOCAL ELECTRICAL REGULATIONS.
 2. PLEASE REFER TO PRODUCT MANUALS FOR ADDITIONAL DETAILS PRIOR TO INSTALLATION AND SITE PREPARATION WORK.
 3. ALL DIMENSIONS ARE IN MILLIMETERS.
 4. REFER TO WIRING DIAGRAM FOR CONTROL AND COMMUNICATION INTERFACE DETAILS.

THIS DRAWING AND SPECIFICATIONS HEREIN ARE THE PROPERTY OF SCHNEIDER ELECTRIC AND SHALL NOT BE COPIED, REPRODUCED OR USED IN WHOLE OR IN PART, AS THE BASIS FOR THE MANUFACTURE OR SALE OF ITEMS WITHOUT WRITTEN PERMISSION FROM SCHNEIDER ELECTRIC. THIS DRAWING IS BASED UPON LATEST AVAILABLE INFORMATION AND IS SUBJECT TO CHANGE WITHOUT NOTICE.



TITLE: EASY UPS 3S
PARALLEL MAINTENANCE BYPASS PANEL
10-40KVA, 3PH, 400V, UP TO 2 UNITS
INTERNAL VIEW AND SIGNAL CABLE CONNECTION

DWG NO: E3SOPT006

REV. 0

DRAWN: JAYAPRAKASH 12-JUN-19

ENGINEER: Lily ZHU 24-JUL-19

APPROVED: Wayne LI 24-JUL-19

PROJECT: SUBMITTAL DRAWINGS SHEET 3 OF 3

FIRST ANGLE PROJECTION