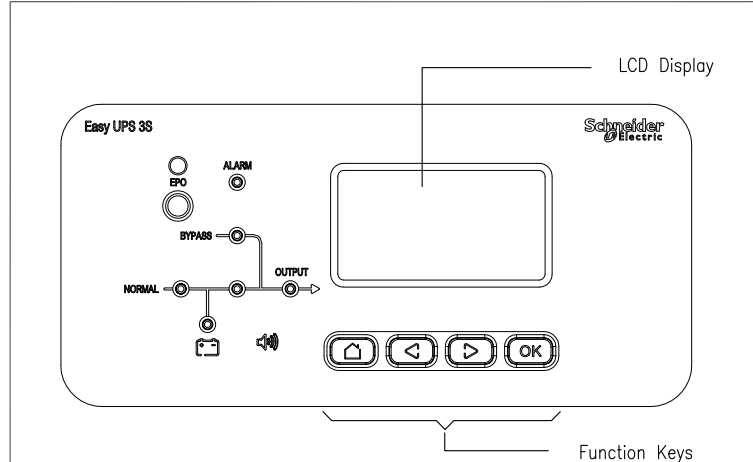


APPLICABLE SKUs & RUNTIME CHART

Sl.No.	SKU#	Runtime at PF=1 and 100% load in Minutes	Number of Battery Strings
1	E3SUPS10K3IB	0	0
2	E3SUPS10K3IB1	8.4	1
3	E3SUPS10K3IB2	22.5	2
4	E3SUPS15K3IB	0	0
5	E3SUPS15K3IB1	4.2	1
6	E3SUPS15K3IB2	12.5	2

1 String contains 4 Battery Blocks



DISPLAY INTERFACE (ENLARGED VIEW)

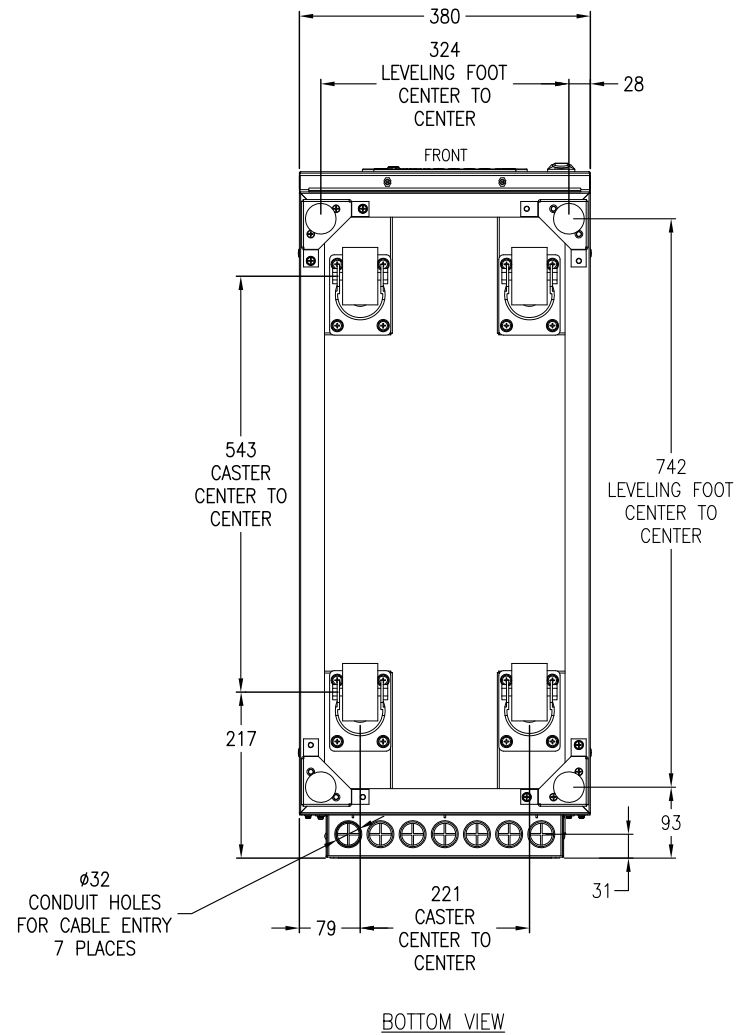
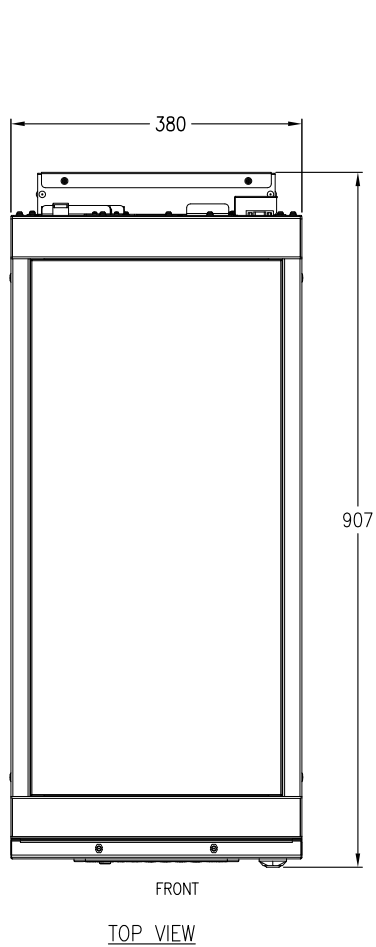
- NOTES:**
1. INSTALLATION SHALL COMPLY WITH ALL APPLICABLE NATIONAL AND LOCAL ELECTRICAL REGULATIONS.
 2. REFER TO PRODUCT DOCUMENTATION FOR ADDITIONAL DETAILS PRIOR TO INSTALLATION AND SITE PREPARATION WORK.
 3. ALL DIMENSIONS ARE IN MILLIMETERS UNLESS OTHERWISE SPECIFIED.
 4. NET WEIGHT OF THE UNIT WITHOUT BATTERY IS 130kg. NET WEIGHT OF 1 BATTERY BLOCK IS 27kg.
 5. FRONT, REAR AND SIDE SERVICE/VENTILATION CLEARANCE REQUIRED.
 6. COLOR: RAL 9003.
 7. OPERATING TEMPERATURE: 0°C MIN. TO 40°C MAX.
 8. PROTECTION CLASS: IP20

THIS DRAWING AND SPECIFICATIONS HEREIN ARE THE PROPERTY OF SCHNEIDER ELECTRIC AND SHALL NOT BE COPIED, REPRODUCED OR USED IN WHOLE OR IN PART, AS THE BASIS FOR THE MANUFACTURE OR SALE OF ITEMS WITHOUT WRITTEN PERMISSION FROM SCHNEIDER ELECTRIC. THIS DRAWING IS BASED UPON LATEST AVAILABLE INFORMATION AND IS SUBJECT TO CHANGE WITHOUT NOTICE.



TITLE: EASY UPS 3S WITH INTERNAL BATTERIES GENERAL ARRANGEMENT
 PROJECT: SUBMITTAL DRAWINGS SHEET 1 OF 6

DWG NO: E3SUPS10K3I15B
 DRAWN: JAYAPRAKASH 27-AUG-18
 ENGINEER: COMPBELL BAI 29-AUG-18
 APPROVED: FRANK ZHANG 29-AUG-18
 REV. FIRST ANGLE PROJECTION



- NOTES:**
1. INSTALLATION SHALL COMPLY WITH ALL APPLICABLE NATIONAL AND LOCAL ELECTRICAL REGULATIONS.
 2. REFER TO PRODUCT DOCUMENTATION FOR ADDITIONAL DETAILS PRIOR TO INSTALLATION AND SITE PREPARATION WORK.
 3. ALL DIMENSIONS ARE IN MILLIMETERS UNLESS OTHERWISE SPECIFIED.

THIS DRAWING AND SPECIFICATIONS HEREIN ARE THE PROPERTY OF SCHNEIDER ELECTRIC AND SHALL NOT BE COPIED, REPRODUCED OR USED IN WHOLE OR IN PART, AS THE BASIS FOR THE MANUFACTURE OR SALE OF ITEMS WITHOUT WRITTEN PERMISSION FROM SCHNEIDER ELECTRIC. THIS DRAWING IS BASED UPON LATEST AVAILABLE INFORMATION AND IS SUBJECT TO CHANGE WITHOUT NOTICE.

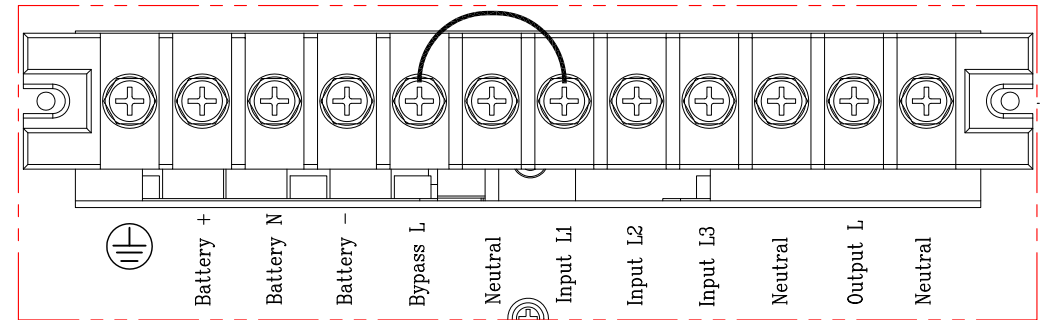
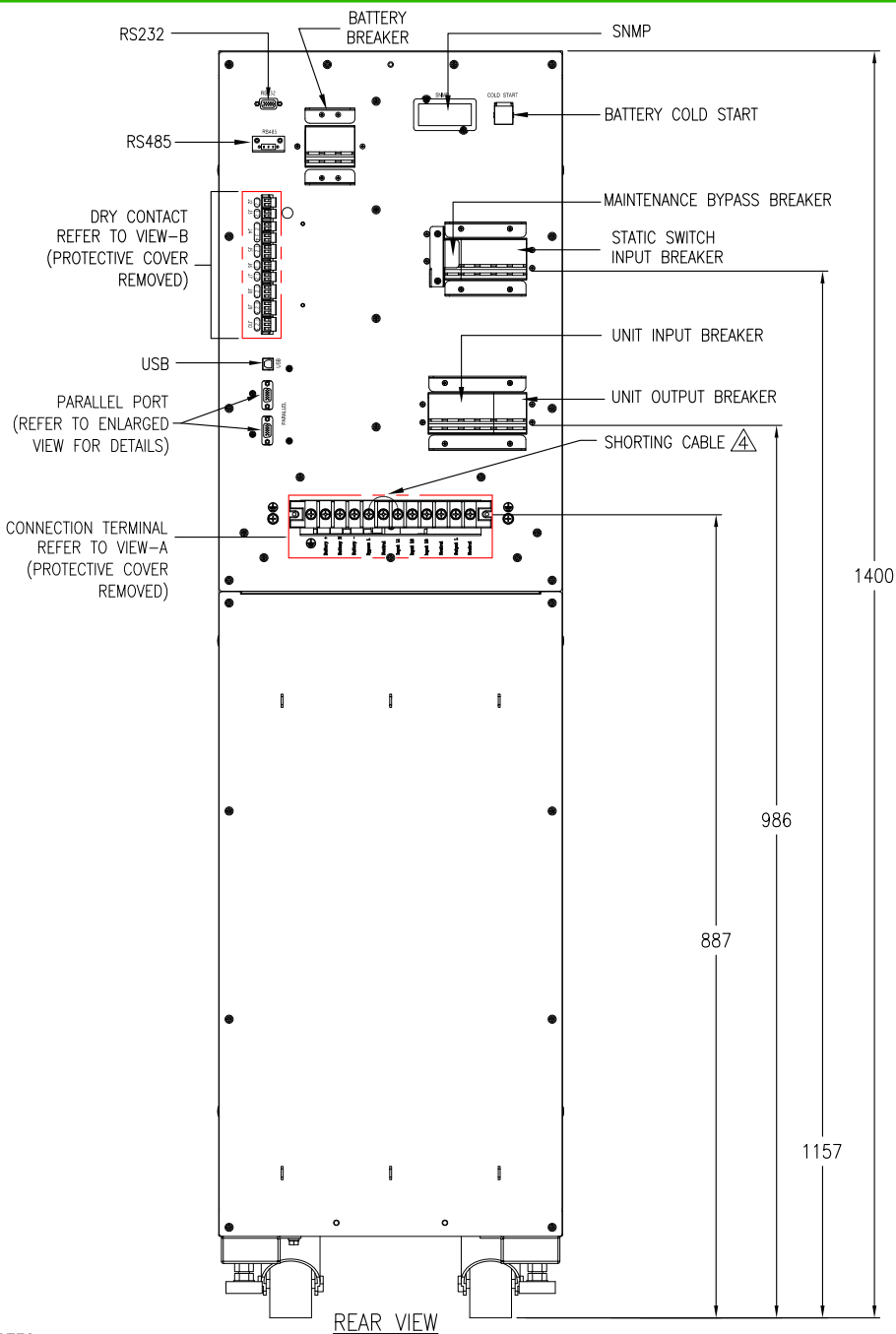
**Schneider
Electric**

TITLE:
10 - 15kVA, 400V, 3PH INPUT, 1PH OUTPUT
WITH INTERNAL BATTERIES
BOTTOM VIEWS

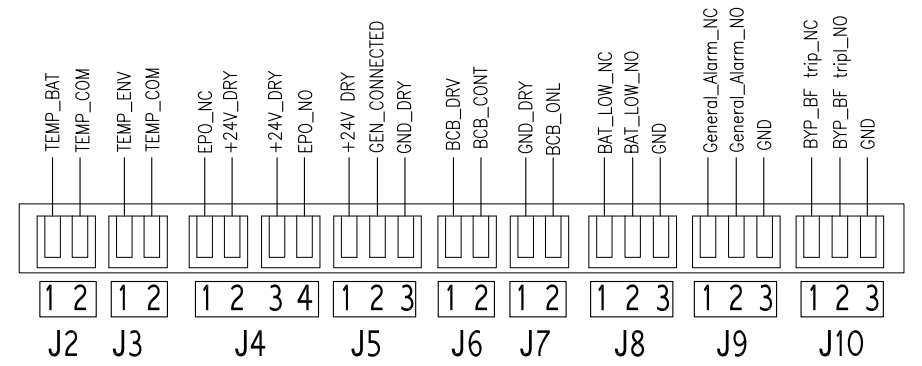
PROJECT: SUBMITTAL DRAWINGS SHEET 2 OF 6

DWG NO: E3SUPS10K3I15B

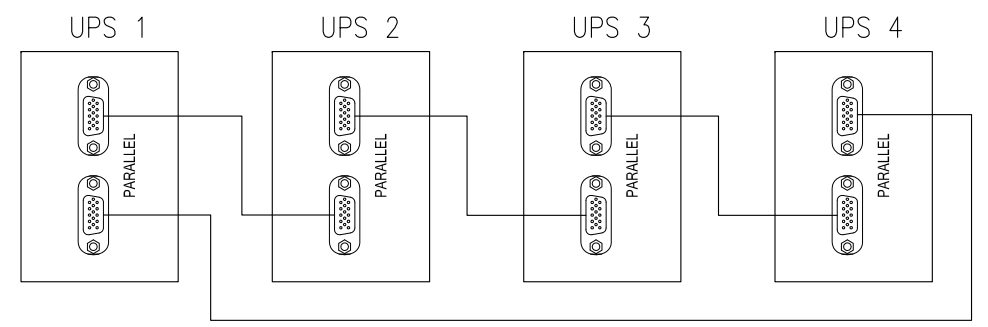
DRAWN: JAYAPRAKASH	27-AUG-18	FIRST ANGLE PROJECTION
ENGINEER: COMPBELL BAI	29-AUG-18	
APPROVED: FRANK ZHANG	29-AUG-18	



VIEW-A (ENLARGED)
CONNECTION TERMINALS



VIEW-B (ENLARGED)
DRY CONTACT INTERFACE (ENLARGED VIEW)



PARALLEL CONNECTION

- NOTES:
1. INSTALLATION SHALL COMPLY WITH ALL APPLICABLE NATIONAL AND LOCAL ELECTRICAL REGULATIONS.
 2. REFER TO PRODUCT DOCUMENTATION FOR ADDITIONAL DETAILS PRIOR TO INSTALLATION AND SITE PREPARATION WORK.
 3. ALL DIMENSIONS ARE IN MILLIMETERS UNLESS OTHERWISE SPECIFIED.
 - △ 4. FOR DUAL MAINS CONFIGURATION REMOVE THE SHORTING CABLE.
 5. UP TO 4 NUMBERS OF UPS CAN BE CONNECTED IN PARALLEL. MAXIMUM COMMUNICATION CABLE LENGTH IS 5 Meters.

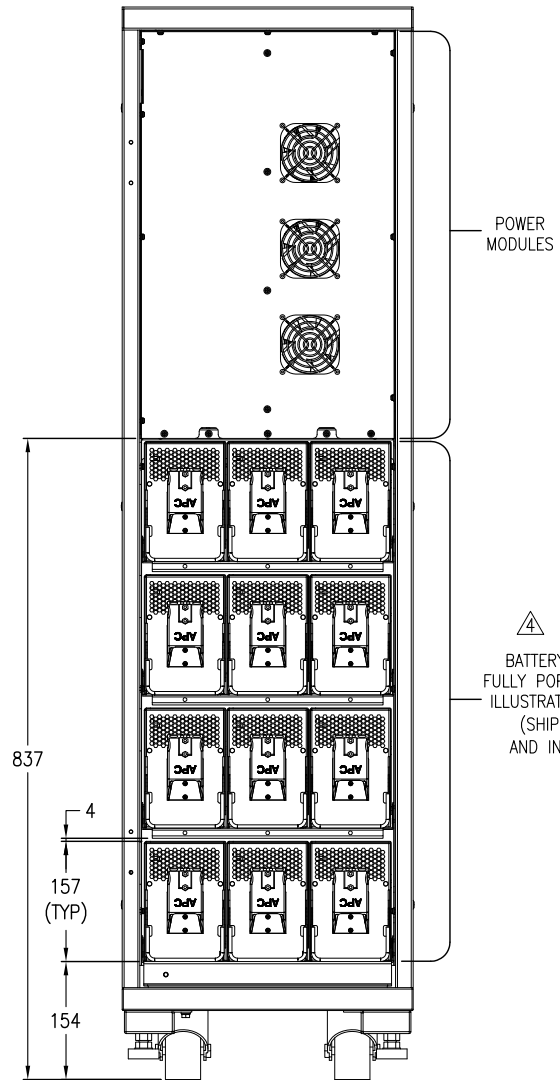
THIS DRAWING AND SPECIFICATIONS HEREIN ARE THE PROPERTY OF SCHNEIDER ELECTRIC AND SHALL NOT BE COPIED, REPRODUCED OR USED IN WHOLE OR IN PART, AS THE BASIS FOR THE MANUFACTURE OR SALE OF ITEMS WITHOUT WRITTEN PERMISSION FROM SCHNEIDER ELECTRIC. THIS DRAWING IS BASED UPON LATEST AVAILABLE INFORMATION AND IS SUBJECT TO CHANGE WITHOUT NOTICE.



TITLE:
EASY UPS 3S
10 - 15kVA, 400V, 3PH INPUT, 1PH OUTPUT
WITH INTERNAL BATTERIES
REAR VIEW AND DETAILS
PROJECT: SUBMITTAL DRAWINGS SHEET 3 OF 6

DWG NO: E3SUPS10K3I15B REV.
DRAWN: JAYAPRAKASH 27-AUG-18
ENGINEER: COMPELL BAI 29-AUG-18
APPROVED: FRANK ZHANG 29-AUG-18
FIRST ANGLE PROJECTION

10kVA

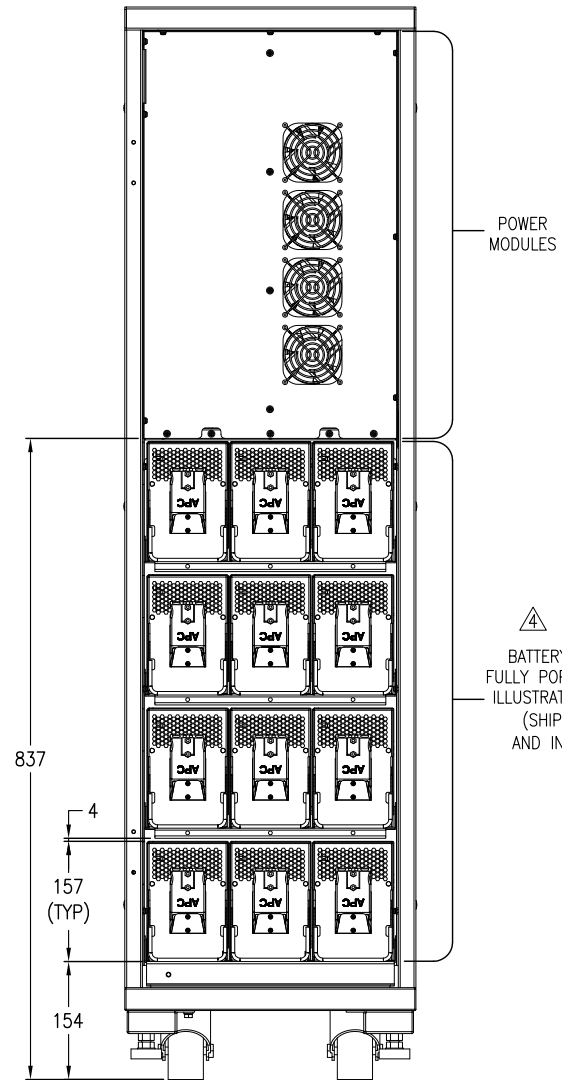


POWER
MODULES

⚠
BATTERY BLOCK (E3SBTU)
FULLY POPULATED. SHOWN FOR
ILLUSTRATION PURPOSE ONLY.
(SHIPPED SEPARATELY
AND INSTALLED ON SITE)

FRONT VIEW
(INTERNAL)

15kVA



POWER
MODULES

⚠
BATTERY BLOCK (E3SBTU)
FULLY POPULATED. SHOWN FOR
ILLUSTRATION PURPOSE ONLY.
(SHIPPED SEPARATELY
AND INSTALLED ON SITE)

FRONT VIEW
(INTERNAL)

- NOTES:
1. INSTALLATION SHALL COMPLY WITH ALL APPLICABLE NATIONAL AND LOCAL ELECTRICAL REGULATIONS.
 2. REFER TO PRODUCT DOCUMENTATION FOR ADDITIONAL DETAILS PRIOR TO INSTALLATION AND SITE PREPARATION WORK.
 3. ALL DIMENSIONS ARE IN MILLIMETERS UNLESS OTHERWISE SPECIFIED.
- △4. BATTERY BLOCK (E3SBTU) IS NOT PART OF THIS SKU.
INSTALL BATTERIES OF ONE STRING AT A TIME AND FROM BOTTOM TO TOP.
BATTERY STRINGS ARE VERTICAL. PLACE THE BATTERY STRING IN THE MIDDLE IF THERE IS ONLY ONE
AND PLACE THEM IN LEFT AND RIGHT SIDES IF THERE ARE TWO.

THIS DRAWING AND SPECIFICATIONS HEREIN ARE THE PROPERTY OF SCHNEIDER ELECTRIC AND SHALL NOT BE COPIED, REPRODUCED OR USED IN WHOLE OR IN PART, AS THE BASIS FOR THE MANUFACTURE OR SALE OF ITEMS WITHOUT WRITTEN PERMISSION FROM SCHNEIDER ELECTRIC. THIS DRAWING IS BASED UPON LATEST AVAILABLE INFORMATION AND IS SUBJECT TO CHANGE WITHOUT NOTICE.

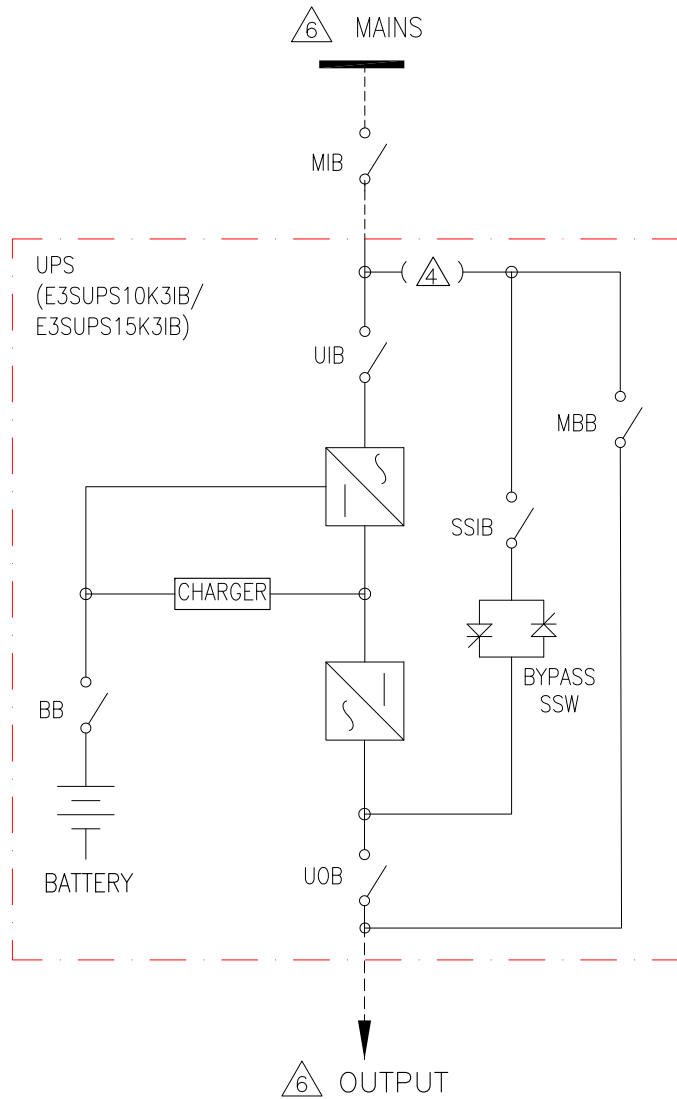


TITLE:
EASY UPS 3S
10 - 15kVA, 400V, 3PH INPUT, 1PH OUTPUT
WITH INTERNAL BATTERIES
INTERNAL VIEW

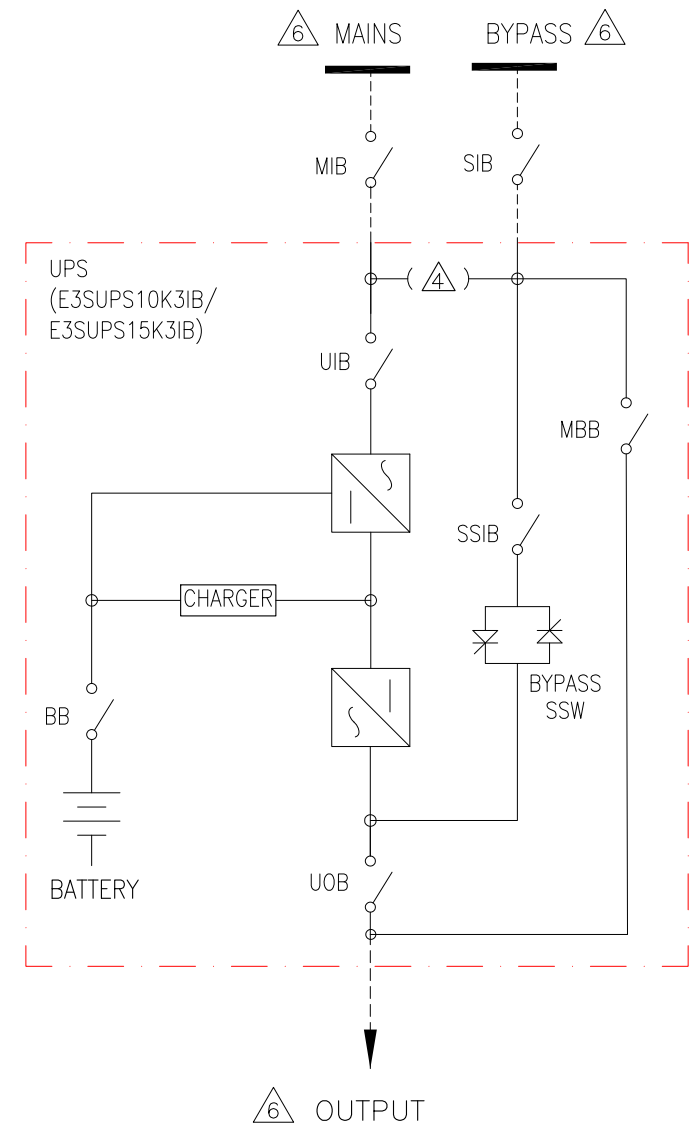
PROJECT: SUBMITTAL DRAWINGS SHEET 4 OF 6

DWG NO:	E3SUPS10K3I15B		REV:
DRAWN:	JAYAPRAKASH	27-AUG-18	FIRST ANGLE PROJECTION
ENGINEER:	COMPPELL BAI	29-AUG-18	
APPROVED:	FRANK ZHANG	29-AUG-18	

SINGLE MAINS CONFIGURATION



DUAL MAINS CONFIGURATION



LEGEND:

----- CABLE PROVIDED BY OTHERS

- NOTES:**
1. INSTALLATION SHALL COMPLY WITH ALL APPLICABLE NATIONAL AND LOCAL ELECTRICAL REGULATIONS.
 2. REFER TO PRODUCT DOCUMENTATION FOR ADDITIONAL DETAILS PRIOR TO INSTALLATION AND SITE PREPARATION WORK
 3. DRAWING DEPICTS POWER SYSTEM CONNECTIONS AND NOT IS NOT REPRESENTATIVE OF PHYSICAL LAYOUT.
 4. SINGLE MAINS CONFIGURATION IS DEFAULT.
FOR DUAL MAINS CONFIGURATION REMOVE THE 3 SHORTING STRAPS/WIRES.
 5. UP TO 4 UPS CAN BE CONNECTED IN PARALLEL.
 6. REFER TO SHEET-7 FOR ELECTRICAL DATA.
 7. CABLE LUGS ARE PROVIDED BY OTHERS.

THIS DRAWING AND SPECIFICATIONS HEREIN ARE THE PROPERTY OF SCHNEIDER ELECTRIC AND SHALL NOT BE COPIED, REPRODUCED OR USED IN WHOLE OR IN PART, AS THE BASIS FOR THE MANUFACTURE OR SALE OF ITEMS WITHOUT WRITTEN PERMISSION FROM SCHNEIDER ELECTRIC. THIS DRAWING IS BASED UPON LATEST AVAILABLE INFORMATION AND IS SUBJECT TO CHANGE WITHOUT NOTICE.

Schneider Electric

TITLE:
EASY UPS 3S
10 - 15kVA, 400V, 3PH INPUT, 1PH OUTPUT
WITH INTERNAL BATTERIES
SYSTEM ONE LINE DIAGRAM

PROJECT: SUBMITTAL DRAWINGS SHEET 5 OF 6

DWG NO: E3SUPS10K3I15B REV.

DRAWN: JAYAPRAKASH 27-AUG-18
ENGINEER: CAMPBELL BAI 29-AUG-18

APPROVED: FRANK ZHANG 29-AUG-18

FIRST ANGLE PROJECTION

ELECTRICAL DATA SHEET

UPS RATING	10kVA	15kVA
INPUT SPECIFICATIONS		
INPUT VOLTAGE (V)	380/400/415	
NOMINAL INPUT CURRENT (A)	16/15/15	24/23/22
MAXIMUM INPUT CURRENT (A)	19/18/18	29/28/26
INPUT CURRENT LIMITATION (A)	22/20/20	33/31/30
INPUT FREQUENCY (Hz)	45-65	
INPUT WIRING	L1, L2, L3, N, PE	
INPUT THDI	<4% FOR 10kVA, < 5% FOR 15-30kVA	
BYPASS SPECIFICATIONS		
BYPASS VOLTAGE (V)	220/230/240	
MINIMUM BYPASS VOLTAGE (V)	176/184/192	
MAXIMUM BYPASS VOLTAGE (V)	253/264/276	
NOMINAL BYPASS CURRENT (A)	46/43/42	69/66/63
BYPASS FREQUENCY (Hz)	50/60	
BYPASS WIRING	L, N, PE	
OUTPUT SPECIFICATIONS		
OUTPUT VOLTAGE (V)	220/230/240	
NOMINAL OUTPUT CURRENT (A)	46/43/42	69/66/63
OUTPUT FREQUENCY (Hz)	50/60	
OUTPUT WIRING	L, N, PE	
OUTPUT THDU	<3%@ 100% LINEAR LOAD, < 5.5%@ 100% NON-LINEAR LOAD	
BATTERY SPECIFICATIONS		
CHARGING POWER	PROGRAMMABLE FROM 1% TO 20% OF UPS CAPACITY. DEFAULT IS 10%	
MAXIMUM CHARGING POWER (W)	2000	3000
NOMINAL BATTERY VOLTAGE (VDC)	+/-240	
NOMINAL FLOAT VOLTAGE (VDC)	+/-270	
END OF DISCHARGE VOLTAGE (FULL LOAD) (VDC)	+/-198	
END OF DISCHARGE VOLTAGE (NO LOAD) (VDC)	+/-210	
BATTERY CURRENT AT FULL LOAD AND NOMINAL BATTERY VOLTAGE (A)	22	33
BATTERY CURRENT AT FULL LOAD AND MINIMUM BATTERY VOLTAGE (A)	27	40
RIPPLE CURRENT	<5% C10	
MAXIMUM SHORT CIRCUIT WITHSTAND	Icc=10kA	
RECOMMENDED CABLE SIZES		
INPUT CABLE SIZE SINGLE MAINS (mm ²)	16	25
INPUT CABLE SIZE DUAL MAINS (mm ²)	6	6
BYPASS CABLE SIZE (mm ²)	16	25
OUTPUT CABLE SIZE (mm ²)	16	25
PE CABLE SIZE (mm ²)	6	6

NOTES:

1. INSTALLATION SHALL COMPLY WITH ALL APPLICABLE NATIONAL AND LOCAL ELECTRICAL REGULATIONS.
2. REFER TO PRODUCT DOCUMENTATION FOR ADDITIONAL DETAILS PRIOR TO INSTALLATION AND SITE PREPARATION WORK.

THIS DRAWING AND SPECIFICATIONS HEREIN ARE THE PROPERTY OF SCHNEIDER ELECTRIC AND SHALL NOT BE COPIED, REPRODUCED OR USED IN WHOLE OR IN PART, AS THE BASIS FOR THE MANUFACTURE OR SALE OF ITEMS WITHOUT WRITTEN PERMISSION FROM SCHNEIDER ELECTRIC. THIS DRAWING IS BASED UPON LATEST AVAILABLE INFORMATION AND IS SUBJECT TO CHANGE WITHOUT NOTICE.



TITLE:
EASY UPS 3S
10 - 15kVA, 400V, 3PH INPUT, 1PH OUTPUT
WITH INTERNAL BATTERIES
ELECTRICAL DATA SHEET
PROJECT: SUBMITTAL DRAWINGS SHEET 6 OF 6

DWG NO:	E3SUPS10K3I15B	REV.	
DRAWN:	JAYAPRAKASH	27-AUG-18	FIRST ANGLE PROJECTION
ENGINEER:	COMPBELL BAI	29-AUG-18	
APPROVED:	FRANK ZHANG	29-AUG-18	