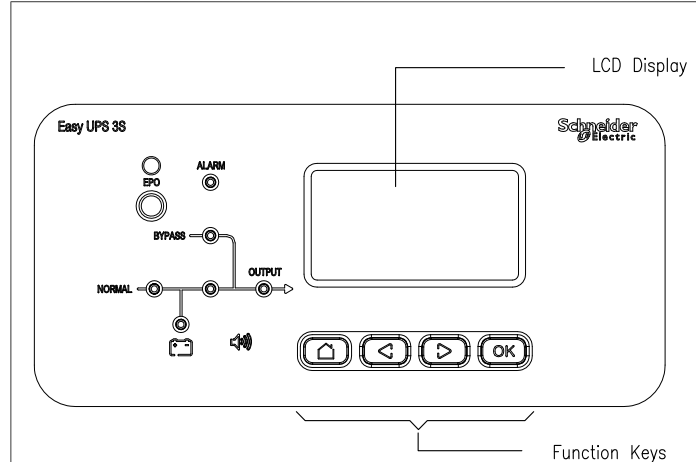


REFER TO ENLARGED VIEW  
PERFORATED DOOR

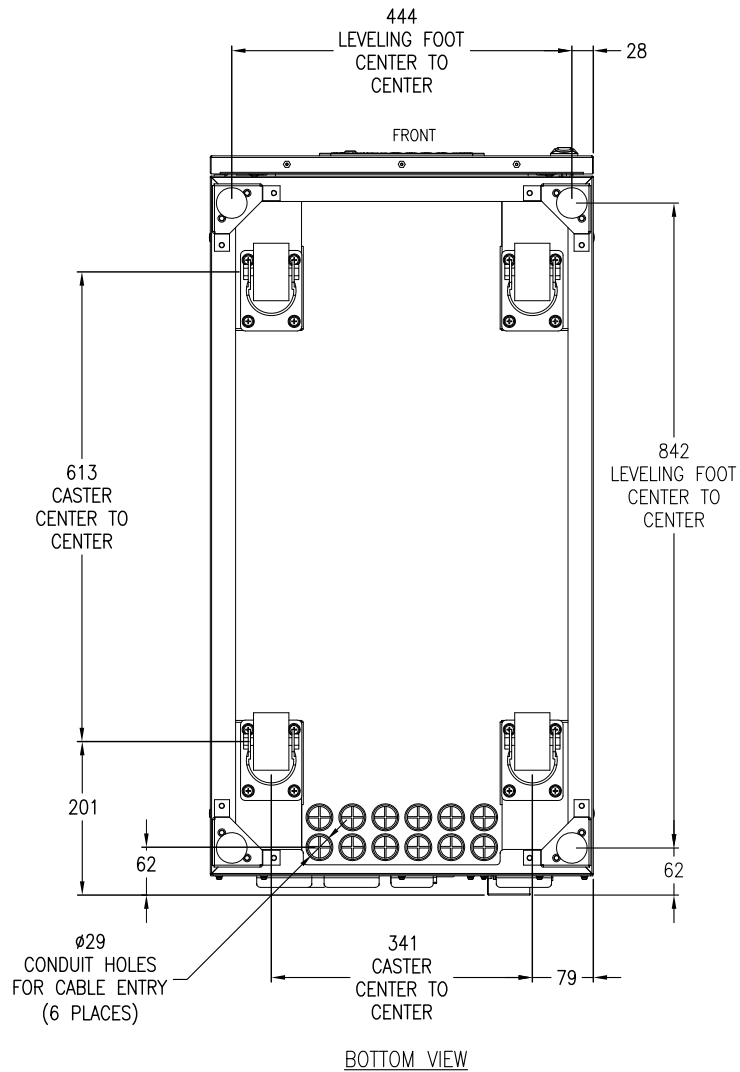
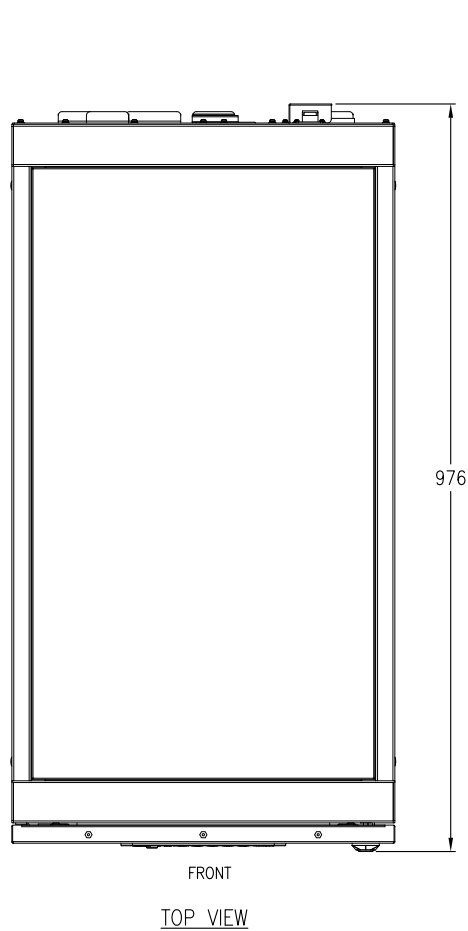


- NOTES:**
1. INSTALLATION SHALL COMPLY WITH ALL APPLICABLE NATIONAL AND LOCAL ELECTRICAL REGULATIONS.
  2. REFER TO PRODUCT DOCUMENTATION FOR ADDITIONAL DETAILS PRIOR TO INSTALLATION AND SITE PREPARATION WORK.
  3. ALL DIMENSIONS ARE IN MILLIMETERS UNLESS OTHERWISE SPECIFIED.
  4. NET WEIGHT OF THE UNIT WITHOUT BATTERY IS 152kg. NET WEIGHT OF 1 BATTERY UNIT IS 27kg.
  5. FRONT, REAR AND SIDE SERVICE/VENTILATION CLEARANCE REQUIRED.
  6. COLOR: RAL 9003.
  7. OPERATING TEMPERATURE: 0°C MIN. TO 40°C MAX.
  8. PROTECTION CLASS: IP20

THIS DRAWING AND SPECIFICATIONS HEREIN ARE THE PROPERTY OF SCHNEIDER ELECTRIC AND SHALL NOT BE COPIED, REPRODUCED OR USED IN WHOLE OR IN PART, AS THE BASIS FOR THE MANUFACTURE OR SALE OF ITEMS WITHOUT WRITTEN PERMISSION FROM SCHNEIDER ELECTRIC. THIS DRAWING IS BASED UPON LATEST AVAILABLE INFORMATION AND IS SUBJECT TO CHANGE WITHOUT NOTICE.



TITLE: Schneider Electric Easy UPS 3S CIA, HIGH TOWER 30kVA, 400V, 3PH WITH BATTERY MODULES GENERAL ARRANGEMENT		DWG NO: E3SUPS30KHB	REV:
PROJECT: SUBMITTAL DRAWINGS SHEET 1 OF 7		DRAWN: JAYAPRAKASH	13-FEB-18
		ENGINEER: COMPBELL BAI	20-MAR-18
		APPROVED: FRANK ZHANG	20-MAR-18
			FIRST ANGLE PROJECTION



- NOTES:**
1. INSTALLATION SHALL COMPLY WITH ALL APPLICABLE NATIONAL AND LOCAL ELECTRICAL REGULATIONS.
  2. REFER TO PRODUCT DOCUMENTATION FOR ADDITIONAL DETAILS PRIOR TO INSTALLATION AND SITE PREPARATION WORK.
  3. ALL DIMENSIONS ARE IN MILLIMETERS UNLESS OTHERWISE SPECIFIED.

THIS DRAWING AND SPECIFICATIONS HEREIN ARE THE PROPERTY OF SCHNEIDER ELECTRIC AND SHALL NOT BE COPIED, REPRODUCED OR USED IN WHOLE OR IN PART, AS THE BASIS FOR THE MANUFACTURE OR SALE OF ITEMS WITHOUT WRITTEN PERMISSION FROM SCHNEIDER ELECTRIC. THIS DRAWING IS BASED UPON LATEST AVAILABLE INFORMATION AND IS SUBJECT TO CHANGE WITHOUT NOTICE.



TITLE: Schneider Electric Easy UPS 3S  
CIA, HIGH TOWER  
30kVA, 400V, 3PH  
WITH BATTERY MODULES  
BOTTOM VIEWS

PROJECT: SUBMITTAL DRAWINGS SHEET 2 OF 7

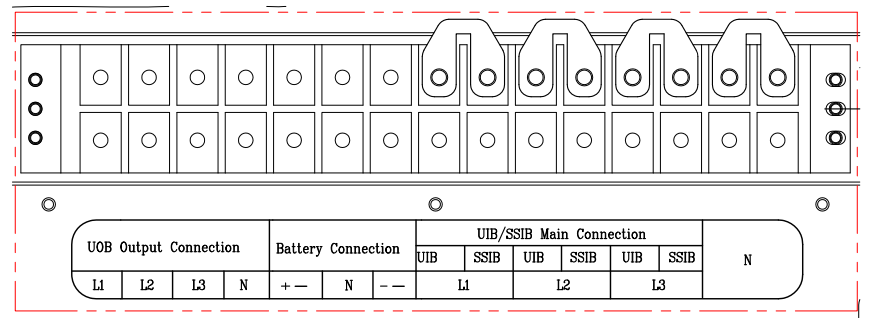
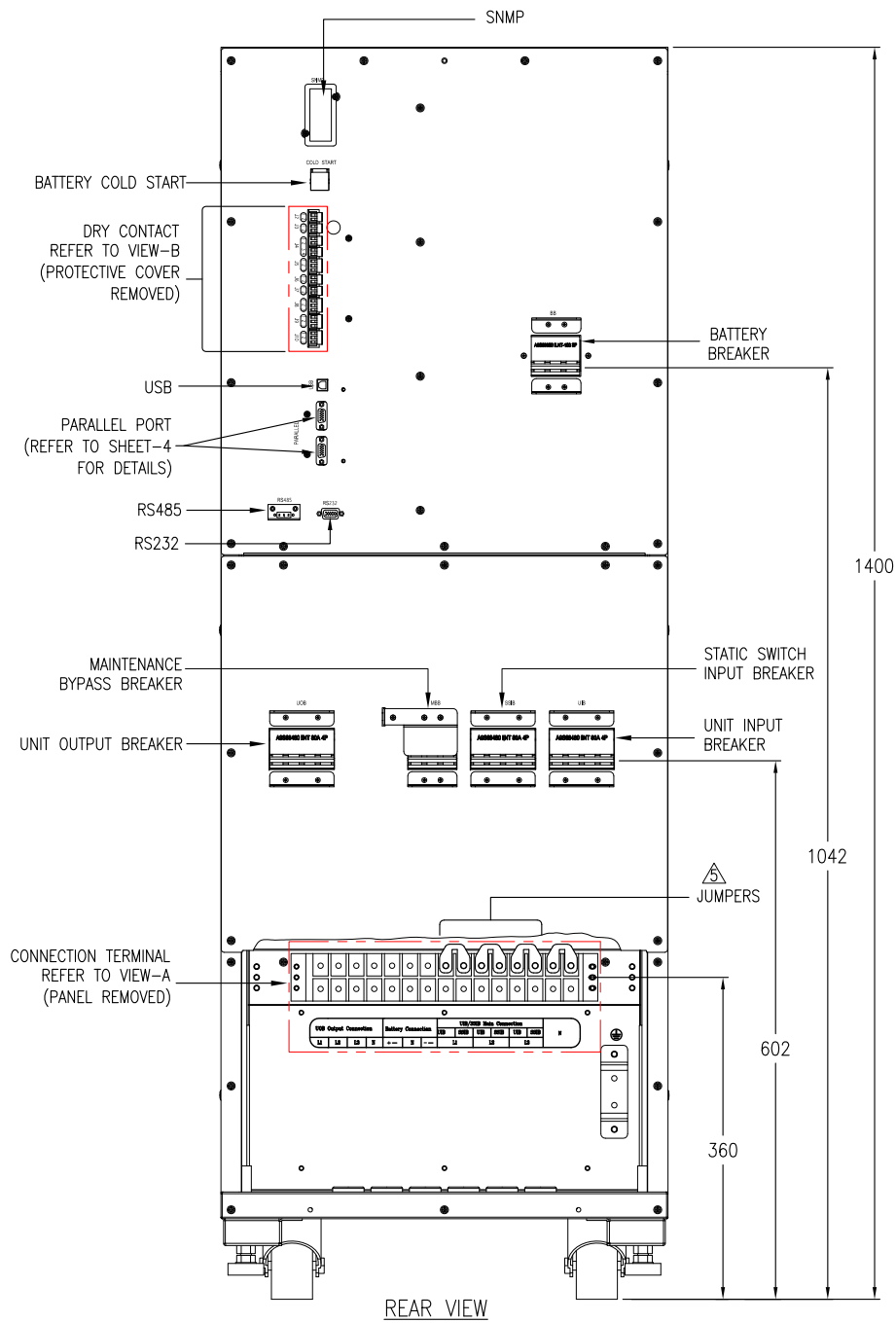
DWG NO: E3SUPS30KHB

DRAWN: JAYAPRAKASH 13-FEB-18

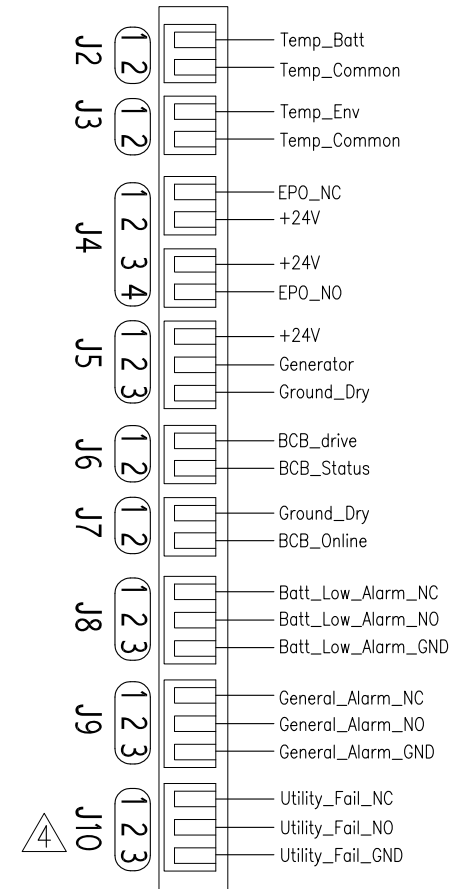
ENGINEER: COMPBELL BAI 20-MAR-18

APPROVED: FRANK ZHANG 20-MAR-18

REV.  
FIRST ANGLE PROJECTION



VIEW-A (ENLARGED)  
CONNECTION TERMINALS



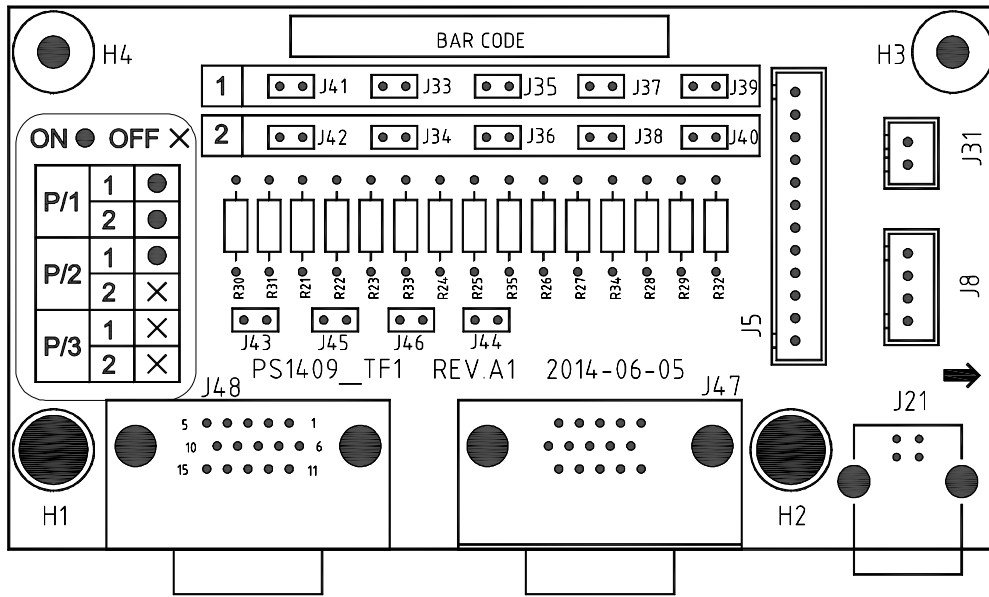
VIEW-B (ENLARGED)  
DRY CONTACT INTERFACE (ENLARGED VIEW)

- NOTES:
- INSTALLATION SHALL COMPLY WITH ALL APPLICABLE NATIONAL AND LOCAL ELECTRICAL REGULATIONS.
  - REFER TO PRODUCT DOCUMENTATION FOR ADDITIONAL DETAILS PRIOR TO INSTALLATION AND SITE PREPARATION WORK.
  - ALL DIMENSIONS ARE IN MILLIMETERS UNLESS OTHERWISE SPECIFIED.
  - J10 IS RESERVED FOR EXTERNAL BACKFEED PROTECTION.
  - SINGLE MAINS CONFIGURATION IS DEFAULT. REMOVE JUMPERS OF L1, L2 & L3 FOR DUAL MAINS.

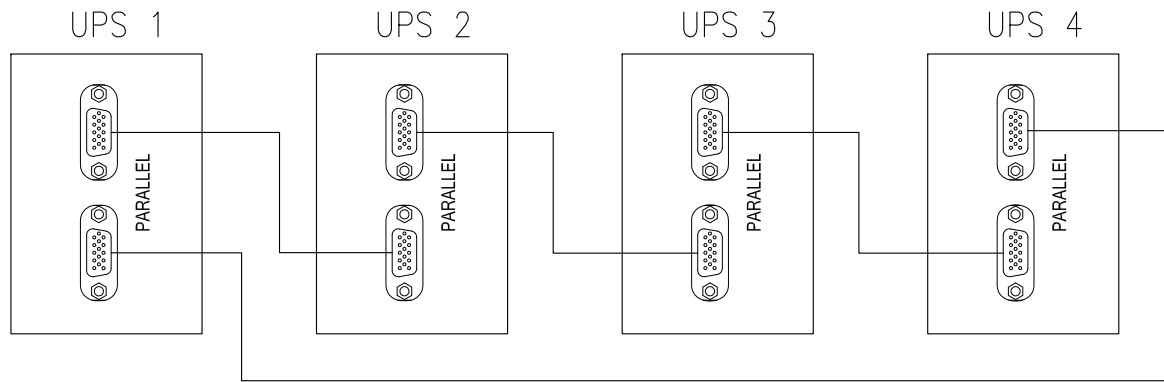
THIS DRAWING AND SPECIFICATIONS HEREIN ARE THE PROPERTY OF SCHNEIDER ELECTRIC AND SHALL NOT BE COPIED, REPRODUCED OR USED IN WHOLE OR IN PART, AS THE BASIS FOR THE MANUFACTURE OR SALE OF ITEMS WITHOUT WRITTEN PERMISSION FROM SCHNEIDER ELECTRIC. THIS DRAWING IS BASED UPON LATEST AVAILABLE INFORMATION AND IS SUBJECT TO CHANGE WITHOUT NOTICE.



TITLE: Schneider Electric Easy UPS 3S CLA, HIGH TOWER 30kVA, 400V, 3PH WITH BATTERY MODULES REAR VIEW AND DETAILS	DWG NO: E3SUPS30KHB	REV:
PROJECT: SUBMITTAL DRAWINGS SHEET 3 OF 7	DRAWN: JAYAPRAKASH	13-FEB-18
	ENGINEER: COMPBELL BAI	20-MAR-18
	APPROVED: FRANK ZHANG	20-MAR-18
		FIRST ANGLE PROJECTION



5 PARALLEL BOARD



PARALLEL CONNECTION

- NOTES:
1. INSTALLATION SHALL COMPLY WITH ALL APPLICABLE NATIONAL AND LOCAL ELECTRICAL REGULATIONS.
  2. REFER TO PRODUCT DOCUMENTATION FOR ADDITIONAL DETAILS PRIOR TO INSTALLATION AND SITE PREPARATION WORK.
  3. ALL DIMENSIONS ARE IN MILLIMETERS UNLESS OTHERWISE SPECIFIED.
  4. UP TO 4 NUMBERS OF UPS CAN BE CONNECTED IN PARALLEL. MAXIMUM COMMUNICATION CABLE LENGTH IS 5 Meters.
- △ 5. PARALLEL BOARD SETTINGS:
- REMOVE JUMPERS FROM THE PARALLEL BOARD ACCORDING TO YOUR SYSTEM:
- a. IN PARALLEL SYSTEM WITH TWO UPSs, REMOVE JUMPERS FROM J34, J36, J38, J40 AND 42 ON BOTH BOARDS
  - b. IN PARALLEL SYSTEM WITH THREE AND FOUR UPSs, REMOVE ALL JUMPERS.

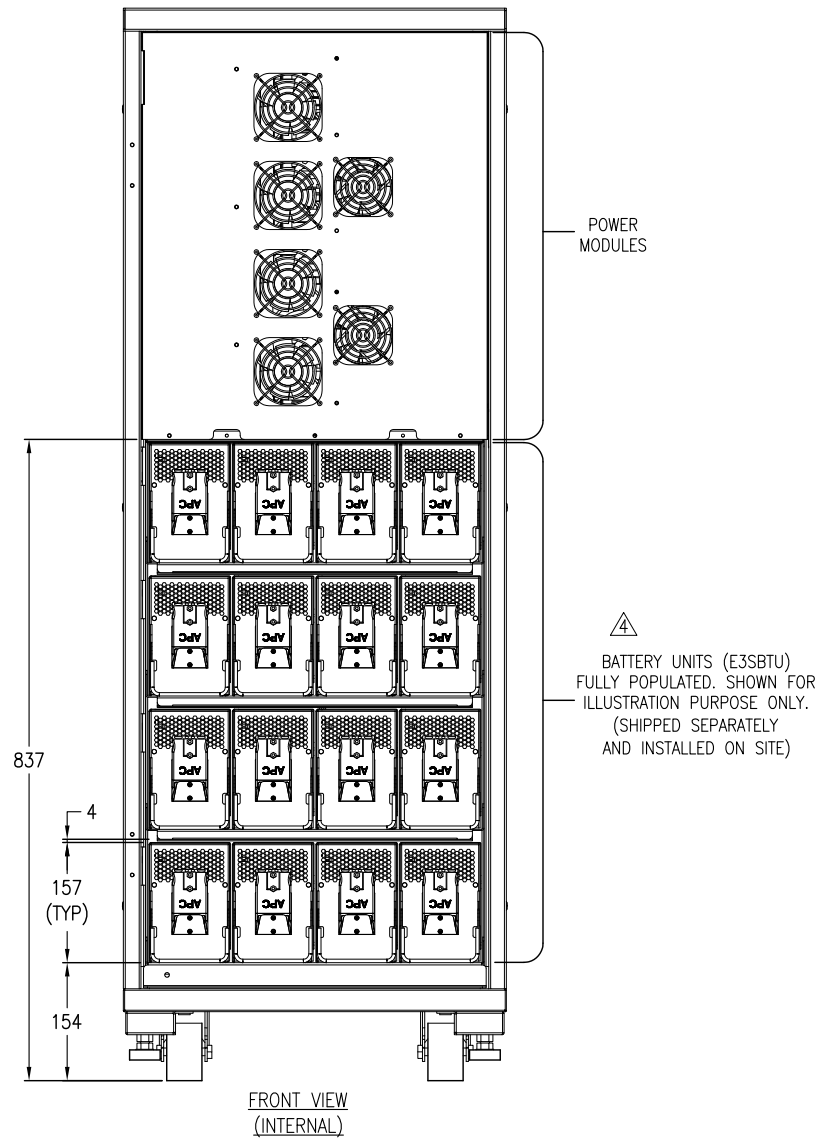
THIS DRAWING AND SPECIFICATIONS HEREIN ARE THE PROPERTY OF SCHNEIDER ELECTRIC AND SHALL NOT BE COPIED, REPRODUCED OR USED IN WHOLE OR IN PART, AS THE BASIS FOR THE MANUFACTURE OR SALE OF ITEMS WITHOUT WRITTEN PERMISSION FROM SCHNEIDER ELECTRIC. THIS DRAWING IS BASED UPON LATEST AVAILABLE INFORMATION AND IS SUBJECT TO CHANGE WITHOUT NOTICE.



TITLE: Schneider Electric Easy UPS 3S  
CIA, HIGH TOWER  
30KVA, 400V, 3PH  
WITH BATTERY MODULES  
PARALLEL CONNECTION

PROJECT: SUBMITTAL DRAWINGS SHEET 4 OF 7

DWG NO:	E3SUPS30KHB		REV.
DRAWN:	JAYAPRAKASH	13-FEB-18	FIRST ANGLE PROJECTION
ENGINEER:	COMPBELL BAI	20-MAR-18	
APPROVED:	FRANK ZHANG	20-MAR-18	



**NOTES:**

1. INSTALLATION SHALL COMPLY WITH ALL APPLICABLE NATIONAL AND LOCAL ELECTRICAL REGULATIONS.
2. REFER TO PRODUCT DOCUMENTATION FOR ADDITIONAL DETAILS PRIOR TO INSTALLATION AND SITE PREPARATION WORK.
3. ALL DIMENSIONS ARE IN MILLIMETERS UNLESS OTHERWISE SPECIFIED.
- △4. BATTERY UNIT (E3SBTU) IS NOT PART OF THIS SKU.

THIS DRAWING AND SPECIFICATIONS HEREIN ARE THE PROPERTY OF SCHNEIDER ELECTRIC AND SHALL NOT BE COPIED, REPRODUCED OR USED IN WHOLE OR IN PART, AS THE BASIS FOR THE MANUFACTURE OR SALE OF ITEMS WITHOUT WRITTEN PERMISSION FROM SCHNEIDER ELECTRIC. THIS DRAWING IS BASED UPON LATEST AVAILABLE INFORMATION AND IS SUBJECT TO CHANGE WITHOUT NOTICE.



TITLE: Schneider Electric Easy UPS 3S  
CIA, HIGH TOWER  
30kVA, 400V, 3PH  
WITH BATTERY MODULES  
INTERNAL VIEW

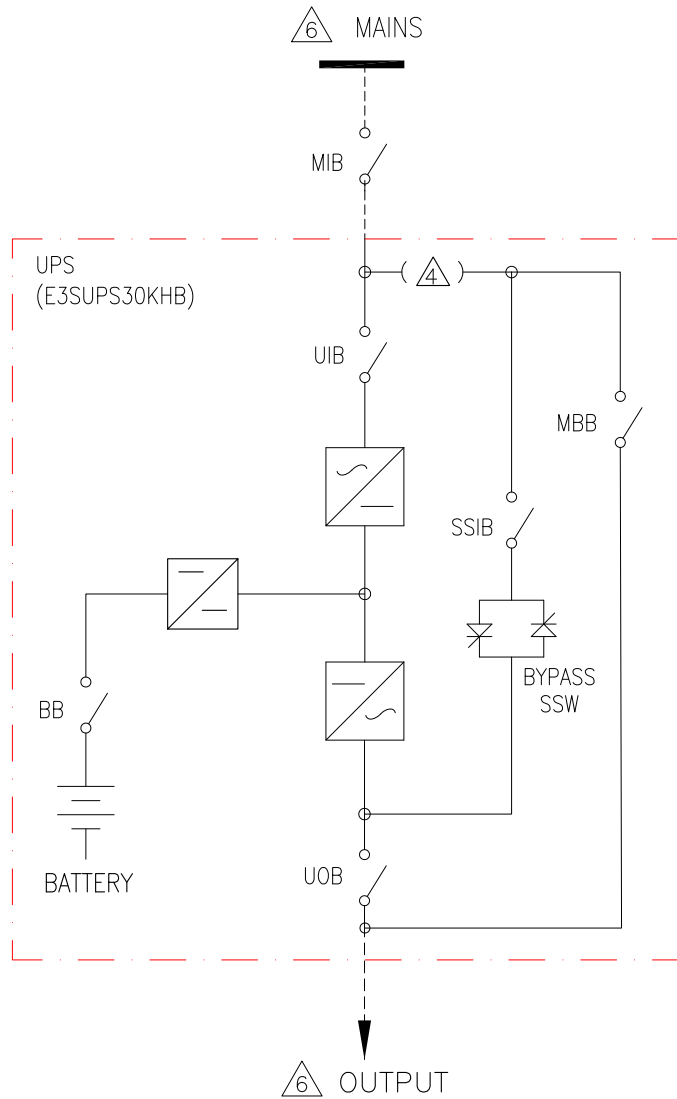
DWG NO: E3SUPS30KHB REV.

DRAWN:	JAYAPRAKASH	13-FEB-18	FIRST ANGLE PROJECTION
ENGINEER:	COMPBELL BAI	20-MAR-18	

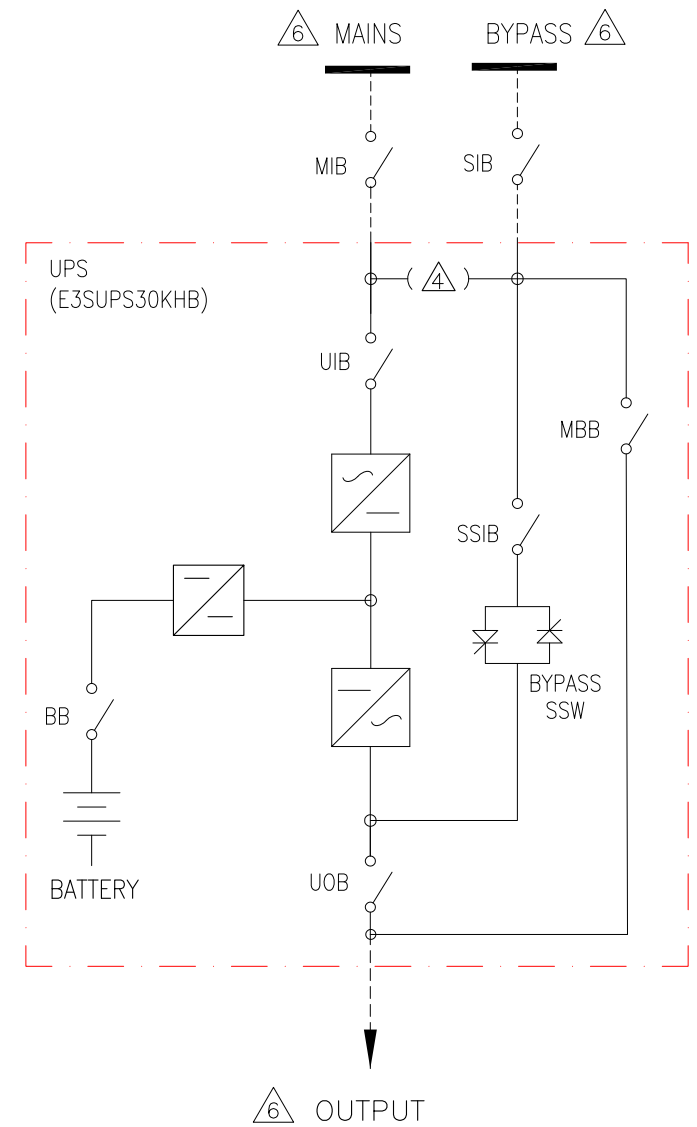
PROJECT: SUBMITTAL DRAWINGS SHEET 5 OF 7

APPROVED:	FRANK ZHANG	20-MAR-18
-----------	-------------	-----------

# SINGLE MAINS CONFIGURATION



# DUAL MAINS CONFIGURATION



## LEGEND:

----- CABLE PROVIDED BY OTHERS

- NOTES:**
1. INSTALLATION SHALL COMPLY WITH ALL APPLICABLE NATIONAL AND LOCAL ELECTRICAL REGULATIONS.
  2. REFER TO PRODUCT DOCUMENTATION FOR ADDITIONAL DETAILS PRIOR TO INSTALLATION AND SITE PREPARATION WORK
  3. DRAWING DEPICTS POWER SYSTEM CONNECTIONS AND NOT IS NOT REPRESENTATIVE OF PHYSICAL LAYOUT.
  4. SINGLE MAINS CONFIGURATION IS DEFAULT.  
FOR DUAL MAINS CONFIGURATION REMOVE THE 3 SHORTING STRAPS/WIRES.
  5. UP TO 4 UPS CAN BE CONNECTED IN PARALLEL.
  6. REFER TO SHEET-7 FOR ELECTRICAL DATA.
  7. CABLE LUGS ARE PROVIDED BY OTHERS.

THIS DRAWING AND SPECIFICATIONS HEREIN ARE THE PROPERTY OF SCHNEIDER ELECTRIC AND SHALL NOT BE COPIED, REPRODUCED OR USED IN WHOLE OR IN PART, AS THE BASIS FOR THE MANUFACTURE OR SALE OF ITEMS WITHOUT WRITTEN PERMISSION FROM SCHNEIDER ELECTRIC. THIS DRAWING IS BASED UPON LATEST AVAILABLE INFORMATION AND IS SUBJECT TO CHANGE WITHOUT NOTICE.

**Schneider Electric**

TITLE: Schneider Electric Easy UPS 3S  
CLA, HIGH TOWER  
30kVA, 400V, 3PH  
WITH BATTERY MODULES  
SYSTEM ONELINE DIAGRAM

DWG NO: E3SUPS30KHB

DRAWN: JAYAPRAKASH 13-FEB-18  
ENGINEER: COMPBELL BAI 20-MAR-18

PROJECT: SUBMITTAL DRAWINGS SHEET 6 OF 7

APPROVED: FRANK ZHANG 20-MAR-18

REV. FIRST ANGLE PROJECTION

ELECTRICAL DATA SHEET	
UPS RATING	30kVA
<b>INPUT SPECIFICATIONS</b>	
INPUT VOLTAGE	380V/400V/415V
NOMINAL INPUT CURRENT (A)	48/46/44
MAXIMUM INPUT CURRENT (A)	58/55/53
INPUT CURRENT LIMITATION (A)	65/63/60
INPUT FREQUENCY	45-65Hz
INPUT WIRING	3P+N+PE
INPUT THDI	< 3%@ 10kVA, < 4%@ 15-40kVA
<b>BYPASS SPECIFICATIONS</b>	
BYPASS VOLTAGE	380V/400V/415V
MINIMUM BYPASS VOLTAGE	304/320/332
MAXIMUM BYPASS VOLTAGE	437/460/477
NOMINAL BYPASS CURRENT (A)	46/43/42
BYPASS FREQUENCY	50/60Hz
BYPASS WIRING	3P+N+PE
<b>OUTPUT SPECIFICATIONS</b>	
OUTPUT VOLTAGE	380V/400V/415V
NOMINAL OUTPUT CURRENT (A)	46/43/42
OUTPUT FREQUENCY	50/60Hz
OUTPUT WIRING	3P+N+PE
OUTPUT THDU	<3%@ 100% LINEAR LOAD, < 5.5%@ 100% NON-LINEAR LOAD
<b>BATTERY SPECIFICATIONS</b>	
CHARGING POWER	PROGRAMMABLE FROM 1% TO 20% OF UPS CAPACITY. DEFAULT IS 10%
MAXIMUM CHARGING POWER (W)	6000
NOMINAL BATTERY VOLTAGE (VDC)	+/-240
NOMINAL FLOAT VOLTAGE (VDC)	+/-270
END OF DISCHARGE VOLTAGE (FULL LOAD) (VDC)	+/-198
BATTERY CURRENT AT FULL LOAD AND NOMINAL BATTERY VOLTAGE (A)	66
BATTERY CURRENT AT FULL LOAD AND MINIMUM BATTERY VOLTAGE (A)	81
RIPPLE CURRENT	<5% C10
MAXIMUM SHORT CIRCUIT WITHSTAND	Icc=10kA
<b>RECOMMENDED CABLE SIZES</b>	
INPUT CABLE SIZE (mm2)	16
BYPASS CABLE SIZE (mm2)	16
OUTPUT CABLE SIZE (mm2)	16
BATTERY INPUT CABLE SIZE (mm2)	25
PE CABLE SIZE (mm2)	16

**NOTES:**

1. INSTALLATION SHALL COMPLY WITH ALL APPLICABLE NATIONAL AND LOCAL ELECTRICAL REGULATIONS.
2. REFER TO PRODUCT DOCUMENTATION FOR ADDITIONAL DETAILS PRIOR TO INSTALLATION AND SITE PREPARATION WORK.

THIS DRAWING AND SPECIFICATIONS HEREIN ARE THE PROPERTY OF SCHNEIDER ELECTRIC AND SHALL NOT BE COPIED, REPRODUCED OR USED IN WHOLE OR IN PART, AS THE BASIS FOR THE MANUFACTURE OR SALE OF ITEMS WITHOUT WRITTEN PERMISSION FROM SCHNEIDER ELECTRIC. THIS DRAWING IS BASED UPON LATEST AVAILABLE INFORMATION AND IS SUBJECT TO CHANGE WITHOUT NOTICE.



TITLE: Schneider Electric Easy UPS 3S  
 CLA, HIGH TOWER  
 30kVA, 400V, 3PH  
 WITH BATTERY MODULES  
 ELECTRICAL DATA SHEET

DWG NO: E3SUPS30KHB REV.

DRAWN: JAYAPRAKASH	13-FEB-18	FIRST ANGLE
ENGINEER: COMPBELL BAI	20-MAR-18	PROJECTION

PROJECT: SUBMITTAL DRAWINGS	SHEET 7 OF 7	APPROVED: FRANK ZHANG	20-MAR-18
-----------------------------	--------------	-----------------------	-----------