

SYMMETRA PX 100 UPS with Battery and MBP Package.

Sheet No.	Component /Detail	Description
1	Drawing Guide	SYMMETRA PX 100, 100kVA 208V - 208V, Top and Bottom Feed, Drawing guide
2	System General Arrangement	SYMMETRA PX 100, 100kVA 208V - 208V, Top and Bottom Feed, System General Arrangement
3	System Top View	SYMMETRA PX 100, 100kVA 208V - 208V, Top and Bottom Feed, System Top View
4	System Bottom View	SYMMETRA PX 100, 100kVA 208V - 208V, Top and Bottom Feed, System Bottom View
5	System Anchoring	SYMMETRA PX 100, 100kVA 208V - 208V, Top and Bottom Feed, System Anchoring
6	System Installation	SYMMETRA PX 100, 100kVA 208V - 208V, Top and Bottom Feed, System Installation
7	Site Planning Data	SYMMETRA PX 100, 100kVA 208V - 208V, Top and Bottom Feed, Site Planning Data

THIS DRAWING AND SPECIFICATIONS HEREIN ARE THE PROPERTY OF SCHNEIDER ELECTRIC AND SHALL NOT BE COPIED, REPRODUCED OR USED IN WHOLE OR IN PART, AS THE BASIS FOR THE MANUFACTURE OR SALE OF ITEMS WITHOUT WRITTEN PERMISSION FROM SCHNEIDER ELECTRIC. THIS DRAWING IS BASED UPON LATEST AVAILABLE INFORMATION AND IS SUBJECT TO CHANGE WITHOUT NOTICE.



TITLE: SYMMETRA PX
SYMMETRA PX 100kW WITH BATTERY AND MBP
Input: 208V, 3PH
Output: 208V, 100kW, 3PH, TOP AND BOTTOM FEED
DRAWING GUIDE

PROJECT: DRAWINGS **SHEET** 1 OF 7

DWG NO: SY100K100FTBMBP

DRAWN BY: JAYAPRAKASH 29-JUN-17

ENGINEER: K.S./C.F.P./J.S 29-JUN-17

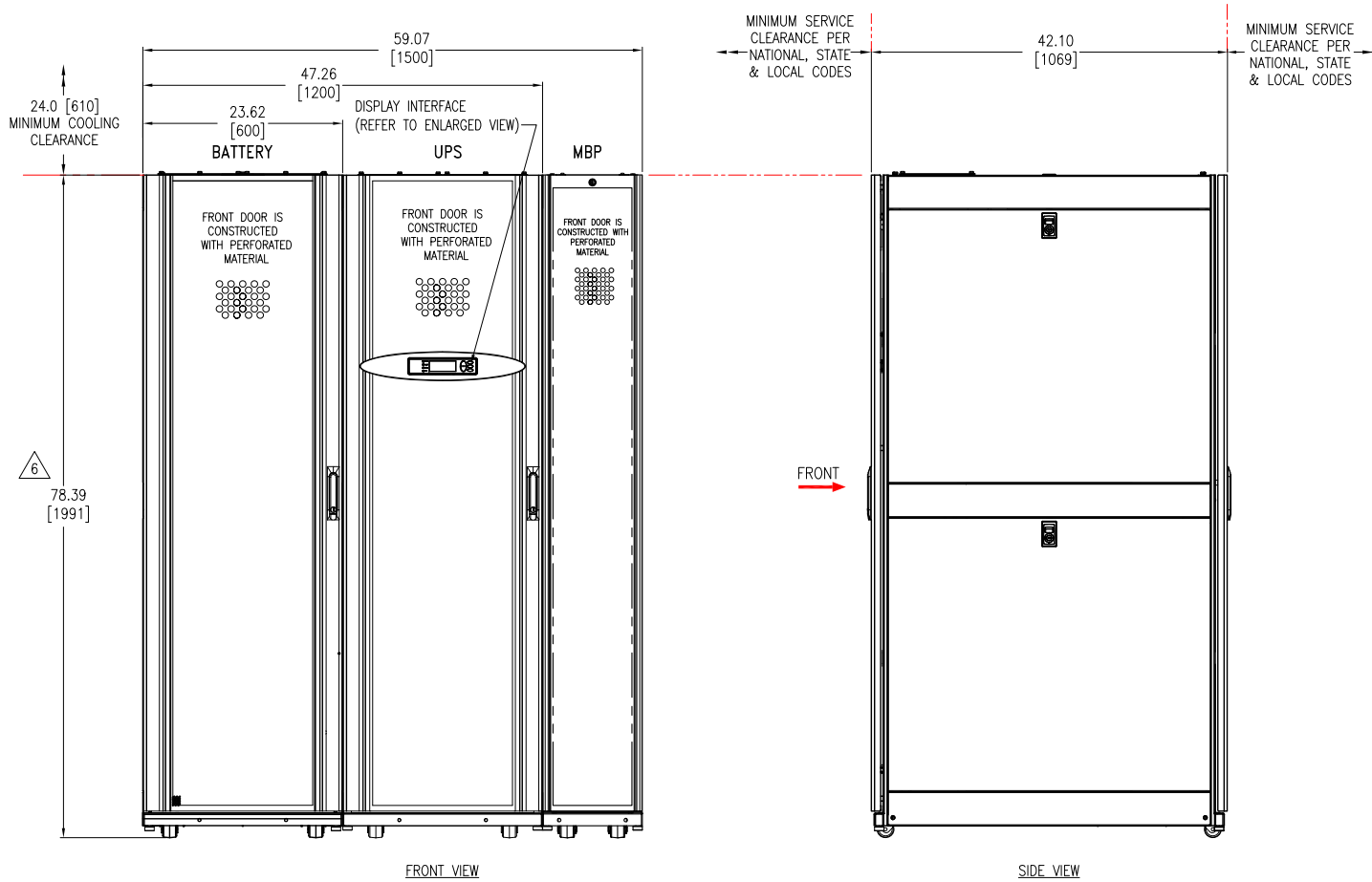
APPROVED BY: ESPINOSA/MALI ASLE 29-JUN-17

REV. 1

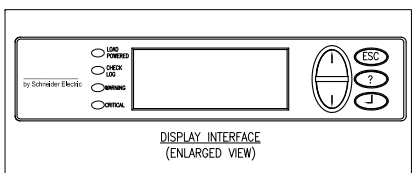
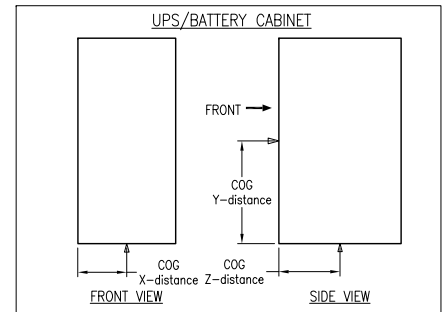
THIRD

ANGLE

PROJECTION



- NOTES:**
- INSTALLATION SHALL COMPLY WITH ALL APPLICABLE NATIONAL, STATE AND LOCAL CODES.
 - PLEASE REFER TO PRODUCT MANUALS PRIOR TO INSTALLATION AND SITE PREPARATION WORK FOR FURTHER DETAILS .
 - UNLESS OTHERWISE SPECIFIED, ALL DIMENSIONS ARE IN INCHES [MILLIMETERS].
 - CABLE ENTRY DETAILS:
MBP – TOP OR BOTTOM OF THE UNIT.
THE MBP WILL SHIP WITH A FACTORY-INSTALLED KIT (OH-0991 OR OH-0992), THAT WILL ALLOW THE MBP AND PDU TO BE BAYED ON THE LEFT OR RIGHT SIDE OF THE UPS. REFER TO SHEET NO. 6 FOR MORE DETAIL.
 - MINIMUM RECOMMENDED FRONT CLEARANCE IS 42 [1067] AND REAR CLEARANCE IS 36 [915].
 - MAXIMUM HEIGHT OF THE UNIT INCLUDES TOP PROTRUSIONS AND CAPTIVE FASTENERS.
 - OPERATING TEMPERATURE: 32–104°F [0–40°C]
 - COLOUR: BLACK
 - THIS INFORMATION PROVIDES APPROXIMATE CENTER OF GRAVITY CALCULATION.
 - MBP CTO CABLES EXIT RIGHT OF 84P KIT NUMBER IS OH-0992 (OPTIONAL)



9

CENTER OF GRAVITY AND WEIGHT FOR UPS POWER FRAME

UPS Rating	No. of Power Modules	Weight in lb [kg]	Center of Gravity with Power Modules in Inches [mm]			Center of Gravity without Power Modules in Inches [mm]		
			X-Distance	Y-Distance	Z-Distance	X-Distance	Y-Distance	Z-Distance
100kW	10	1302 [591]	11.57 [294]	42.76 [1086]	17.52 [445]	11.38 [289]	38.11 [968]	20.39 [518]
90kW	9	1247 [566]	11.57 [294]	41.38 [1051]	17.68 [449]			
80kW	8	1192 [541]	11.54 [293]	40.16 [1020]	17.87 [454]			
70kW	7	1137 [516]	11.54 [293]	39.09 [993]	18.07 [459]			
60kW	6	1082 [491]	11.54 [293]	38.15 [969]	18.31 [465]			
50kW	5	1027 [466]	11.50 [292]	37.48 [952]	18.54 [471]			
40kW	4	972 [441]	11.50 [292]	36.93 [938]	18.86 [479]			
30kW	3	917 [416]	11.46 [291]	36.69 [932]	19.17 [487]			
20kW	2	862 [391]	11.46 [291]	36.73 [933]	19.53 [496]			
10kW	1	807 [366]	11.42 [290]	37.20 [945]	19.92 [506]			

CENTER OF GRAVITY FOR BATTERY CABINET

Battery Cabinet	Center of Gravity in Inches [mm]		
	X-Distance	Y-Distance	Z-Distance
With Batteries	11.71 [297.5]	43.58 [1107]	16.53 [419.9]
Without Batteries	11.79 [299.5]	40.29 [1023.6]	21.48 [545.5]

REFER TO FOLLOWING SUBMITTAL DOCUMENTS FOR ADDITIONAL DETAILS

SKU NUMBER	DESCRIPTION
SY100K100F	Symmetra PX100 kW, Scalable to 100kW, 208V
SYCFXR9-9	Symmetra PX 96, 100 and 160kW, Battery Cabinet
SYMBP100F	Symmetra PX100 Maintenance Bypass Panel, 208V, Floormount

Floor Loading Data

SKU #	Dimensions HxWxD in Inches [mm]	Weight in lb [kg]	Floor Loading in lb/ft ² [kg/m ²]
SY100K100F (UPS Cabinet)	79.17x23.62x42.13 [2011x600x1070]	1309 [595]	190 [930]
SYCFXR9-9 (Batt. Cabinet)	78.39x23.62x42.13 [1991x600x1070]	2660 [1209]	386 [1883]
SYMBP (MBP)	78.43x11.81x42.13 [1992x300x1070]	371 [169]	107 [526]

THIS DRAWING AND SPECIFICATIONS HEREIN ARE THE PROPERTY OF SCHNEIDER ELECTRIC AND SHALL NOT BE COPIED, REPRODUCED OR USED IN WHOLE OR IN PART, AS THE BASIS FOR THE MANUFACTURE OR SALE OF ITEMS WITHOUT WRITTEN PERMISSION FROM SCHNEIDER ELECTRIC. THIS DRAWING IS BASED UPON LATEST AVAILABLE INFORMATION AND IS SUBJECT TO CHANGE WITHOUT NOTICE.



TITLE: SYMMETRA PX 100kW WITH BATTERY AND MBP
 Input: 208V, 3PH
 Output: 208V, 100kW, 3PH, TOP AND BOTTOM FEED
 SYSTEM GENERAL ARRANGEMENT

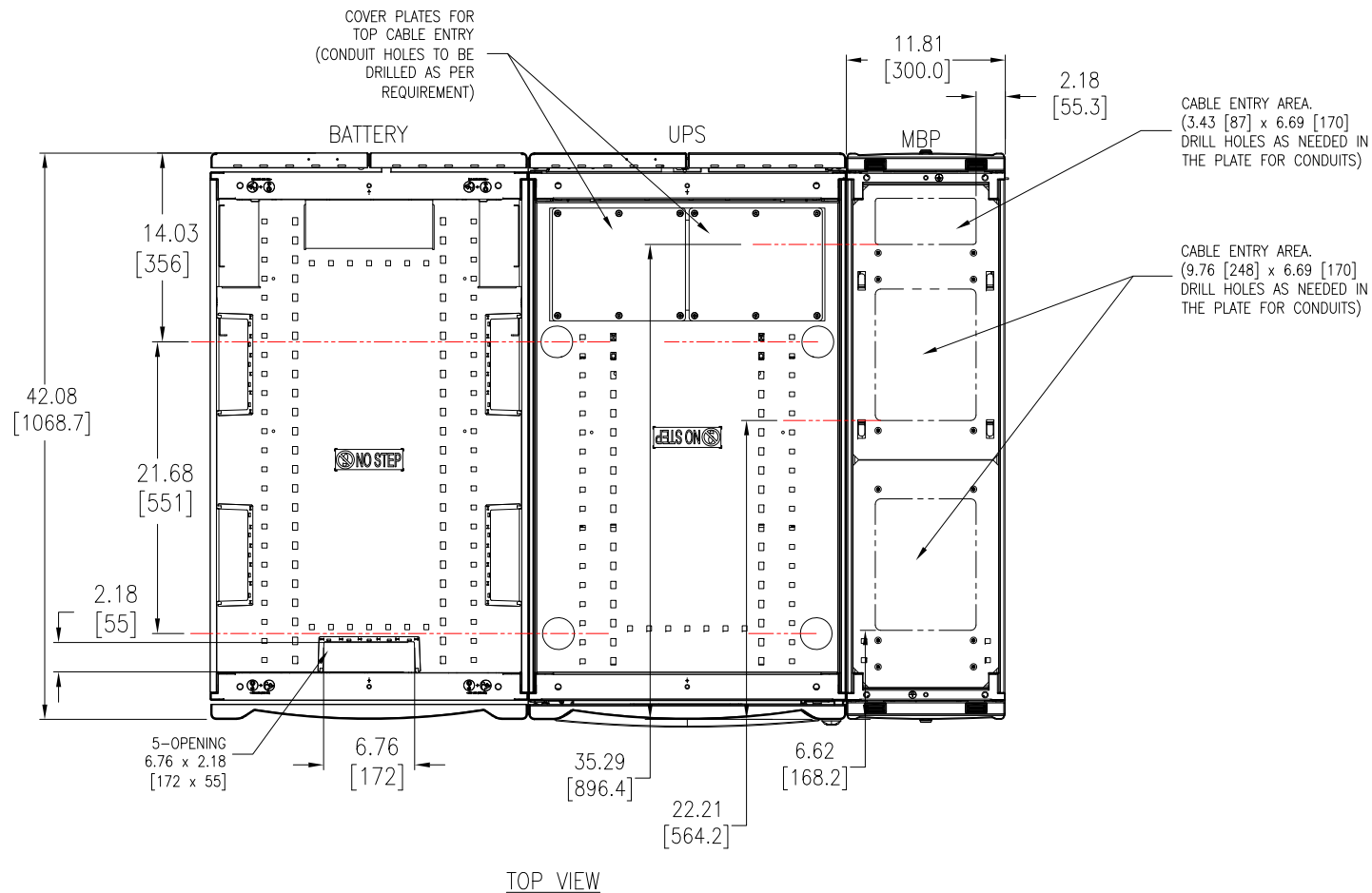
PROJECT: DRAWINGS **SHEET 2 OF 7**

DWG NO: SY100K100FTBMBP **REV.** 1

DRAWN BY: JAYAPRAKASH 29-JUN-17 **THIRD**

ENGINEER: K.S./C.F.P./J.S. 29-JUN-17 **ANGLE**

APPROVED BY: ESPINOSA/MALI ASLE 29-JUN-17 **PROJECTION**



- NOTES:**
1. INSTALLATION SHALL COMPLY WITH ALL APPLICABLE NATIONAL, STATE AND LOCAL CODES.
 2. PLEASE REFER TO PRODUCT MANUALS PRIOR TO INSTALLATION AND SITE PREPARATION WORK FOR FURTHER DETAILS.
 3. UNLESS OTHERWISE SPECIFIED, ALL DIMENSIONS ARE IN INCHES [MILLIMETERS].
 4. THE FACTORY-INSTALLED KIT OH-0991 IS REQUIRED FOR SOLUTIONS INSTALLED IN THIS ORDER.

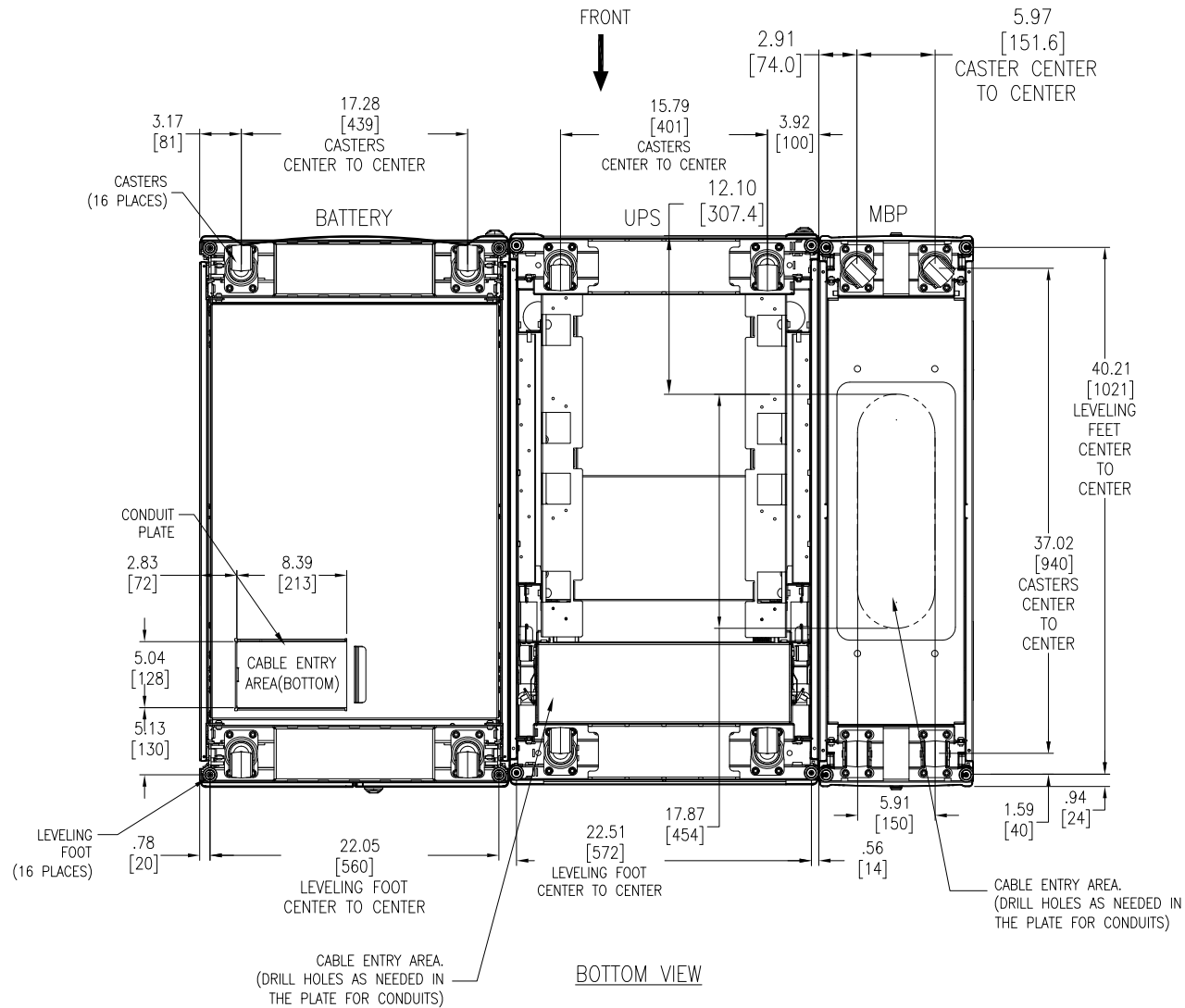
THIS DRAWING AND SPECIFICATIONS HEREIN ARE THE PROPERTY OF SCHNEIDER ELECTRIC AND SHALL NOT BE COPIED, REPRODUCED OR USED IN WHOLE OR IN PART, AS THE BASIS FOR THE MANUFACTURE OR SALE OF ITEMS WITHOUT WRITTEN PERMISSION FROM SCHNEIDER ELECTRIC. THIS DRAWING IS BASED UPON LATEST AVAILABLE INFORMATION AND IS SUBJECT TO CHANGE WITHOUT NOTICE.



TITLE: SYMMETRA PX
SYMMETRA PX 100kW WITH BATTERY AND MBP
Input: 208V, 3PH
Output: 208V, 100kW, 3PH, TOP AND BOTTOM FEED
SYSTEM TOP VIEW

PROJECT: DRAWINGS **SHEET** 3 OF 7

DWG NO: SY100K100FTBMBP	REV. 1
DRAWN BY: JAYAPRAKASH	29-JUN-17
ENGINEER: K.S./C.F.P./J.S	29-JUN-17
APPROVED BY: ESPINOSA/MALI ASLE	29-JUN-17
THIRD ANGLE PROJECTION	



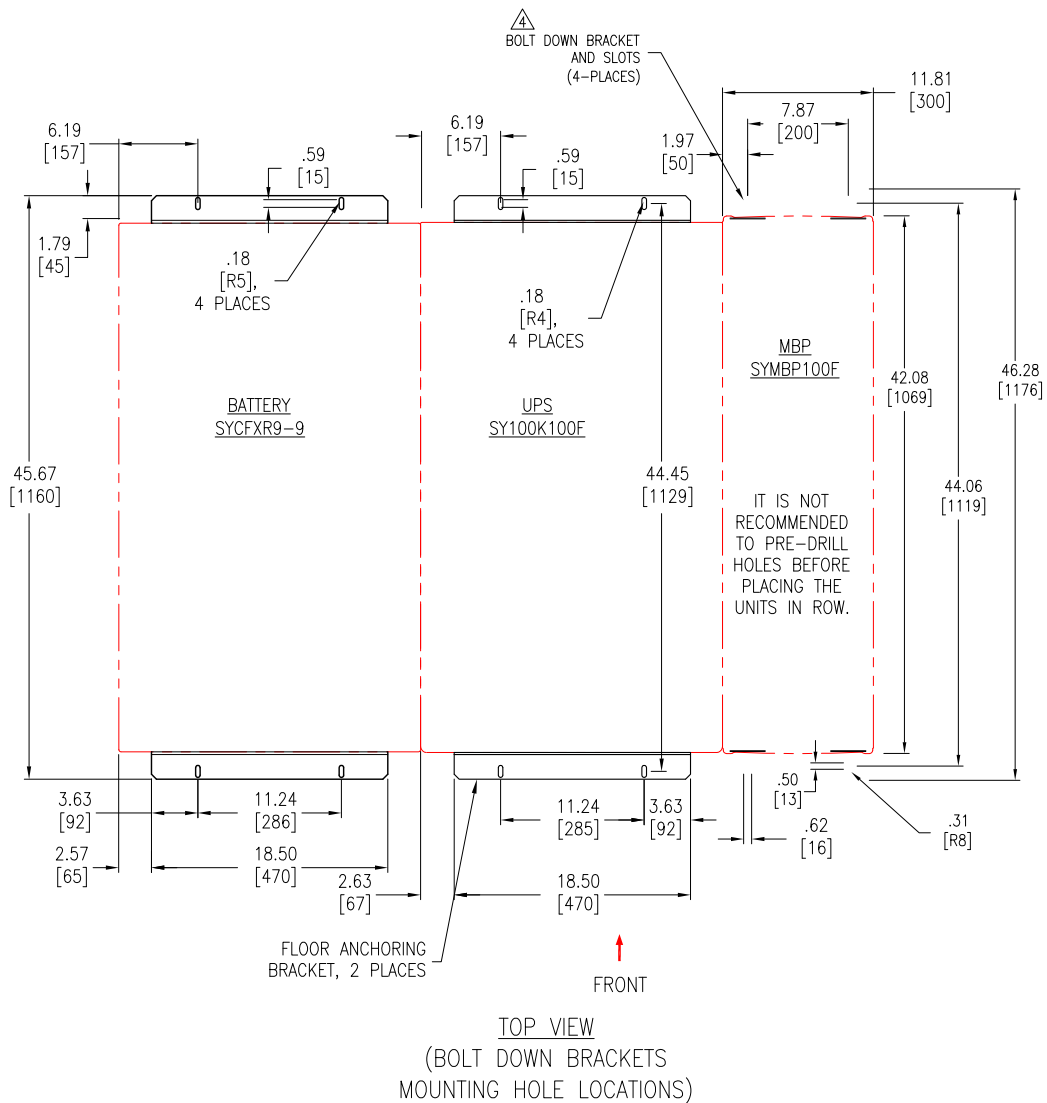
- NOTES:
1. INSTALLATION SHALL COMPLY WITH ALL APPLICABLE NATIONAL, STATE AND LOCAL CODES.
 2. PLEASE REFER TO PRODUCT MANUALS PRIOR TO INSTALLATION AND SITE PREPARATION WORK FOR FURTHER DETAILS.
 3. UNLESS OTHERWISE SPECIFIED, ALL DIMENSIONS ARE IN INCHES [MILLIMETERS].
 4. THE FACTORY-INSTALLED KIT OH-0991 IS REQUIRED FOR SOLUTIONS INSTALLED IN THIS ORDER.

THIS DRAWING AND SPECIFICATIONS HEREIN ARE THE PROPERTY OF SCHNEIDER ELECTRIC AND SHALL NOT BE COPIED, REPRODUCED OR USED IN WHOLE OR IN PART, AS THE BASIS FOR THE MANUFACTURE OR SALE OF ITEMS WITHOUT WRITTEN PERMISSION FROM SCHNEIDER ELECTRIC. THIS DRAWING IS BASED UPON LATEST AVAILABLE INFORMATION AND IS SUBJECT TO CHANGE WITHOUT NOTICE.

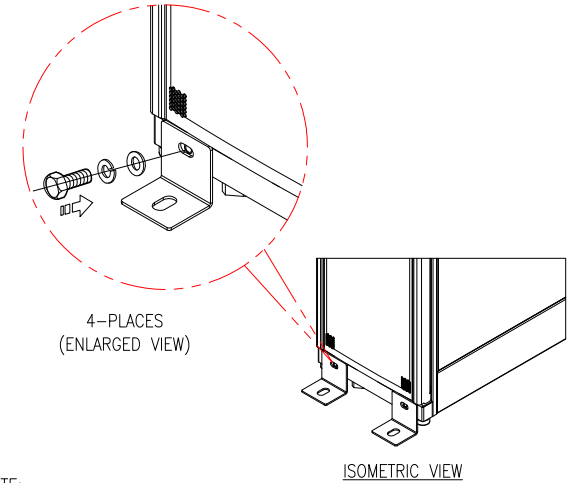


TITLE: SYMMETRA PX
 SYMMETRA PX 100kW WITH BATTERY AND MBP
 Input: 208V, 3PH
 Output: 208V, 100kW, 3PH, TOP AND BOTTOM FEED
 SYSTEM BOTTOM VIEW
 PROJECT: DRAWINGS SHEET 4 OF 7

DWG NO:	SY100K100FTBMBP	REV.	1
DRAWN BY:	JAYAPRAKASH	29-JUN-17	THIRD
ENGINEER:	K.S./C.F.P./J.S	29-JUN-17	ANGLE
APPROVED BY:	ESPINOSA/MALI ASLE	29-JUN-17	PROJECTION

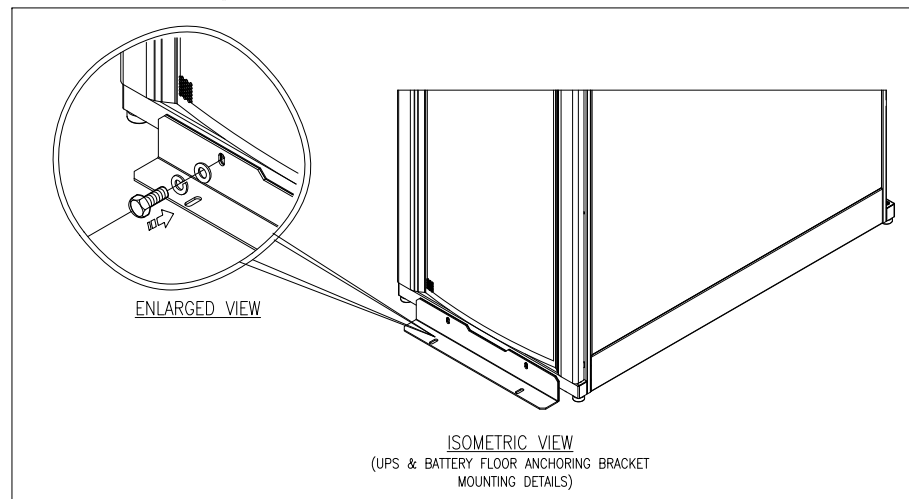


STABILIZING THE UNIT(MBP & PDU):
TO PREVENT THE ENCLOSURE FROM MOVING FROM ITS FINAL LOCATION
IF SHIPPING BRACKET IS NOT AVAILABLE, USE AR7701 (BOLT-DOWN KIT).
ATTACH THE BRACKETS TO THE UNIT AS SHOWN.
USE CODE COMPLIANT FASTENERS TO SECURE THE UNIT TO THE FLOOR.



NOTE:
1. RECOMMENDED TORQUE IS 80-100 LBS-INCHES [9-11.3 N-m].

- NOTES:
1. INSTALLATION SHALL COMPLY WITH ALL APPLICABLE NATIONAL, STATE AND LOCAL CODES.
 2. PLEASE REFER TO PRODUCT MANUALS PRIOR TO INSTALLATION AND SITE PREPARATION WORK FOR FURTHER DETAILS.
 3. UNLESS OTHERWISE SPECIFIED, ALL DIMENSIONS ARE IN INCHES [MILLIMETERS].
 4. REFER TO THE FOLLOWING SUBMITTAL DRAWING FOR SEISMIC ANCHORING DETAILS, PX100 UPS & MBP - SYMBP100F.



THIS DRAWING AND SPECIFICATIONS HEREIN ARE THE PROPERTY OF SCHNEIDER ELECTRIC AND SHALL NOT BE COPIED, REPRODUCED OR USED IN WHOLE OR IN PART, AS THE BASIS FOR THE MANUFACTURE OR SALE OF ITEMS WITHOUT WRITTEN PERMISSION FROM SCHNEIDER ELECTRIC. THIS DRAWING IS BASED UPON LATEST AVAILABLE INFORMATION AND IS SUBJECT TO CHANGE WITHOUT NOTICE.

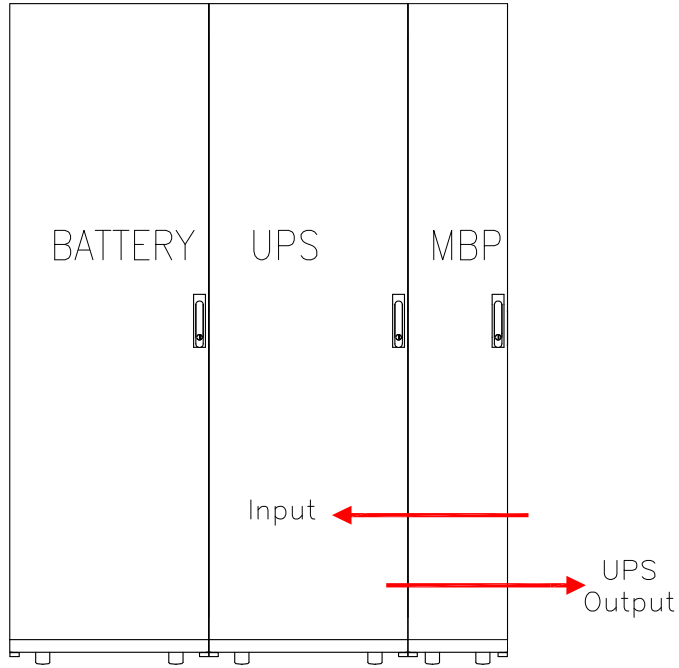


TITLE: SYMMETRA PX SYMMETRA PX 100kW WITH BATTERY AND MBP Input: 208V, 3PH Output: 208V, 100kW, 3PH, TOP AND BOTTOM FEED SYSTEM ANCHORING		DWG NO: SY100K100FTBMBP	REV. 1
PROJECT: DRAWINGS		DRAWN BY: JAYAPRAKASH	29-JUN-17
SHEET 5 OF 7		ENGINEER: K.S./C.F.P./J.S	29-JUN-17
		APPROVED BY: ESPINOSA/MALI ASLE	29-JUN-17
			THIRD ANGLE PROJECTION

UPS, BATTERY AND MBP INSTALLATION

△3

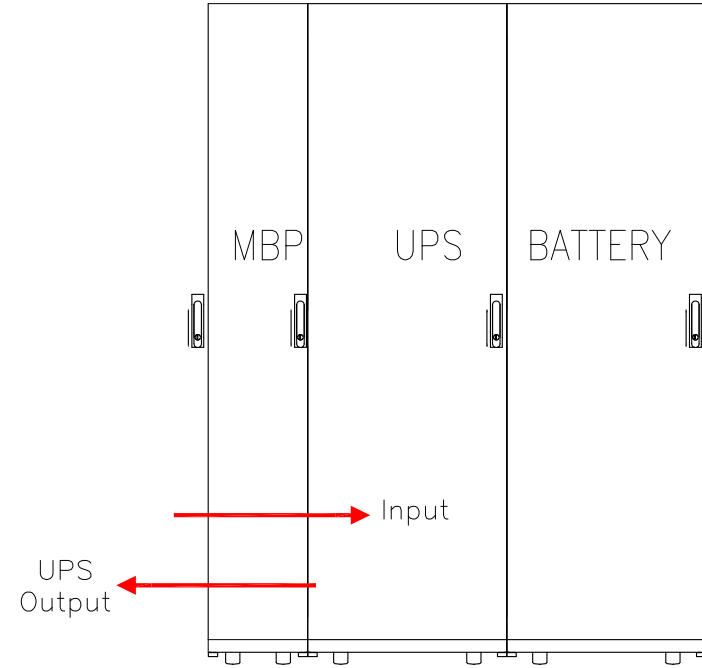
MBP MOUNTED LEFT OF UPS
SINGLE UTILITY



FRONT VIEW
TOP CABLE ENTRY

△4

MBP MOUNTED RIGHT OF UPS
SINGLE UTILITY



FRONT VIEW
TOP CABLE ENTRY

NOTES:

1. INSTALLATION SHALL COMPLY WITH ALL APPLICABLE NATIONAL, STATE AND LOCAL CODES.
2. PLEASE REFER TO PRODUCT MANUALS PRIOR TO INSTALLATION AND SITE PREPARATION WORK FOR FURTHER DETAILS.
- △3. THE FACTORY INSTALLED KIT 0H-0991 IS REQUIRED FOR THE SOLUTIONS INSTALLED IN THIS ORDER.
- △4. THE FACTORY INSTALLED KIT 0H-0992 IS REQUIRED FOR THE SOLUTIONS INSTALLED IN THIS ORDER.

THIS DRAWING AND SPECIFICATIONS HEREIN ARE THE PROPERTY OF SCHNEIDER ELECTRIC AND SHALL NOT BE COPIED, REPRODUCED OR USED IN WHOLE OR IN PART, AS THE BASIS FOR THE MANUFACTURE OR SALE OF ITEMS WITHOUT WRITTEN PERMISSION FROM SCHNEIDER ELECTRIC. THIS DRAWING IS BASED UPON LATEST AVAILABLE INFORMATION AND IS SUBJECT TO CHANGE WITHOUT NOTICE.



TITLE: SYMMETRA PX 100kW WITH BATTERY AND MBP
SYMMETRA PX 100kW WITH BATTERY AND MBP
Input: 208V, 3PH
Output: 208V, 100kW, 3PH, TOP AND BOTTOM FEED
SYSTEM INSTALLATION

PROJECT: DRAWINGS | **SHEET** 6 OF 7

DWG NO: SY100K100FTBMBP

DRAWN BY: JAYAPRAKASH	29-JUN-17
ENGINEER: K.S/C.F.P./J.S	29-JUN-17
APPROVED BY: ESPINOSA/MALI ASLE	29-JUN-17

REV. 1

THIRD ANGLE PROJECTION

Symmetra® PX 100K UPS Frame Site Planning Data - w/o Modular PDU - w/o Transformer

UPS Rating			Voltage		Rectifier AC Input MIB Dual or Single Feed ⁴						Bypass AC Input BIB Dual Feed ⁴						External Battery System ⁵					AC Output	
					Current		Recommendations ^{3, 9, 10}				Current		Recommendations ^{3, 9}				Nominal VDC	Battery kW	Current @ Nom. VDC	Recommendations ^{3, 9}		Current	
UPS Frame Rating	Qty of 10 kW Power Modules ⁸	UPS Rating kVA/kW	Input ¹	Output ²	Full Load	Max. ⁶	100% OCPD	100% Cable	80% OCPD	80% Cable	NOM.	Max. ⁷	100% OCPD	100% Cable	80% OCPD	80% Cable							100% OCPD
100kVA / 100kW 100K Frame	1	10	208	208	33	36	40A	1x 8	45A	1x 8	28	35	30A	1x 8	35A	1x 8	2x 192	11	28	30A	1x 8	28	35
	2	20	208	208	66	72	80A	1x 4	90A	1x 4	56	69	60A	1x 6	70A	1x 4	2x 192	22	56	60A	1x 6	56	70
	3	30	208	208	100	108	110A	1x 2	125A	1x 1	83	104	90A	1x 4	110A	1x 2	2x 192	32	84	90A	1x 4	84	105
	4	40	208	208	133	144	150A	1x 1/0	175A	1x 2/0	111	139	125A	1x 2	150A	1x 1/0	2x 192	43	113	125A	1x 2	112	140
	5	50	208	208	166	180	200A	1x 3/0	225A	1x 4/0	139	174	150A	1x 1/0	175A	1x 2/0	2x 192	54	141	150A	1x 1/0	140	175
	6	60	208	208	199	216	225A	1x 4/0	250A	1x 250	167	208	175A	1x 2/0	225A	1x 4/0	2x 192	65	169	175A	1x 2/0	168	210
	7	70	208	208	232	252	300A	1x 250	300A	1x 350	195	243	200A	1x 3/0	250A	1x 250	2x 192	76	197	200A	1x 3/0	196	245
	8	80	208	208	266	288	300A	1x 350	350A	1x 400	222	278	225A	1x 4/0	300A	1x 300	2x 192	86	225	225A	1x 4/0	224	280
	9	90	208	208	299	324	350A	1x 400	400A	1x 500	250	312	300A	1x 250	350A	1x 400	2x 192	97	253	300A	1x 250	252	315
	10⁸	100	208	208	332	360	400A	1x 500	450A	2x 4/0	278	347	300A	1x 300	350A	1x 500	2x 192	108	282	300A	1x 300	278	347

Symmetra® PX

Notes. 208Y/120 V (Transformerless Without PDU)

1. Mains Input Source(s) must be 208V Wye solidly grounded. Contact Schneider Electric if Other
2. Output is either 208V Wye 3-wire + Ground or 4-wire + GROUND. Bypass source shall be 4-wire+G.
3. Recommended cables are THHN AWG/kcmil minimum requirement in raceway, sized for 30°C environment, 75°C terminations, PFC load, and three (3) current carrying conductors per circuit. All Cabling must comply with installation site conditions and any appl
4. Either single feed MIB or dual feed BIB input for the bypass shall be 4-wire+G. Rectifier MIB Input for Dual Feed shall be 3-wire+G. See respective one-line drawings for further clarification.
5. Contact Schneider Electric for assistance with all external battery designs. Maximum allowed DC voltage drop is 1 VDC.
6. Electronic Input current Limit.
7. This is the UPS short time rating of 125% Overload for 10 minutes. Actual short time performance may be limited by the overcurrent protective device selected.
8. For maximum scalability or future expansion it is recommended that the UPS frames be installed at their full ratings - see bold highlighted data.
9. All OCPD's and cabling are by others.
10. Dual feed only for mains 1 input. See Bypass AC Input for mains 2 input.
11. OCPD = Over Current Protective Device.
12. Final selections are responsibility of Engineer of record based on installed conditions and SCC/ Selective co-ordination/ arc-flash analysis.

THIS DRAWING AND SPECIFICATIONS HEREIN ARE THE PROPERTY OF SCHNEIDER ELECTRIC AND SHALL NOT BE COPIED, REPRODUCED OR USED IN WHOLE OR IN PART, AS THE BASIS FOR THE MANUFACTURE OR SALE OF ITEMS WITHOUT WRITTEN PERMISSION FROM SCHNEIDER ELECTRIC. THIS DRAWING IS BASED UPON LATEST AVAILABLE INFORMATION AND IS SUBJECT TO CHANGE WITHOUT NOTICE.



TITLE: SYMMETRA PX 100kW WITH BATTERY AND MBP
 Input: 208V, 3PH
 Output: 208V, 100kW, 3PH, TOP AND BOTTOM FEED
 SITE PLANNING DATA
 PROJECT: DRAWINGS SHEET 7 OF 7

DWG NO:	SY100K100FTBMBP	REV.	1
DRAWN BY:	JAYAPRAKASH	29-JUN-17	THIRD
ENGINEER:	K.S./C.F.P./J.S	29-JUN-17	ANGLE
APPROVED BY:	ESPINOSA/MALI ASLE	29-JUN-17	PROJECTION