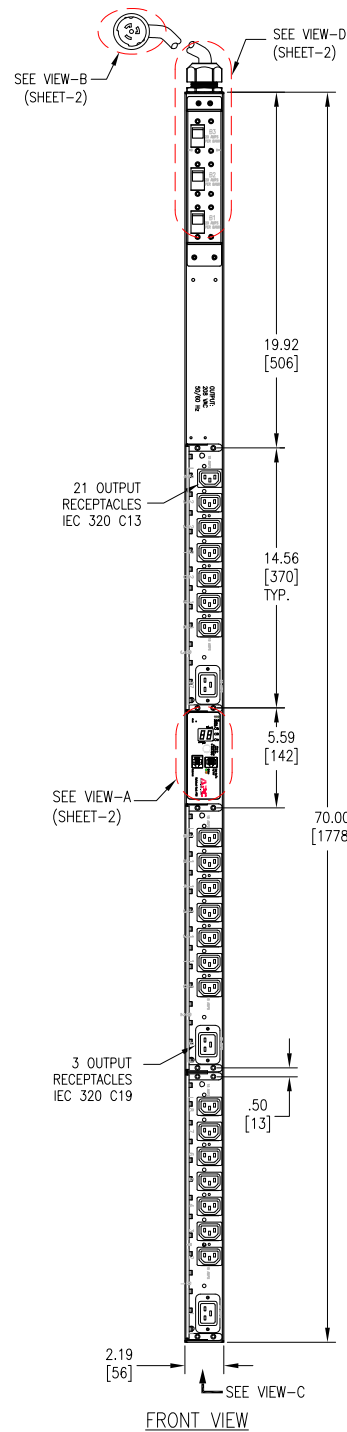
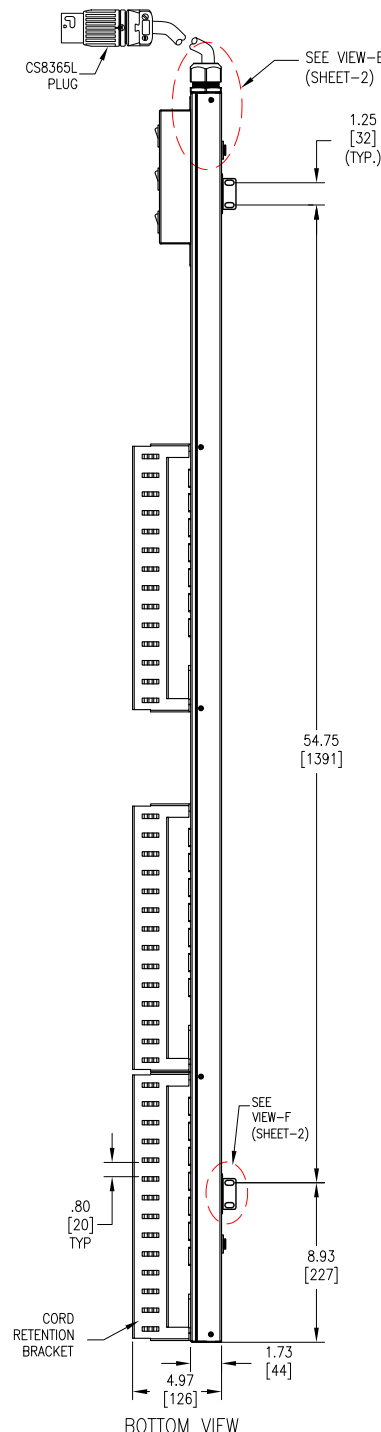


ISOMETRIC VIEW

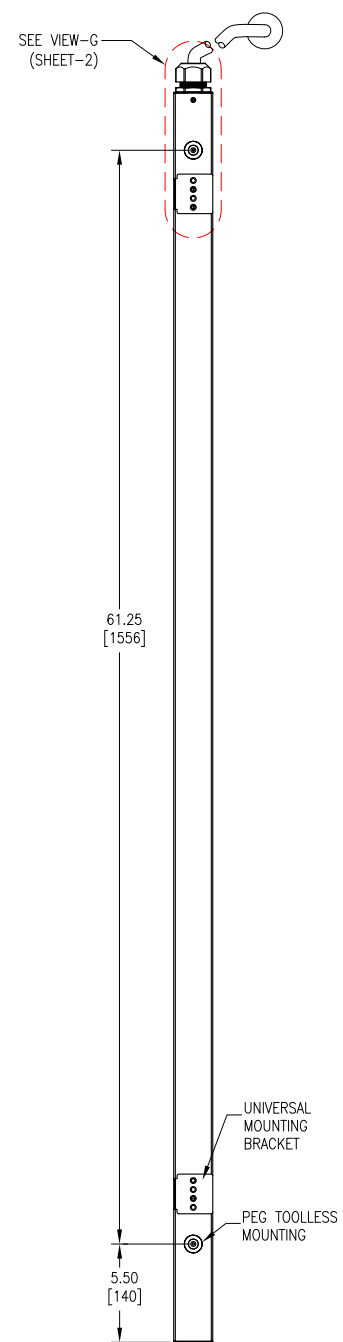
- NOTES:
1. INSTALLATION SHALL COMPLY WITH ALL APPLICABLE NATIONAL, STATE AND LOCAL ELECTRICAL REGULATIONS..
 2. REFER TO PRODUCT DOCUMENTATION FOR ADDITIONAL DETAILS PRIOR TO INSTALLATION AND SITE PREPARATION WORK
 3. ALL DIMENSIONS ARE IN INCHES [MILLIMETERS].
 4. NET WEIGHT OF UNIT IS 21.28 lb [9.67kg].
 5. LENGTH OF INPUT CORD IS 120 Inches [3048mm].
 6. UNIVERSAL MOUNTING BRACKET IS AN ALTERNATIVE MOUNTING METHOD TO THE TOOLLESS MOUNT FOR NON APC RACKS.
 7. BRACKET KITS TO MOUNT TO SPECIFIC COMPETITORS RACKS ARE AVAILABLE AS OPTIONS.



FRONT VIEW



BOTTOM VIEW



REAR VIEW

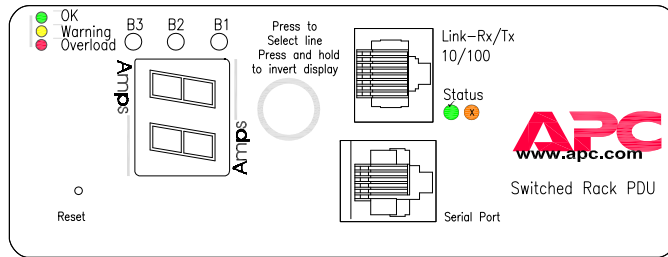
THIS DRAWING AND SPECIFICATIONS HEREIN ARE THE PROPERTY OF SCHNEIDER ELECTRIC AND SHALL NOT BE COPIED, REPRODUCED OR USED IN WHOLE OR IN PART, AS THE BASIS FOR THE MANUFACTURE OR SALE OF ITEMS WITHOUT WRITTEN PERMISSION FROM SCHNEIDER ELECTRIC. THIS DRAWING IS BASED UPON LATEST AVAILABLE INFORMATION AND IS SUBJECT TO CHANGE WITHOUT NOTICE.



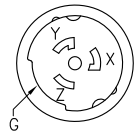
TITLE: RACK PDU, SWITCHED ZERO U, 12.5kW, 208V
 INPUT: CS8365L - 10 FEET CORD
 OUTPUT: (2)IEC 320 C13, (3)IEC 320 C19
 GENERAL ARRANGEMENT

PROJECT: DRAWINGS SHEET 1 OF 2

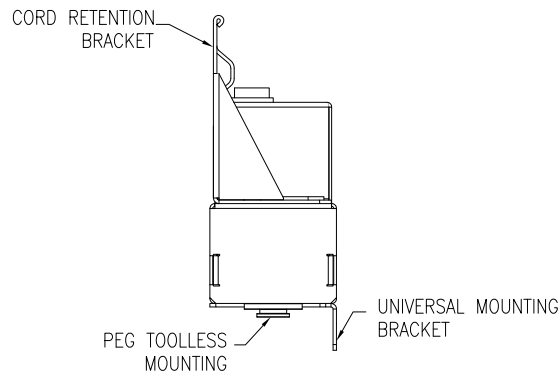
DWG NO:	AP7998B	REV:	0
DRAWN BY:	JAYAPRAKASH	DATE:	24-AUG-16
ENGINEER:	KATIE RICK	DATE:	07-DEC-16
APPROVED BY:	KATIE RICK	DATE:	07-DEC-16
			THIRD ANGLE PROJECTION



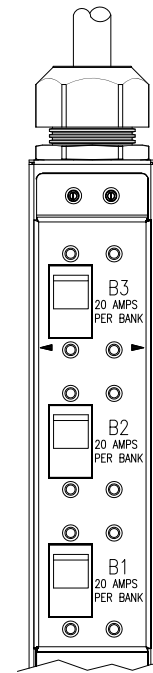
VIEW-A (DISPLAY INTERFACE-ENLARGED)



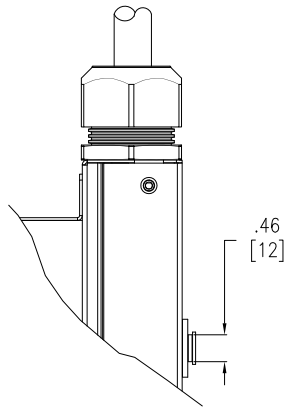
VIEW-B
(CONNECTOR FACE VIEW
CS8365L PLUG-ENLARGED)



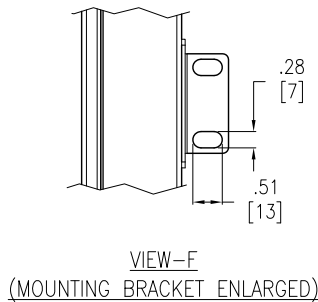
VIEW-C (ENLARGED)



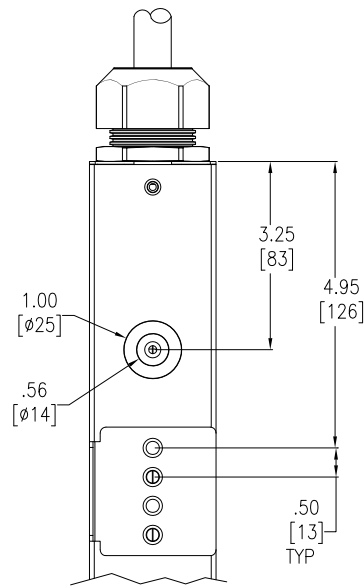
VIEW-D (ENLARGED)



VIEW-E (ENLARGED)



VIEW-F
(MOUNTING BRACKET ENLARGED)



VIEW-G (ENLARGED)

NOTES:

1. INSTALLATION SHALL COMPLY WITH ALL APPLICABLE NATIONAL, STATE AND LOCAL ELECTRICAL REGULATIONS..
2. REFER TO PRODUCT DOCUMENTATION FOR ADDITIONAL DETAILS PRIOR TO INSTALLATION AND SITE PREPARATION WORK
3. ALL DIMENSIONS ARE IN INCHES [MILLIMETERS].

THIS DRAWING AND SPECIFICATIONS HEREIN ARE THE PROPERTY OF SCHNEIDER ELECTRIC AND SHALL NOT BE COPIED, REPRODUCED OR USED IN WHOLE OR IN PART, AS THE BASIS FOR THE MANUFACTURE OR SALE OF ITEMS WITHOUT WRITTEN PERMISSION FROM SCHNEIDER ELECTRIC. THIS DRAWING IS BASED UPON LATEST AVAILABLE INFORMATION AND IS SUBJECT TO CHANGE WITHOUT NOTICE.



TITLE: RACK PDU, SWITCHED ZERO U, 12.5KW, 208V INPUT: CS8365L - 10 FEET CORD OUTPUT: (2)IEC 320 C13, (3)IEC 320 C19 VIEW - DETAILS
PROJECT: SUBMITTAL DRAWINGS SHEET 2 OF 2

DWG NO:	AP7998B	REV:	0
DRAWN BY:	JAYAPRAKASH	DATE:	24-AUG-16
ENGINEER:	KATIE RICK	DATE:	07-DEC-16
APPROVED BY:	KATIE RICK	DATE:	07-DEC-16
			THIRD ANGLE PROJECTION