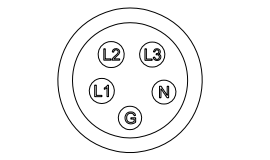
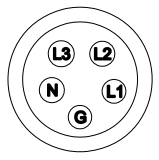


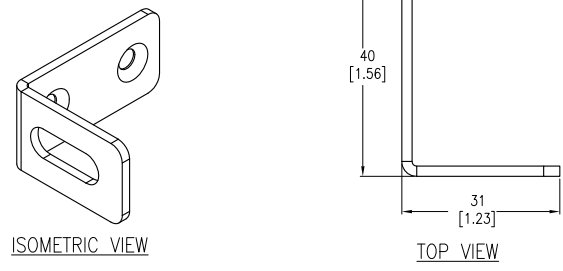
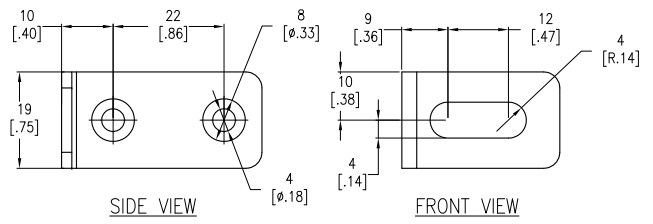
VIEW-A (DISPLAY INTERFACE-ENLARGED)



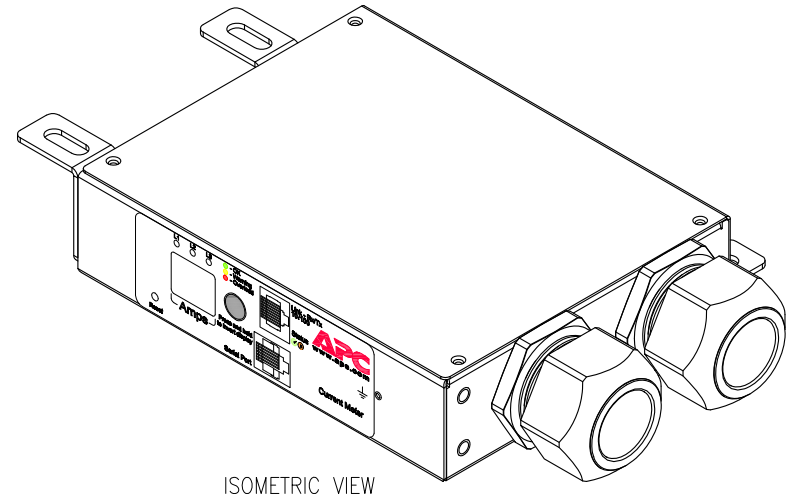
VIEW B
(IEC 309 32A 3P+N+E
OUTPUT RECEPTACLE ENLARGED)



VIEW C
(IEC 309 32A 3P+N+E
INPUT PLUG ENLARGED)



MOUNTING BRACKET DETAILS



ISOMETRIC VIEW

- NOTES:**
1. INSTALLATION SHALL COMPLY WITH ALL APPLICABLE NATIONAL, STATE AND LOCAL ELECTRICAL REGULATIONS.
 2. REFER TO PRODUCT DOCUMENTATION FOR ADDITIONAL DETAILS PRIOR TO INSTALLATION AND SITE PREPARATION WORK.
 3. UNLESS OTHERWISE SPECIFIED, ALL DIMENSIONS ARE IN MILLIMETERS [INCHES].
 4. NET WEIGHT OF UNIT IS 2.89kg [6.35 lb].
 5. LENGTH OF INPUT AND OUTPUT CORD IS 915mm [36 Inches].

THIS DRAWING AND SPECIFICATIONS HEREIN ARE THE PROPERTY OF SCHNEIDER ELECTRIC AND SHALL NOT BE COPIED, REPRODUCED OR USED IN WHOLE OR IN PART, AS THE BASIS FOR THE MANUFACTURE OR SALE OF ITEMS WITHOUT WRITTEN PERMISSION FROM SCHNEIDER ELECTRIC. THIS DRAWING IS BASED UPON LATEST AVAILABLE INFORMATION AND IS SUBJECT TO CHANGE WITHOUT NOTICE.



TITLE: IN-LINE CURRENT METER
32A, 230/400VAC, 3P+N+E
INPUT: (1)IEC309, 32A 3P+N+E
OUTPUT: (1)IEC309, 32A 3P+N+E
GENERAL ARRANGEMENT

PROJECT: SUBMITTAL DRAWINGS SHEET 1 OF 1

DWG NO: AP7175B REV. 0

DRAWN: JAYAPRAKASH	23-NOV-16	FIRST ANGLE PROJECTION
ENGINEER: KATIE RICK	23-NOV-16	
APPROVED: KATIE RICK	23-NOV-16	