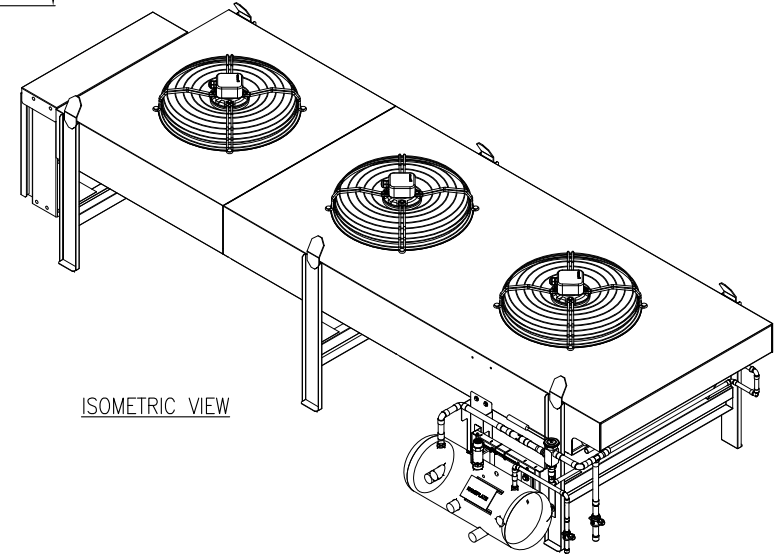
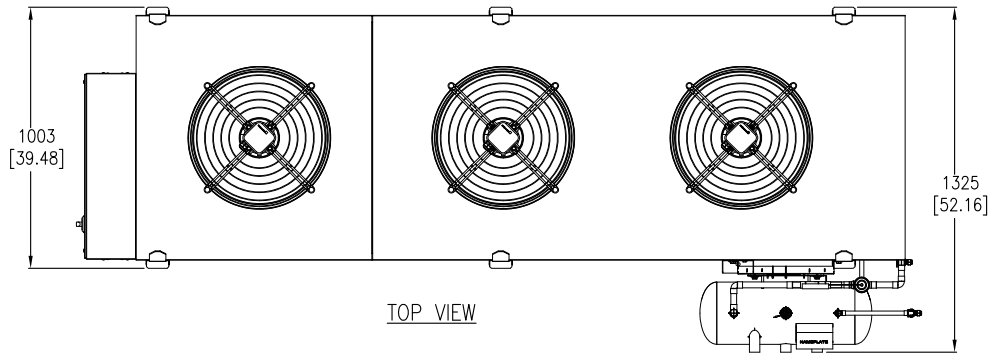
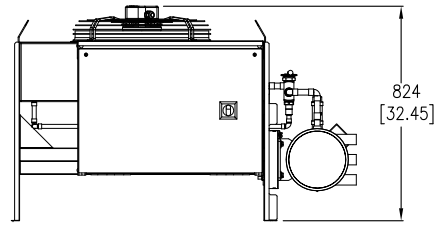
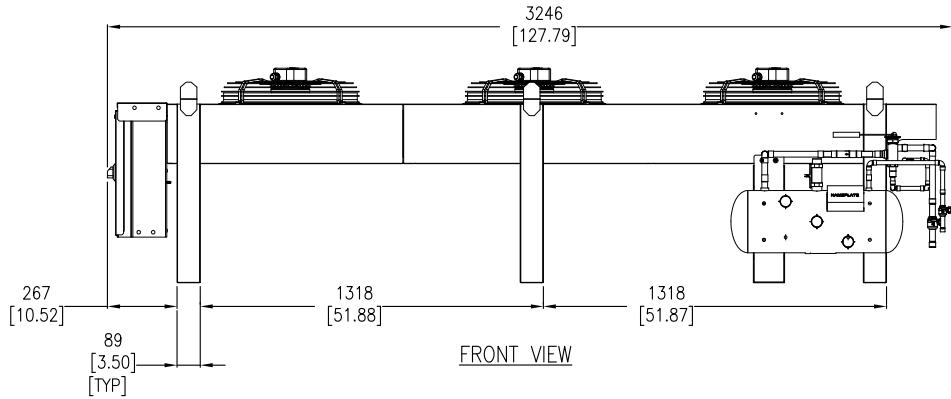


SKU#: ACCD75228, ACCD75229, ACCD75230 AND ACCD75231



SL. No.	CONDENSER SKU#	VOLTAGE/PH/FREQUENCY	NET WEIGHT IN kg [lb]	APPLICABLE RECEIVER SKU#
1	ACCD75228	208-230V/3PH/60Hz	218 [480]	ACAC75014
2	ACCD75229	208-230V/3PH/60Hz	230 [509]	ACAC75014
3	ACCD75230	460-480V/3PH/60Hz	218 [480]	ACAC75014
4	ACCD75231	460-480V/3PH/60Hz	230 [509]	ACAC75014
5	ACCD75232	230V/1PH/50Hz	144 [318]	ACAC75013
6	ACCD75232-C	230V/1PH/50Hz	135 [298]	ACAC75015
7	ACCD75233-C	230V/1PH/60Hz	136 [300]	ACAC75015

SL. No.	APPLICABLE RECEIVER SKU#	SHIPPING WEIGHT IN kg [LB]	RECEIVER SIZE IN LITERS
1	ACAC75014	107.31 [236.6]	20
2	ACAC75013	71.87 [158.5]	20
3	ACAC75015	71.87 [158.5]	20

NOTES:

1. INSTALLATION SHALL COMPLY WITH ALL APPLICABLE NATIONAL, STATE AND LOCAL ELECTRICAL REGULATIONS..
2. REFER TO PRODUCT DOCUMENTATION FOR ADDITIONAL DETAILS PRIOR TO INSTALLATION AND SITE PREPARATION WORK.
3. UNLESS OTHERWISE SPECIFIED, ALL DIMENSIONS ARE IN MILLIMETERS [INCHES].
4. RECEIVERS ARE NOT PART OF THE SKU AND SHALL BE ORDERED SEPERATELY.

THIS DRAWING AND SPECIFICATIONS HEREIN ARE THE PROPERTY OF SCHNEIDER ELECTRIC AND SHALL NOT BE COPIED, REPRODUCED OR USED IN WHOLE OR IN PART, AS THE BASIS FOR THE MANUFACTURE OR SALE OF ITEMS WITHOUT WRITTEN PERMISSION FROM SCHNEIDER ELECTRIC. THIS DRAWING IS BASED UPON LATEST AVAILABLE INFORMATION AND IS SUBJECT TO CHANGE WITHOUT NOTICE.



TITLE:

InRow DIRECT EXPANSION
CONDENSER
GENERAL ARRANGEMENT

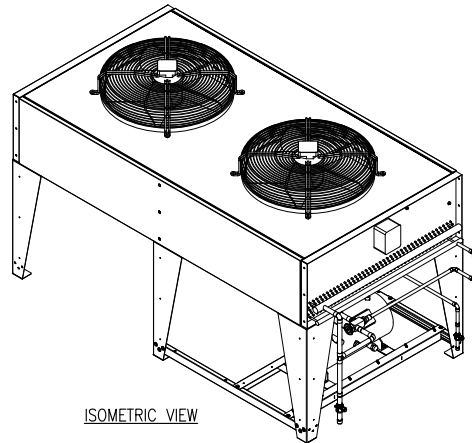
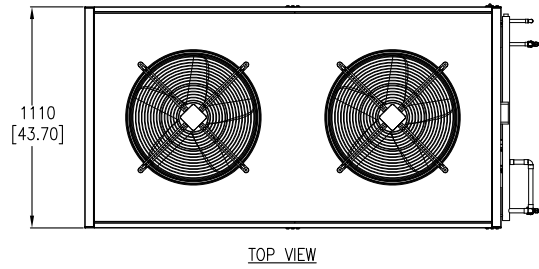
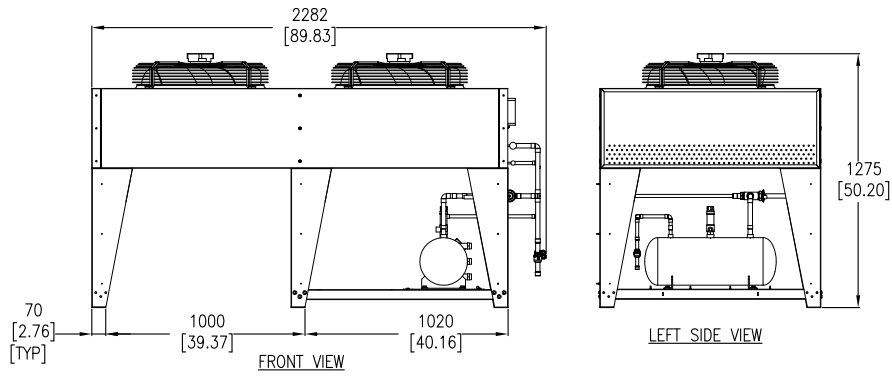
PROJECT: DRAWINGS SHEET 1 OF 4

DWG NO: ACCD75228-ACCD75233-C REV. 1

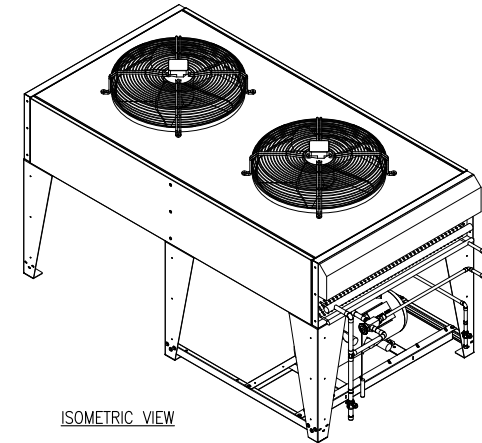
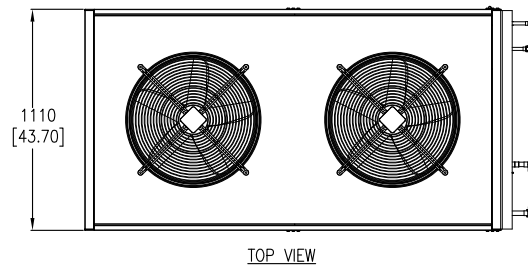
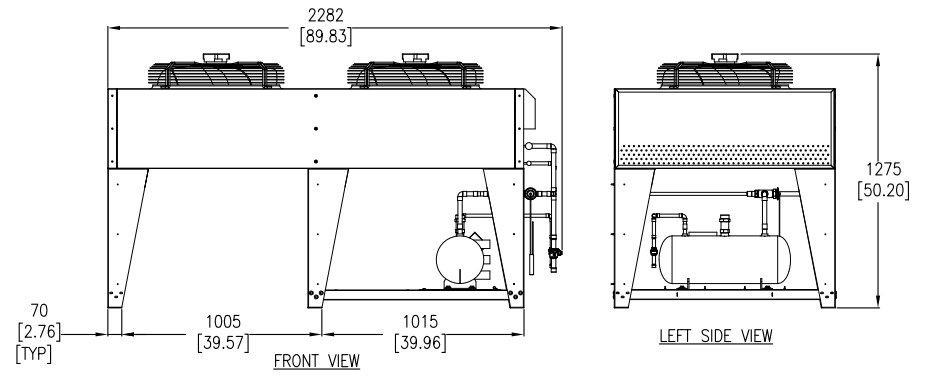
DRAWN:	JAYAPRAKASH	20-MAR-17
ENGINEER:	XuXiang Zhong	20-MAR-17
APPROVED:	Nick Schweissguth	20-MAR-17

FIRST ANGLE PROJECTION

SKU#: ACCD75232-C AND ACCD75233-C



SKU#: ACCD75232



- NOTES:
1. INSTALLATION SHALL COMPLY WITH ALL APPLICABLE NATIONAL, STATE AND LOCAL ELECTRICAL REGULATIONS.
 2. REFER TO PRODUCT DOCUMENTATION FOR ADDITIONAL DETAILS PRIOR TO INSTALLATION AND SITE PREPARATION WORK.
 3. UNLESS OTHERWISE SPECIFIED, ALL DIMENSIONS ARE IN MILLIMETERS [INCHES].
 4. RECEIVERS ARE NOT PART OF THE SKU AND SHALL BE ORDERED SEPERATELY.

THIS DRAWING AND SPECIFICATIONS HEREIN ARE THE PROPERTY OF SCHNEIDER ELECTRIC AND SHALL NOT BE COPIED, REPRODUCED OR USED IN WHOLE OR IN PART, AS THE BASIS FOR THE MANUFACTURE OR SALE OF ITEMS WITHOUT WRITTEN PERMISSION FROM SCHNEIDER ELECTRIC. THIS DRAWING IS BASED UPON LATEST AVAILABLE INFORMATION AND IS SUBJECT TO CHANGE WITHOUT NOTICE.

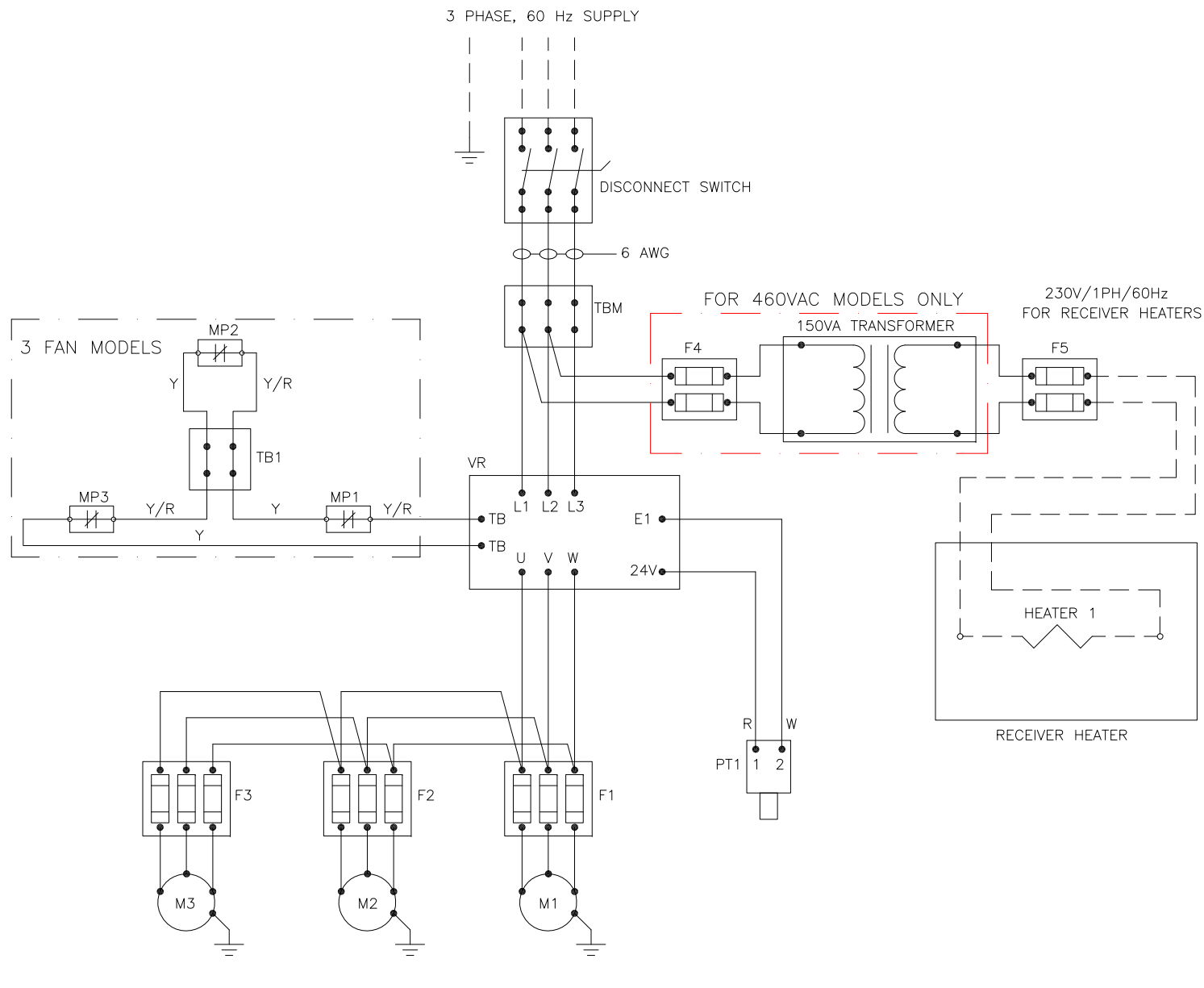


TITLE:	InRow DIRECT EXPANSION CONDENSER GENERAL ARRANGEMENT	DWG NO:	ACCD75228-ACCD75233-C	REV:	0
PROJECT:	DRAWINGS SHEET 2 OF 4	DRAWN:	JAYAPRAKASH	08-JUN-16	FIRST ANGLE PROJECTION
		ENGINEER:	XuXiang Zhong	14-JUL-16	
		APPROVED:	Nick Schweissguth	14-JUL-16	

WIRING DIAGRAM

WIRING DIAGRAM FOR MODELS:

ACCD75228, ACCD75229, ACCD75230 AND ACCD75231



LEGEND
M-FAN MOTOR
VR-VOLTAGE REGULATOR
PT-PRESSURE TRANSDUCER
F-FUSE
TB-TERMINAL BOARD
MP-MOTOR PROTECTOR

————— SOLID LINES INDICATE FACTORY WIRING
- - - - - DASHED LINES INDICATE FIELD WIRING

- NOTES:**
1. INSTALLATION SHALL COMPLY WITH ALL APPLICABLE NATIONAL, STATE AND LOCAL ELECTRICAL REGULATIONS.
 2. REFER TO PRODUCT DOCUMENTATION FOR ADDITIONAL DETAILS PRIOR TO INSTALLATION AND SITE PREPARATION WORK.
 3. USE 18AWG UNLESS OTHERWISE SPECIFIED.

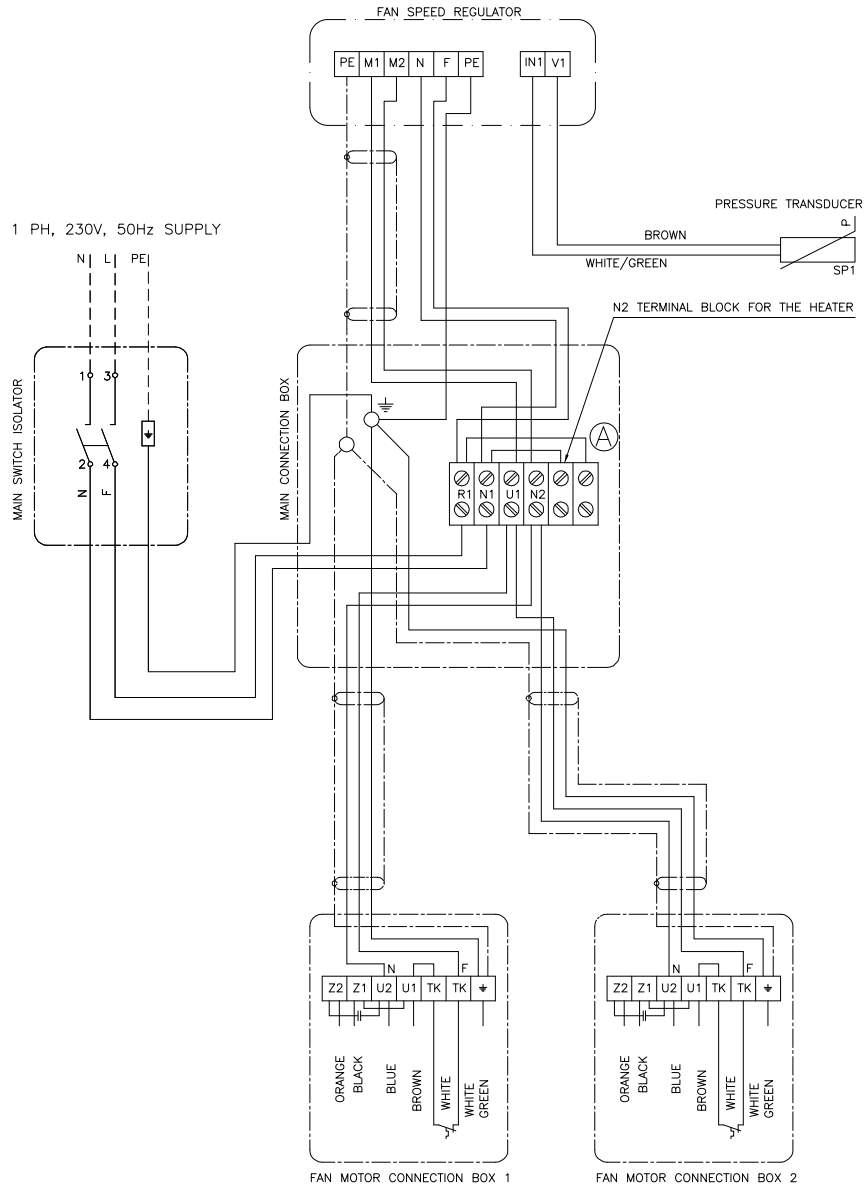
THIS DRAWING AND SPECIFICATIONS HEREIN ARE THE PROPERTY OF SCHNEIDER ELECTRIC AND SHALL NOT BE COPIED, REPRODUCED OR USED IN WHOLE OR IN PART, AS THE BASIS FOR THE MANUFACTURE OR SALE OF ITEMS WITHOUT WRITTEN PERMISSION FROM SCHNEIDER ELECTRIC. THIS DRAWING IS BASED UPON LATEST AVAILABLE INFORMATION AND IS SUBJECT TO CHANGE WITHOUT NOTICE.



TITLE:
InRow DIRECT EXPANSION
CONDENSER
WIRING DIAGRAM
PROJECT: DRAWINGS SHEET 3 OF 4

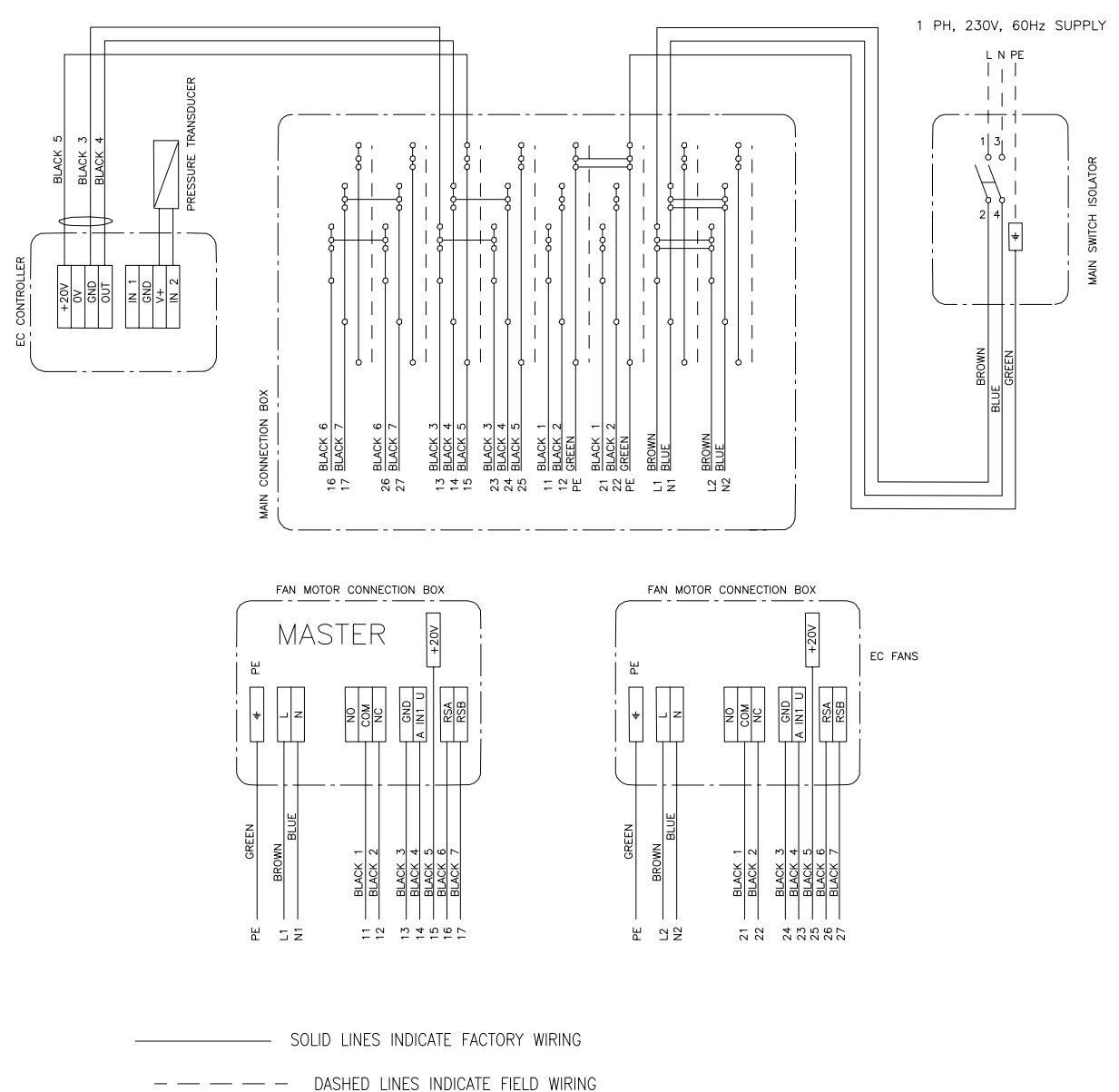
DWG NO:	ACCD75228-ACCD75233-C	REV:	0
DRAWN:	JAYAPRAKASH	08-JUN-16	ANGLE
ENGINEER:	XuXiang Zhong	14-JUL-16	PROJECTION
APPROVED:	Nick Schweissguth	14-JUL-16	N/A

WIRING DIAGRAM FOR MODELS:
ACCD75232 AND ACCD75232-C



WIRING DIAGRAM

WIRING DIAGRAM FOR MODEL: ACCD75233-C



- NOTES:
1. INSTALLATION SHALL COMPLY WITH ALL APPLICABLE NATIONAL, STATE AND LOCAL ELECTRICAL REGULATIONS.
 2. REFER TO PRODUCT DOCUMENTATION FOR ADDITIONAL DETAILS PRIOR TO INSTALLATION AND SITE PREPARATION WORK.
 3. IN CASE OF FEED FAILURE OF 'MASTER' FAN MOTOR, ALSO THE EC CONTROLLER FEED WILL FAIL.

THIS DRAWING AND SPECIFICATIONS HEREIN ARE THE PROPERTY OF SCHNEIDER ELECTRIC AND SHALL NOT BE COPIED, REPRODUCED OR USED IN WHOLE OR IN PART, AS THE BASIS FOR THE MANUFACTURE OR SALE OF ITEMS WITHOUT WRITTEN PERMISSION FROM SCHNEIDER ELECTRIC. THIS DRAWING IS BASED UPON LATEST AVAILABLE INFORMATION AND IS SUBJECT TO CHANGE WITHOUT NOTICE.



TITLE:	InRow DIRECT EXPANSION CONDENSER WIRING DIAGRAM	DWG NO:	ACCD75228-ACCD75233-C	REV:	0
PROJECT:	DRAWINGS	ENGINEER:	XuXiang Zhang	DATE:	14-JUL-16
	SHEET 4 OF 4	APPROVED:	Nick Schweissguth	DATE:	14-JUL-16