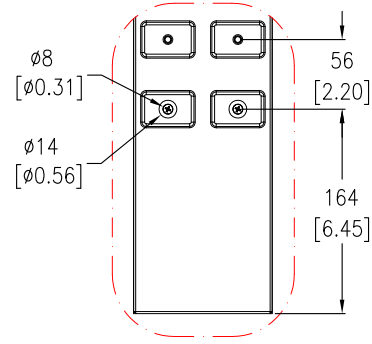
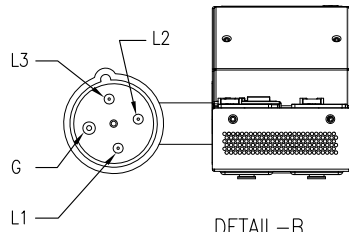


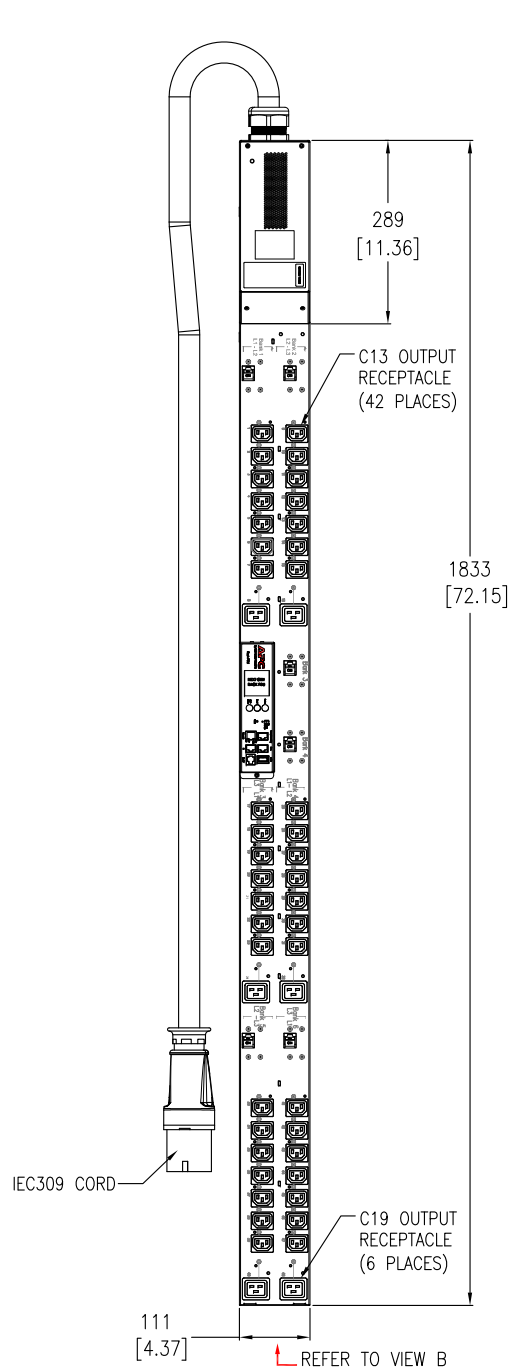
ISOMETRIC VIEW



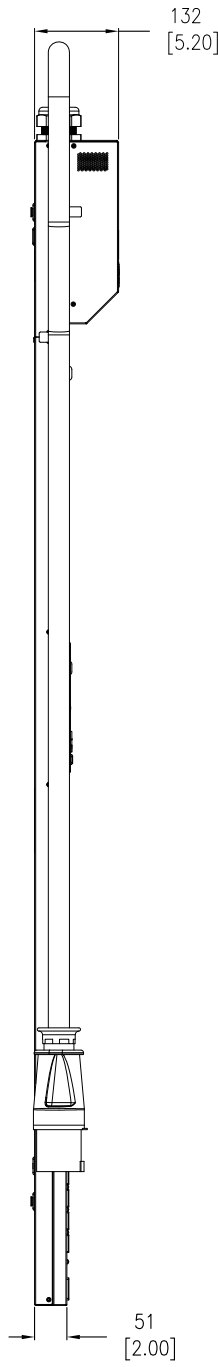
DETAIL-A
(ENLARGED VIEW)



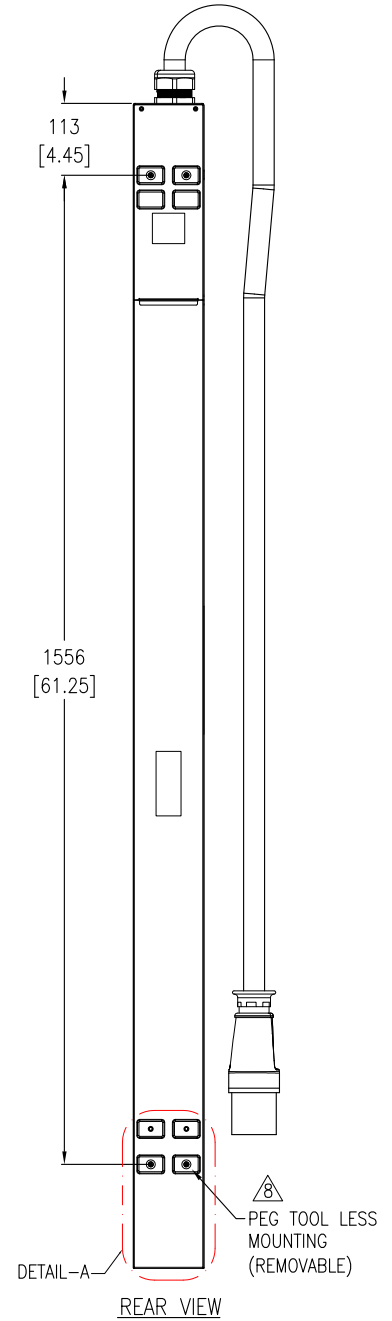
DETAIL-B
(ENLARGED VIEW)



FRONT VIEW



SIDE VIEW



REAR VIEW

NOTES:

1. INSTALLATION SHALL COMPLY WITH ALL APPLICABLE NATIONAL, STATE AND LOCAL ELECTRICAL REGULATIONS.
2. REFER TO PRODUCT DOCUMENTATION FOR ADDITIONAL DETAILS PRIOR TO INSTALLATION AND SITE PREPARATION WORK.
3. ALL DIMENSIONS ARE IN MILLIMETERS [INCHES].
4. NET WEIGHT OF UNIT IS 17.23kg [38 lb].
5. LENGTH OF THE CORD IS 1829mm [72 INCHES].
6. UNIVERSAL MOUNTING BRACKET IS AN ALTERNATIVE MOUNTING METHOD TO THE TOOL LESS MOUNT FOR 3rd PARTY ENCLOSURE. BRACKET IS PROVIDED WITH THE UNIT. DETAILED INSTALLATION INSTRUCTION CAN BE FOUND IN THE MANUAL.
7. BRACKET KIT TO MOUNT TO SPECIFIC 3rd PARTY ENCLOSURES ARE AVAILABLE AS OPTION.
- △ 8. REFER TO WARNING LABEL ON ON REAR OF UNIT FOR SCREW MOUNTING.

THIS DRAWING AND SPECIFICATIONS HEREIN ARE THE PROPERTY OF SCHNEIDER ELECTRIC AND SHALL NOT BE COPIED, REPRODUCED OR USED IN WHOLE OR IN PART, AS THE BASIS FOR THE MANUFACTURE OR SALE OF ITEMS WITHOUT WRITTEN PERMISSION FROM SCHNEIDER ELECTRIC. THIS DRAWING IS BASED UPON LATEST AVAILABLE INFORMATION AND IS SUBJECT TO CHANGE WITHOUT NOTICE.

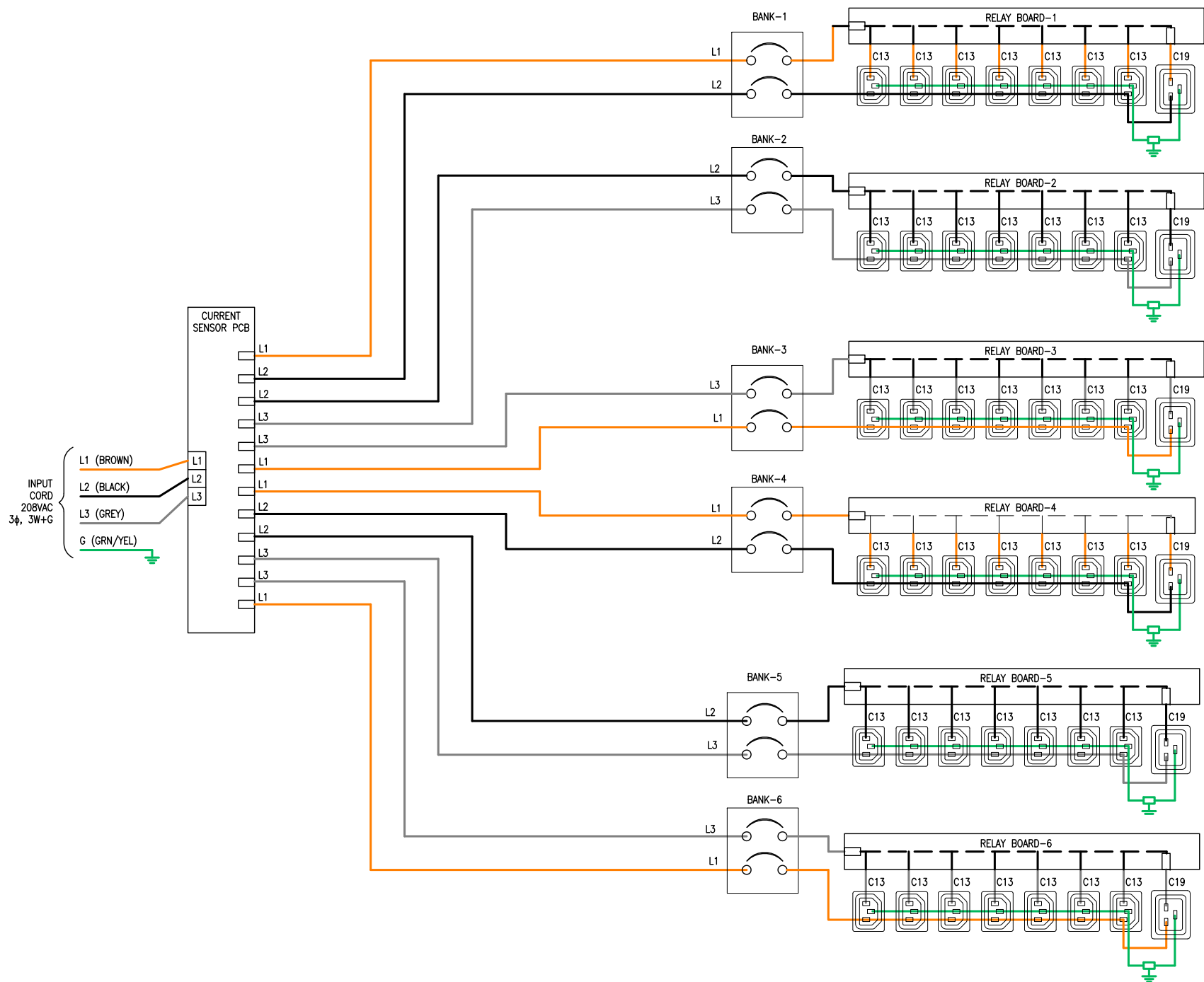


TITLE: RACK PDU2G, SWITCHED
ZERO U, 17.2 kW, 208V
INPUT: IEC309 60A
OUTPUT: (42) C13 AND (6) C19
GENERAL ARRANGEMENT

PROJECT: SUBMITTAL DRAWINGS SHEET 1 OF 2

DWG NO:	AP8967	REV:	0
DRAWN:	JAYAPRAKASH	DATE:	03-MAR-16
ENGINEER:	K RICK	DATE:	30-MAR-16
APPROVED:	M FIACCO	DATE:	30-MAR-16

FIRST ANGLE PROJECTION



- NOTES:**
1. INSTALLATION SHALL COMPLY WITH ALL APPLICABLE NATIONAL, STATE AND LOCAL ELECTRICAL REGULATIONS.
 2. REFER TO PRODUCT DOCUMENTATION FOR ADDITIONAL DETAILS PRIOR TO INSTALLATION AND SITE PREPARATION WORK.
 3. DRAWING DEPICTS POWER SYSTEM CONNECTIONS AND IS NOT REPRESENTATIVE OF PHYSICAL LAYOUT. REFER TO MECHANICAL DRAWINGS FOR PHYSICAL LAYOUT.

THIS DRAWING AND SPECIFICATIONS HEREIN ARE THE PROPERTY OF SCHNEIDER ELECTRIC AND SHALL NOT BE COPIED, REPRODUCED OR USED IN WHOLE OR IN PART, AS THE BASIS FOR THE MANUFACTURE OR SALE OF ITEMS WITHOUT WRITTEN PERMISSION FROM SCHNEIDER ELECTRIC. THIS DRAWING IS BASED UPON LATEST AVAILABLE INFORMATION AND IS SUBJECT TO CHANGE WITHOUT NOTICE.



TITLE: RACK PDU2G, SWITCHED
 ZERO U, 17.2 kW, 208V
 INPUT: IEC309 60A
 OUTPUT: (42) C13 AND (6) C19
 ELECTRICAL SCHEMATIC

PROJECT: SUBMITTAL DRAWINGS SHEET 2 OF 2

DWG NO:	AP8967	REV:	0
DRAWN:	JAYAPRAKASH	DATE:	03-MAR-16
ENGINEER:	K RICK	DATE:	30-MAR-16
APPROVED:	M FIACCO	DATE:	30-MAR-16
		ANGLE PROJECTION:	N.A