

THIS DOCUMENT IS SUPPLEMENTARY INFORMATION FOR MARINE APPLICATIONS TO PRODUCTS: GVMPB160KHS, GVMSB160KHS, GVMPB200KHS AND GVMSB200KHS

- NOTES:**
1. INSTALLATION SHALL COMPLY WITH ALL APPLICABLE NATIONAL, STATE AND LOCAL ELECTRICAL REGULATIONS.
 2. REFER TO PRODUCT DOCUMENTATION FOR ADDITIONAL DETAILS PRIOR TO INSTALLATION AND SITE PREPARATION WORK.
 3. THE UNIT IS IP32 INGRESS PROTECTED IN ACCORDANCE WITH IEC60529.

THIS DRAWING AND SPECIFICATIONS HEREIN ARE THE PROPERTY OF SCHNEIDER ELECTRIC AND SHALL NOT BE COPIED, REPRODUCED OR USED IN WHOLE OR IN PART, AS THE BASIS FOR THE MANUFACTURE OR SALE OF ITEMS WITHOUT WRITTEN PERMISSION FROM SCHNEIDER ELECTRIC. THIS DRAWING IS BASED UPON LATEST AVAILABLE INFORMATION AND IS SUBJECT TO CHANGE WITHOUT NOTICE.



TITLE: Galaxy VM
TYPICAL MARINE APPLICATION DETAILS
FOR UPS
ISOMETRIC VIEWS

DWG NO: GVMARINE160-200KHS

REV. 0

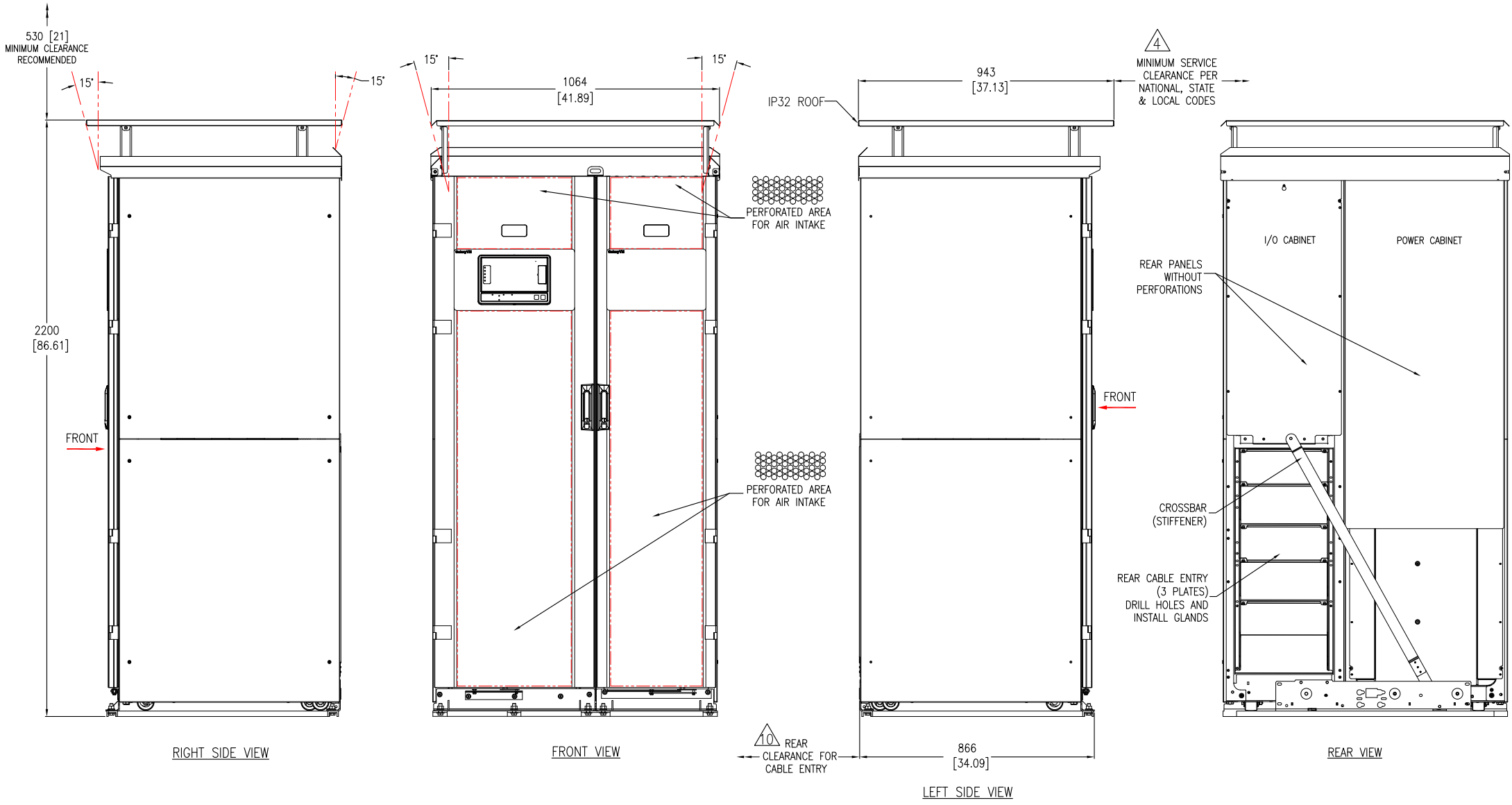
DRAWN: JAYAPRAKASH 20-MAR-15

ENGINEER: NR/WZ/MP/CA/TA 12-MAY-15

APPROVED: CS/SM/HD/LS/MG/MW 12-MAY-15

FIRST ANGLE PROJECTION

PROJECT: SUBMITTAL DRAWINGS SHEET 1 OF 3



- NOTES:**
1. INSTALLATION SHALL COMPLY WITH ALL APPLICABLE NATIONAL, STATE AND LOCAL ELECTRICAL REGULATIONS.
 2. REFER TO PRODUCT DOCUMENTATION FOR ADDITIONAL DETAILS PRIOR TO INSTALLATION AND SITE PREPARATION WORK.
 3. ALL DIMENSIONS ARE IN MILLIMETERS [INCHES].
 - △ 4. A MINIMUM CLEARANCE OF 800mm [32 Inches] IS REQUIRED FOR FRONT ACCESS AND SERVICE.
 5. ALL DIMENSIONS EXCLUDES SCREW PROJECTIONS OUTSIDE THE ENCLOSURE.
 6. OPERATING TEMPERATURE: 0°C TO 40°C [32°F TO 104°F]
 7. PROTECTION CLASS: IP32
 8. COLOUR: RAL 9003 WHITE.
 9. DOOR SWING: FREELY ROTATES BY 180°.
 - △ 10. CABLE ENTRY IS FROM REAR OR BOTTOM OF THE UNIT.
REAR CLEARANCE OF 100mm [3.94 Inches] IS REQUIRED FOR CABLE ENTRY.

THIS DRAWING AND SPECIFICATIONS HEREIN ARE THE PROPERTY OF SCHNEIDER ELECTRIC AND SHALL NOT BE COPIED, REPRODUCED OR USED IN WHOLE OR IN PART, AS THE BASIS FOR THE MANUFACTURE OR SALE OF ITEMS WITHOUT WRITTEN PERMISSION FROM SCHNEIDER ELECTRIC. THIS DRAWING IS BASED UPON LATEST AVAILABLE INFORMATION AND IS SUBJECT TO CHANGE WITHOUT NOTICE.

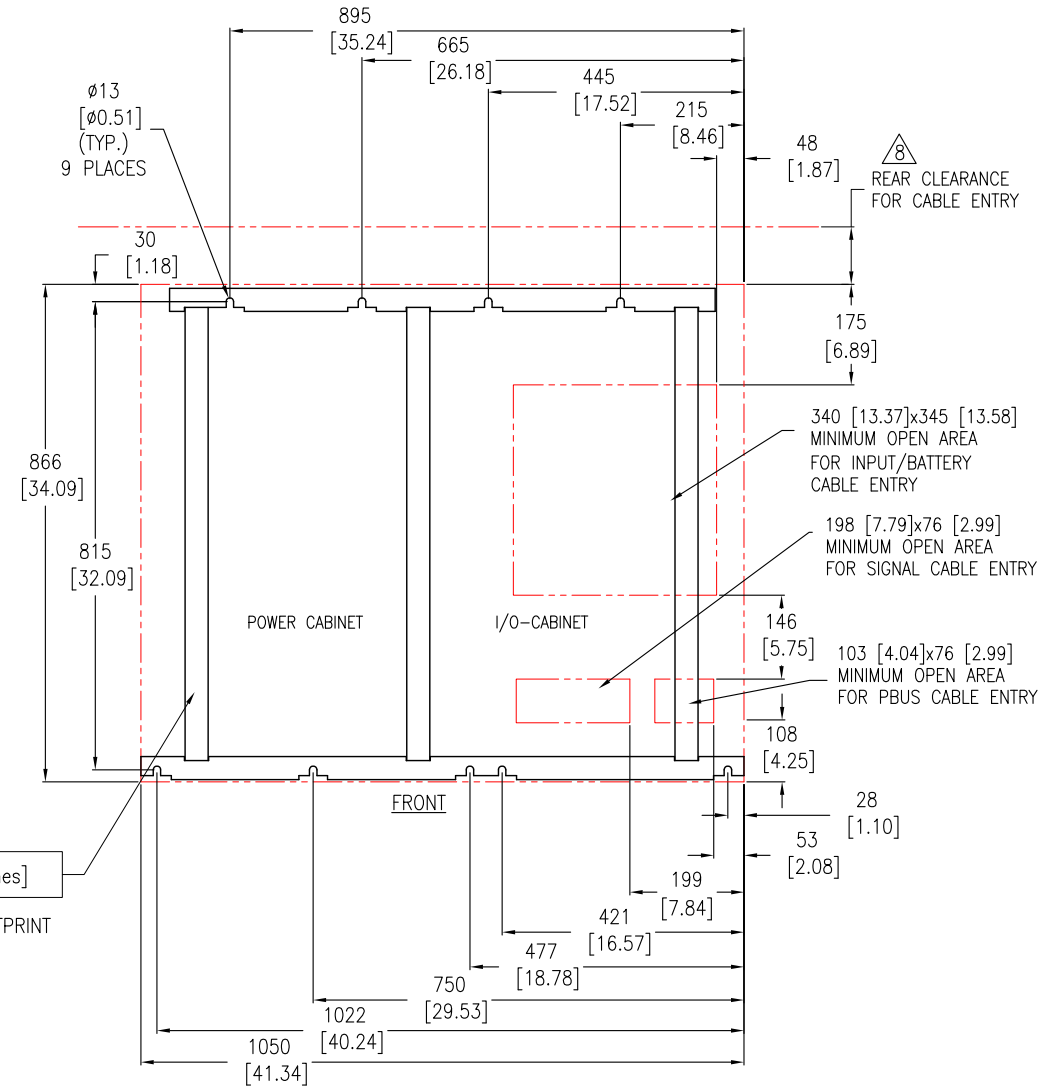
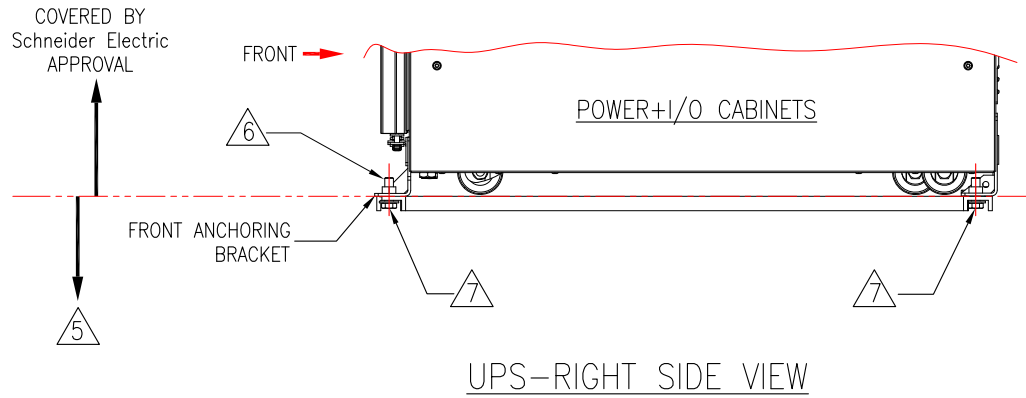


TITLE: Galaxy VM
TYPICAL MARINE APPLICATION DETAILS
FOR UPS
GENERAL ARRANGEMENT

DWG NO:	GVMMARINE160-200KHS	REV:	0
DRAWN:	JAYAPRAKASH	20-MAR-15	FIRST ANGLE PROJECTION
ENGINEER:	NR/WZ/MP/CA/TA	12-MAY-15	
APPROVED:	CS/SM/HD/LS/MG/MW	12-MAY-15	

PROJECT: SUBMITTAL DRAWINGS SHEET 2 OF 3

SITE PREPARATION INSTRUCTIONS



UPS-BASE TOP VIEW

- NOTES:
1. INSTALLATION SHALL COMPLY WITH ALL APPLICABLE NATIONAL, STATE AND LOCAL ELECTRICAL REGULATIONS.
 2. REFER TO PRODUCT DOCUMENTATION FOR ADDITIONAL DETAILS PRIOR TO INSTALLATION AND SITE PREPARATION WORK.
 3. THIS DRAWING PROVIDES MINIMUM DETAILS OF REQUIREMENTS TO SITE PREPARATION PRIOR TO INSTALLING THE UPS.
 4. ALL DIMENSIONS ARE IN MILLIMETERS [INCHES].
 - △ 5. Schneider Electric DOES NOT UNDERTAKE ANY RESPONSIBILITY FOR CORRECT ALIGNMENT, WELDING, SURFACE PROTECTION AND INSTALLATION.
 - △ 6. VIBRATION TEST WAS PERFORMED WITH 9xM12 BOLTS - GRADE 8.8
 - △ 7. TORQUE THE BOLTS TO 88Nm.
 - △ 8. CABLE ENTRY IS FROM REAR OR BOTTOM OF THE UNIT. REAR CLEARANCE OF 100mm [3.94 Inches] IS REQUIRED FOR CABLE ENTRY.

THIS DRAWING AND SPECIFICATIONS HEREIN ARE THE PROPERTY OF SCHNEIDER ELECTRIC AND SHALL NOT BE COPIED, REPRODUCED OR USED IN WHOLE OR IN PART, AS THE BASIS FOR THE MANUFACTURE OR SALE OF ITEMS WITHOUT WRITTEN PERMISSION FROM SCHNEIDER ELECTRIC. THIS DRAWING IS BASED UPON LATEST AVAILABLE INFORMATION AND IS SUBJECT TO CHANGE WITHOUT NOTICE.



TITLE: Galaxy VM SYSTEM BYPASS PANEL FOR UPS SITE PREPARATION

PROJECT: SUBMITTAL DRAWINGS SHEET 3 OF 3

DWG NO: GVMMARINE160-200KHS

DRAWN: JAYAPRAKASH 20-MAR-15

ENGINEER: NR/WZ/MP/CA/TA 12-MAY-15

APPROVED: CS/SH/HD/LS/MG/MW 12-MAY-15

REV: 0

FIRST ANGLE PROJECTION