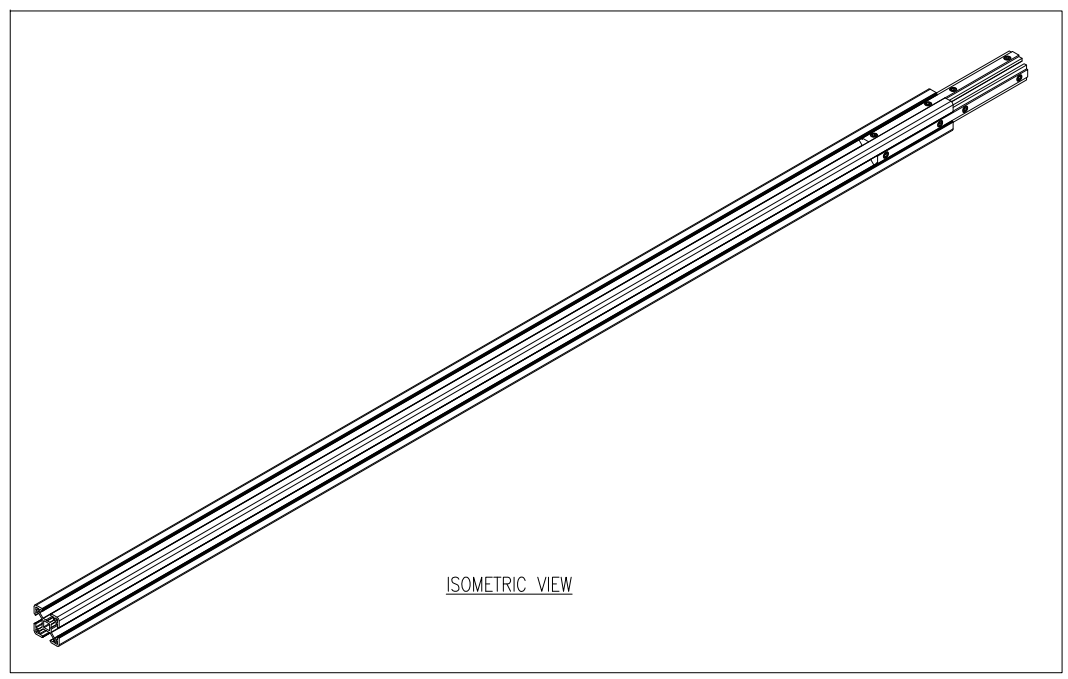
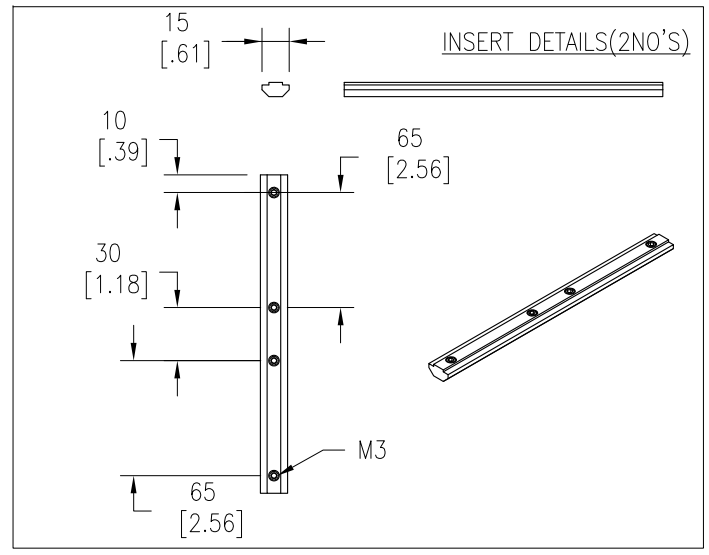
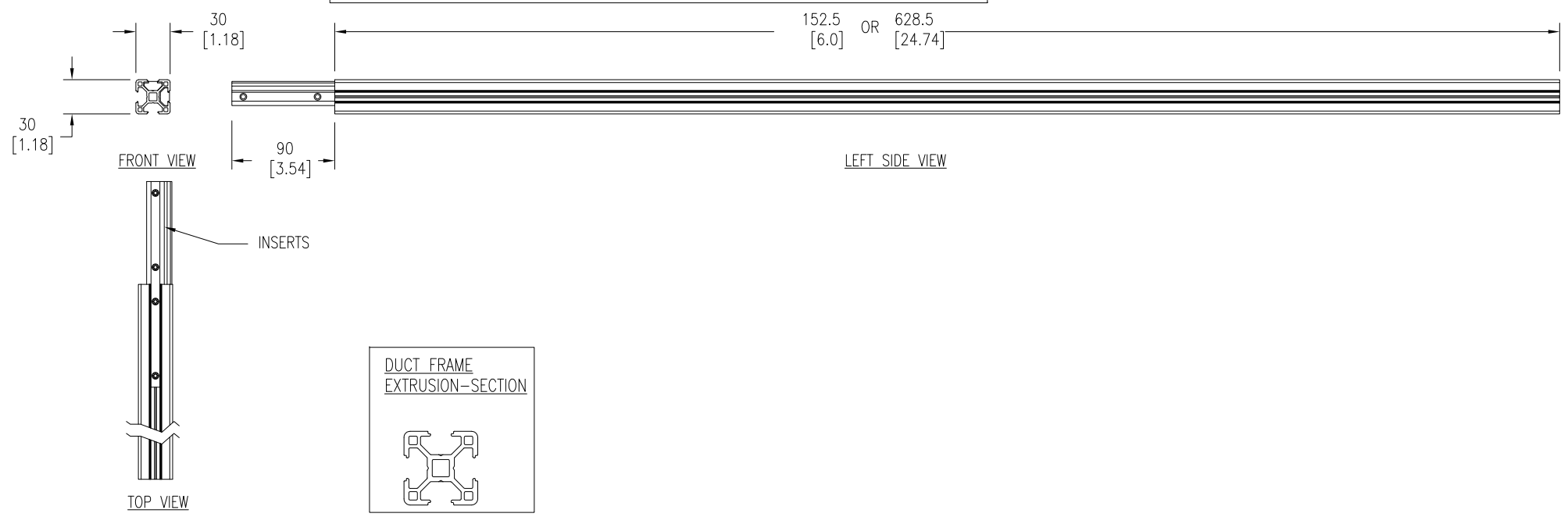


DUCT FRAME EXTENSION, END OF AISLE 1200-1800[48-72]



NOTES:

1. COMPLY WITH ALL APPLICABLE NATIONAL AND LOCAL ELECTRICAL REGULATIONS.
2. REFER TO PRODUCT DOCUMENTATION FOR ADDITIONAL DETAILS PRIOR TO INSTALLATION AND SITE PREPARATION WORK.
3. ALL DIMENSIONS ARE IN MILLIMETERS [INCHES].
4. NET WEIGHT (ALL BRACKETS INCLUDED) IS 6.21kg [13.67lbs]

THIS DRAWING AND SPECIFICATIONS HEREIN ARE THE PROPERTY OF SCHNEIDER ELECTRIC AND SHALL NOT BE COPIED, REPRODUCED OR USED IN WHOLE OR IN PART, AS THE BASIS FOR THE MANUFACTURE OR SALE OF ITEMS WITHOUT WRITTEN PERMISSION FROM SCHNEIDER ELECTRIC. THIS DRAWING IS BASED UPON LATEST AVAILABLE INFORMATION AND IS SUBJECT TO CHANGE WITHOUT NOTICE.



TITLE:
Eco-Aisle (TM) Aisle Containment System
DUCT FRAME EXTENSION,
END OF AISLE 1200-1800[48-72]

PROJECT: SUBMITTAL DRAWINGS SHEET 1 OF 1

DWG NO:	ACDC2311	REV.	0
DRAWN BY:	K.NAGENDRA	04-JUL-13	FIRST
ENGINEER:	RUSTIN SHI/MARK MENG	04-JUL-13	ANGLE
APPROVED BY:	AARON GRAFF	04-JUL-13	PROJ