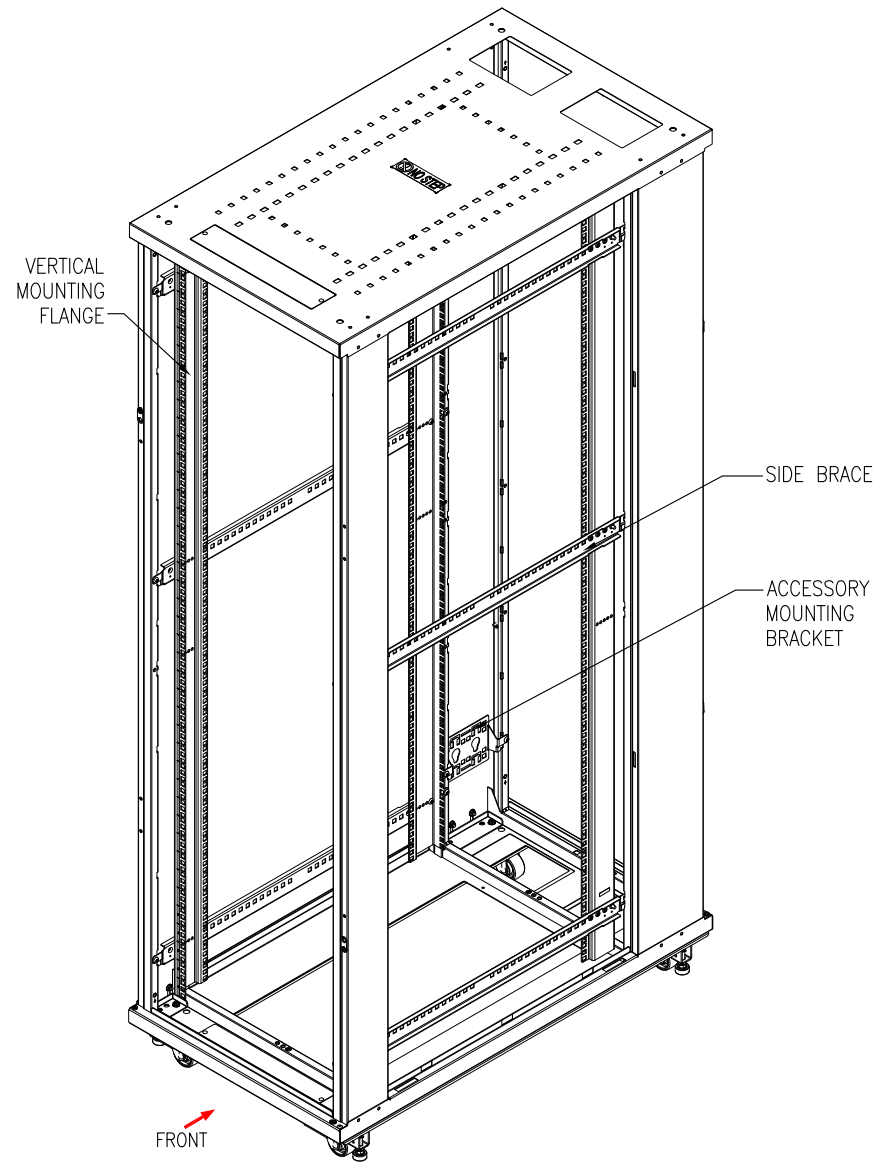


ISOMETRIC VIEW



ISOMETRIC VIEW
(DOORS & SIDE PANELS REMOVED)

NOTES:

1. COMPLY WITH ALL APPLICABLE NATIONAL, STATE AND LOCAL ELECTRICAL REGULATIONS.
2. REFER TO THE PRODUCT DOCUMENTATION FOR ADDITIONAL DETAILS PRIOR TO INSTALLATION AND SITE PREPARATION WORK.

THIS DRAWING AND SPECIFICATIONS HEREIN ARE THE PROPERTY OF SCHNEIDER ELECTRIC AND SHALL NOT BE COPIED, REPRODUCED OR USED IN WHOLE OR IN PART, AS THE BASIS FOR THE MANUFACTURE OR SALE OF ITEMS WITHOUT WRITTEN PERMISSION FROM SCHNEIDER ELECTRIC. THIS DRAWING IS BASED UPON LATEST AVAILABLE INFORMATION AND IS SUBJECT TO CHANGE WITHOUT NOTICE.



TITLE:
NetShelter SV 42U
ENCLOSURE WITH SIDES UNASSEMBLED
600mm WIDE x 1060mm DEEP
ISOMETRIC VIEWS

DWG NO: AR2400FP1 REV. 0

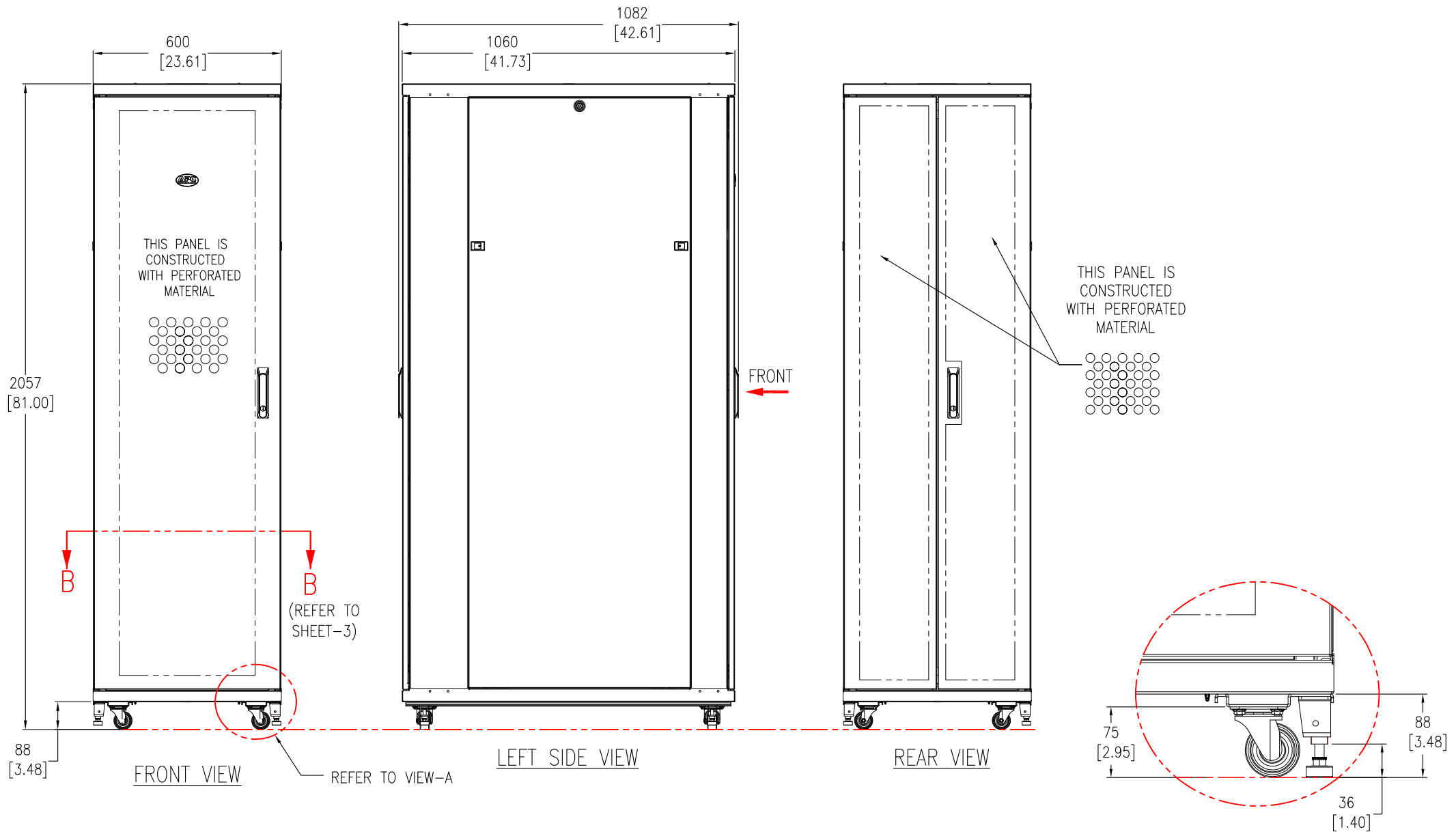
DRAWN BY: JAYAPRAKASH 03-APR-13

ENGINEER: T Xu/J KUMMER 03-APR-13

APPROVED BY: SCOTT VOCCIO 03-APR-13

PROJECT: SUBMITTAL DRAWINGS SHEET 1 OF 5

FIRST ANGLE PROJECTION



NOTES:

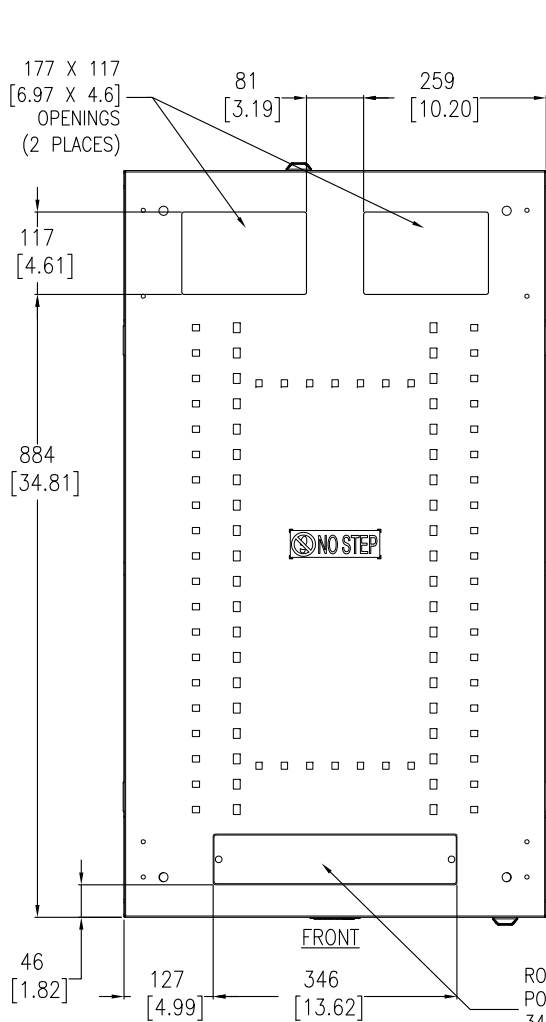
1. COMPLY WITH ALL APPLICABLE NATIONAL, STATE AND LOCAL ELECTRICAL REGULATIONS.
2. REFER TO THE PRODUCT DOCUMENTATION FOR ADDITIONAL DETAILS PRIOR TO INSTALLATION AND SITE PREPARATION WORK.
3. ALL DIMENSIONS ARE IN MILLIMETERS [INCHES].
4. NET WEIGHT OF ENCLOSURE IS 112.20 Kg [246.84 lb].
5. CABLE ENTRY IS TOP OR BOTTOM OF ENCLOSURE.
6. FRONT AND REAR SERVICE ACCESS REQUIRED.
7. AIR FLOW AND SERVICE REQUIREMENTS, AS WELL AS MINIMUM CLEARANCE TO FIRE SUPPRESSION SYSTEMS SHOULD BE CONSIDERED WHEN LOCATING THE ENCLOSURE.

THIS DRAWING AND SPECIFICATIONS HEREIN ARE THE PROPERTY OF SCHNEIDER ELECTRIC AND SHALL NOT BE COPIED, REPRODUCED OR USED IN WHOLE OR IN PART, AS THE BASIS FOR THE MANUFACTURE OR SALE OF ITEMS WITHOUT WRITTEN PERMISSION FROM SCHNEIDER ELECTRIC. THIS DRAWING IS BASED UPON LATEST AVAILABLE INFORMATION AND IS SUBJECT TO CHANGE WITHOUT NOTICE.

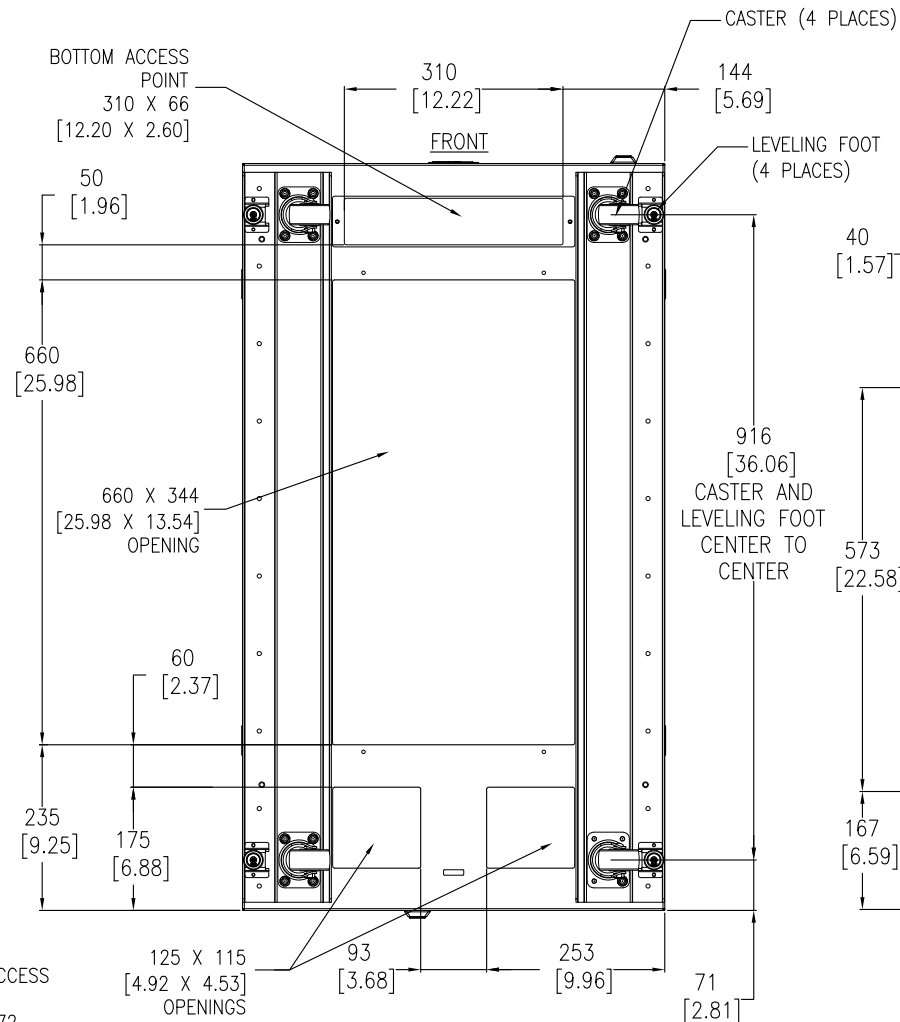


TITLE: NetShelter SV 42U ENCLOSURE WITH SIDES UNASSEMBLED 600mm WIDEx1060mm DEEP GENERAL ARRANGEMENT
PROJECT: SUBMITTAL DRAWINGS SHEET 2 OF 5

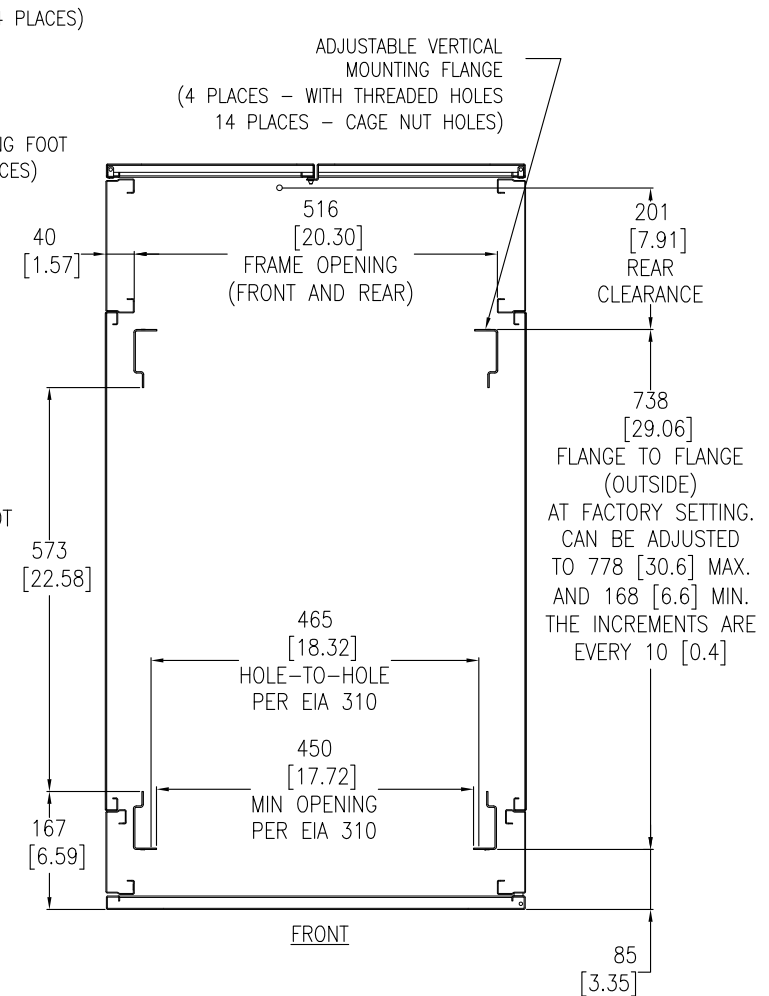
DWG NO: AR2400FP1 REV: 0
DRAWN BY: JAYAPRAKASH 03-APR-13
ENGINEER: T Xu/J KUMMER 03-APR-13
APPROVED BY: SCOTT VOCCIO 03-APR-13
FIRST ANGLE PROJECTION



TOP VIEW



BOTTOM VIEW



SECTION B-B
(VIEW FROM INSIDE ENCLOSURE
LOOKING DOWN)

NOTES:

1. COMPLY WITH ALL APPLICABLE NATIONAL, STATE AND LOCAL ELECTRICAL REGULATIONS.
2. REFER TO THE PRODUCT DOCUMENTATION FOR ADDITIONAL DETAILS PRIOR TO INSTALLATION AND SITE PREPARATION WORK.
3. ALL DIMENSIONS ARE IN MILLIMETERS [INCHES].

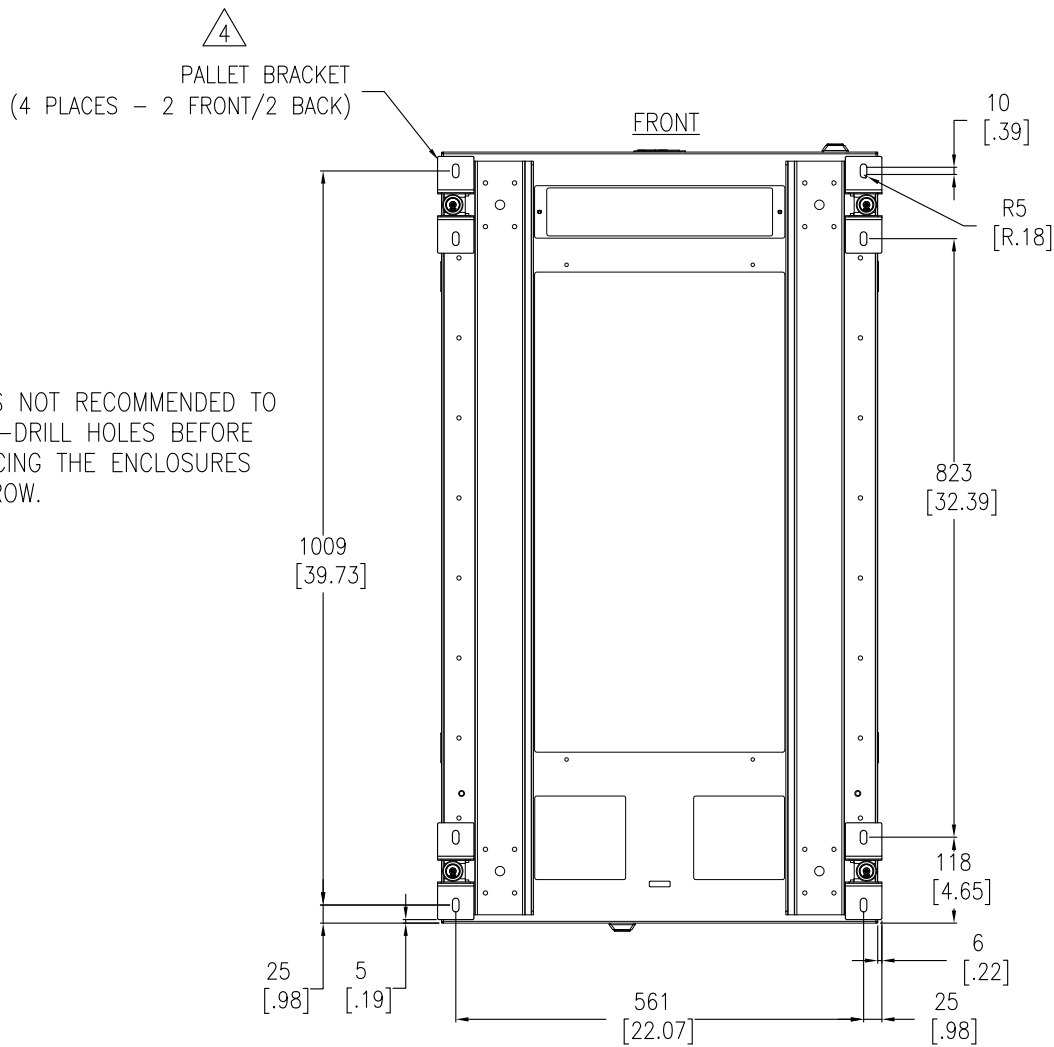
THIS DRAWING AND SPECIFICATIONS HEREIN ARE THE PROPERTY OF SCHNEIDER ELECTRIC AND SHALL NOT BE COPIED, REPRODUCED OR USED IN WHOLE OR IN PART, AS THE BASIS FOR THE MANUFACTURE OR SALE OF ITEMS WITHOUT WRITTEN PERMISSION FROM SCHNEIDER ELECTRIC. THIS DRAWING IS BASED UPON LATEST AVAILABLE INFORMATION AND IS SUBJECT TO CHANGE WITHOUT NOTICE.



TITLE: NetShelter SV 42U ENCLOSURE WITH SIDES UNASSEMBLED 600mm WIDEx1060mm DEEP TOP, BOTTOM AND SECTION VIEWS

PROJECT: SUBMITTAL DRAWINGS SHEET 3 OF 5

DWG NO: AR2400FP1	REV: 0
DRAWN BY: JAYAPYAKASH	03-APR-13
ENGINEER: T Xu/J KUMMER	03-APR-13
APPROVED BY: SCOTT VOCCIO	03-APR-13
	FIRST ANGLE PROJECTION



BOTTOM VIEW
WITH PALLET BRACKETS FOR ANCHORING
(CASTERS NOT SHOWN FOR CLARITY)

IT IS NOT RECOMMENDED TO PRE-DRILL HOLES BEFORE PLACING THE ENCLOSURES IN ROW.

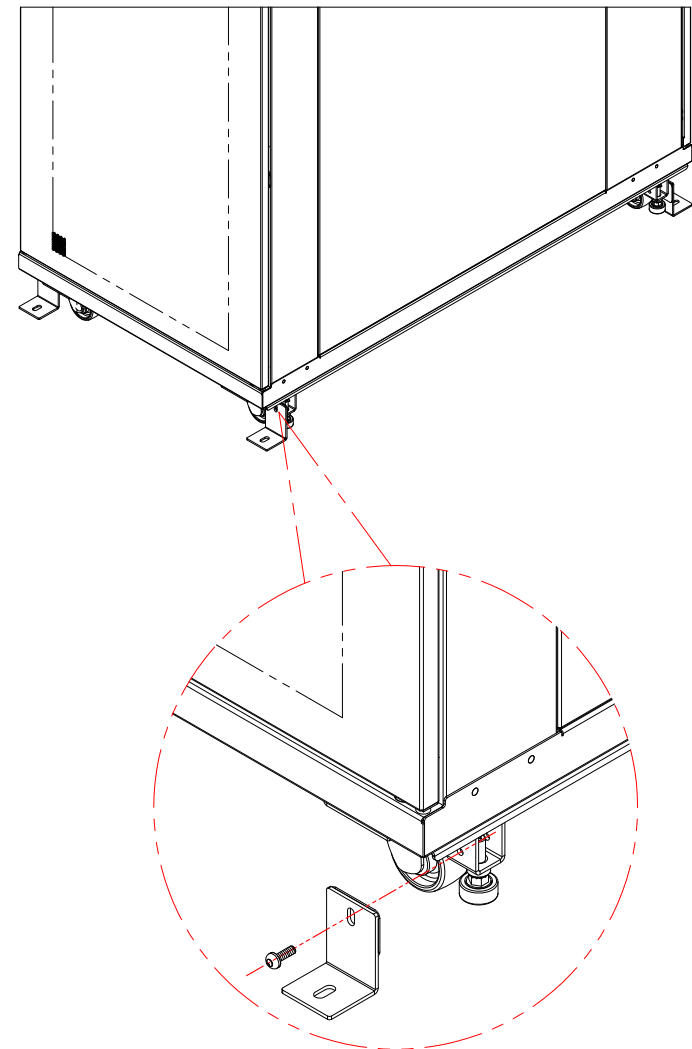
NOTES:

1. COMPLY WITH ALL APPLICABLE NATIONAL, STATE AND LOCAL ELECTRICAL REGULATIONS.
2. REFER TO THE PRODUCT DOCUMENTATION FOR ADDITIONAL DETAILS PRIOR TO INSTALLATION AND SITE PREPARATION WORK.
3. ALL DIMENSIONS ARE IN MILLIMETERS [INCHES].

△4. PALLET/ANCHORING BRACKETS ARE PROVIDED WITH THE ENCLOSURE AND ARE SECURED TO THE ENCLOSURE AND PALLET FOR SHIPMENT. RETAIN THE PALLET BRACKETS FROM SHIPMENT. THESE BRACKETS ARE USED TO ANCHOR THE ENCLOSURE ONCE INSTALLED. PALLET/ANCHORING BRACKETS CAN BE INSTALLED EITHER INSIDE OR OUTSIDE THE NetShelter WITH TWO AT FRONT AND TWO IN BACK.

STABILIZING THE ENCLOSURE:

TO PREVENT THE ENCLOSURE FROM MOVING FROM ITS FINAL LOCATION (IF NOT JOINED WITH ANOTHER COMPONENT, USE PALLET/ANCHORING BRACKET) ATTACH THE PALLET/ANCHORING BRACKETS TO THE ENCLOSURE AS SHOWN. USE CODE COMPLIANT FASTENERS TO SECURE THE ENCLOSURE TO THE FLOOR.



(4 PLACES - 2-FRONT/2-BACK)
ENLARGED VIEW

THIS DRAWING AND SPECIFICATIONS HEREIN ARE THE PROPERTY OF SCHNEIDER ELECTRIC AND SHALL NOT BE COPIED, REPRODUCED OR USED IN WHOLE OR IN PART, AS THE BASIS FOR THE MANUFACTURE OR SALE OF ITEMS WITHOUT WRITTEN PERMISSION FROM SCHNEIDER ELECTRIC. THIS DRAWING IS BASED UPON LATEST AVAILABLE INFORMATION AND IS SUBJECT TO CHANGE WITHOUT NOTICE.



TITLE: NetShelter SV 42U
ENCLOSURE WITH SIDES UNASSEMBLED
600mm WIDEx1060mm DEEP
ANCHORING DETAILS

DWG NO: AR2400FP1

REV: 0

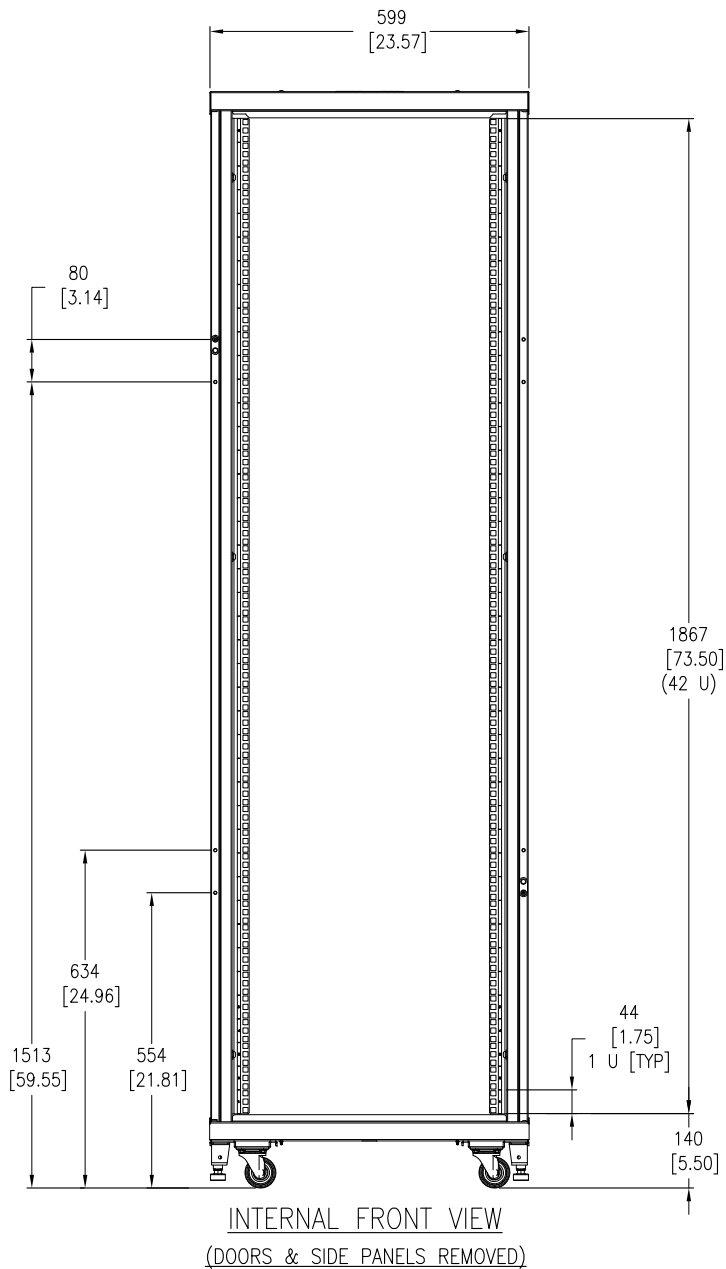
DRAWN BY: JAYAPRAKASH 03-APR-13
ENGINEER: T Xu/J KUMMER 03-APR-13

FIRST ANGLE PROJECTION

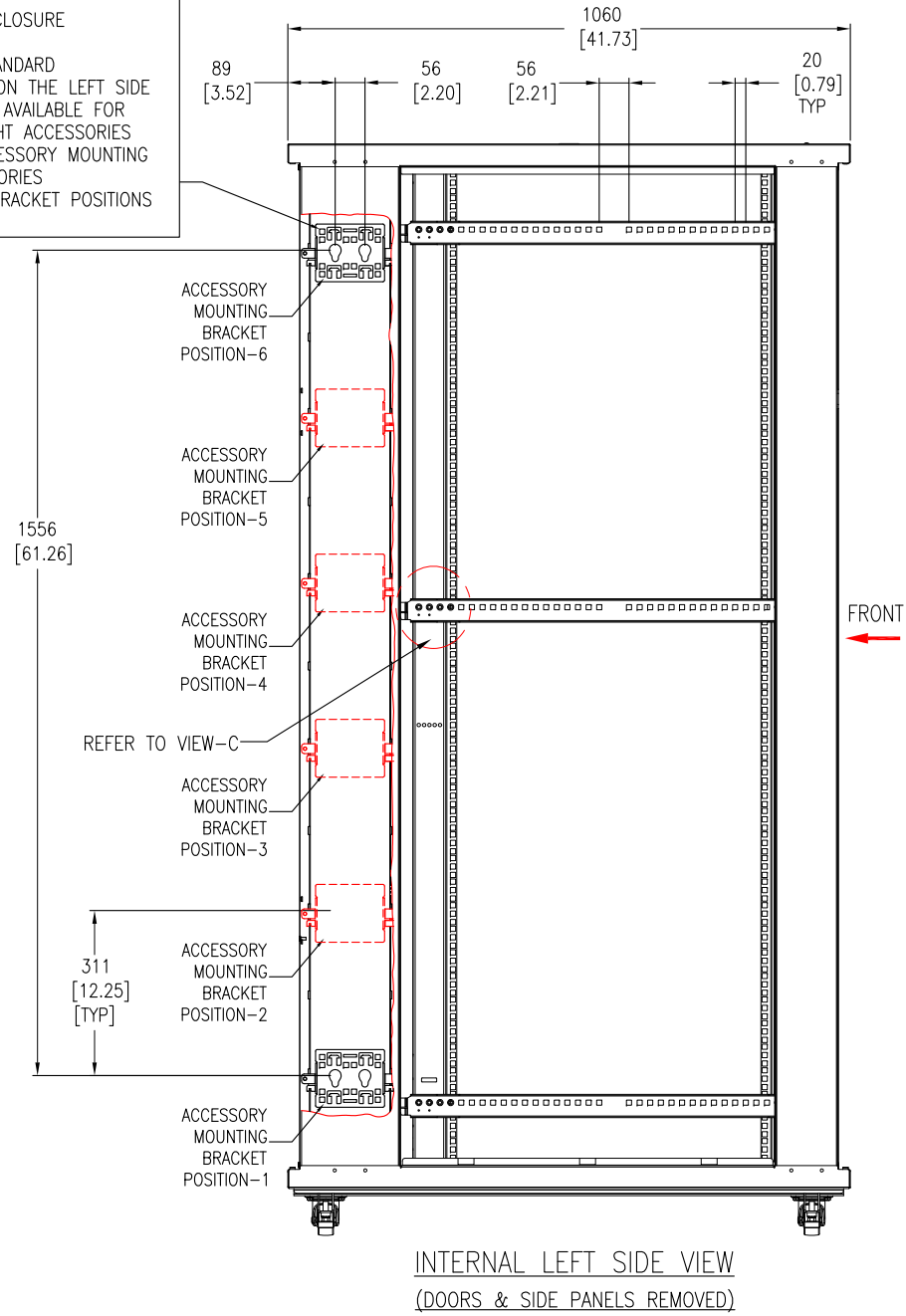
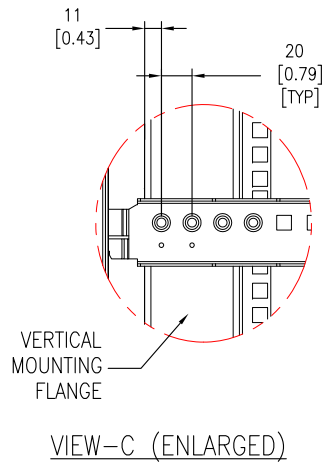
PROJECT: SUBMITTAL DRAWINGS SHEET 4 OF 5

APPROVED BY: SCOTT VOCCIO 03-APR-13

ANGLE PROJECTION



NOTE:
 THERE ARE SIX POSITIONS ON EACH SIDE OF THE ENCLOSURE FOR INSTALLING ACCESSORY MOUNTING BRACKETS. 4 ACCESSORY MOUNTING BRACKETS ARE PROVIDED STANDARD WITH THE ENCLOSURE, 2 ON THE RIGHT SIDE AND 2 ON THE LEFT SIDE LOCATED AT POSITIONS 6 & 1. OTHER BRACKETS ARE AVAILABLE FOR PURCHASE AS SKU AR824002. FULL ENCLOSURE HEIGHT ACCESSORIES E.G. VERTICAL 0-U RACK PDUs UTILIZE STANDARD ACCESSORY MOUNTING BRACKET POSITIONS 6 & 1 AND HALF HEIGHT ACCESSORIES E.G. VERTICAL CABLE ORGANIZERS UTILIZE MOUNTING BRACKET POSITIONS 6 & 4 OR 3 & 1.



- NOTES:**
1. COMPLY WITH ALL APPLICABLE NATIONAL, STATE AND LOCAL ELECTRICAL REGULATIONS.
 2. REFER TO THE PRODUCT DOCUMENTATION FOR ADDITIONAL DETAILS PRIOR TO INSTALLATION AND SITE PREPARATION WORK.
 3. ALL DIMENSIONS ARE IN MILLIMETERS [INCHES].

THIS DRAWING AND SPECIFICATIONS HEREIN ARE THE PROPERTY OF SCHNEIDER ELECTRIC AND SHALL NOT BE COPIED, REPRODUCED OR USED IN WHOLE OR IN PART, AS THE BASIS FOR THE MANUFACTURE OR SALE OF ITEMS WITHOUT WRITTEN PERMISSION FROM SCHNEIDER ELECTRIC. THIS DRAWING IS BASED UPON LATEST AVAILABLE INFORMATION AND IS SUBJECT TO CHANGE WITHOUT NOTICE.



TITLE: NetShelter SV 42U ENCLOSURE WITH SIDES UNASSEMBLED 600mm WIDE x 1060mm DEEP INTERNAL VIEWS
 PROJECT: SUBMITTAL DRAWINGS SHEET 5 OF 5

DWG NO: AR2400FP1
 DRAWN BY: JAYAPRAKASH 03-APR-13
 ENGINEER: T Xu/J KUMMER 03-APR-13
 APPROVED BY: SCOTT VOCCIO 03-APR-13

REV: 0
 FIRST ANGLE PROJECTION