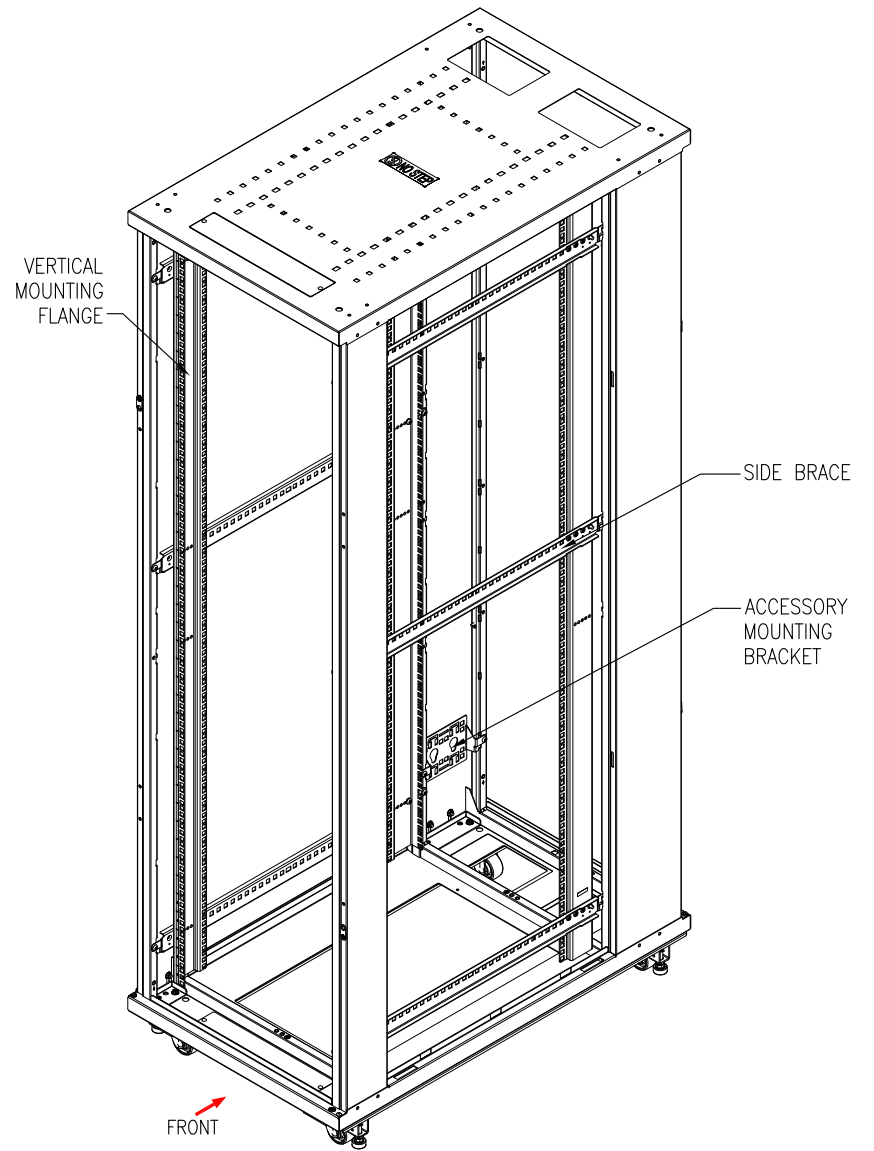


ISOMETRIC VIEW



ISOMETRIC VIEW
(DOORS & SIDE PANELS REMOVED)

NOTES:

1. COMPLY WITH ALL APPLICABLE NATIONAL, STATE AND LOCAL ELECTRICAL REGULATIONS.
2. REFER TO THE PRODUCT DOCUMENTATION FOR ADDITIONAL DETAILS PRIOR TO INSTALLATION AND SITE PREPARATION WORK.

THIS DRAWING AND SPECIFICATIONS HEREIN ARE THE PROPERTY OF SCHNEIDER ELECTRIC AND SHALL NOT BE COPIED, REPRODUCED OR USED IN WHOLE OR IN PART, AS THE BASIS FOR THE MANUFACTURE OR SALE OF ITEMS WITHOUT WRITTEN PERMISSION FROM SCHNEIDER ELECTRIC. THIS DRAWING IS BASED UPON LATEST AVAILABLE INFORMATION AND IS SUBJECT TO CHANGE WITHOUT NOTICE.



TITLE:
NetShelter SV 42U
ENCLOSURE WITH SIDES
600mm WIDEx1000mm DEEP
ISOMETRIC VIEWS

DWG NO: AR2200

REV. 0

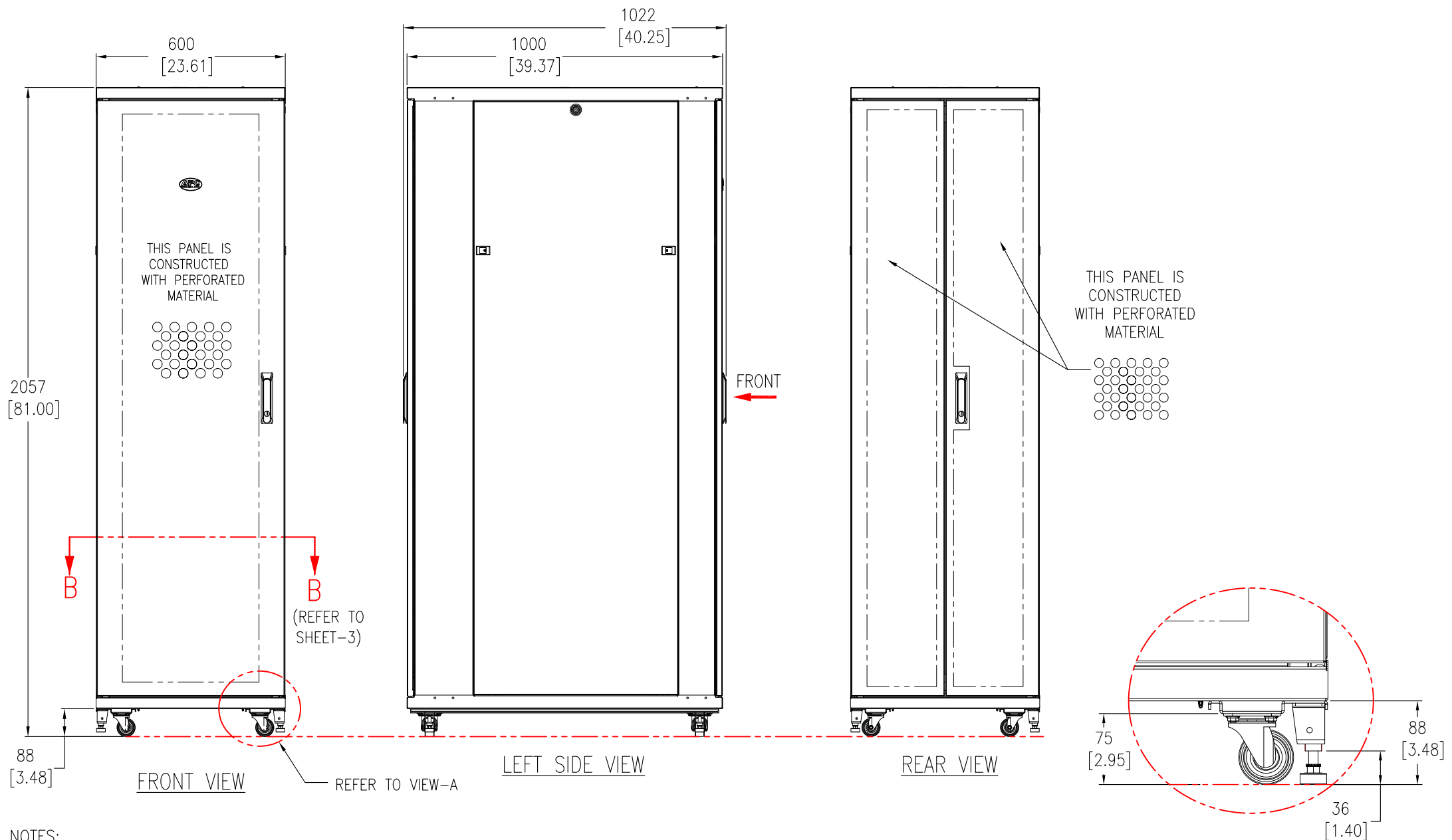
DRAWN BY: JAYAPRAKASH 22-FEB-13

ENGINEER: T Xu/J KUMMER 01-MAR-13

APPROVED BY: SCOTT VOCCIO 01-MAR-13

PROJECT: SUBMITTAL DRAWINGS SHEET 1 OF 5

FIRST
ANGLE
PROJECTION



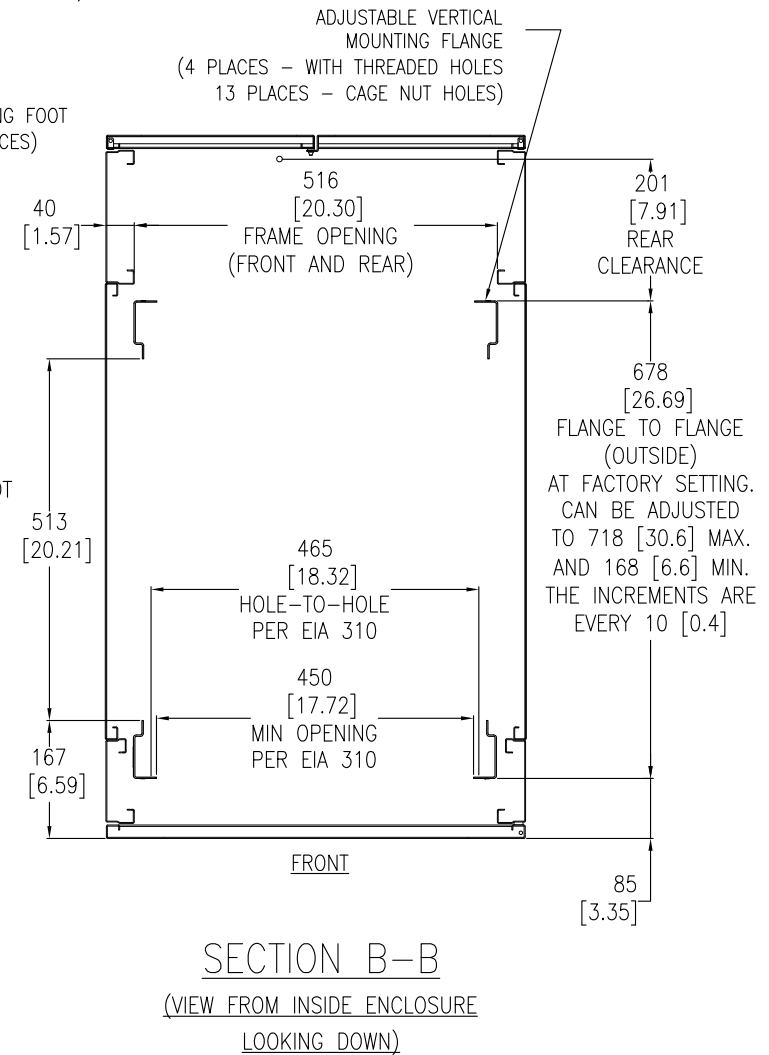
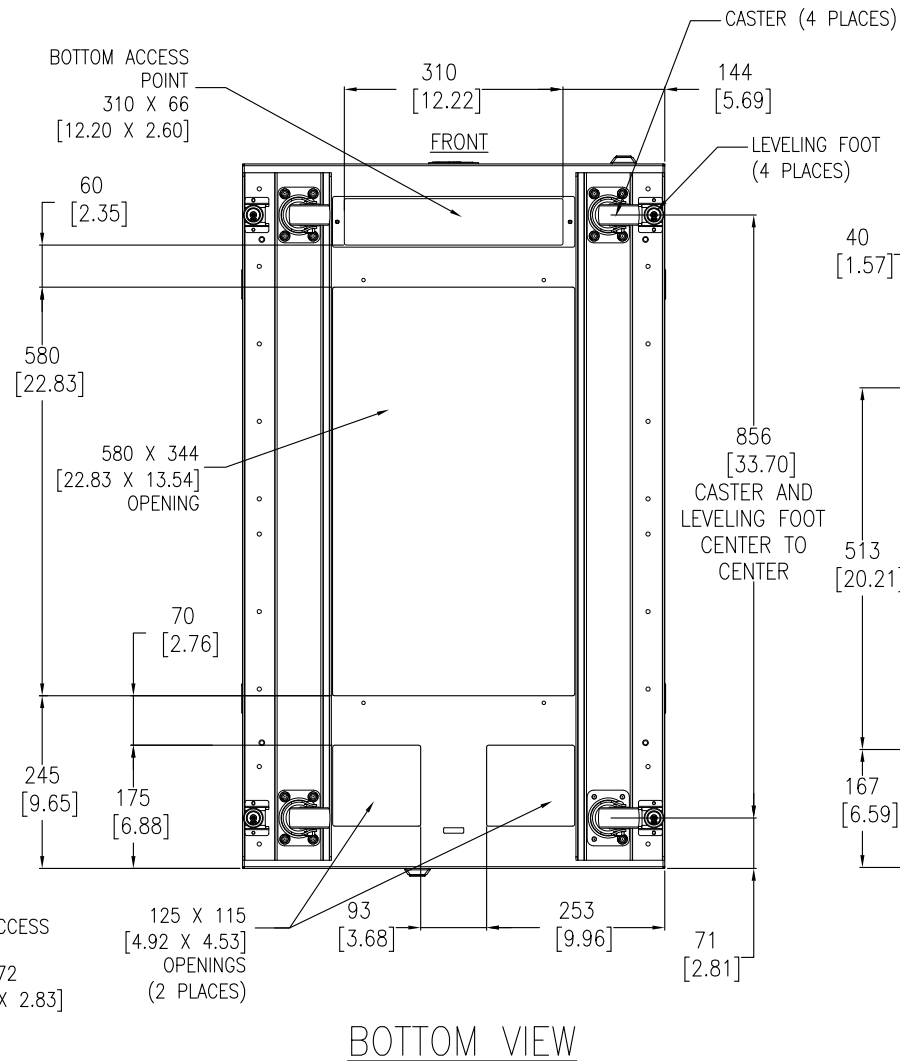
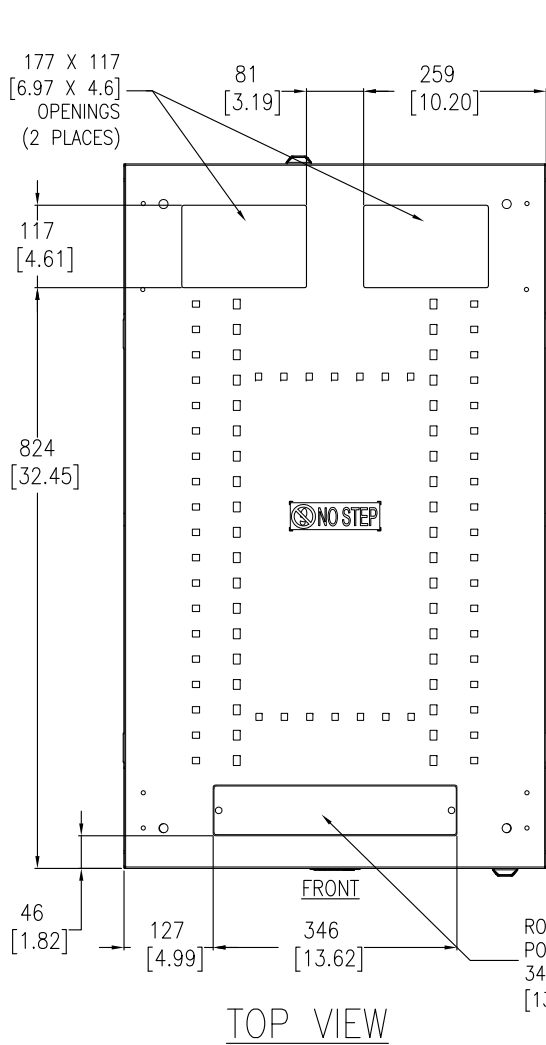
NOTES:

1. COMPLY WITH ALL APPLICABLE NATIONAL, STATE AND LOCAL ELECTRICAL REGULATIONS.
2. REFER TO THE PRODUCT DOCUMENTATION FOR ADDITIONAL DETAILS PRIOR TO INSTALLATION AND SITE PREPARATION WORK.
3. ALL DIMENSIONS ARE IN MILLIMETERS [INCHES].
4. NET WEIGHT OF ENCLOSURE IS 108.8 Kg [239.36 lb].
5. CABLE ENTRY IS TOP OR BOTTOM OF ENCLOSURE.
6. FRONT AND REAR SERVICE ACCESS REQUIRED.
7. AIR FLOW AND SERVICE REQUIREMENTS, AS WELL AS MINIMUM CLEARANCE TO FIRE SUPPRESSION SYSTEMS SHOULD BE CONSIDERED WHEN LOCATING THE ENCLOSURE.

THIS DRAWING AND SPECIFICATIONS HEREIN ARE THE PROPERTY OF SCHNEIDER ELECTRIC AND SHALL NOT BE COPIED, REPRODUCED OR USED IN WHOLE OR IN PART, AS THE BASIS FOR THE MANUFACTURE OR SALE OF ITEMS WITHOUT WRITTEN PERMISSION FROM SCHNEIDER ELECTRIC. THIS DRAWING IS BASED UPON LATEST AVAILABLE INFORMATION AND IS SUBJECT TO CHANGE WITHOUT NOTICE.



TITLE: NetShelter SV 42U ENCLOSURE WITH SIDES 600mm WIDEx1000mm DEEP GENERAL ARRANGEMENT	DWG NO: AR2200	REV: 0
PROJECT: SUBMITTAL DRAWINGS SHEET 2 OF 5	DRAWN BY: JAYAPRAKASH 22-FEB-13	FIRST ANGLE PROJECTION
	ENGINEER: T Xu/J KUMMER 01-MAR-13	
	APPROVED BY: SCOTT VOCCIO 01-MAR-13	



NOTES:

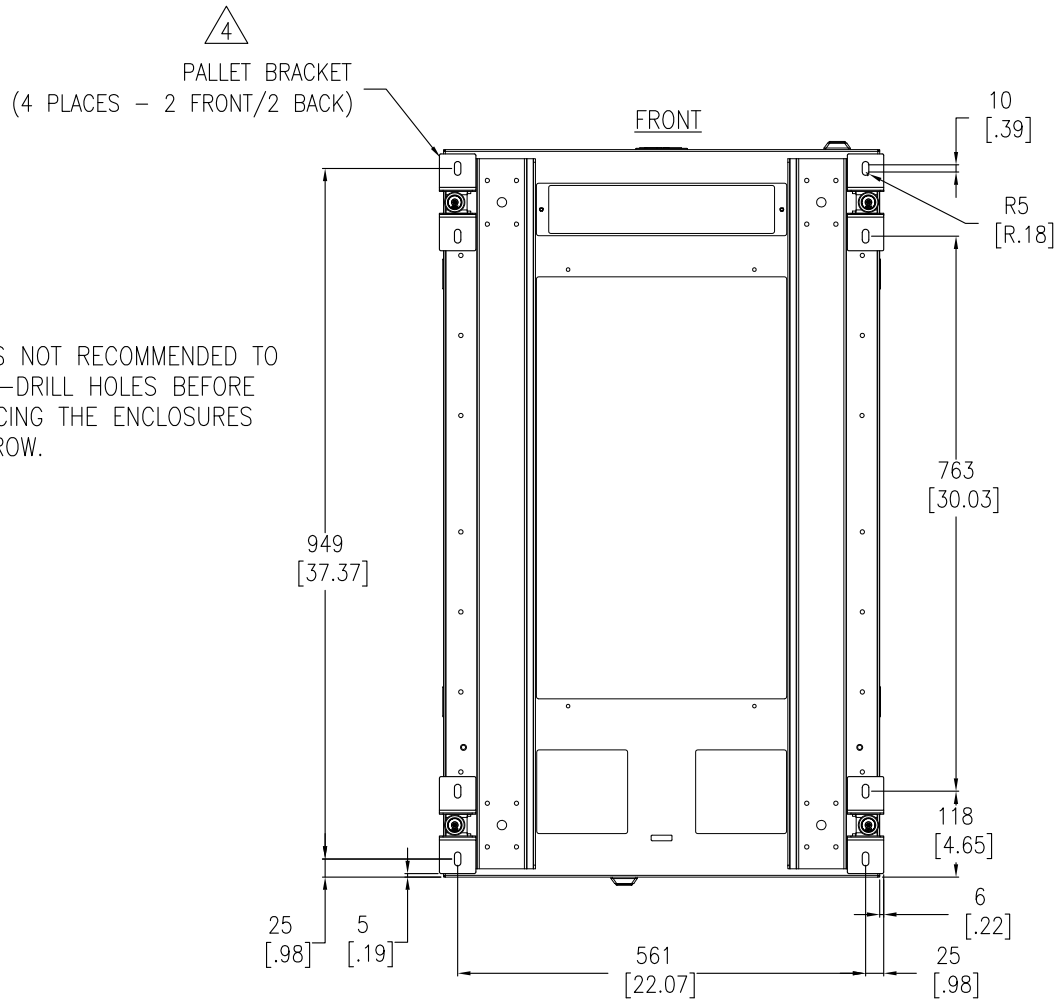
1. COMPLY WITH ALL APPLICABLE NATIONAL, STATE AND LOCAL ELECTRICAL REGULATIONS.
2. REFER TO THE PRODUCT DOCUMENTATION FOR ADDITIONAL DETAILS PRIOR TO INSTALLATION AND SITE PREPARATION WORK.
3. ALL DIMENSIONS ARE IN MILLIMETERS [INCHES].

THIS DRAWING AND SPECIFICATIONS HEREIN ARE THE PROPERTY OF SCHNEIDER ELECTRIC AND SHALL NOT BE COPIED, REPRODUCED OR USED IN WHOLE OR IN PART, AS THE BASIS FOR THE MANUFACTURE OR SALE OF ITEMS WITHOUT WRITTEN PERMISSION FROM SCHNEIDER ELECTRIC. THIS DRAWING IS BASED UPON LATEST AVAILABLE INFORMATION AND IS SUBJECT TO CHANGE WITHOUT NOTICE.



TITLE:
NetShelter SV 42U
ENCLOSURE WITH SIDES
600mm WIDE x 1000mm DEEP
TOP, BOTTOM AND SECTION VIEWS

DWG NO:	AR2200	REV:	0
DRAWN BY:	JAYAPYAKASH	DATE:	22-FEB-13
ENGINEER:	T Xu/J KUMMER	DATE:	01-MAR-13
APPROVED BY:	SCOTT VOCCIO	DATE:	01-MAR-13
PROJECT:	SUBMITTAL DRAWINGS	SHEET:	3 OF 5
			FIRST ANGLE PROJECTION



FRONT

△ 4
PALLET BRACKET
(4 PLACES - 2 FRONT/2 BACK)

10
[.39]

R5
[R.18]

763
[30.03]

118
[4.65]

6
[.22]

25
[.98]

5
[.19]

561
[22.07]

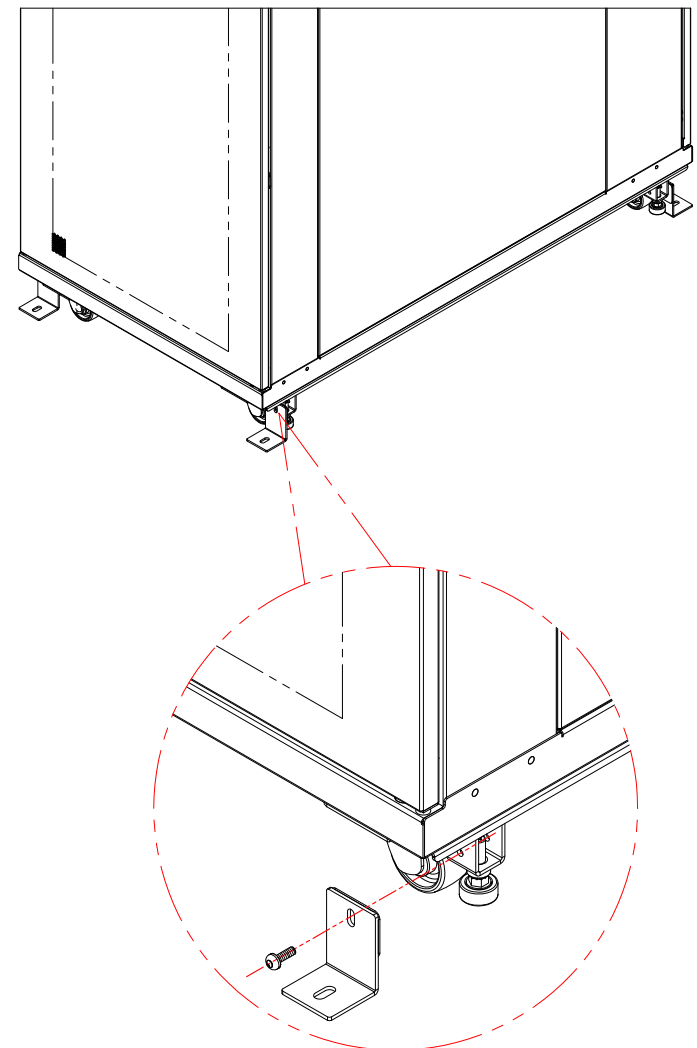
25
[.98]

BOTTOM VIEW
WITH PALLET BRACKETS FOR ANCHORING
(CASTERS NOT SHOWN FOR CLARITY)

IT IS NOT RECOMMENDED TO PRE-DRILL HOLES BEFORE PLACING THE ENCLOSURES IN ROW.

- NOTES:**
1. COMPLY WITH ALL APPLICABLE NATIONAL, STATE AND LOCAL ELECTRICAL REGULATIONS.
 2. REFER TO THE PRODUCT DOCUMENTATION FOR ADDITIONAL DETAILS PRIOR TO INSTALLATION AND SITE PREPARATION WORK.
 3. ALL DIMENSIONS ARE IN MILLIMETERS [INCHES].
- △4. PALLET/ANCHORING BRACKETS ARE PROVIDED WITH THE ENCLOSURE AND ARE SECURED TO THE ENCLOSURE AND PALLET FOR SHIPMENT. RETAIN THE PALLET BRACKETS FROM SHIPMENT. THESE BRACKETS ARE USED TO ANCHOR THE ENCLOSURE ONCE INSTALLED. PALLET/ANCHORING BRACKETS CAN BE INSTALLED EITHER INSIDE OR OUTSIDE THE NetShelter WITH TWO AT FRONT AND TWO IN BACK.

STABILIZING THE ENCLOSURE:
TO PREVENT THE ENCLOSURE FROM MOVING FROM ITS FINAL LOCATION (IF NOT JOINED WITH ANOTHER COMPONENT, USE PALLET/ANCHORING BRACKET) ATTACH THE PALLET/ANCHORING BRACKETS TO THE ENCLOSURE AS SHOWN. USE CODE COMPLIANT FASTENERS TO SECURE THE ENCLOSURE TO THE FLOOR.



(4 PLACES - 2-FRONT/2-BACK)
ENLARGED VIEW

THIS DRAWING AND SPECIFICATIONS HEREIN ARE THE PROPERTY OF SCHNEIDER ELECTRIC AND SHALL NOT BE COPIED, REPRODUCED OR USED IN WHOLE OR IN PART, AS THE BASIS FOR THE MANUFACTURE OR SALE OF ITEMS WITHOUT WRITTEN PERMISSION FROM SCHNEIDER ELECTRIC. THIS DRAWING IS BASED UPON LATEST AVAILABLE INFORMATION AND IS SUBJECT TO CHANGE WITHOUT NOTICE.



TITLE: NetShelter SV 42U ENCLOSURE WITH SIDES 600mm WIDEx1000mm DEEP ANCHORING DETAILS

PROJECT: SUBMITTAL DRAWINGS SHEET 4 OF 5

DWG NO: AR2200

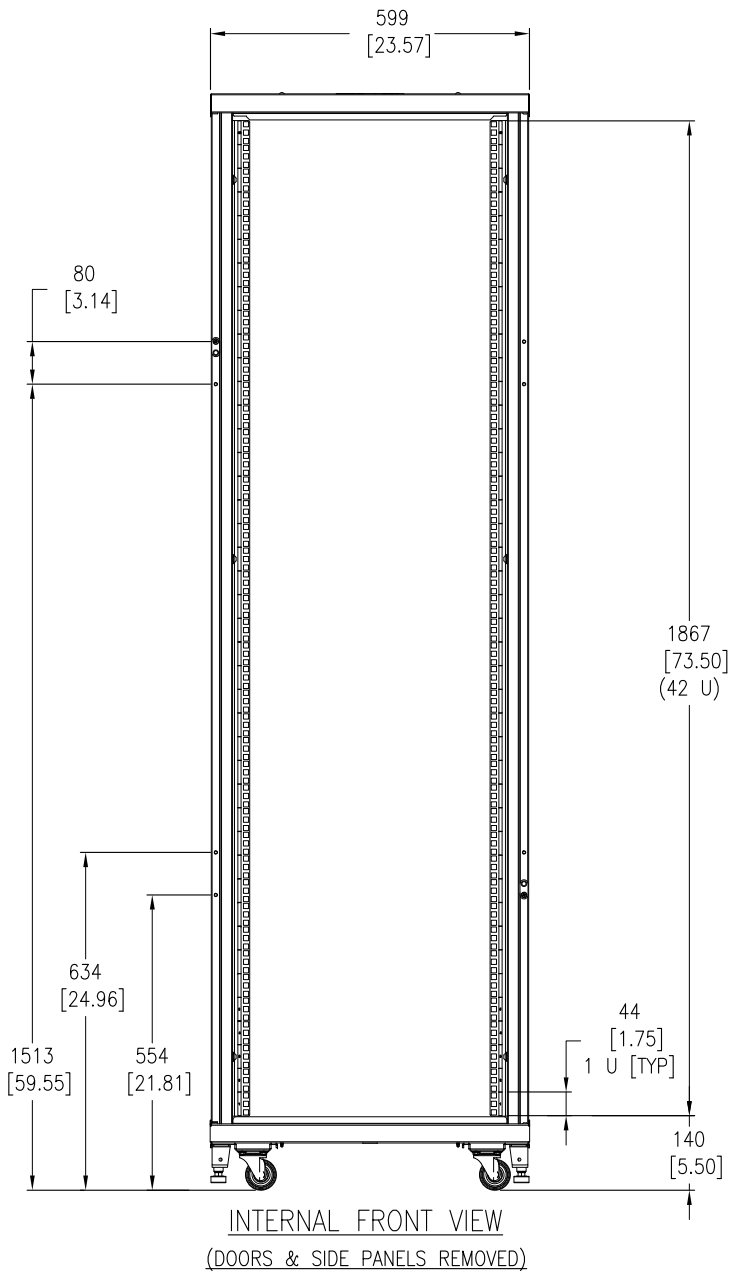
DRAWN BY: JAYAPRAKASH 22-FEB-13

ENGINEER: T Xu/J KUMMER 01-MAR-13

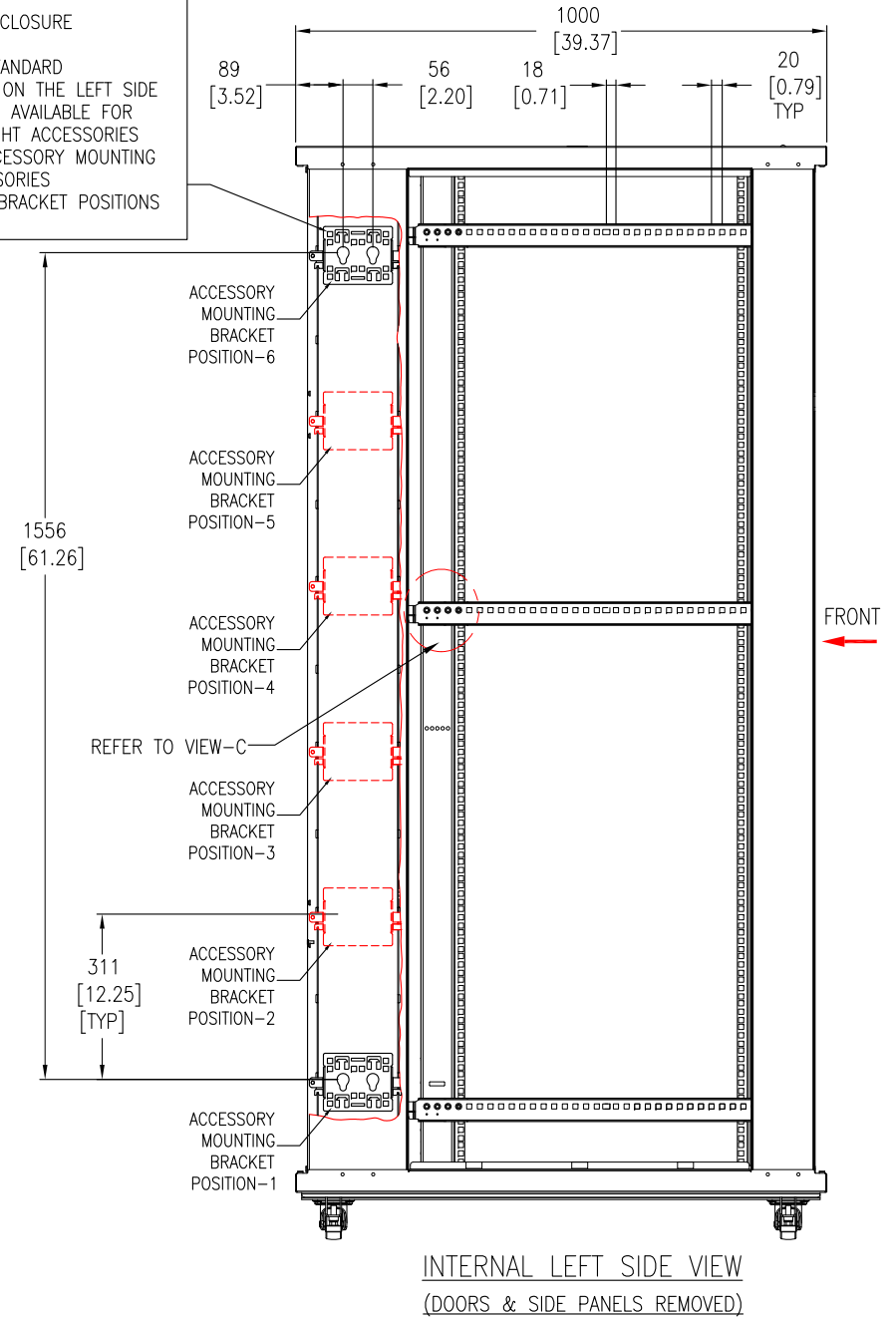
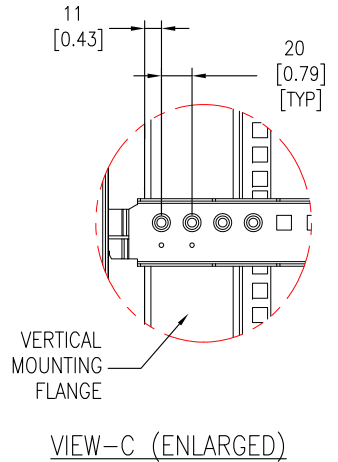
APPROVED BY: SCOTT VOCCIO 01-MAR-13

REV: 0

FIRST ANGLE PROJECTION



NOTE:
 THERE ARE SIX POSITIONS ON EACH SIDE OF THE ENCLOSURE FOR INSTALLING ACCESSORY MOUNTING BRACKETS.
 4 ACCESSORY MOUNTING BRACKETS ARE PROVIDED STANDARD WITH THE ENCLOSURE, 2 ON THE RIGHT SIDE AND 2 ON THE LEFT SIDE LOCATED AT POSITIONS 6 & 1. OTHER BRACKETS ARE AVAILABLE FOR PURCHASE AS SKU AR824002. FULL ENCLOSURE HEIGHT ACCESSORIES Eg. VERTICAL 0-U RACK PDUs UTILIZE STANDARD ACCESSORY MOUNTING BRACKET POSITIONS 6 & 1 AND HALF HEIGHT ACCESSORIES E.G. VERTICAL CABLE ORGANIZERS UTILIZE MOUNTING BRACKET POSITIONS 6 & 4 OR 3 & 1.



- NOTES:**
1. COMPLY WITH ALL APPLICABLE NATIONAL, STATE AND LOCAL ELECTRICAL REGULATIONS.
 2. REFER TO THE PRODUCT DOCUMENTATION FOR ADDITIONAL DETAILS PRIOR TO INSTALLATION AND SITE PREPARATION WORK.
 3. ALL DIMENSIONS ARE IN MILLIMETERS [INCHES].

THIS DRAWING AND SPECIFICATIONS HEREIN ARE THE PROPERTY OF SCHNEIDER ELECTRIC AND SHALL NOT BE COPIED, REPRODUCED OR USED IN WHOLE OR IN PART, AS THE BASIS FOR THE MANUFACTURE OR SALE OF ITEMS WITHOUT WRITTEN PERMISSION FROM SCHNEIDER ELECTRIC. THIS DRAWING IS BASED UPON LATEST AVAILABLE INFORMATION AND IS SUBJECT TO CHANGE WITHOUT NOTICE.



TITLE: NetShelter SV 42U ENCLOSURE WITH SIDES 600mm WIDEx1000mm DEEP INTERNAL VIEWS
 PROJECT: SUBMITTAL DRAWINGS SHEET 5 OF 5

DWG NO: AR2200 REV: 0
 DRAWN BY: JAYAPRAKASH 22-FEB-13 FIRST ANGLE
 ENGINEER: T Xu/J KUMMER 01-MAR-13 PROJECTION
 APPROVED BY: SCOTT VOCCIO 01-MAR-13