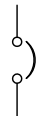

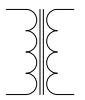


CONFIGURABLE POWER DISTRIBUTION, InfraStruxure PDU 60kW 480V/208V

| Sheet No. | Component /Detail | Description |
|-----------|-------------------------------------|----------------------------------|
| 1 | Draw ing Guide | InfraStruxure PDU 60kW 480V/208V |
| 2 | Specifcation | InfraStruxure PDU 60kW 480V/208V |
| 3-6 | Mechanical Layouts | InfraStruxure PDU 60kW 480V/208V |
| 7-11 | Internal View s & Details | InfraStruxure PDU 60kW 480V/208V |
| 12-13 | System One Line / Five line Diagram | InfraStruxure PDU 60kW 480V/208V |

| LEGEND | |
|---|-----------------|
| SYMBOL | DESCRIPTION |
|  | CIRCUIT BREAKER |
|  | SWITCH |
|  | TRANSFORMER |

THIS DRAWING AND SPECIFICATIONS HEREIN ARE THE PROPERTY OF SCHNEIDER ELECTRIC AND SHALL NOT BE COPIED, REPRODUCED OR USED IN WHOLE OR IN PART, AS THE BASIS FOR THE MANUFACTURE OR SALE OF ITEMS WITHOUT WRITTEN PERMISSION FROM SCHNEIDER ELECTRIC. THIS DRAWING IS BASED UPON LATEST AVAILABLE INFORMATION AND IS SUBJECT TO CHANGE WITHOUT NOTICE.



TITLE: CONFIGURABLE POWER DISTRIBUTION
 InfraStruxure PDU 60kW
 Input: 480V, 3PH, 60Hz
 Output: 208V, 3PH, 60Hz
 DRAWING GUIDE

PROJECT: DRAWINGS SHEET 1 OF 13

DWG NO: PD60G6FK1-M REV. 0

DRAWN BY: JAYAPRAKASH 28-FEB-12 ANGLE

ENGINEER: J.RING/F.DIOSA 18-MAR-12 PROJECTION

APPROVED BY: R.HANSEN/E.SILVA 18-MAR-12 N/A

CONFIGURABLE POWER DISTRIBUTION - SPECIFICATIONS

1. AC Input

- 1.1 Nominal voltage : 480V 3PH WYE, 3W+G (provided by others)
- 1.2 Frequency : 60Hz
- 1.3 Input Circuit Breaker : 90A
- 1.4 Nominal current : 72A
- 1.5 Main Input conductor size : #3/0 AWG

2. AC Output

- 2.1 Nominal voltage : 208V 3PH 4W+G
- 2.2 Nominal current : 167A
- 2.3 Full Load rating : 60kW
- 2.4 Distribution Panel : 2 x 225A, 42-position
- 2.5 Distribution Breaker Size : 150A (Max)

3. ENVIRONMENTS

- 3.1 The assembly is made for an ambient temperature for operation of : 0°C to 40°C.
- 3.2 The assembly is made for an ambient temperature for storage of : 0°C to 45°C.

4. ENCLOSURE

- 4.1 The assembly material is steel with surface coating.
- 4.2 The assembly is made for Indoor floor Installation.

5. CONNECTIONS

- 5.1 Incoming and outgoing cables to be connected to terminals in component section.
- 5.2 Input cable entry is through side, top or bottom of the unit.

NOTES:

1. INSTALLATION SHALL COMPLY WITH ALL APPLICABLE NATIONAL, STATE AND LOCAL CODES.
2. PLEASE REFER TO PRODUCT MANUALS FOR ADDITIONAL DETAILS PRIOR TO INSTALLATION AND SITE PREPARATION WORK.

THIS DRAWING AND SPECIFICATIONS HEREIN ARE THE PROPERTY OF SCHNEIDER ELECTRIC AND SHALL NOT BE COPIED, REPRODUCED OR USED IN WHOLE OR IN PART, AS THE BASIS FOR THE MANUFACTURE OR SALE OF ITEMS WITHOUT WRITTEN PERMISSION FROM SCHNEIDER ELECTRIC. THIS DRAWING IS BASED UPON LATEST AVAILABLE INFORMATION AND IS SUBJECT TO CHANGE WITHOUT NOTICE.



TITLE: CONFIGURABLE POWER DISTRIBUTION
InfraStruxure PDU 60kW
Input: 480V, 3PH, 60Hz
Output: 208V, 3PH, 60Hz
SPECIFICATIONS

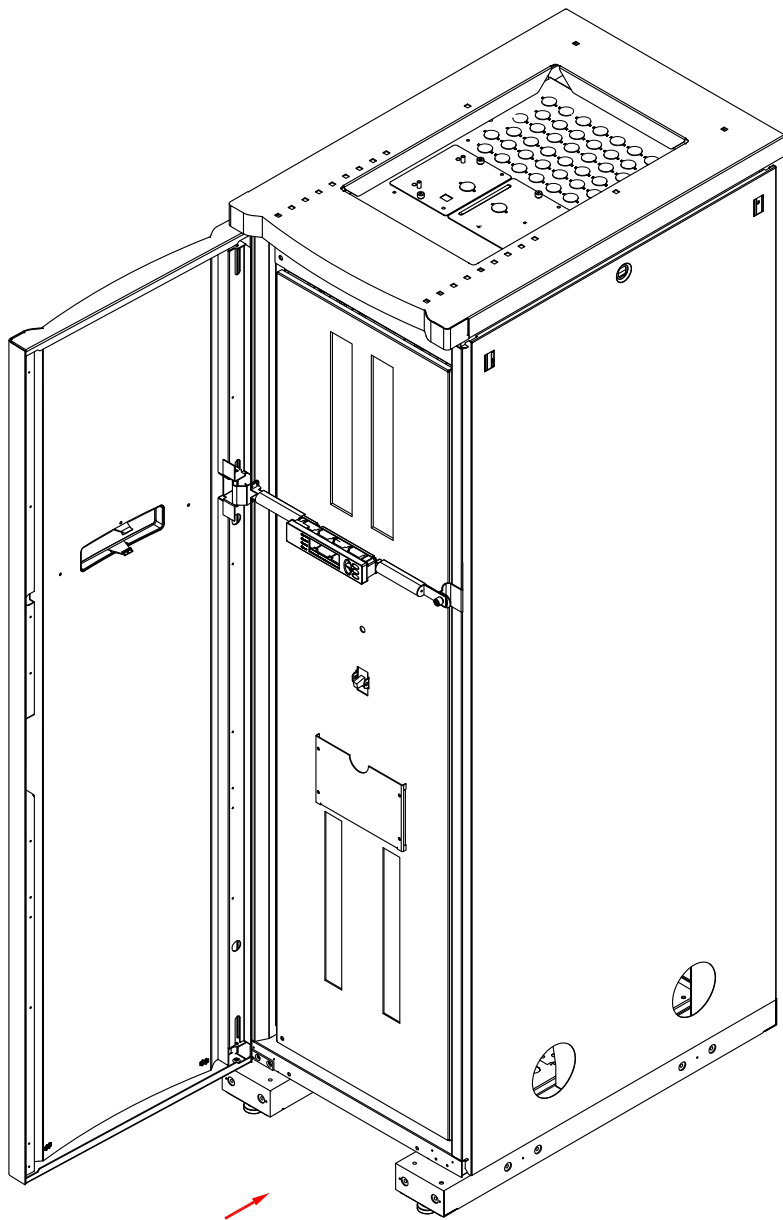
PROJECT: DRAWINGS SHEET 2 OF 13

DWG NO: PD60G6FK1-M REV. 1

DRAWN BY: JAYAPRAKASH/S CUNHA 03-OCT-13 ANGLE

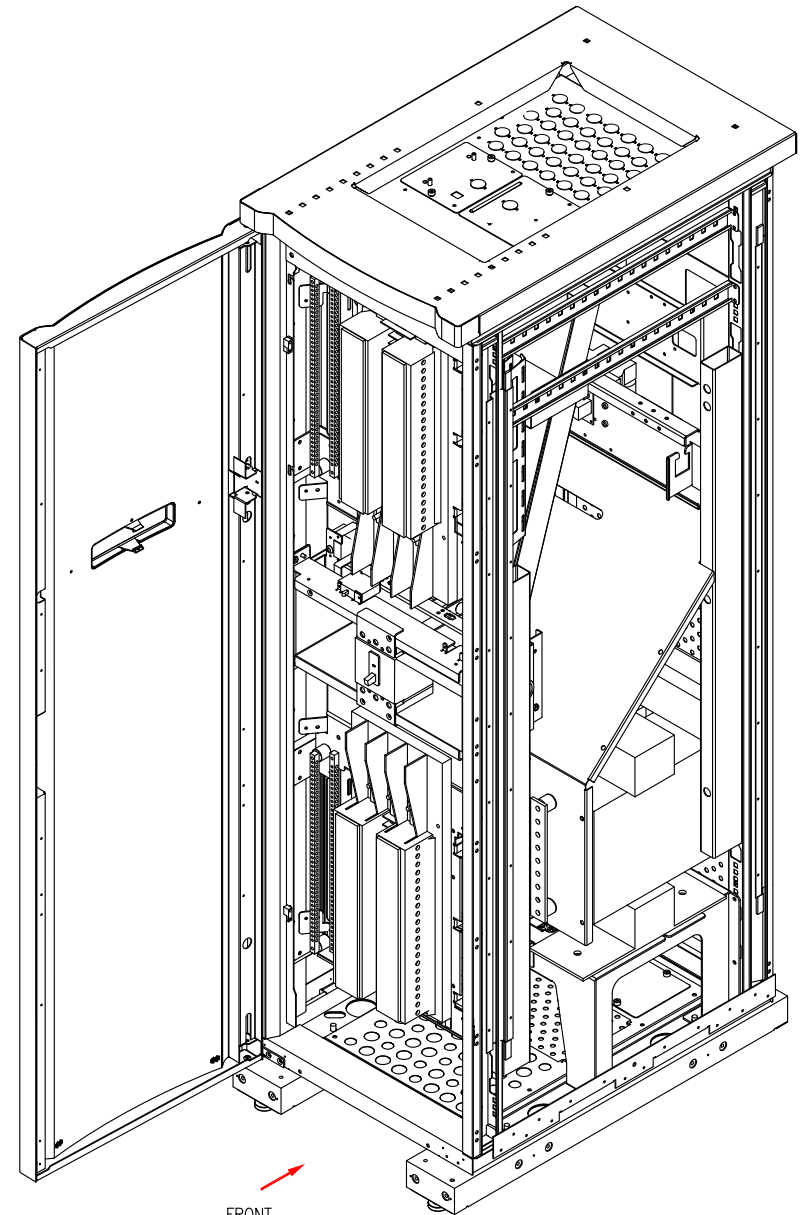
ENGINEER: R UBIERA 03-OCT-13 PROJECTION

APPROVED BY: R.HANSEN/G ZAPATA 03-OCT-13 N/A



FRONT

ISOMETRIC VIEW



FRONT

ISOMETRIC VIEW
(INSIDE PANELS REMOVED)

NOTES:

1. INSTALLATION SHALL COMPLY WITH ALL APPLICABLE NATIONAL, STATE AND LOCAL CODES.
2. PLEASE REFER TO PRODUCT MANUALS FOR ADDITIONAL DETAILS PRIOR TO INSTALLATION AND SITE PREPARATION WORK.

THIS DRAWING AND SPECIFICATIONS HEREIN ARE THE PROPERTY OF SCHNEIDER ELECTRIC AND SHALL NOT BE COPIED, REPRODUCED OR USED IN WHOLE OR IN PART, AS THE BASIS FOR THE MANUFACTURE OR SALE OF ITEMS WITHOUT WRITTEN PERMISSION FROM SCHNEIDER ELECTRIC. THIS DRAWING IS BASED UPON LATEST AVAILABLE INFORMATION AND IS SUBJECT TO CHANGE WITHOUT NOTICE.



TITLE: CONFIGURABLE POWER DISTRIBUTION
 InfraStruxure PDU 60kW
 Input: 480V, 3PH, 60Hz
 Output: 208V, 3PH, 60Hz
 ISOMETRIC VIEW

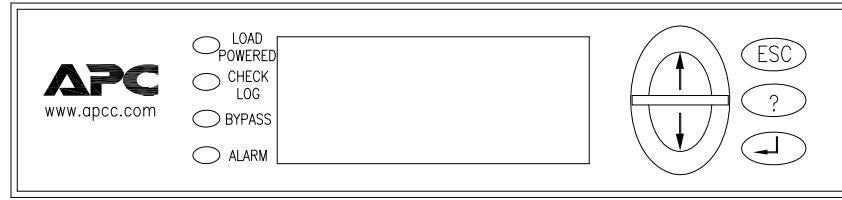
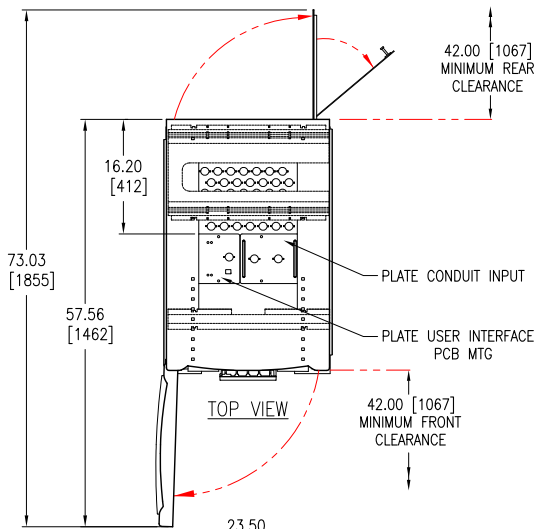
DWG NO: PD60G6FK1-M REV. 0

DRAWN BY: JAYAPRAKASH 28-FEB-12 THIRD

ENGINEER: J.RING/F.DIOSA 18-MAR-12 ANGLE

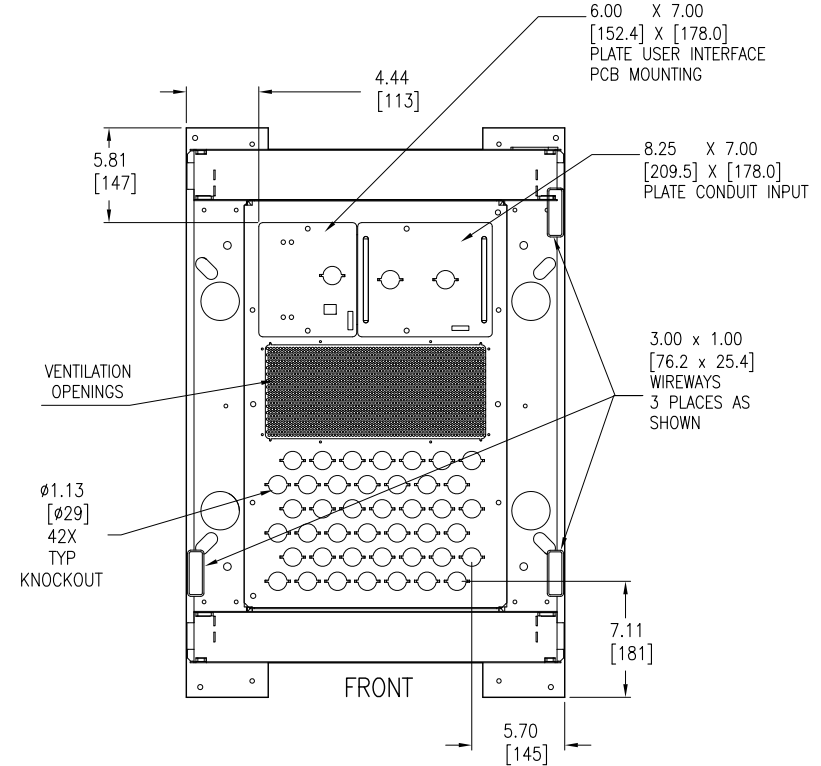
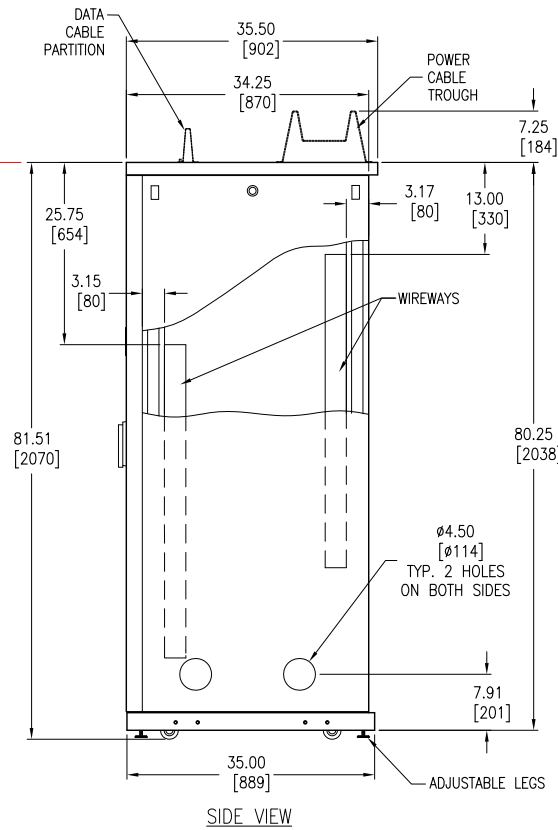
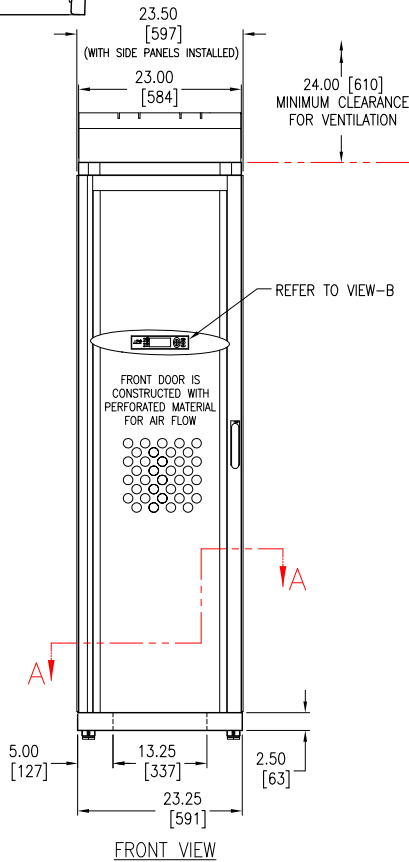
APPROVED BY: R.HANSEN/E.SILVA 18-MAR-12 PROJECTION

PROJECT: DRAWINGS SHEET 3 OF 13



NOTES:

1. INSTALLATION SHALL COMPLY WITH ALL APPLICABLE NATIONAL, STATE AND LOCAL CODES.
2. PLEASE REFER TO PRODUCT MANUALS FOR ADDITIONAL DETAILS PRIOR TO INSTALLATION AND SITE PREPARATION WORK.
3. ALL DIMENSIONS ARE IN INCHES [MILLIMETERS], UNLESS OTHERWISE SPECIFIED.
4. CABLE ENTRY IS FROM SIDE, TOP OR BOTTOM OF THE UNIT.
5. FRONT AND REAR ACCESS ARE REQUIRED FOR SERVICE.
6. WEIGHT OF THE UNIT IS 1012 lb [460 kg].
7. FLOOR LOADING: 175 lb/ft² [853 kg/meter²].
8. OPERATING TEMPERATURE: 32–104°F [0–40°C].
9. DATA CABLE PARTITION AND POWER CABLE TROUGH ARE NOT PART OF THE SKU.
10. COLOR: BLACK.



THIS DRAWING AND SPECIFICATIONS HEREIN ARE THE PROPERTY OF SCHNEIDER ELECTRIC AND SHALL NOT BE COPIED, REPRODUCED OR USED IN WHOLE OR IN PART, AS THE BASIS FOR THE MANUFACTURE OR SALE OF ITEMS WITHOUT WRITTEN PERMISSION FROM SCHNEIDER ELECTRIC. THIS DRAWING IS BASED UPON LATEST AVAILABLE INFORMATION AND IS SUBJECT TO CHANGE WITHOUT NOTICE.



TITLE: CONFIGURABLE POWER DISTRIBUTION
InfraStruxure PDU 60kW
Input: 480V, 3PH, 60Hz
Output: 208V, 3PH, 60Hz
GENERAL ARRANGEMENT

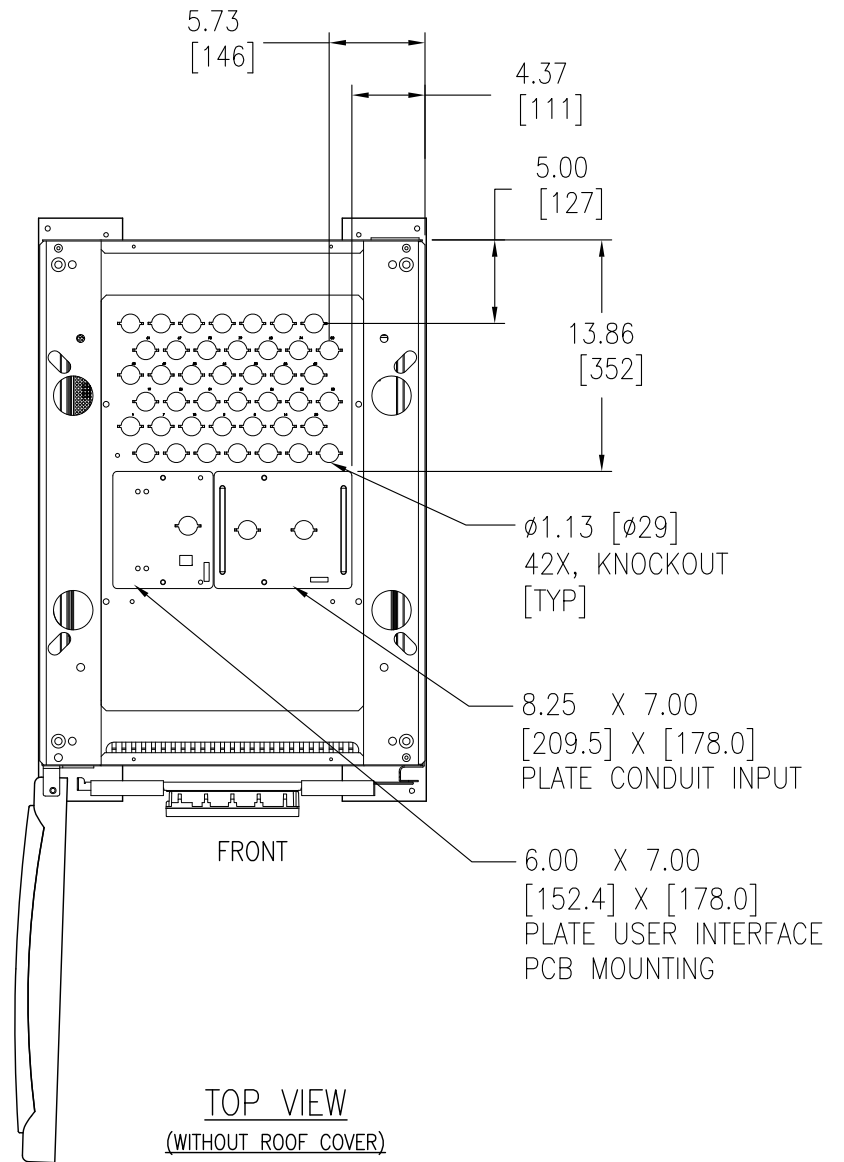
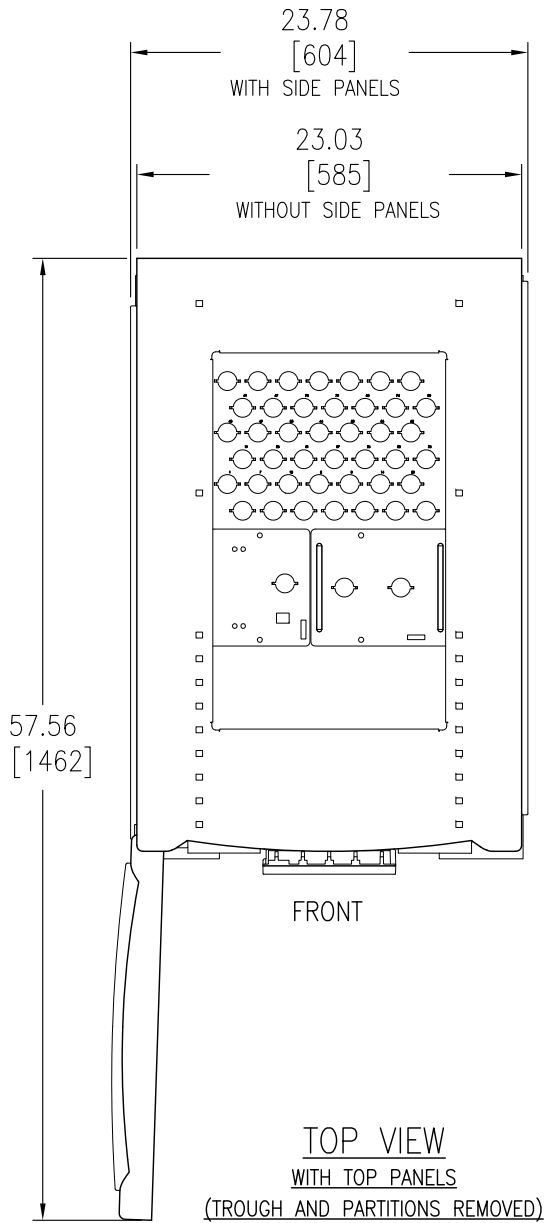
PROJECT: DRAWINGS SHEET 4 OF 13

DWG NO: PD60G6FK1-M REV. 0

DRAWN BY: JAYAPRAKASH 28-FEB-12 THIRD

ENGINEER: J.RING/F.DIOSA 18-MAR-12 ANGLE

APPROVED BY: R.HANSEN/E.SILVA 18-MAR-12 PROJECTION



NOTES:

1. INSTALLATION SHALL COMPLY WITH ALL APPLICABLE NATIONAL, STATE AND LOCAL CODES.
2. PLEASE REFER TO PRODUCT MANUALS FOR ADDITIONAL DETAILS PRIOR TO INSTALLATION AND SITE PREPARATION WORK.
3. ALL DIMENSIONS ARE IN INCHES [MILLIMETERS], UNLESS OTHERWISE SPECIFIED.

THIS DRAWING AND SPECIFICATIONS HEREIN ARE THE PROPERTY OF SCHNEIDER ELECTRIC AND SHALL NOT BE COPIED, REPRODUCED OR USED IN WHOLE OR IN PART, AS THE BASIS FOR THE MANUFACTURE OR SALE OF ITEMS WITHOUT WRITTEN PERMISSION FROM SCHNEIDER ELECTRIC. THIS DRAWING IS BASED UPON LATEST AVAILABLE INFORMATION AND IS SUBJECT TO CHANGE WITHOUT NOTICE.



TITLE: CONFIGURABLE POWER DISTRIBUTION
 InfraStruxure PDU 60kW
 Input: 480V, 3PH, 60Hz
 Output: 208V, 3PH, 60Hz
 TOP VIEWS

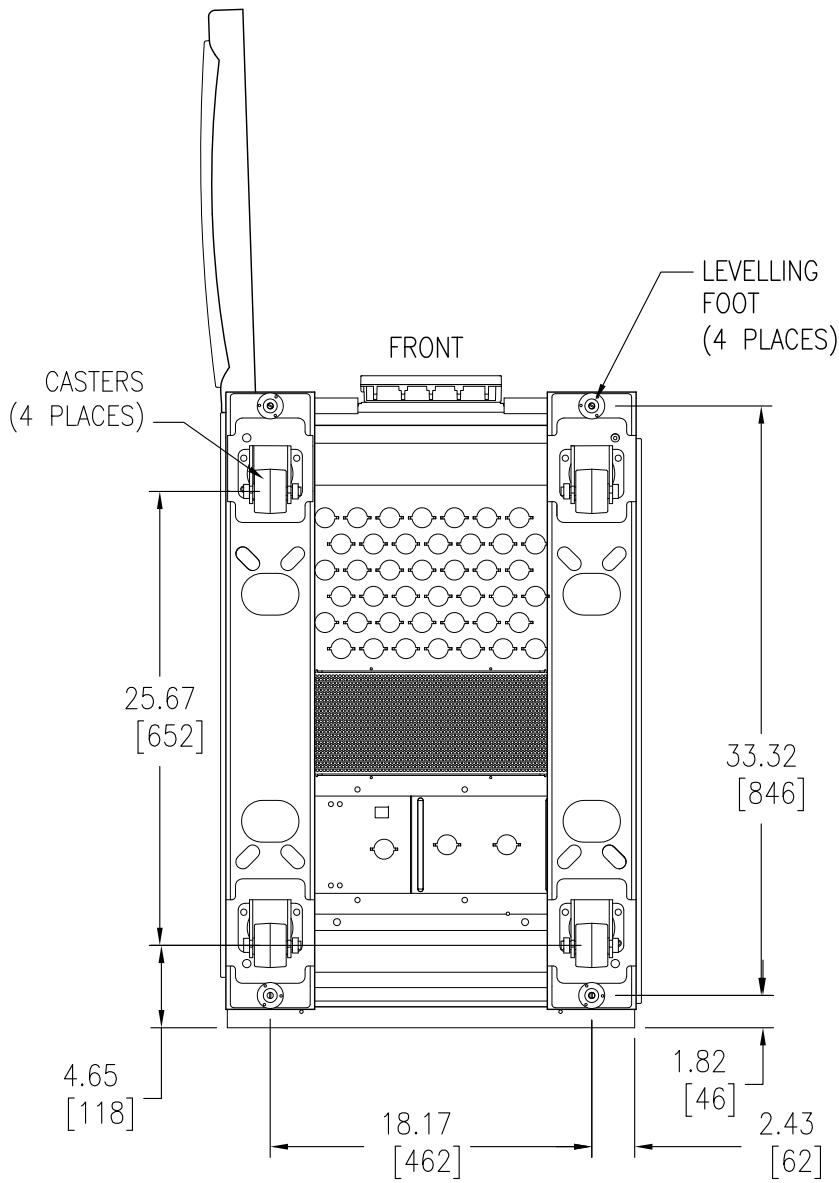
PROJECT: DRAWINGS SHEET 5 OF 13

DWG NO: PD60G6FK1-M REV. 0

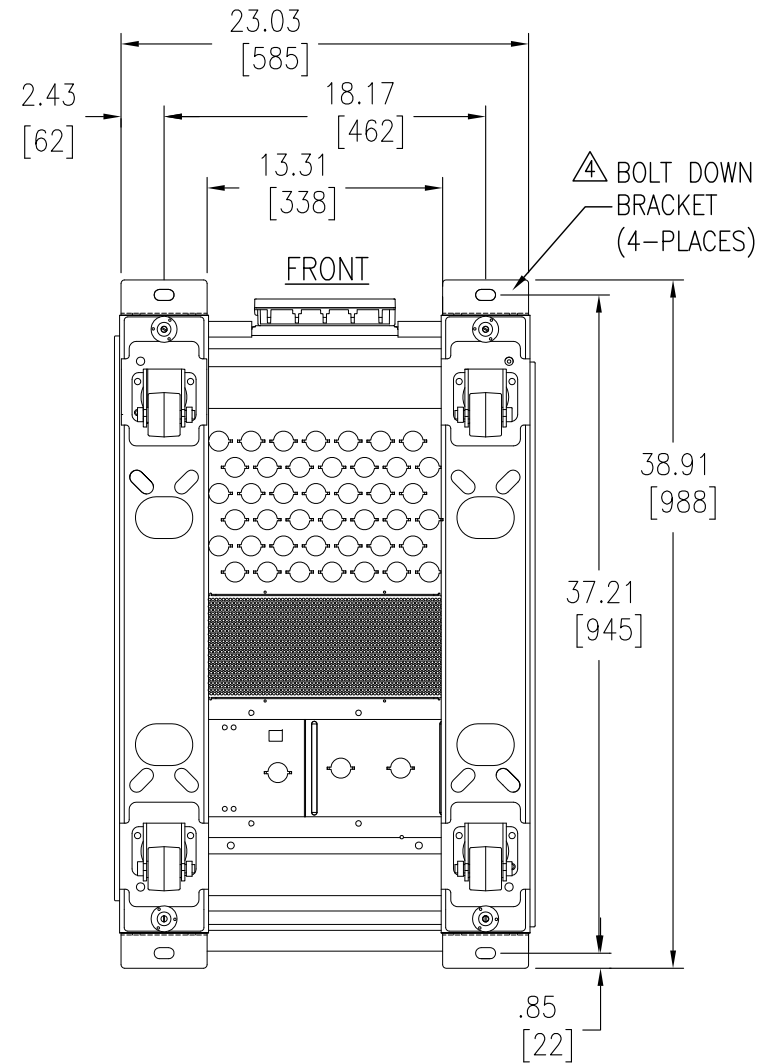
DRAWN BY: JAYAPRAKASH 28-FEB-12 THIRD

ENGINEER: J.RING/F.DIOSA 18-MAR-12 ANGLE

APPROVED BY: R.HANSEN/E.SILVA 18-MAR-12 PROJECTION



BOTTOM VIEW



BOTTOM VIEW
FRONT & REAR DOOR NOT SHOWN
(ANCHORING DETAILS WITH BOLT DOWN BRACKETS)

NOTES:

1. INSTALLATION SHALL COMPLY WITH ALL APPLICABLE NATIONAL, STATE AND LOCAL CODES.
2. PLEASE REFER TO PRODUCT MANUALS FOR ADDITIONAL DETAILS PRIOR TO INSTALLATION AND SITE PREPARATION WORK.
3. ALL DIMENSIONS ARE IN INCHES [MILLIMETERS], UNLESS OTHERWISE SPECIFIED.

△4. TO STABILIZE THE ENCLOSURE (IF IT IS NOT JOINED WITH ANOTHER COMPONENT) USE THE AR8112BLK BOLT-DOWN KIT. ATTACH THE BRACKETS TO THE UNIT AS SHOWN. USE CODE COMPLIANT FASTENERS TO SECURE THE UNIT TO THE FLOOR.

THIS DRAWING AND SPECIFICATIONS HEREIN ARE THE PROPERTY OF SCHNEIDER ELECTRIC AND SHALL NOT BE COPIED, REPRODUCED OR USED IN WHOLE OR IN PART, AS THE BASIS FOR THE MANUFACTURE OR SALE OF ITEMS WITHOUT WRITTEN PERMISSION FROM SCHNEIDER ELECTRIC. THIS DRAWING IS BASED UPON LATEST AVAILABLE INFORMATION AND IS SUBJECT TO CHANGE WITHOUT NOTICE.



TITLE: CONFIGURABLE POWER DISTRIBUTION
InfraStruxure PDU 60kW
Input: 480V, 3PH, 60Hz
Output: 208V, 3PH, 60Hz
BOTTOM VIEW & ANCHORING DETAILS

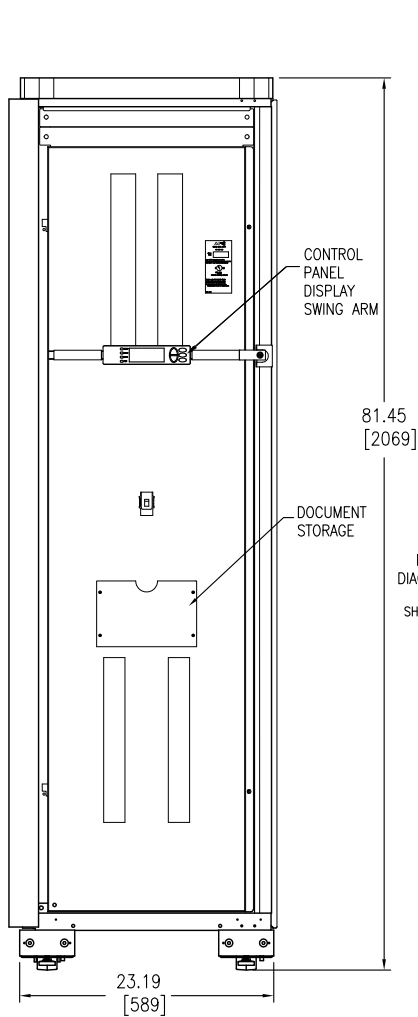
PROJECT: DRAWINGS SHEET 6 OF 13

DWG NO: PD60G6FK1-M REV. 0

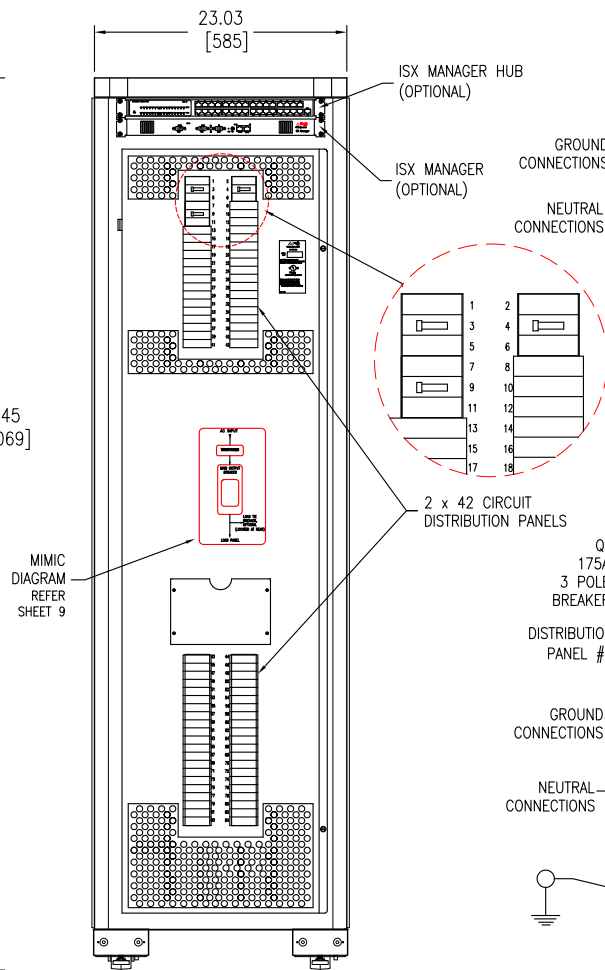
DRAWN BY: JAYAPRAKASH 28-FEB-12 THIRD

ENGINEER: J.RING/F.DIOSA 18-MAR-12 ANGLE

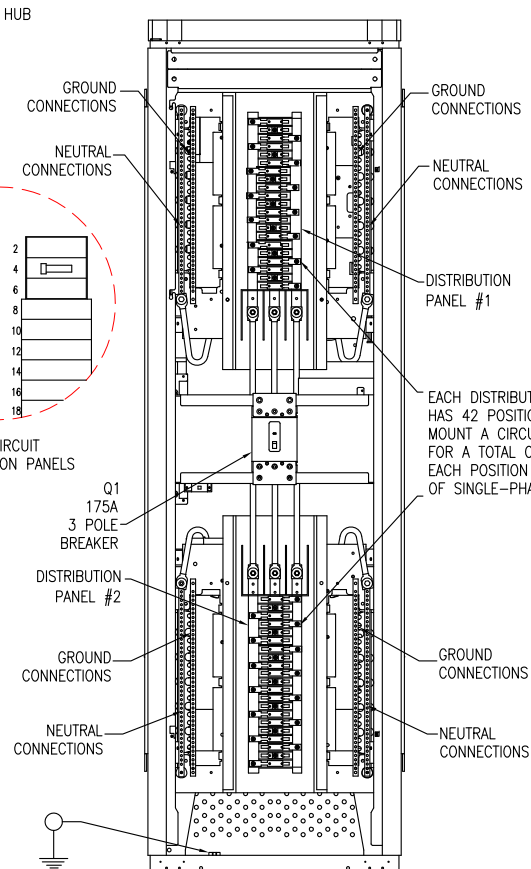
APPROVED BY: R.HANSEN/E.SILVA 18-MAR-12 PROJECTION



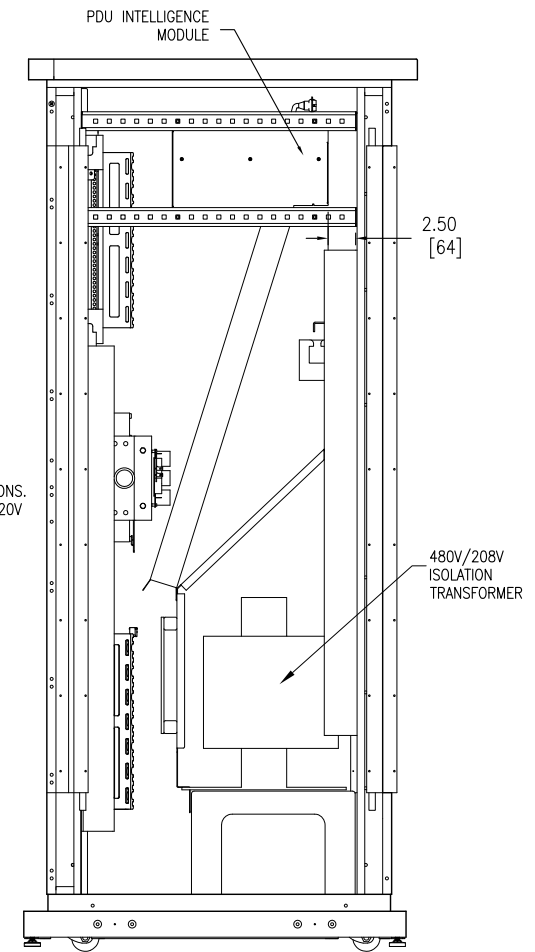
FRONT VIEW
FRONT DOOR OPENED



FRONT VIEW
FRONT DOOR REMOVED



FRONT VIEW
DOOR AND DEAD FRONT PANEL REMOVED



RIGHT SIDE VIEW
SIDE PANEL REMOVED

NOTES:

1. INSTALLATION SHALL COMPLY WITH ALL APPLICABLE NATIONAL, STATE AND LOCAL CODES.
2. PLEASE REFER TO PRODUCT MANUALS FOR ADDITIONAL DETAILS PRIOR TO INSTALLATION AND SITE PREPARATION WORK.
3. ALL DIMENSIONS ARE IN INCHES [MILLIMETERS], UNLESS OTHERWISE SPECIFIED.
4. SOME STRUCTURAL DETAILS HAVE BEEN OMITTED FOR THE PURPOSE OF CLARITY.

THIS DRAWING AND SPECIFICATIONS HEREIN ARE THE PROPERTY OF SCHNEIDER ELECTRIC AND SHALL NOT BE COPIED, REPRODUCED OR USED IN WHOLE OR IN PART, AS THE BASIS FOR THE MANUFACTURE OR SALE OF ITEMS WITHOUT WRITTEN PERMISSION FROM SCHNEIDER ELECTRIC. THIS DRAWING IS BASED UPON LATEST AVAILABLE INFORMATION AND IS SUBJECT TO CHANGE WITHOUT NOTICE.



TITLE: CONFIGURABLE POWER DISTRIBUTION
 InfraStruxure PDU 60kW
 Input: 480V, 3PH, 60Hz
 Output: 208V, 3PH, 60Hz
 INTERNAL VIEW

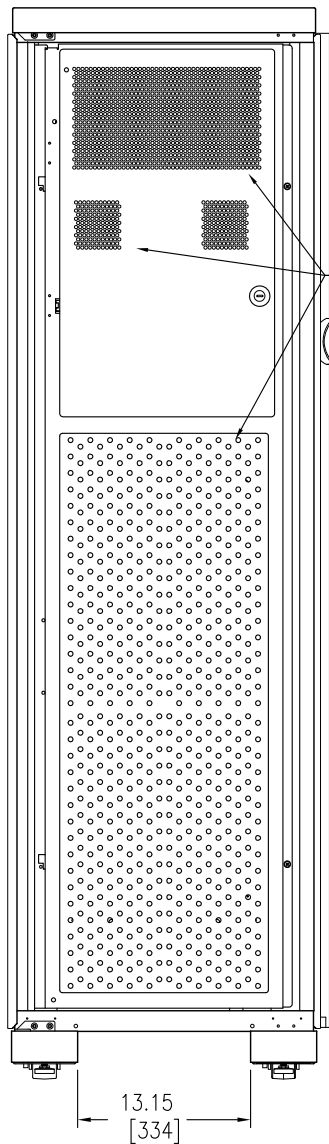
PROJECT: DRAWINGS SHEET 7 OF 13

DWG NO: PD60G6FK1-M REV. 0

DRAWN BY: JAYAPRAKASH 28-FEB-12 THIRD

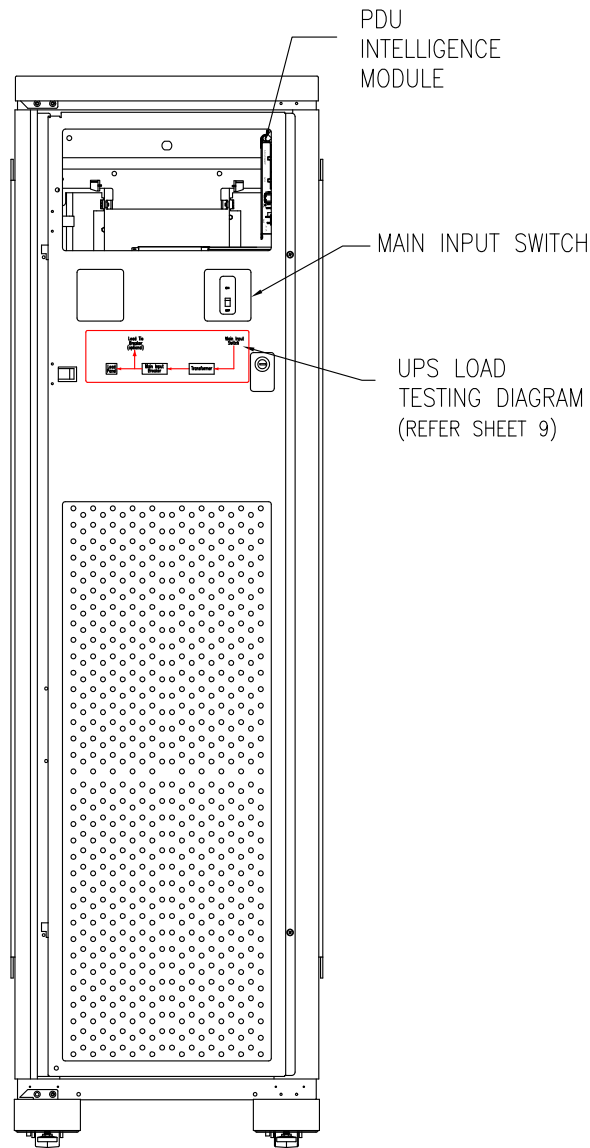
ENGINEER: J.RING/F.DIOSA 18-MAR-12 ANGLE

APPROVED BY: R.HANSEN/E.SILVA 18-MAR-12 PROJECTION

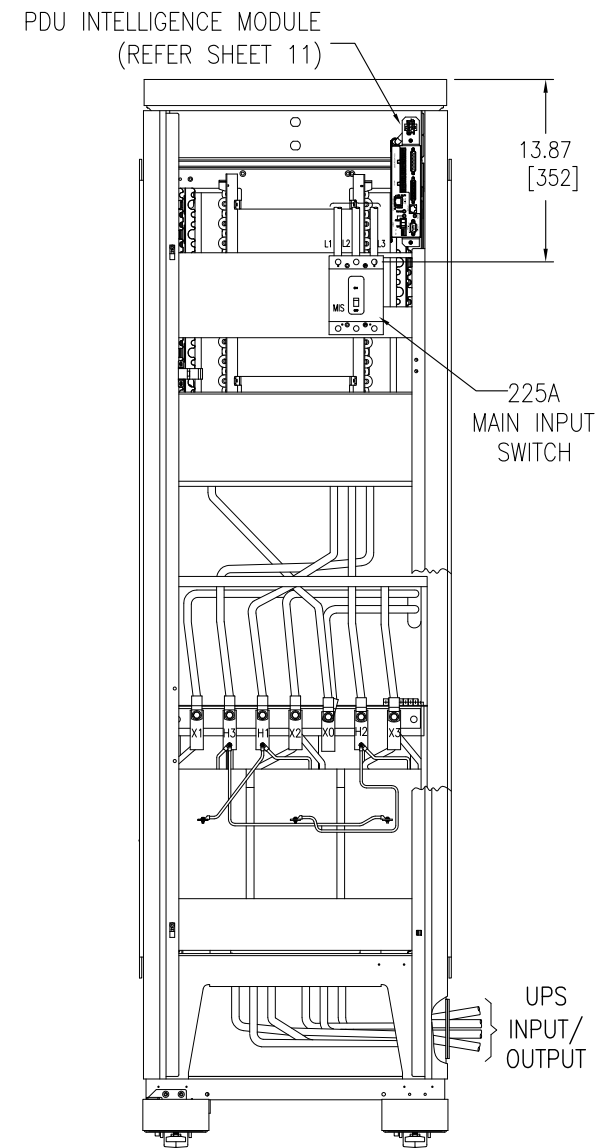


PARTS OF UPPER PANEL AND LOWER PANEL ARE CONSTRUCTED WITH PERFORATED MATERIAL FOR AIR FLOW

REAR VIEW
REAR DOORS REMOVED



REAR VIEW
TOP DOOR REMOVED



REAR VIEW
PANELS & DOORS REMOVED

NOTES:

1. INSTALLATION SHALL COMPLY WITH ALL APPLICABLE NATIONAL, STATE AND LOCAL CODES.
2. PLEASE REFER TO PRODUCT MANUALS FOR ADDITIONAL DETAILS PRIOR TO INSTALLATION AND SITE PREPARATION WORK.
3. ALL DIMENSIONS ARE IN INCHES [MILLIMETERS], UNLESS OTHERWISE SPECIFIED.
4. SOME STRUCTURAL DETAILS HAVE BEEN OMITTED FOR THE PURPOSE OF CLARITY.

THIS DRAWING AND SPECIFICATIONS HEREIN ARE THE PROPERTY OF SCHNEIDER ELECTRIC AND SHALL NOT BE COPIED, REPRODUCED OR USED IN WHOLE OR IN PART, AS THE BASIS FOR THE MANUFACTURE OR SALE OF ITEMS WITHOUT WRITTEN PERMISSION FROM SCHNEIDER ELECTRIC. THIS DRAWING IS BASED UPON LATEST AVAILABLE INFORMATION AND IS SUBJECT TO CHANGE WITHOUT NOTICE.



TITLE: CONFIGURABLE POWER DISTRIBUTION
 InfraStruxure PDU 60kW
 Input: 480V, 3PH, 60Hz
 Output: 208V, 3PH, 60Hz
 REAR VIEWS

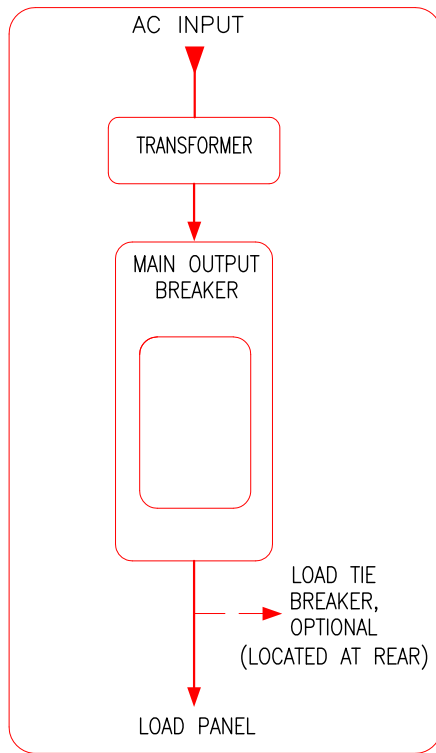
PROJECT: DRAWINGS SHEET 8 OF 13

DWG NO: PD60G6FK1-M REV. 0

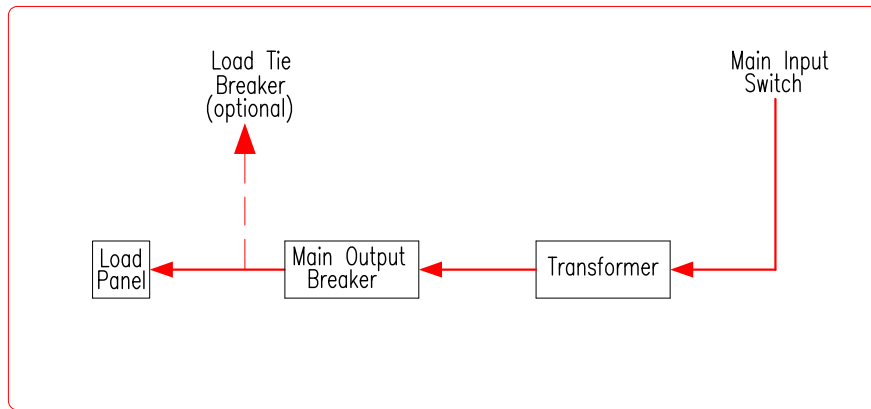
DRAWN BY: JAYAPRAKASH 28-FEB-12 THIRD ANGLE

ENGINEER: J.RING/F.DIOSA 18-MAR-12

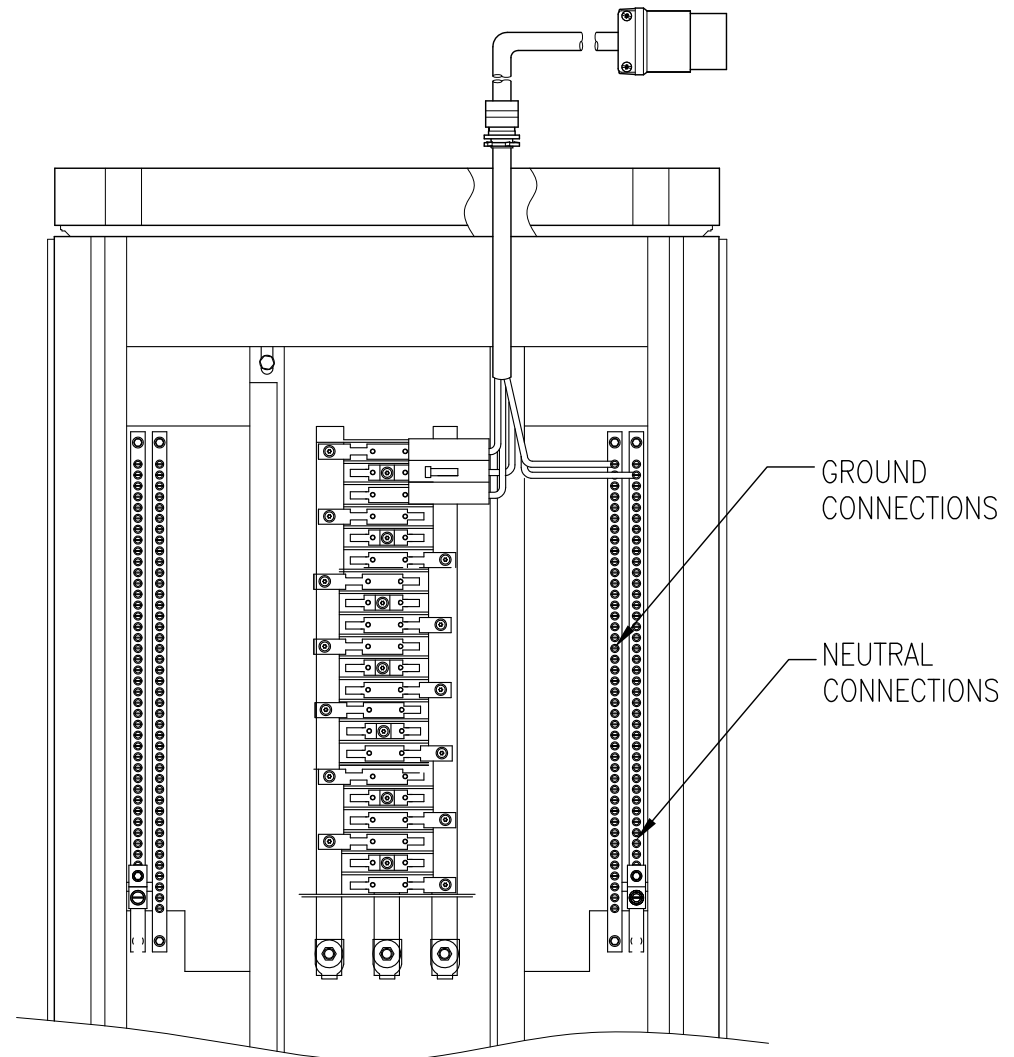
APPROVED BY: R.HANSEN/E.SILVA 18-MAR-12 PROJECTION



MIMIC DIAGRAM



INTERNAL MIMIC DIAGRAM



TYPICAL BREAKER CONNECTION
(ENLARGED VIEW)

NOTES:

1. INSTALLATION SHALL COMPLY WITH ALL APPLICABLE NATIONAL, STATE AND LOCAL CODES.
2. PLEASE REFER TO PRODUCT MANUALS FOR ADDITIONAL DETAILS PRIOR TO INSTALLATION AND SITE PREPARATION WORK.

THIS DRAWING AND SPECIFICATIONS HEREIN ARE THE PROPERTY OF SCHNEIDER ELECTRIC AND SHALL NOT BE COPIED, REPRODUCED OR USED IN WHOLE OR IN PART, AS THE BASIS FOR THE MANUFACTURE OR SALE OF ITEMS WITHOUT WRITTEN PERMISSION FROM SCHNEIDER ELECTRIC. THIS DRAWING IS BASED UPON LATEST AVAILABLE INFORMATION AND IS SUBJECT TO CHANGE WITHOUT NOTICE.



TITLE: CONFIGURABLE POWER DISTRIBUTION
 InfraStruxure PDU 60kW
 Input: 480V, 3PH, 60Hz
 Output: 208V, 3PH, 60Hz
 MIMIC DIAGRAM & TYPICAL BREAKER CONNECTION

| | | | |
|--------------|------------------|-----------|------------|
| DWG NO: | PD60G6FK1-M | REV. | 0 |
| DRAWN BY: | JAYAPRAKASH | 28-FEB-12 | THIRD |
| ENGINEER: | J.RING/F.DIOSA | 18-MAR-12 | ANGLE |
| APPROVED BY: | R.HANSEN/E.SILVA | 18-MAR-12 | PROJECTION |

PROJECT: DRAWINGS SHEET 9 OF 13

WIRE HARNESS FROM THE PDU INTELLIGENCE MODULE

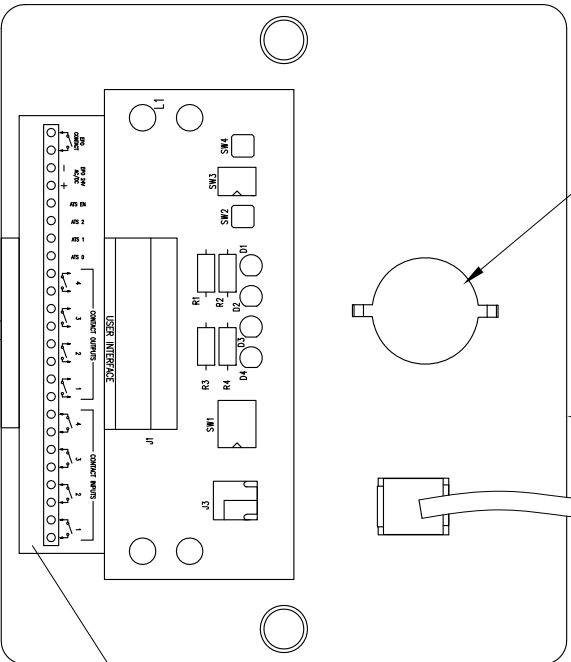
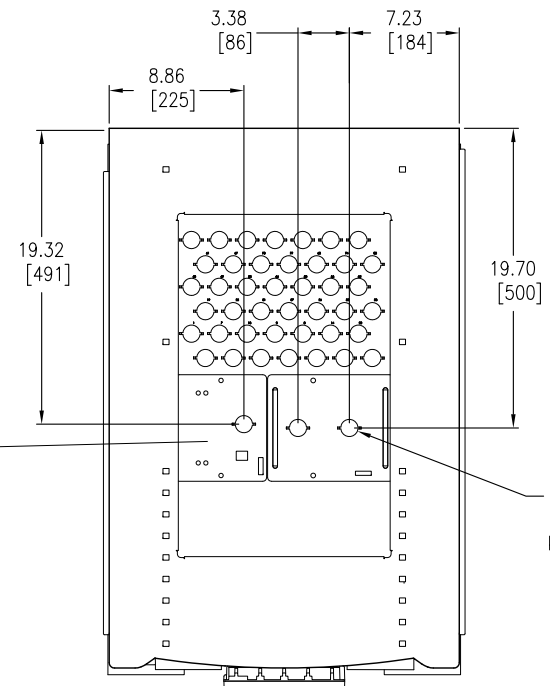


PLATE USER INTERFACE PCBMTG. BOTTOM VIEW

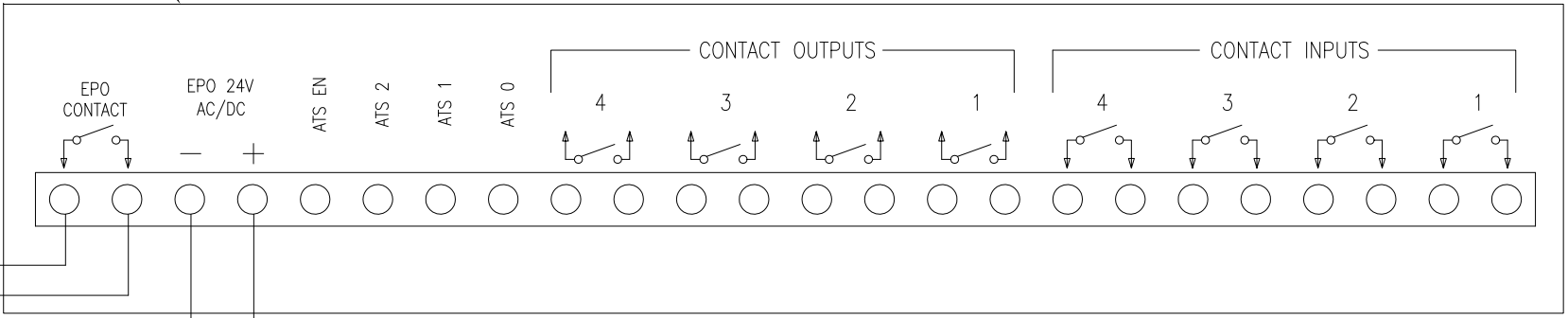
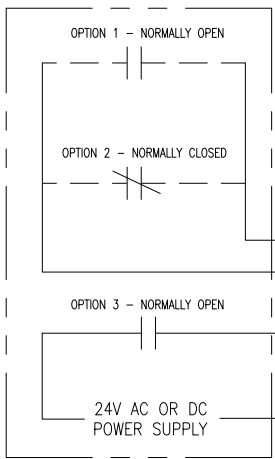
USER EPO CABLE ACCESS

ETHERNET CABLE FROM PDU INTELLIGENCE MODULE



FRONT PDU, TOP VIEW (COVER, DOORS AND CABLE RUN REMOVED)

EPO - EXTERNAL SET OF DRY CONTACTS OR AC/DC POWER SUPPLY



USER INTERFACE

- NOTES:
- INSTALLATION SHALL COMPLY WITH ALL APPLICABLE NATIONAL, STATE AND LOCAL CODES.
 - PLEASE REFER TO PRODUCT MANUALS FOR ADDITIONAL DETAILS PRIOR TO INSTALLATION AND SITE PREPARATION WORK.

THIS DRAWING AND SPECIFICATIONS HEREIN ARE THE PROPERTY OF SCHNEIDER ELECTRIC AND SHALL NOT BE COPIED, REPRODUCED OR USED IN WHOLE OR IN PART, AS THE BASIS FOR THE MANUFACTURE OR SALE OF ITEMS WITHOUT WRITTEN PERMISSION FROM SCHNEIDER ELECTRIC. THIS DRAWING IS BASED UPON LATEST AVAILABLE INFORMATION AND IS SUBJECT TO CHANGE WITHOUT NOTICE.

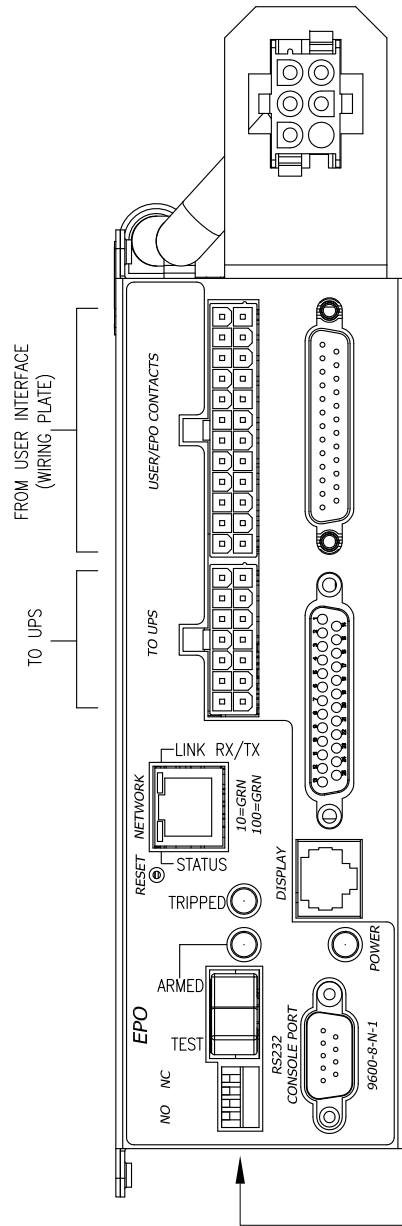


TITLE: CONFIGURABLE POWER DISTRIBUTION
 InfraStruxure PDU 60kW
 Input: 480V, 3PH, 60Hz
 Output: 208V, 3PH, 60Hz
 EPO INTERFACE
 PROJECT: DRAWINGS SHEET 10 OF 13

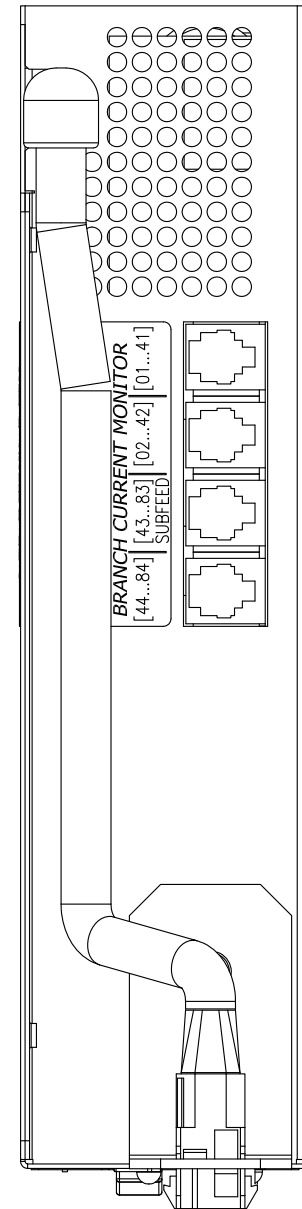
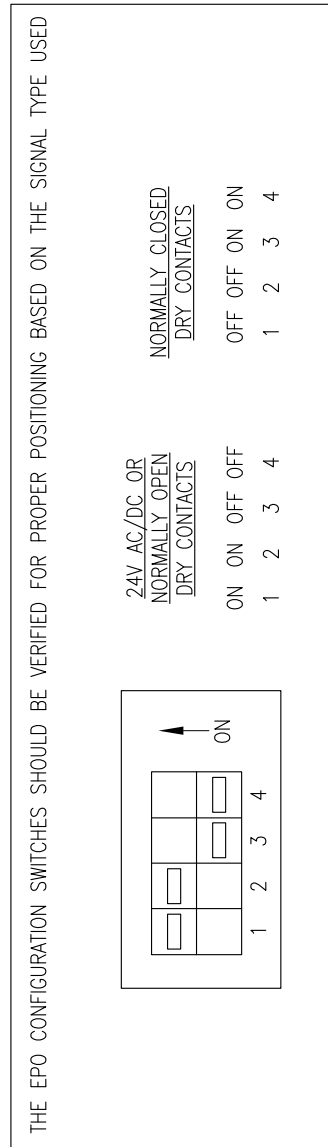
DWG NO: PD60G6FK1-M
 DRAWN BY: JAYAPRAKASH 28-FEB-12
 ENGINEER: J.RING/F.DIOSA 18-MAR-12
 APPROVED BY: R.HANSEN/E.SILVA 18-MAR-12

REV. 0
 THIRD ANGLE PROJECTION

PDU INTELLIGENCE MODULE



FRONT VIEW



TOP VIEW

CONNECTORS ARE PREWIRED IF PDU IS PURCHASED WITH BRANCH CURRENT MONITORING SYSTEM

NOTES:

1. INSTALLATION SHALL COMPLY WITH ALL APPLICABLE NATIONAL, STATE AND LOCAL CODES.
2. PLEASE REFER TO PRODUCT MANUALS FOR ADDITIONAL DETAILS PRIOR TO INSTALLATION AND SITE PREPARATION WORK.

THIS DRAWING AND SPECIFICATIONS HEREIN ARE THE PROPERTY OF SCHNEIDER ELECTRIC AND SHALL NOT BE COPIED, REPRODUCED OR USED IN WHOLE OR IN PART, AS THE BASIS FOR THE MANUFACTURE OR SALE OF ITEMS WITHOUT WRITTEN PERMISSION FROM SCHNEIDER ELECTRIC. THIS DRAWING IS BASED UPON LATEST AVAILABLE INFORMATION AND IS SUBJECT TO CHANGE WITHOUT NOTICE.



TITLE: CONFIGURABLE POWER DISTRIBUTION
 InfraStruxure PDU 60kW
 Input: 480V, 3PH, 60Hz
 Output: 208V, 3PH, 60Hz
 INTELLIGENCE MODULE

PROJECT: DRAWINGS SHEET 110F 13

DWG NO: PD60G6FK1-M REV. 0

DRAWN BY: JAYAPRAKASH 28-FEB-12

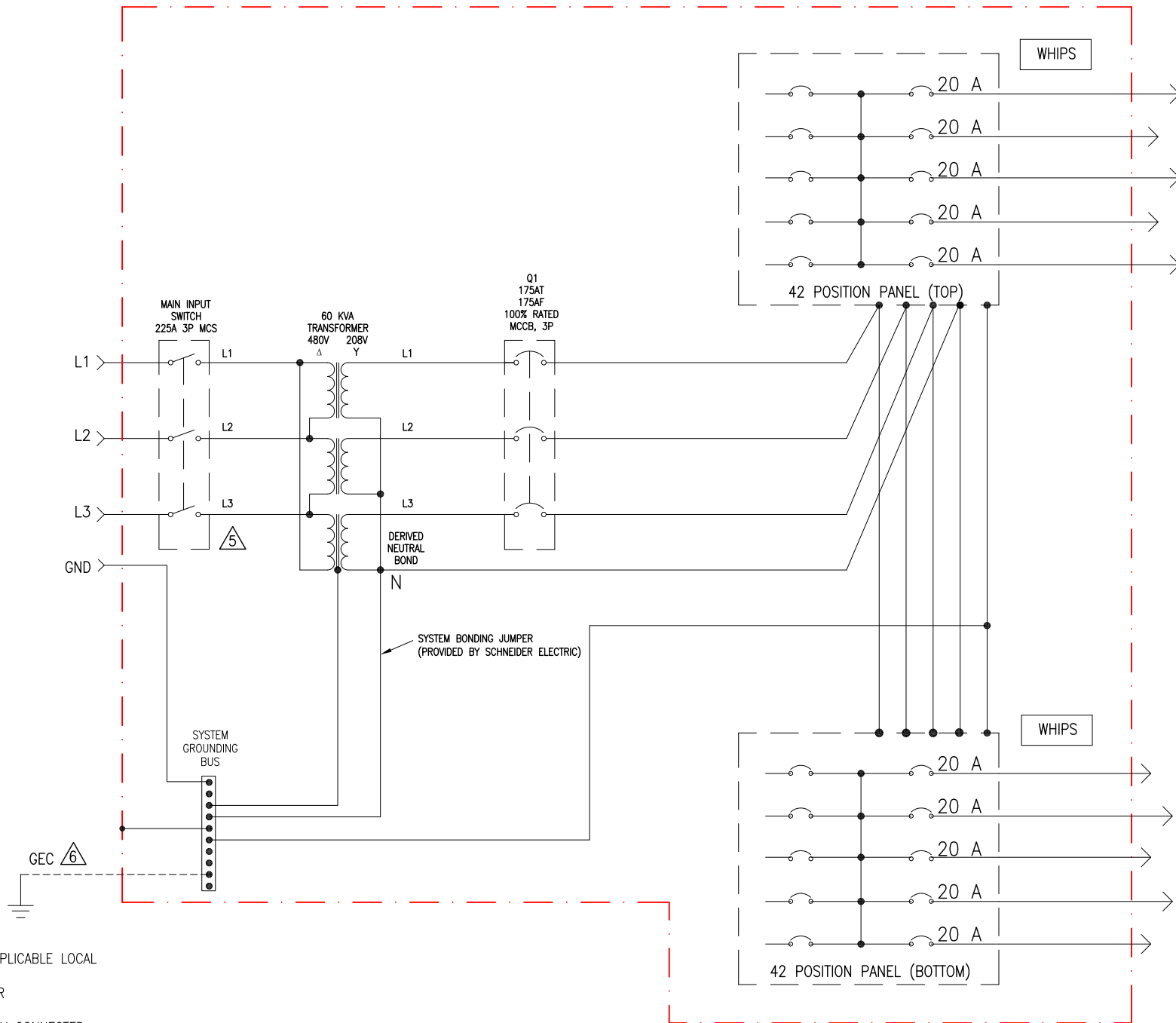
ENGINEER: J.RING/F.DIOSA 18-MAR-12

APPROVED BY: R.HANSEN/E.SILVA 18-MAR-12

THIRD

ANGLE

PROJECTION



NOTES:

1. INSTALLATION SHALL COMPLY WITH ALL APPLICABLE LOCAL AND NATIONAL CODES.
2. PLEASE REFER TO PRODUCT MANUALS FOR ADDITIONAL DETAILS.
3. RACK FRAME AND SKINS ARE ELECTRICALLY CONNECTED AND TIED TO CHASSIS GROUND.
4. TRANSFORMER BASE IS GROUNDED THROUGH FRAME.
- △ 5. SHUNT TRIP ON EPO SIGNAL
- △ 6. THIS SYSTEM SHALL BE INSTALLED AS A SEPARATELY DERIVED SYSTEM IN ACCORDANCE WITH LOCAL AND NATIONAL CODES THE GROUNDING ELECTRODE CONDUCTOR (GEC) IS PROVIDED BY OTHERS.

THIS DRAWING AND SPECIFICATIONS HEREIN ARE THE PROPERTY OF SCHNEIDER ELECTRIC AND SHALL NOT BE COPIED, REPRODUCED OR USED IN WHOLE OR IN PART, AS THE BASIS FOR THE MANUFACTURE OR SALE OF ITEMS WITHOUT WRITTEN PERMISSION FROM SCHNEIDER ELECTRIC. THIS DRAWING IS BASED UPON LATEST AVAILABLE INFORMATION AND IS SUBJECT TO CHANGE WITHOUT NOTICE.



TITLE: CONFIGURABLE POWER DISTRIBUTION
 InfraStruxure PDU 60kW
 Input: 480V, 3PH, 60Hz
 Output: 208V, 3PH, 60Hz
 FIVE LINE DIAGRAM

PROJECT: DRAWINGS SHEET 12 OF 13

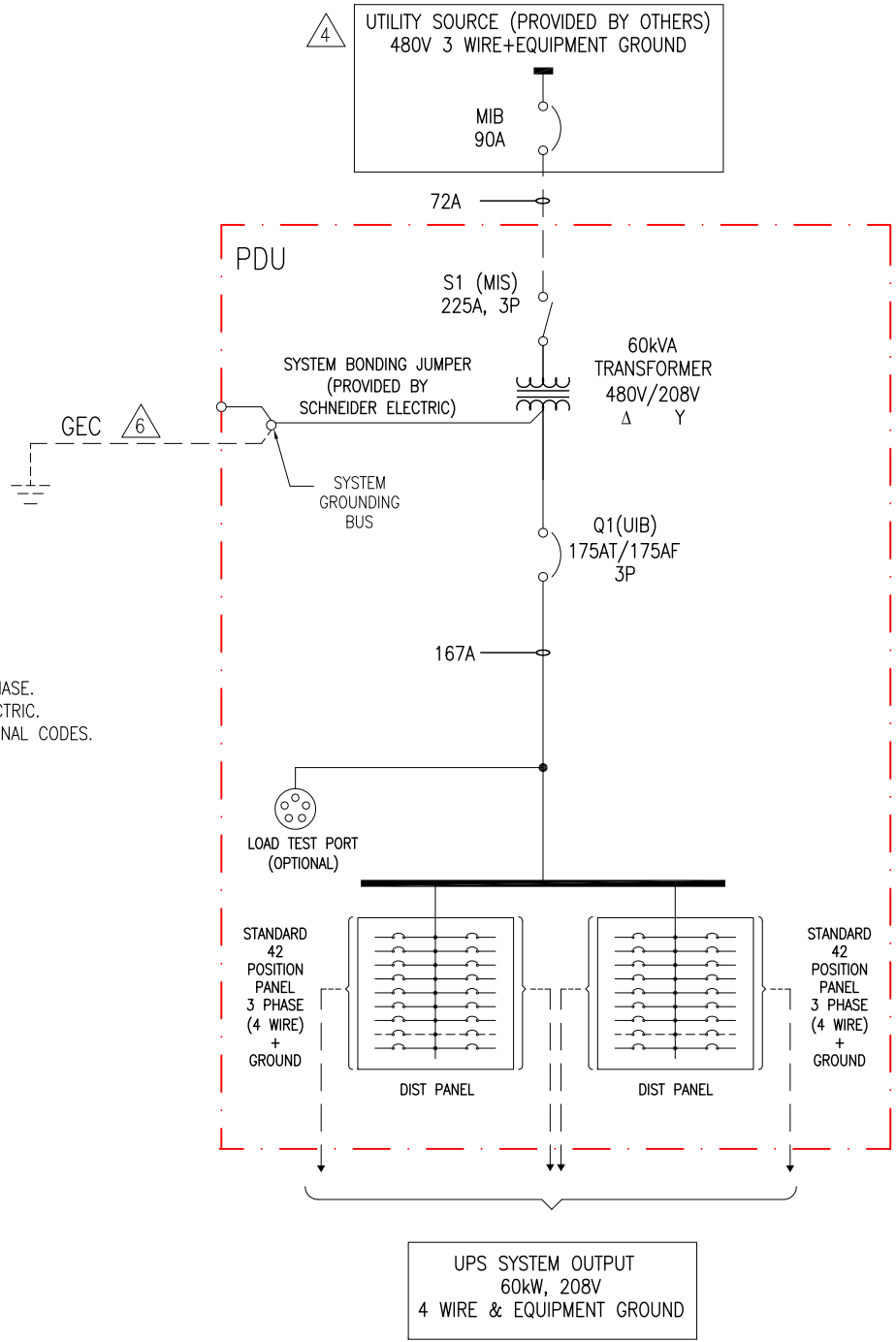
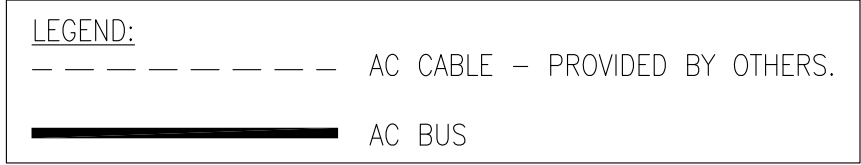
DWG NO: PD60G6FK1-M REV. 0

DRAWN BY: JAYAPRAKASH 28-FEB-12

ENGINEER: J.RING/F.DIOSA 18-MAR-12

APPROVED BY: R.HANSEN/E.SILVA 18-MAR-12

THIRD ANGLE PROJECTION



NOTES:

1. INSTALLATION SHALL COMPLY WITH ALL APPLICABLE LOCAL AND NATIONAL CODES.
2. PLEASE REFER TO PRODUCT MANUALS FOR ADDITIONAL DETAILS.
3. DRAWING DEPICTS POWER SYSTEM CONNECTIONS AND IS NOT REPRESENTATIVE OF PHYSICAL LAYOUT, PLEASE REFER TO MECHANICAL DRAWINGS FOR PHYSICAL LAYOUT.
- △ 4. AC SOURCE TO BE 480VAC 3PH 3 WIRE + EQUIPMENT GROUND (PROVIDED BY OTHERS).
5. INPUT OVERCURRENT PROTECTION AND WIRING MUST BE INSTALLED FOR A FULLY RATED 60kW SYMMETRA 3 PHASE. INPUT OVERCURRENT PROTECTION IS BASED ON 80% RATING. ANY DEVIATION PLEASE CONTACT SCHNEIDER ELECTRIC.
- △ 6. THIS SYSTEM SHALL BE INSTALLED AS A SEPARATELY DERIVED SYSTEM IN ACCORDANCE WITH LOCAL AND NATIONAL CODES. THE GROUNDING ELECTRODE CONDUCTOR (GEC) IS PROVIDED BY OTHERS.

THIS DRAWING AND SPECIFICATIONS HEREIN ARE THE PROPERTY OF SCHNEIDER ELECTRIC AND SHALL NOT BE COPIED, REPRODUCED OR USED IN WHOLE OR IN PART, AS THE BASIS FOR THE MANUFACTURE OR SALE OF ITEMS WITHOUT WRITTEN PERMISSION FROM SCHNEIDER ELECTRIC. THIS DRAWING IS BASED UPON LATEST AVAILABLE INFORMATION AND IS SUBJECT TO CHANGE WITHOUT NOTICE.



TITLE: CONFIGURABLE POWER DISTRIBUTION
 InfraStruxure PDU 60kW
 Input: 480V, 3PH, 60Hz
 Output: 208V, 3PH, 60Hz
 SYSTEM ON LE LINE DIAGRAM

PROJECT: DRAWINGS SHEET 13 OF 13

DWG NO: PD60G6FK1-M

DRAWN BY: JAYAPRAKASH/S CUNHA 03-OCT-13
 ENGINEER: R UBIERA 03-OCT-13
 APPROVED BY: R.HANSEN/G ZAPATA 03-OCT-13

REV. 1
 PROJ ANGLE
 N/A