

**NOTES:**

1. INSTALLATION MUST COMPLY WITH NATIONAL AND LOCAL ELECTRICAL REGULATIONS.
2. PLEASE REFER TO THE PRODUCT MANUALS FOR ADDITIONAL DETAILS.
3. UNLESS OTHERWISE SPECIFIED, ALL DIMENSIONS ARE IN MILLIMETERS [INCHES].
4. FRONT, REAR BAZELS AND SIDE BRACES ARE OF REMOVABLE TYPE.
5. NET WEIGHT OF UNIT IS 10.2 Kg [22.44 LBS].

THIS DRAWING AND SPECIFICATIONS HEREIN ARE THE PROPERTY OF SCHNEIDER ELECTRIC AND SHALL NOT BE COPIED, REPRODUCED OR USED IN WHOLE OR IN PART, AS THE BASIS FOR THE MANUFACTURE OR SALE OF ITEMS WITHOUT WRITTEN PERMISSION FROM SCHNEIDER ELECTRIC. THIS DRAWING IS BASED UPON LATEST AVAILABLE INFORMATION AND IS SUBJECT TO CHANGE WITHOUT NOTICE.



TITLE: ROW COOLING ACCESSORIES  
InRow ROOF HEIGHT ADAPTER  
SX42U TO SX45U, 600mm  
MAIN MECHANICAL

PROJECT: SUBMITTAL DRAWINGS SHEET 1 OF 3

DWG NO: ACAC10026

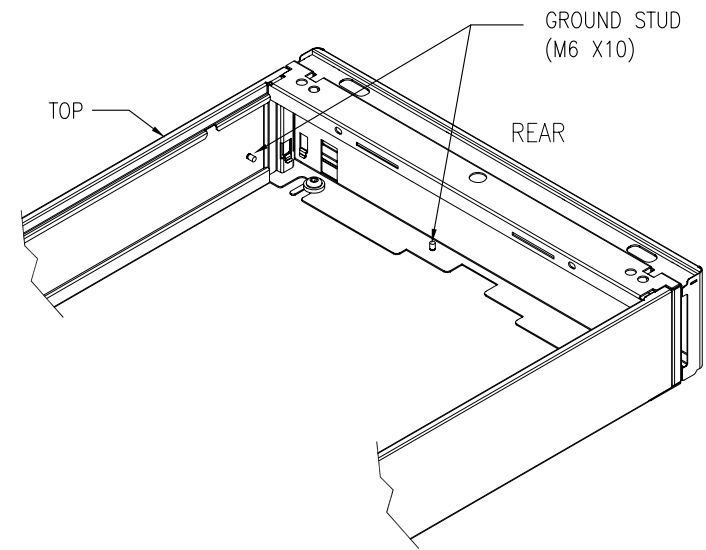
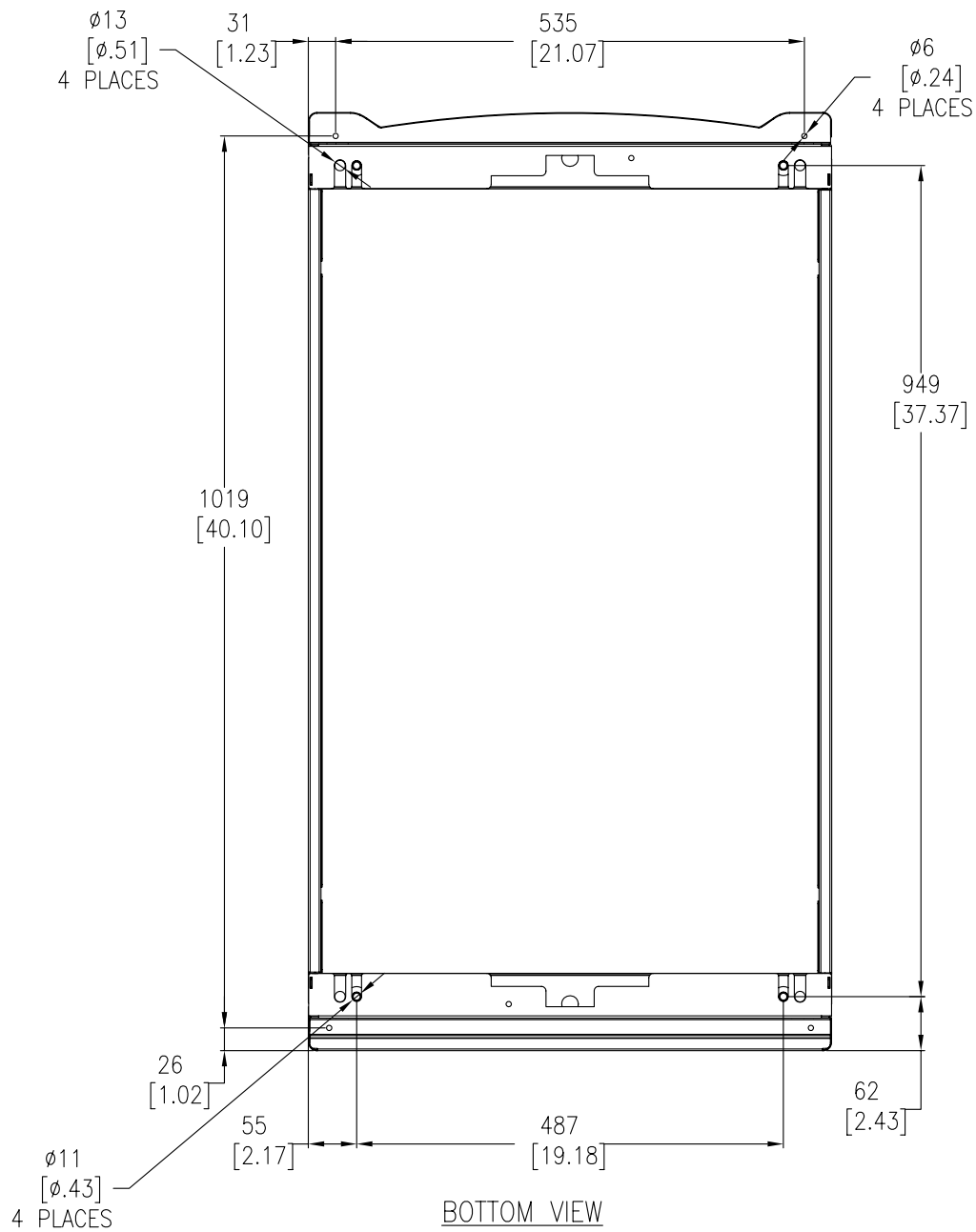
DRAWN BY: JAYAPRAKASH 30-NOV-11

ENGINEER: JACK LU/WILSON QIN 2-DEC-2011

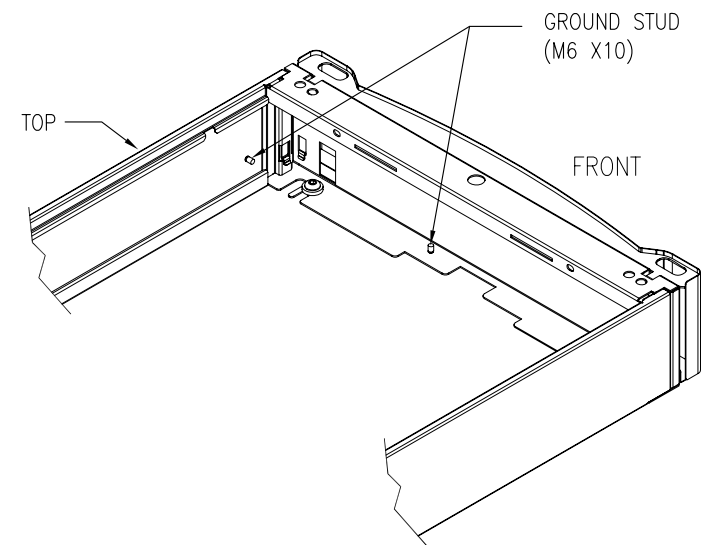
APPROVED BY: SCOTT VOCCIO 2-DEC-2011

REV: 0

FIRST ANGLE PROJECTION



ISOMETRIC VIEW



ISOMETRIC VIEW

**NOTES:**

1. INSTALLATION MUST COMPLY WITH NATIONAL AND LOCAL ELECTRICAL REGULATIONS.
2. PLEASE REFER TO THE PRODUCT MANUALS FOR ADDITIONAL DETAILS.
3. UNLESS OTHERWISE SPECIFIED, ALL DIMENSIONS ARE IN MILLIMETERS [INCHES].

THIS DRAWING AND SPECIFICATIONS HEREIN ARE THE PROPERTY OF SCHNEIDER ELECTRIC AND SHALL NOT BE COPIED, REPRODUCED OR USED IN WHOLE OR IN PART, AS THE BASIS FOR THE MANUFACTURE OR SALE OF ITEMS WITHOUT WRITTEN PERMISSION FROM SCHNEIDER ELECTRIC. THIS DRAWING IS BASED UPON LATEST AVAILABLE INFORMATION AND IS SUBJECT TO CHANGE WITHOUT NOTICE.



TITLE: ROW COOLING ACCESSORIES  
 InRow ROOF HEIGHT ADAPTER  
 SX42U TO SX45U, 600mm  
 BOTTOM VIEW & ISOMETRIC VIEWS

PROJECT: SUBMITTAL DRAWINGS SHEET 2 OF 3

DWG NO: ACAC10026

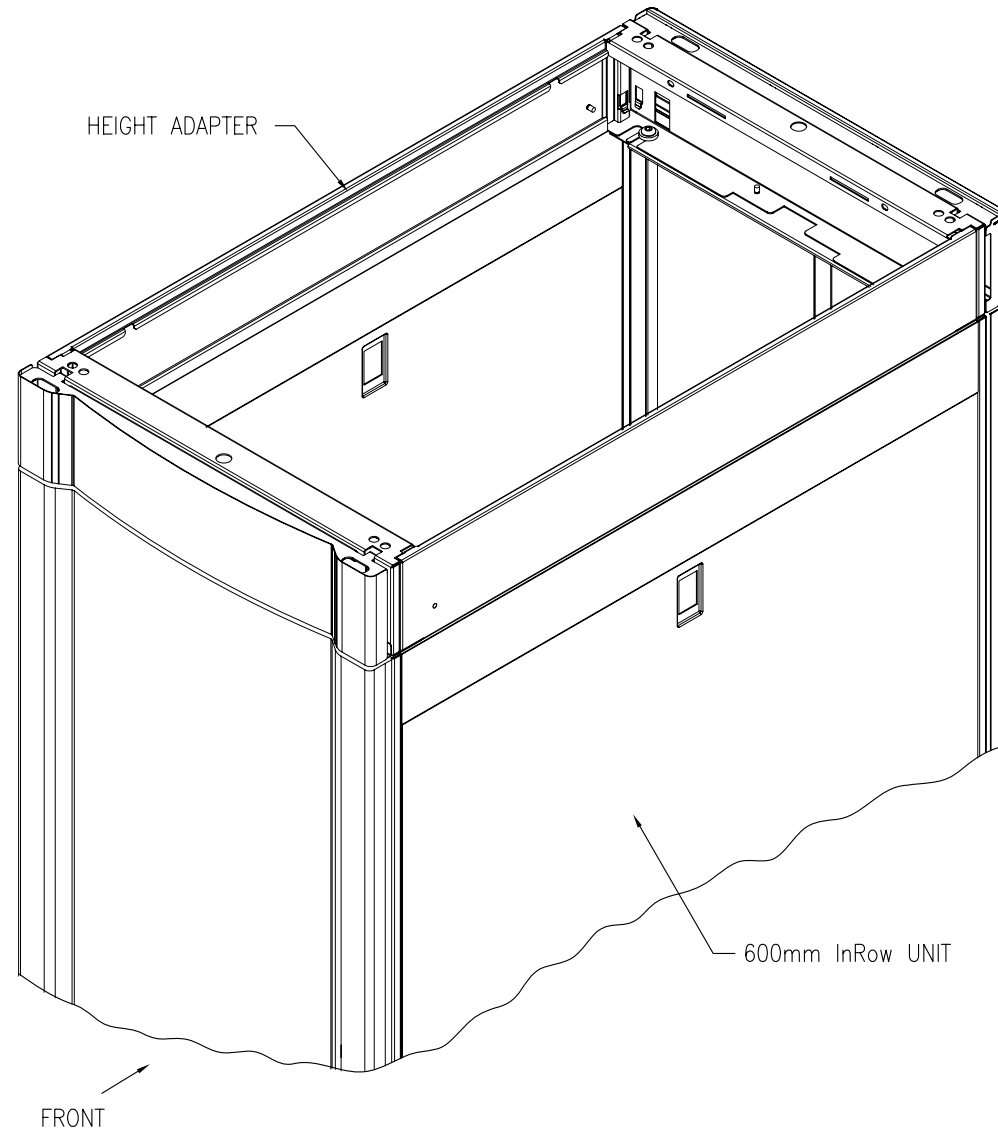
DRAWN BY: JAYAPRAKASH 30-NOV-11  
 ENGINEER: JACK LU/WILSON QIN 2-DEC-2011

APPROVED BY: SCOTT VOCCIO 2-DEC-2011

REV. 0

FIRST ANGLE PROJECTION

TYPICAL APPLICATION OF HEIGHT ADAPTER FOR 600mm InRow UNIT



NOTES:

1. INSTALLATION MUST COMPLY WITH NATIONAL AND LOCAL ELECTRICAL REGULATIONS.
2. PLEASE REFER TO THE PRODUCT MANUALS FOR ADDITIONAL DETAILS.
3. FOR InRow UNIT:  
REMOVE THE ROOFCOVER, INSTALL THE HEIGHT ADAPTER AND RE-INSTALL THE ROOF COVER.

THIS DRAWING AND SPECIFICATIONS HEREIN ARE THE PROPERTY OF SCHNEIDER ELECTRIC AND SHALL NOT BE COPIED, REPRODUCED OR USED IN WHOLE OR IN PART, AS THE BASIS FOR THE MANUFACTURE OR SALE OF ITEMS WITHOUT WRITTEN PERMISSION FROM SCHNEIDER ELECTRIC. THIS DRAWING IS BASED UPON LATEST AVAILABLE INFORMATION AND IS SUBJECT TO CHANGE WITHOUT NOTICE.

**Schneider  
Electric**

TITLE:  
ROW COOLING ACCESSORIES  
InRow ROOF HEIGHT ADAPTER  
SX42U TO SX45U, 600mm  
TYPICAL INSTALLATION

DWG NO: ACAC10026 REV. 0

DRAWN BY: JAYAPRAKASH 30-NOV-11

ENGINEER: JACK LU/WILSON QIN 2-DEC-2011

APPROVED BY: SCOTT VOCCIO 2-DEC-2011

PROJECT: SUBMITTAL DRAWINGS SHEET 3 OF 3

FIRST  
ANGLE  
PROJECTION