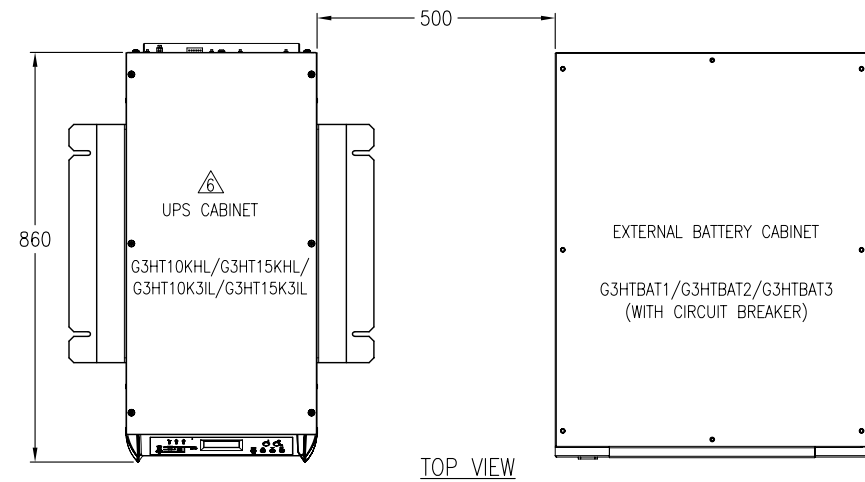
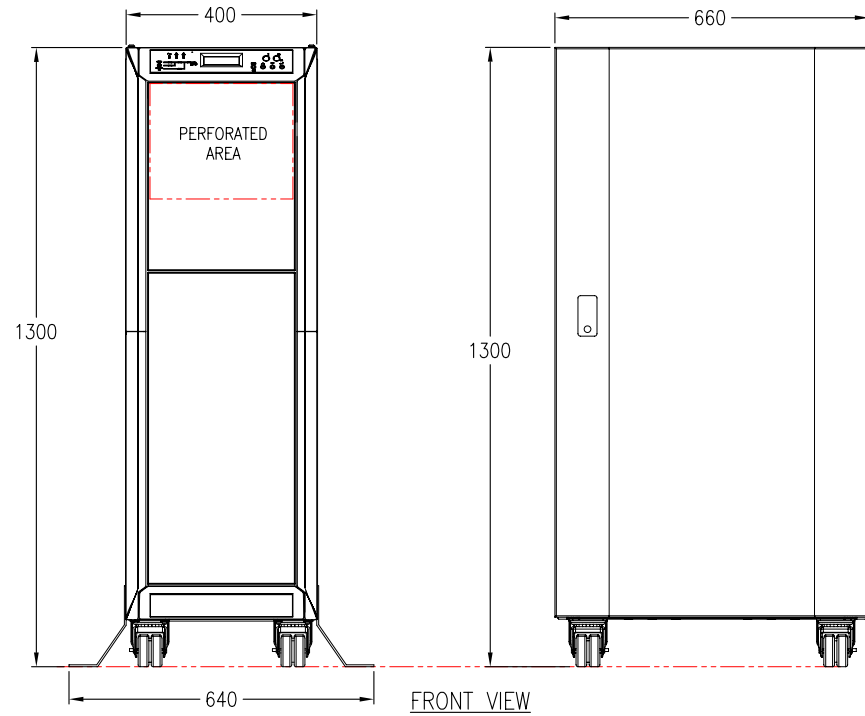


OPTION 1: UPS WITH EXTERNAL BATTERY CABINET



NOTES:

1. INSTALLATION SHALL COMPLY WITH ALL APPLICABLE NATIONAL AND LOCAL ELECTRICAL REGULATIONS.
2. PLEASE REFER TO PRODUCT MANUALS FOR ADDITIONAL DETAILS.
3. ALL DIMENSIONS ARE IN MILLIMETERS UNLESS OTHERWISE SPECIFIED.
4. REFER TO CORRESPONDING MECHANICAL DRAWINGS FOR WEIGHT, RUNTIME AND BATTERY DETAILS.
5. ONE EXTERNAL BATTERY CABINET WITH A CIRCUIT BREAKER CAN BE CONNECTED TO THE UPS BY A BATTERY CABLE. CABLES ARE PART OF UPS AND BATTERY CABINET.
- △ 6. MAKE SURE THAT THERE ARE NO BATTERIES IN THE UPS CABINET BEFORE CONNECTING THE EXTERNAL BATTERY CABINET.

THIS DRAWING AND SPECIFICATIONS HEREIN ARE THE PROPERTY OF SCHNEIDER ELECTRIC AND SHALL NOT BE COPIED, REPRODUCED OR USED IN WHOLE OR IN PART, AS THE BASIS FOR THE MANUFACTURE OR SALE OF ITEMS WITHOUT WRITTEN PERMISSION FROM SCHNEIDER ELECTRIC. THIS DRAWING IS BASED UPON LATEST AVAILABLE INFORMATION AND IS SUBJECT TO CHANGE WITHOUT NOTICE.

Schneider
Electric

TITLE: MGE GALAXY 300
10-15kVA, 400V, 3PH/1PH
UPS WITH XR BATTERY CABINET
GENERAL ARRANGEMENT-1

DWG NO: G3HT10K15BAT

REV: 0

DRAWN: JAYAPRAKASH 31-MAY-10

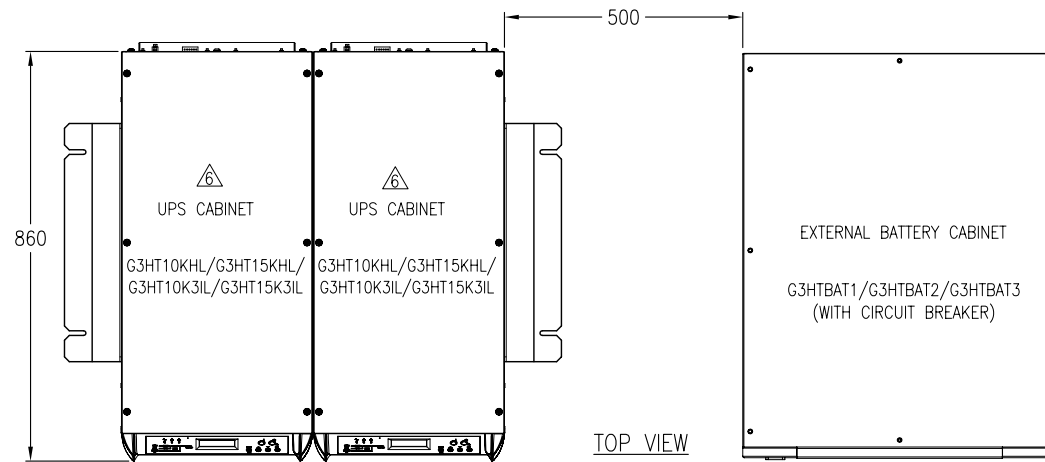
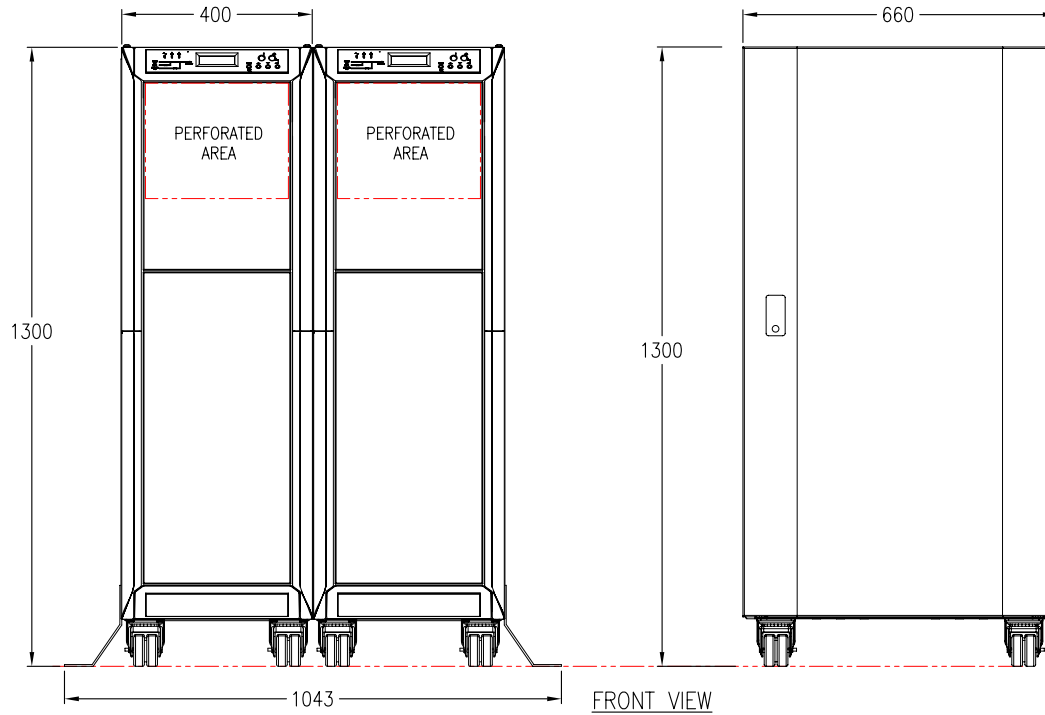
ENGINEER: ALEX ZHANG 26-AUG-10

APPROVED: C.LARSEN/S.WAGH 26-AUG-10

FIRST
ANGLE
PROJECTION

PROJECT: SUBMITTAL DRAWINGS SHEET 1 OF 3

OPTION 2: UPS BAYED TOGETHER WITH EXTERNAL BATTERY CABINET



NOTES:

1. INSTALLATION SHALL COMPLY WITH ALL APPLICABLE NATIONAL AND LOCAL ELECTRICAL REGULATIONS.
2. PLEASE REFER TO PRODUCT MANUALS FOR ADDITIONAL DETAILS.
3. ALL DIMENSIONS ARE IN MILLIMETERS UNLESS OTHERWISE SPECIFIED.
4. REFER TO CORRESPONDING MECHANICAL DRAWINGS FOR WEIGHT, RUNTIME AND BATTERY DETAILS.
5. ONE EXTERNAL BATTERY CABINET WITH A CIRCUIT CIRCUIT BREAKER CAN BE CONNECTED TO THE UPS BY A BATCH CABLE. CABLES ARE PART OF UPS AND BATTERY CABINET.
- △6. MAKE SURE THAT THERE ARE NO BATTERIES IN THE UPS CABINET BEFORE CONNECTING THE EXTERNAL BATTERY CABINET.

THIS DRAWING AND SPECIFICATIONS HEREIN ARE THE PROPERTY OF SCHNEIDER ELECTRIC AND SHALL NOT BE COPIED, REPRODUCED OR USED IN WHOLE OR IN PART, AS THE BASIS FOR THE MANUFACTURE OR SALE OF ITEMS WITHOUT WRITTEN PERMISSION FROM SCHNEIDER ELECTRIC. THIS DRAWING IS BASED UPON LATEST AVAILABLE INFORMATION AND IS SUBJECT TO CHANGE WITHOUT NOTICE.

Schneider Electric

TITLE: MGE GALAXY 300
10-15kVA, 400V, 3PH/1PH
1+1 REDUNDANT CONFIG. WITH XR BATTERY CABINET
GENERAL ARRANGEMENT-2

DWG NO: G3HT10K15BAT REV: 0

DRAWN: JAYAPRAKASH 31-MAY-10

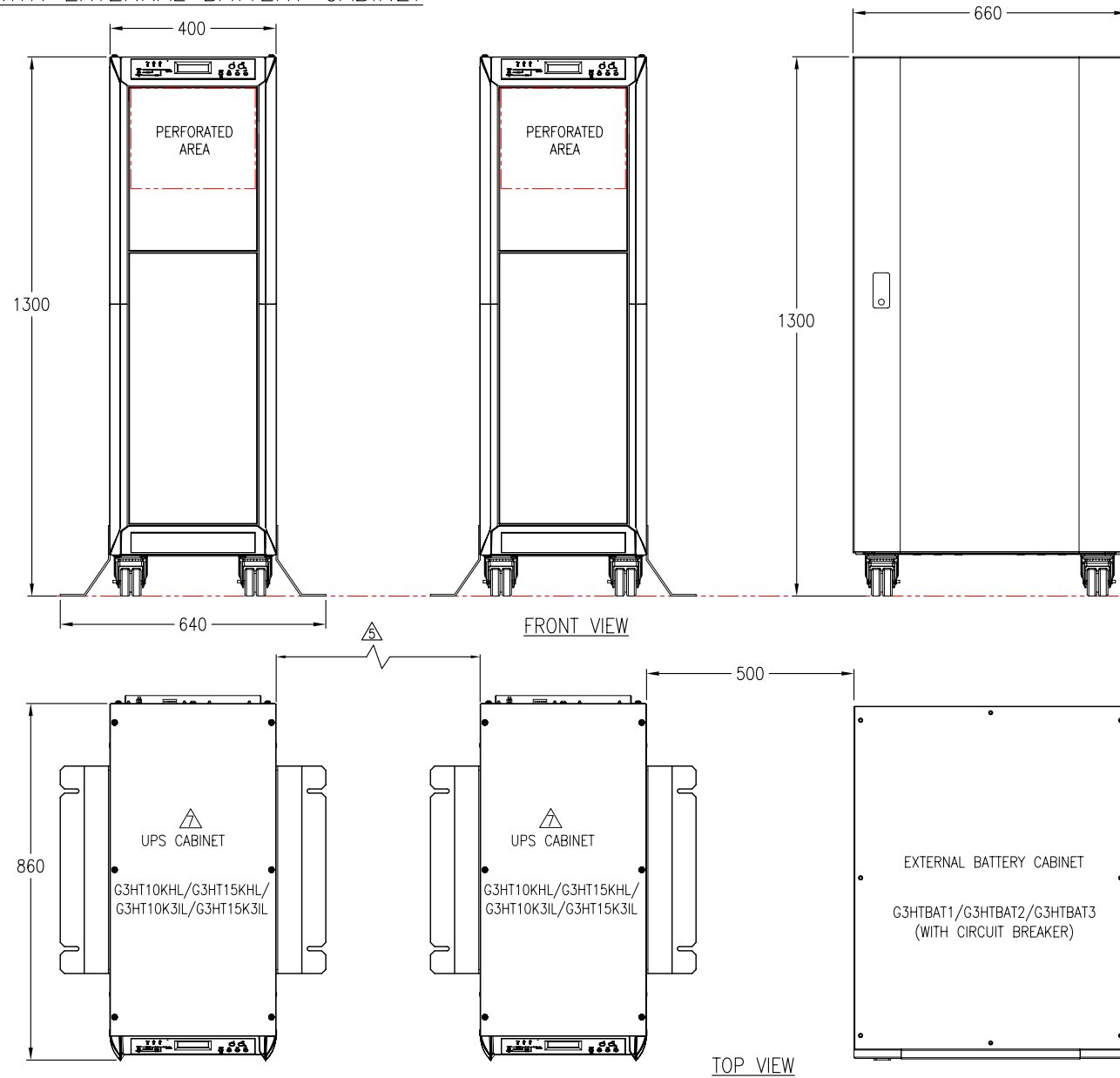
ENGINEER: ALEX ZHANG 26-AUG-10

APPROVED: C.LARSEN/S.WAGH 26-AUG-10

PROJECT: SUBMITTAL DRAWINGS SHEET 2 OF 3

FIRST ANGLE PROJECTION

OPTION 3: 1+1 UPS PLACED APART WITH EXTERNAL BATTERY CABINET



NOTES:

1. INSTALLATION SHALL COMPLY WITH ALL APPLICABLE NATIONAL AND LOCAL ELECTRICAL REGULATIONS.
2. PLEASE REFER TO PRODUCT MANUALS FOR ADDITIONAL DETAILS.
3. ALL DIMENSIONS ARE IN MILLIMETERS UNLESS OTHERWISE SPECIFIED.
4. REFER TO CORRESPONDING MECHANICAL DRAWINGS FOR WEIGHT, RUNTIME AND BATTERY DETAILS.
- △5. UPS UNITS CAN RUN IN PARALLEL WITH A MAXIMUM DISTANCE OF 15meter BETWEEN EACH OTHER.
6. ONE EXTERNAL BATTERY CABINET WITH A CIRCUIT CIRCUIT BREAKER CAN BE CONNECTED TO THE UPS BY A BATCH CABLE. CABLES ARE PART OF UPS AND BATTERY CABINET.
- △7. MAKE SURE THAT THERE ARE NO BATTERIES IN THE UPS CABINET BEFORE CONNECTING THE EXTERNAL BATTERY CABINET.

THIS DRAWING AND SPECIFICATIONS HEREIN ARE THE PROPERTY OF SCHNEIDER ELECTRIC AND SHALL NOT BE COPIED, REPRODUCED OR USED IN WHOLE OR IN PART, AS THE BASIS FOR THE MANUFACTURE OR SALE OF ITEMS WITHOUT WRITTEN PERMISSION FROM SCHNEIDER ELECTRIC. THIS DRAWING IS BASED UPON LATEST AVAILABLE INFORMATION AND IS SUBJECT TO CHANGE WITHOUT NOTICE.

Schneider Electric

TITLE: MGE GALAXY 300
10-15kVA, 400V, 3PH/1PH
1+1 REDUNDANT CONFIG. WITH XR BATTERY CABINET
GENERAL ARRANGEMENT-3

DWG NO: G3HT10K15BAT REV: 0

DRAWN: JAYAPRAKASH 31-MAY-10

ENGINEER: ALEX ZHANG 26-AUG-10

PROJECT: SUBMITTAL DRAWINGS SHEET 3 OF 3

APPROVED: C.LARSEN/S.WAGH 26-AUG-10

FIRST ANGLE PROJECTION