

△ CENTER OF GRAVITY DETAILS

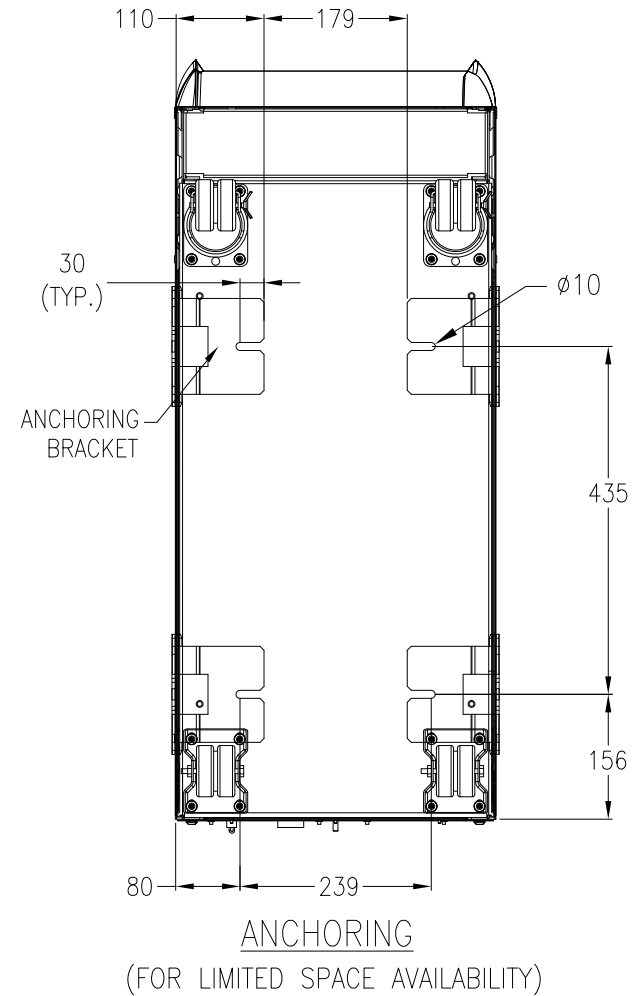
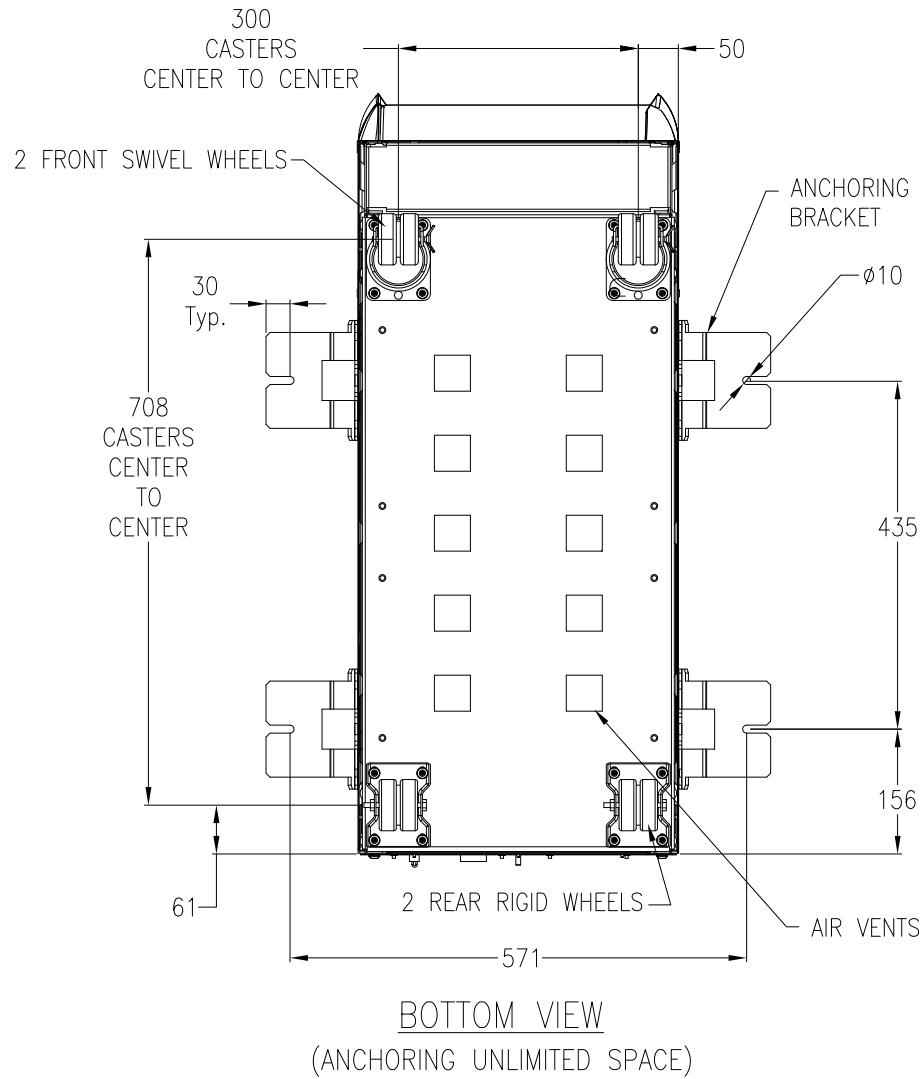
Rating	SKU Number	COG Details in mm		
		X-Distance	Y-Distance	Z-Distance
10kVA	G3HT10K31L	192	760	431
15kVA	G3HT15K31L	192	760	431

- NOTES:
1. INSTALLATION SHALL COMPLY WITH ALL APPLICABLE NATIONAL AND LOCAL ELECTRICAL REGULATIONS.
 2. PLEASE REFER TO PRODUCT MANUALS FOR ADDITIONAL DETAILS.
 3. ALL DIMENSIONS ARE IN MILLIMETERS UNLESS OTHERWISE SPECIFIED.
 4. CABLE ENTRY IS REAR OF UNIT.
 - △ 5. REAR CLEARANCE: FOR VENTILATION MINIMUM 500mm FOR SERVICE MINIMUM 700mm.
 6. WEIGHT OF UNIT WITHOUT BATTERY IS 145kg.
 7. COLOR: RAL 9023.
 - △ 8. ANCHORING BRACKETS ARE PART OF SKU AND PROVIDED BY APC. UPS WITHOUT BATTERIES MUST BE ANCHORED TO THE FLOOR.
 - △ 9. REFER TO TABLE FOR CENTER OF GRAVITY DETAILS.
 10. UP TO TWO UPS UNITS CAN RUN IN PARALLEL WITH A DISTANCE UP TO 12m BETWEEN EACH OTHER.

THIS DRAWING AND SPECIFICATIONS HEREIN ARE THE PROPERTY OF SCHNEIDER ELECTRIC AND SHALL NOT BE COPIED, REPRODUCED OR USED IN WHOLE OR IN PART, AS THE BASIS FOR THE MANUFACTURE OR SALE OF ITEMS WITHOUT WRITTEN PERMISSION FROM SCHNEIDER ELECTRIC. THIS DRAWING IS BASED UPON LATEST AVAILABLE INFORMATION AND IS SUBJECT TO CHANGE WITHOUT NOTICE.



TITLE:	MGE GALAXY 300 WITH LONG BACKUP CHARGER INPUT: 400V, 3PH OUTPUT: 10-15kVA, 400V, 1PH MAIN MECHANICAL	DWG NO:	G3HT10K3115L	REV:	2
PROJECT:	SUBMITTAL DRAWINGS	DRAWN:	C KRISHNA	17-JUL-15	FIRST ANGLE PROJECTION
SHEET	1 OF 5	ENGINEER:	ALEX ZHANG	17-JUL-15	
		APPROVED:	C.LARSEN/S.WAGH	17-JUL-15	



NOTES:

1. INSTALLATION SHALL COMPLY WITH ALL APPLICABLE NATIONAL AND LOCAL ELECTRICAL REGULATIONS.
2. PLEASE REFER TO PRODUCT MANUALS FOR ADDITIONAL DETAILS.
3. ALL DIMENSIONS ARE IN MILLIMETERS UNLESS OTHERWISE SPECIFIED.
4. SOME STRUCTURAL DETAILS HAVE BEEN OMITTED FOR THE PURPOSE OF CLARITY.

THIS DRAWING AND SPECIFICATIONS HEREIN ARE THE PROPERTY OF SCHNEIDER ELECTRIC AND SHALL NOT BE COPIED, REPRODUCED OR USED IN WHOLE OR IN PART, AS THE BASIS FOR THE MANUFACTURE OR SALE OF ITEMS WITHOUT WRITTEN PERMISSION FROM SCHNEIDER ELECTRIC. THIS DRAWING IS BASED UPON LATEST AVAILABLE INFORMATION AND IS SUBJECT TO CHANGE WITHOUT NOTICE.



TITLE: MGE GALAXY 300
WITH LONG BACKUP CHARGER
INPUT: 400V, 3PH
OUTPUT: 10-15kVA, 400V, 1PH
BOTTOM VIEW AND ANCHORING DETAILS

DWG NO: G3HT10K3115L

REV. 1

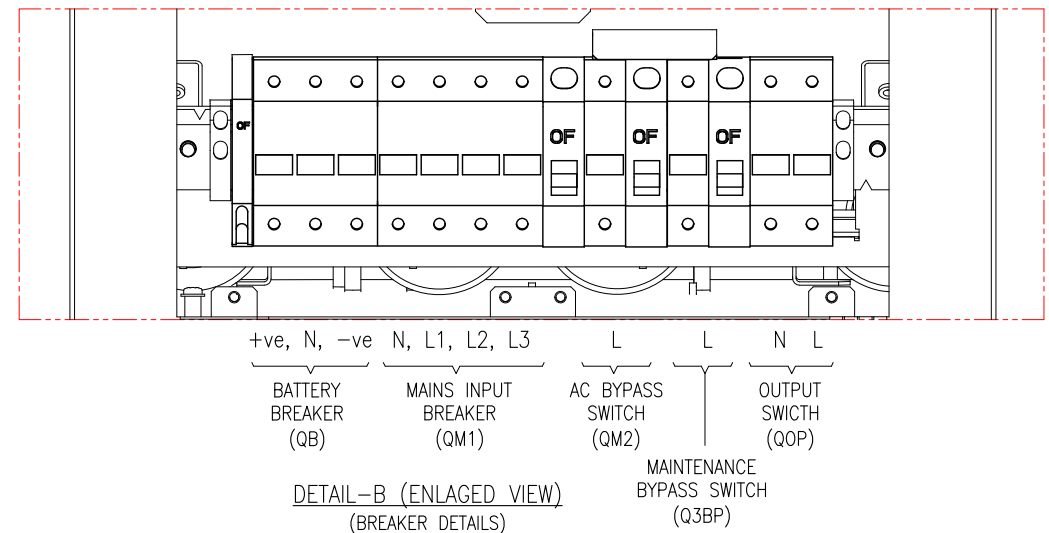
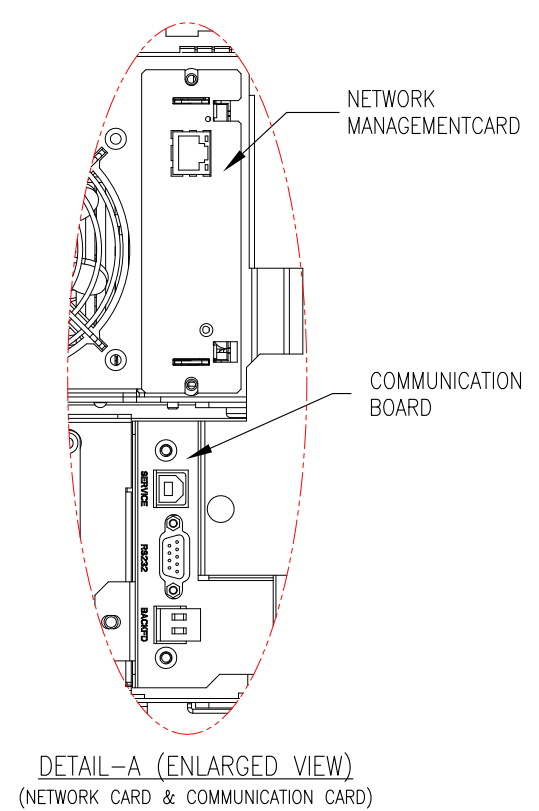
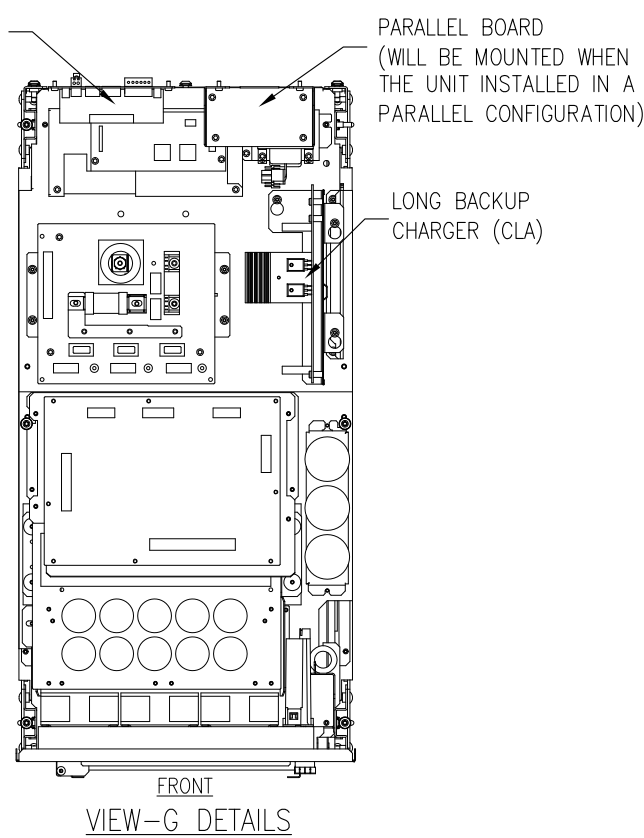
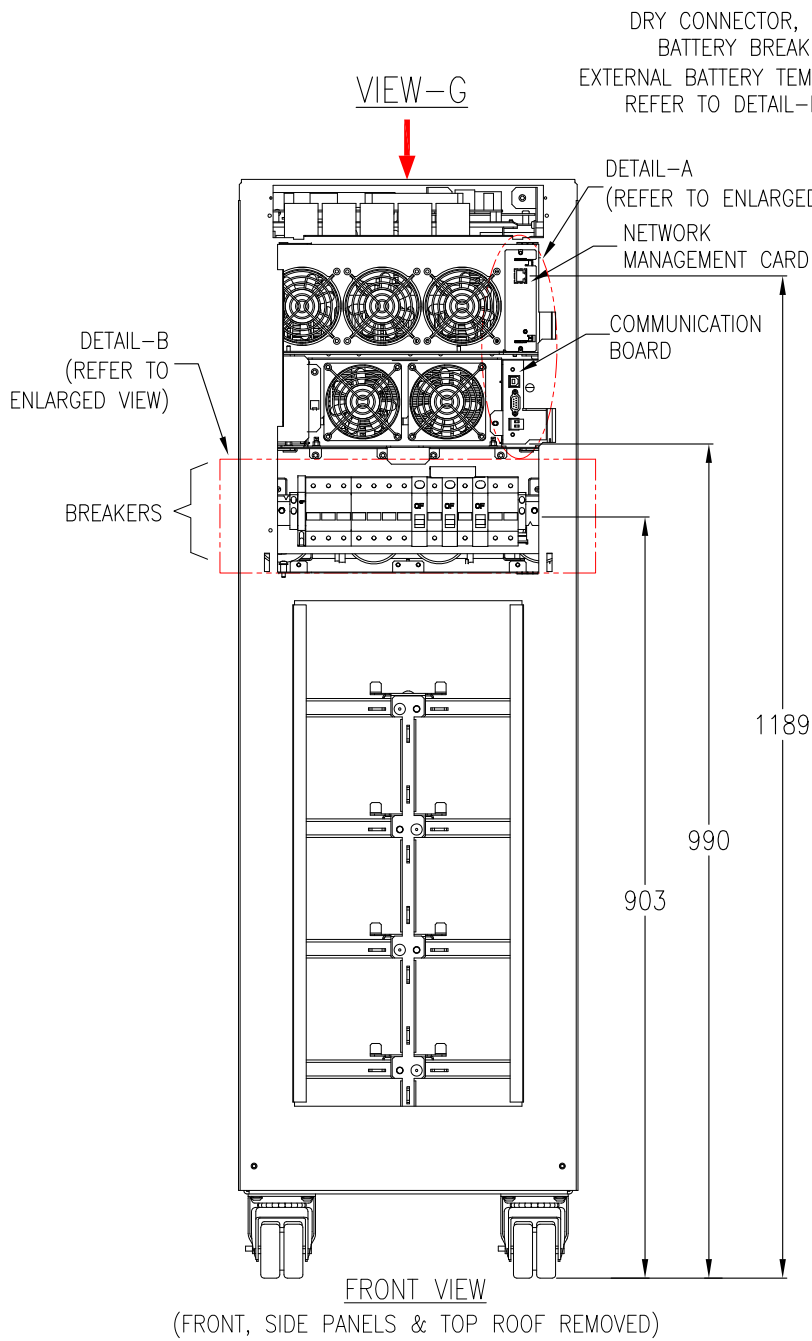
DRAWN: C KRISHNA 17-JUL-15

ENGINEER: ALEX ZHANG 17-JUL-15

APPROVED: C.LARSEN/S.WAGH 17-JUL-15

PROJECT: SUBMITTAL DRAWINGS SHEET 2 OF 5

FIRST
ANGLE
PROJECTION



NOTES:

1. INSTALLATION SHALL COMPLY WITH ALL APPLICABLE NATIONAL AND LOCAL ELECTRICAL REGULATIONS..
2. PLEASE REFER TO PRODUCT MANUALS FOR ADDITIONAL DETAILS.
3. ALL DIMENSIONS ARE IN MILLIMETERS UNLESS OTHERWISE SPECIFIED.
4. SOME STRUCTURAL DETAILS HAVE BEEN OMITTED FOR THE PURPOSE OF CLARITY.
5. PLEASE CONTACT APC FOR CONNECTING EXTERNAL BATTERIES.

THIS DRAWING AND SPECIFICATIONS HEREIN ARE THE PROPERTY OF SCHNEIDER ELECTRIC AND SHALL NOT BE COPIED, REPRODUCED OR USED IN WHOLE OR IN PART, AS THE BASIS FOR THE MANUFACTURE OR SALE OF ITEMS WITHOUT WRITTEN PERMISSION FROM SCHNEIDER ELECTRIC. THIS DRAWING IS BASED UPON LATEST AVAILABLE INFORMATION AND IS SUBJECT TO CHANGE WITHOUT NOTICE.



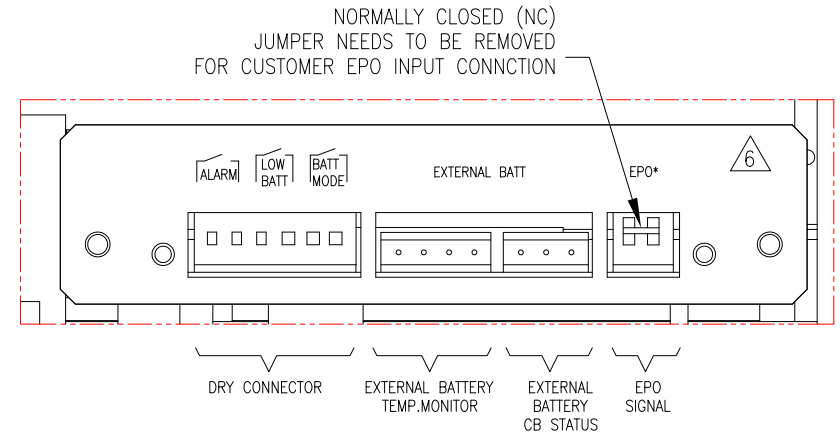
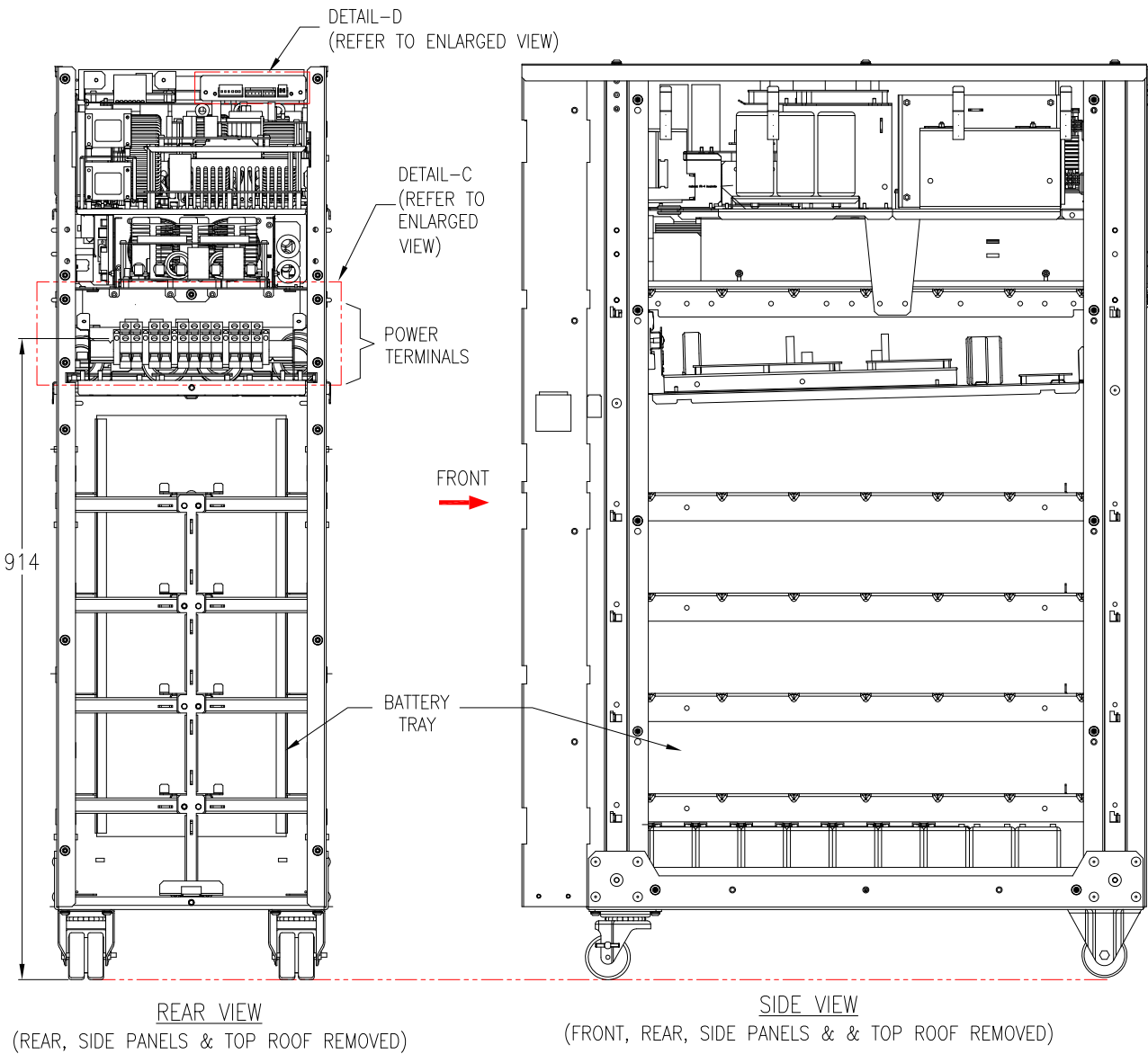
TITLE: MGE GALAXY 300 WITH LONG BACKUP CHARGER
INPUT: 400V, 3PH
OUTPUT: 10-15kVA, 400V, 1PH
INTERNAL VIEW-1 AND DETAILS

PROJECT: SUBMITTAL DRAWINGS SHEET 3 OF 5

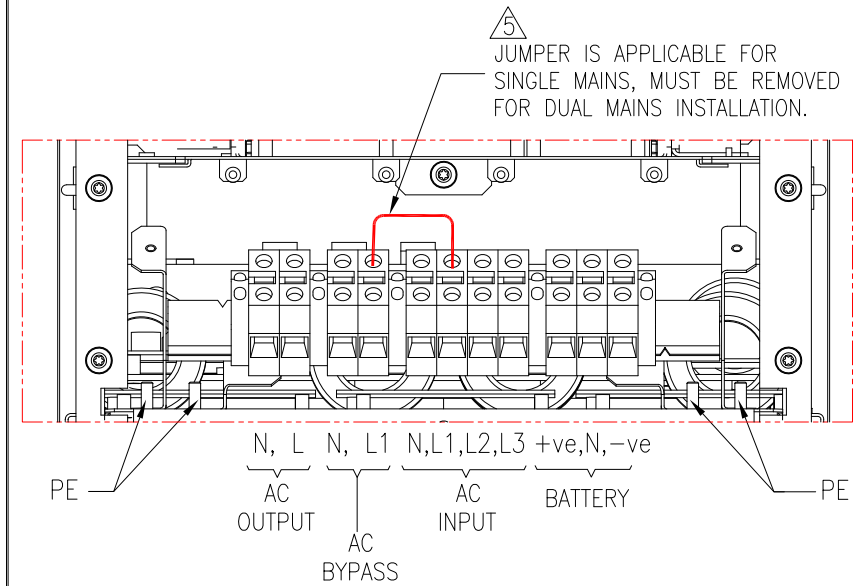
DWG NO: G3HT10K3115L
DRAWN: JP / KN
ENGINEER: ALEX ZHANG

APPROVED: S.ANDERSEN/S.WAGH

REV. 1
27-NOV-15
27-NOV-15
27-NOV-15
FIRST ANGLE PROJECTION



DETAIL-D (ENLARGED VIEW)
(EPO & OPTIONAL SIGNAL CABLE CONNECTIONS)



DETAIL-C (ENLARGED VIEW)
(CABLE TERMINALS DETAILS)
REFER TO SHEET-5 FOR RECOMMENDED CABLE SIZES

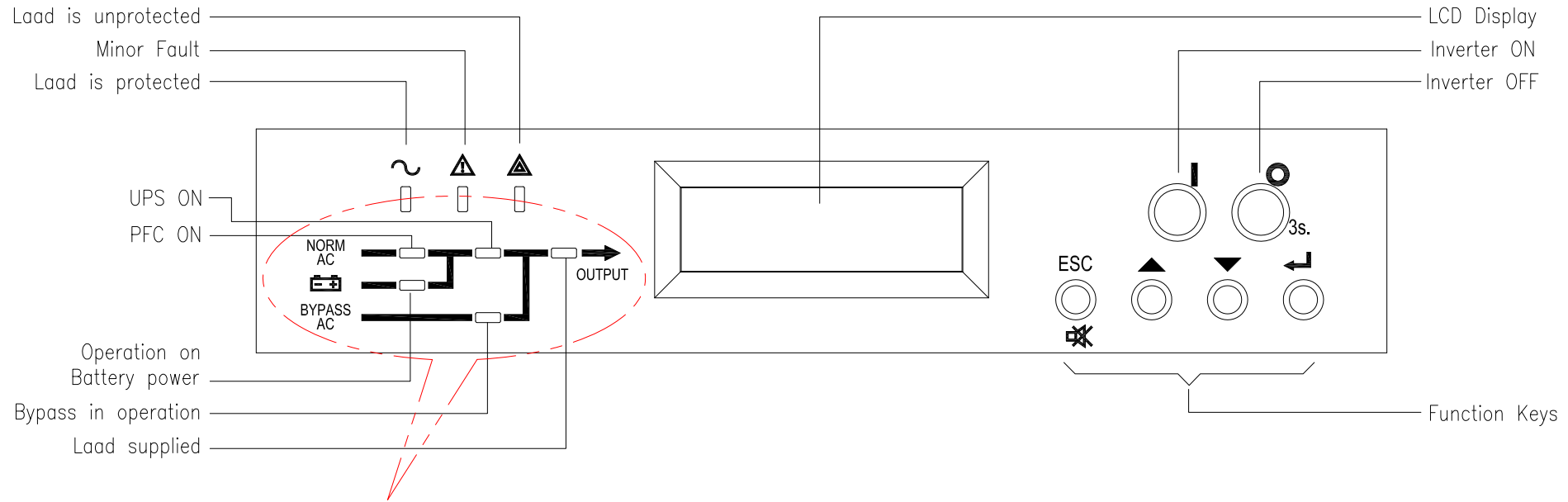
- NOTES:**
1. INSTALLATION SHALL COMPLY WITH ALL APPLICABLE NATIONAL AND LOCAL ELECTRICAL REGULATIONS.
 2. PLEASE REFER TO PRODUCT MANUALS FOR ADDITIONAL DETAILS.
 3. ALL DIMENSIONS ARE IN MILLIMETERS UNLESS OTHERWISE SPECIFIED.
 4. SOME STRUCTURAL DETAILS HAVE BEEN OMITTED FOR THE PURPOSE OF CLARITY.
- △ 5. GALAXY300 UPS IS DESIGNED FOR SINGLE AND DUAL MAINS.
SINGLE MAINS INSTALLATION IS A DEFAULT.
- △ 6. PLEASE REFER TO CORRESPONDING WIRING DIAGRAMS FOR INTERFACING DETAILS.
7. FOR RECOMMENDED BATTERY CONFIGURATION, PLEASE REFER TO DRAWING G3HTBAT.

THIS DRAWING AND SPECIFICATIONS HEREIN ARE THE PROPERTY OF SCHNEIDER ELECTRIC AND SHALL NOT BE COPIED, REPRODUCED OR USED IN WHOLE OR IN PART, AS THE BASIS FOR THE MANUFACTURE OR SALE OF ITEMS WITHOUT WRITTEN PERMISSION FROM SCHNEIDER ELECTRIC. THIS DRAWING IS BASED UPON LATEST AVAILABLE INFORMATION AND IS SUBJECT TO CHANGE WITHOUT NOTICE.



TITLE:	MGE GALAXY 300 WITH LONG BACKUP CHARGER INPUT: 400V, 3PH OUTPUT: 10-15kVA, 400V, 1PH INTERNAL VIEW-2 AND DETAILS	DWG NO:	G3HT10K3115L	REV:	2
PROJECT:	SUBMITTAL DRAWINGS	DRAWN:	C KRISHNA	17-JUL-15	FIRST ANGLE
SHEET	4 OF 5	ENGINEER:	ALEX ZHANG	17-JUL-15	PROJECTION
		APPROVED:	C.LARSEN/S.WAGH	17-JUL-15	

DISPLAY INTERFACE (ENLARGED VIEW)



LED Status of the flow diagram
 GREEN—when the function is active
 RED—when a fault has occurred in the function
 OFF—when the function is inactive

NOTES:
 1. WIRING SHALL COMPLY WITH ALL APPLICABLE NATIONAL AND LOCAL ELECTRICAL REGULATIONS.
 2. PLEASE REFER TO PRODUCT MANUALS FOR ADDITIONAL DETAILS.

THIS DRAWING AND SPECIFICATIONS HEREIN ARE THE PROPERTY OF SCHNEIDER ELECTRIC AND SHALL NOT BE COPIED, REPRODUCED OR USED IN WHOLE OR IN PART, AS THE BASIS FOR THE MANUFACTURE OR SALE OF ITEMS WITHOUT WRITTEN PERMISSION FROM SCHNEIDER ELECTRIC. THIS DRAWING IS BASED UPON LATEST AVAILABLE INFORMATION AND IS SUBJECT TO CHANGE WITHOUT NOTICE.



TITLE:	MGE GALAXY 300 WITH LONG BACKUP CHARGER INPUT: 400V, 3PH OUTPUT: 10-15kVA, 400V, 1PH	DWG NO:	G3HT10K3115L	REV:	1
PROJECT:	SUBMITTAL DRAWINGS	SHEET	5 OF 5	APPROVED:	C.LARSEN/S.WAGH
ENGINEER:	ALEX ZHANG	DATE:	29-APR-11	PROJECT:	ANGLE
DRAWN:	C KRISHNA	DATE:	17-JUL-15	PROJECTION:	FIRST