

**△ CENTER OF GRAVITY DETAILS**

Rating	SKU Number	COG Details in mm		
		X-Distance	Y-Distance	Z-Distance
10kVA	G3HT10KHL	192	760	431
15kVA	G3HT15KHL	192	760	431
20kVA	G3HT20KHL	192	760	431

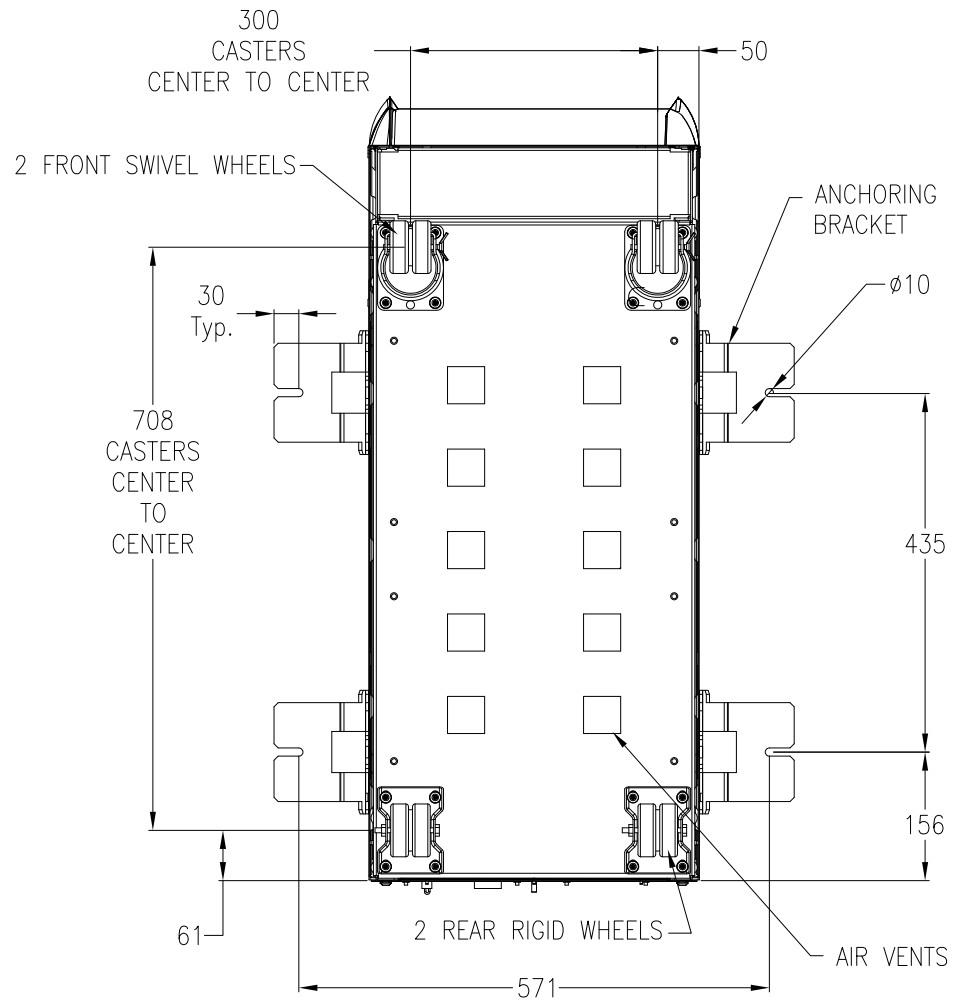
**NOTES:**

1. INSTALLATION SHALL COMPLY WITH ALL APPLICABLE NATIONAL AND LOCAL ELECTRICAL REGULATIONS.
2. PLEASE REFER TO PRODUCT MANUALS FOR ADDITIONAL DETAILS.
3. ALL DIMENSIONS ARE IN MILLIMETERS UNLESS OTHERWISE SPECIFIED.
4. CABLE ENTRY IS REAR OF UNIT.
- △ 5. REAR CLEARANCE: FOR VENTILATION MINIMUM 500mm FOR SERVICE MINIMUM 700mm.
6. WEIGHT OF UNIT IS 130kg.
7. COLOR: RAL 9023.
- △ 8. ANCHORING BRACKETS ARE PART OF SKU AND PROVIDED BY APC. UPS WITHOUT BATTERIES MUST BE ANCHORED TO THE FLOOR.
- △ 9. REFER TO TABLE FOR CENTER OF GRAVITY DETAILS.
10. UP TO TWO UPS UNITS CAN RUN IN PARALLEL WITH A DISTANCE UP TO 12m BETWEEN EACH OTHER.

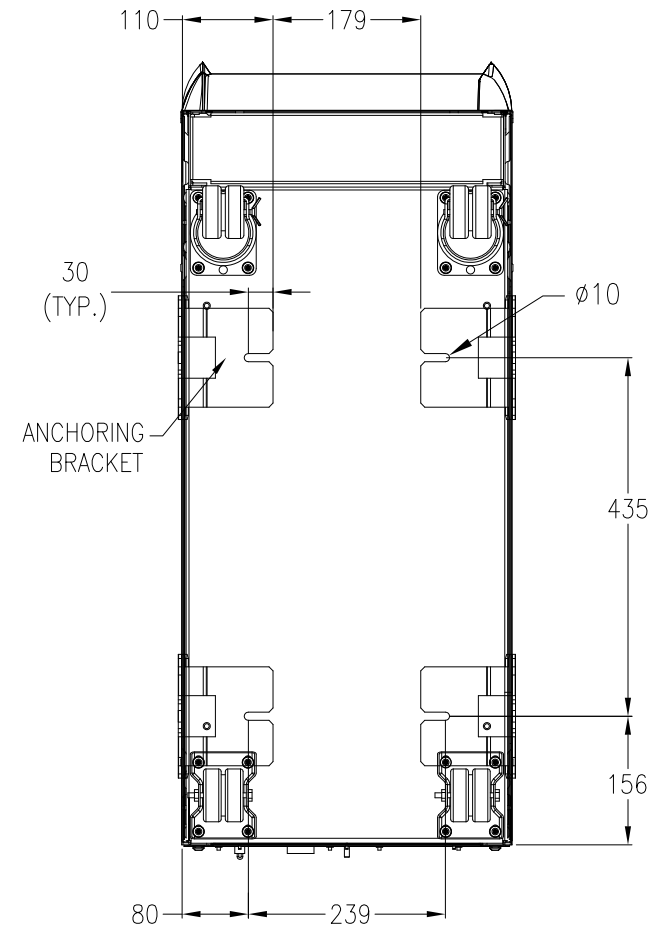
THIS DRAWING AND SPECIFICATIONS HEREIN ARE THE PROPERTY OF SCHNEIDER ELECTRIC AND SHALL NOT BE COPIED, REPRODUCED OR USED IN WHOLE OR IN PART, AS THE BASIS FOR THE MANUFACTURE OR SALE OF ITEMS WITHOUT WRITTEN PERMISSION FROM SCHNEIDER ELECTRIC. THIS DRAWING IS BASED UPON LATEST AVAILABLE INFORMATION AND IS SUBJECT TO CHANGE WITHOUT NOTICE.



TITLE:	MGE GALAXY 300 WITH LONG BACKUP CHARGER INPUT: 400V, 3PH OUTPUT: 10-20kVA, 400V, 3PH MAIN MECHANICAL	DWG NO:	G3HT10K20HL	REV:	2
PROJECT:	SUBMITTAL DRAWINGS	ENGINEER:	ALEX ZHANG	DATE:	17-JUL-15
SHEET:	1 OF 5	APPROVED:	C.LARSEN/S.WAGH	DATE:	17-JUL-15
					FIRST ANGLE PROJECTION



**BOTTOM VIEW**  
(ANCHORING UNLIMITED SPACE)



**ANCHORING**  
(FOR LIMITED SPACE AVAILABILITY)

**NOTES:**

1. INSTALLATION SHALL COMPLY WITH ALL APPLICABLE NATIONAL AND LOCAL ELECTRICAL REGULATIONS.
2. PLEASE REFER TO PRODUCT MANUALS FOR ADDITIONAL DETAILS.
3. ALL DIMENSIONS ARE IN MILLIMETERS UNLESS OTHERWISE SPECIFIED.
4. SOME STRUCTURAL DETAILS HAVE BEEN OMITTED FOR THE PURPOSE OF CLARITY.

THIS DRAWING AND SPECIFICATIONS HEREIN ARE THE PROPERTY OF SCHNEIDER ELECTRIC AND SHALL NOT BE COPIED, REPRODUCED OR USED IN WHOLE OR IN PART, AS THE BASIS FOR THE MANUFACTURE OR SALE OF ITEMS WITHOUT WRITTEN PERMISSION FROM SCHNEIDER ELECTRIC. THIS DRAWING IS BASED UPON LATEST AVAILABLE INFORMATION AND IS SUBJECT TO CHANGE WITHOUT NOTICE.



TITLE: MGE GALAXY 300 WITH LONG BACKUP CHARGER  
INPUT: 400V, 3PH  
OUTPUT: 10-20kVA, 400V, 3PH  
BOTTOM VIEW AND ANCHORING DETAILS

DWG NO: G3HT10K20HL

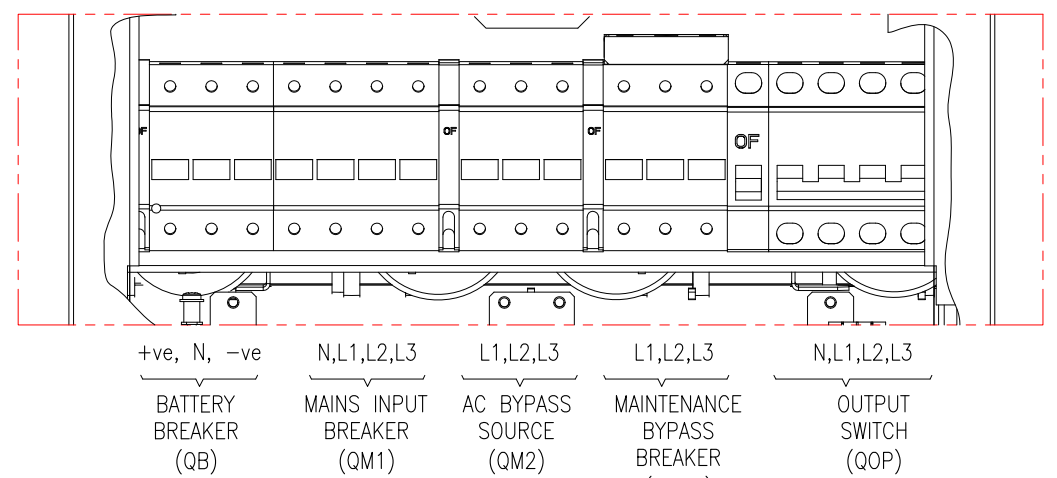
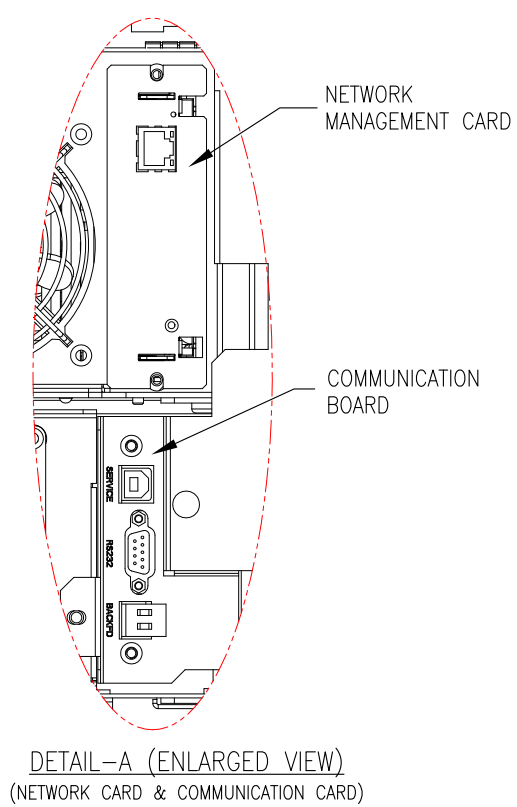
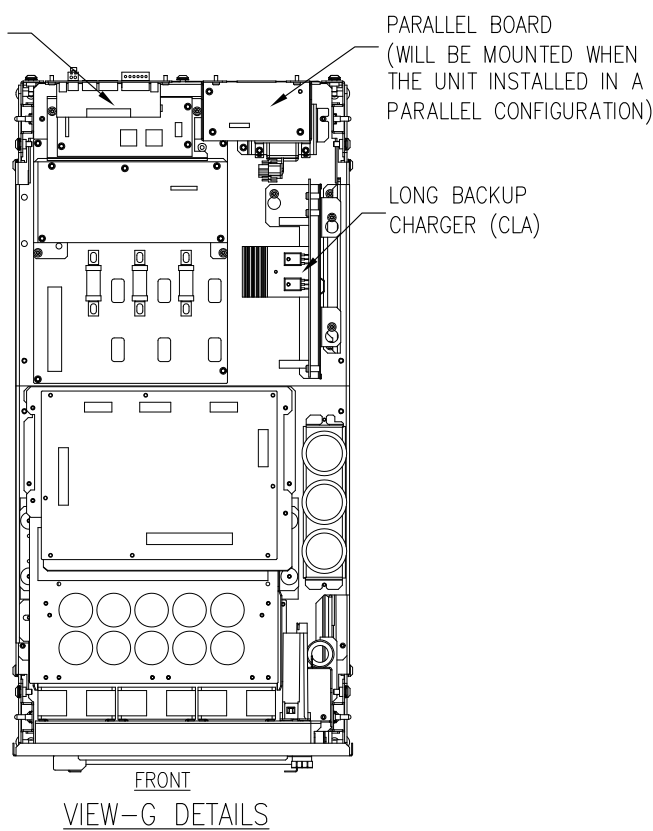
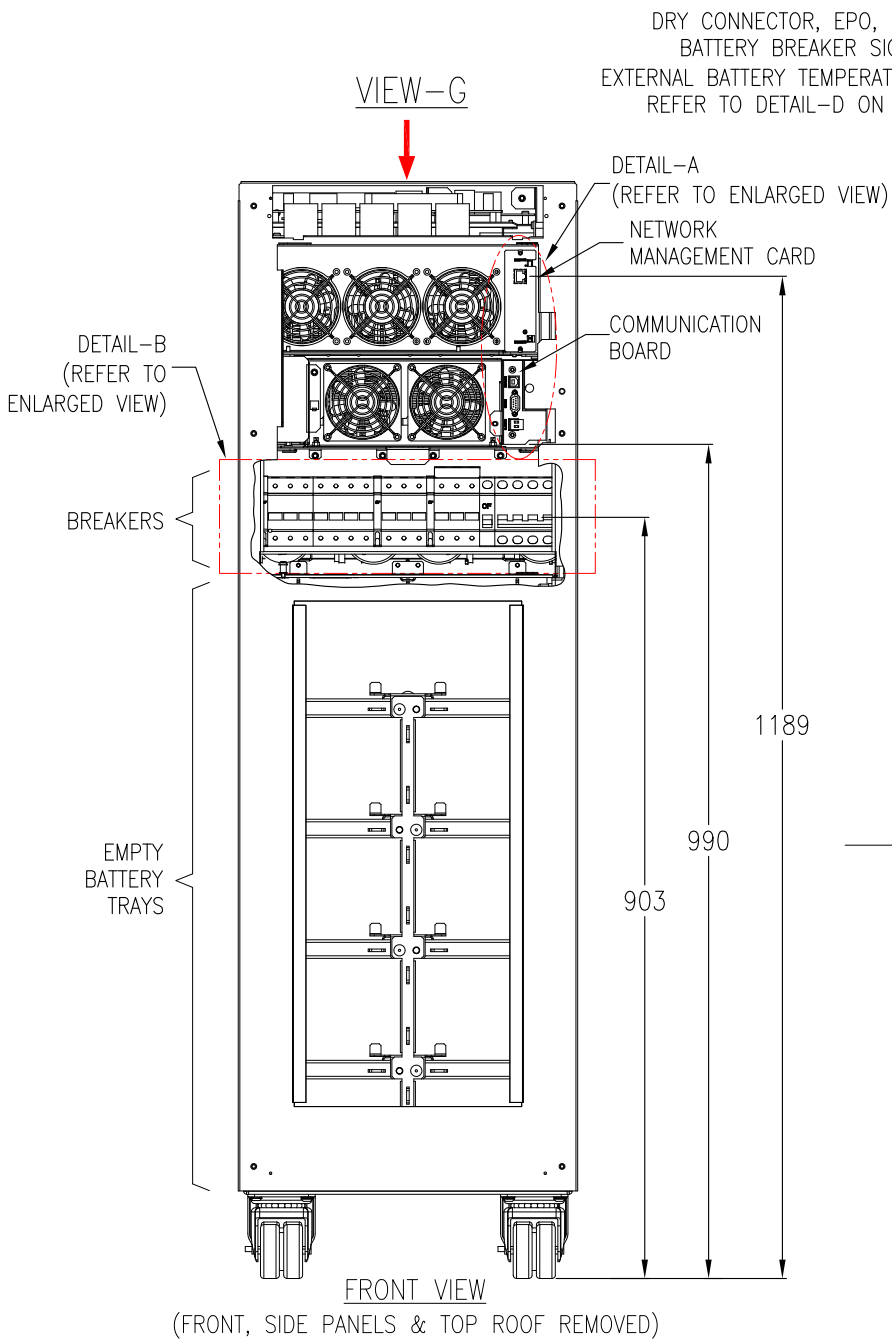
REV. 1

DRAWN: C KRISHNA 17-JUL-15  
ENGINEER: ALEX ZHANG 17-JUL-15

FIRST ANGLE PROJECTION

PROJECT: SUBMITTAL DRAWINGS SHEET 2 OF 5

APPROVED: C.LARSEN/S.WAGH 17-JUL-15



- NOTES:**
1. INSTALLATION SHALL COMPLY WITH ALL APPLICABLE NATIONAL AND LOCAL ELECTRICAL REGULATIONS..
  2. PLEASE REFER TO PRODUCT MANUALS FOR ADDITIONAL DETAILS.
  3. ALL DIMENSIONS ARE IN MILLIMETERS UNLESS OTHERWISE SPECIFIED.
  4. SOME STRUCTURAL DETAILS HAVE BEEN OMITTED FOR THE PURPOSE OF CLARITY.
  5. PLEASE CONTACT APC FOR CONNECTING EXTERNAL BATTERIES.

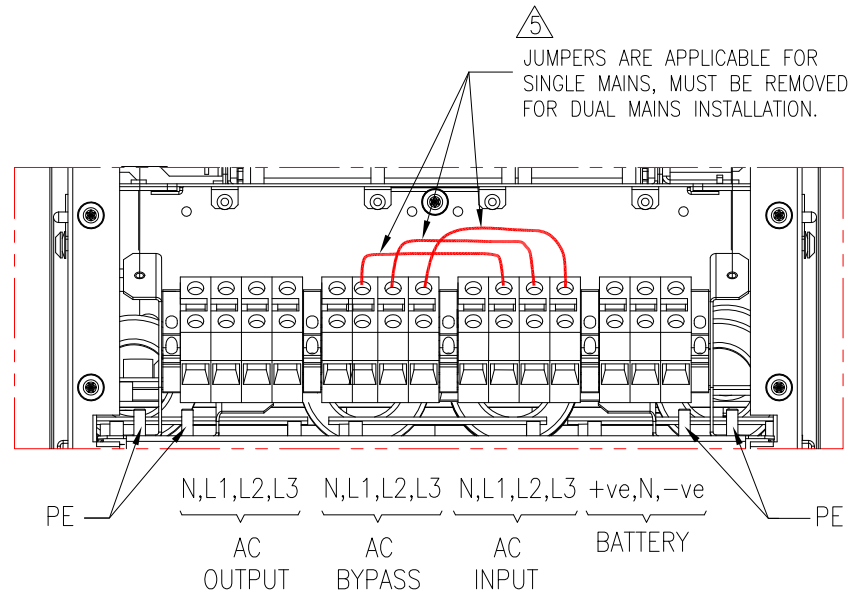
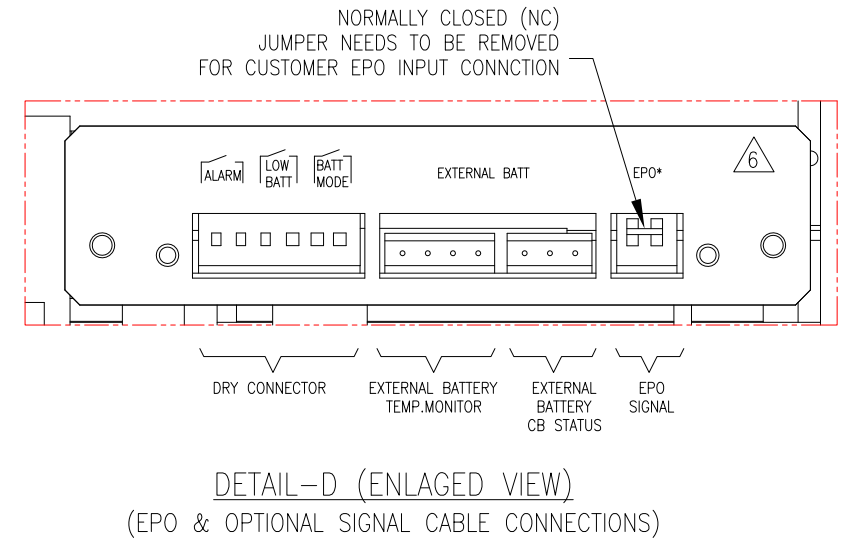
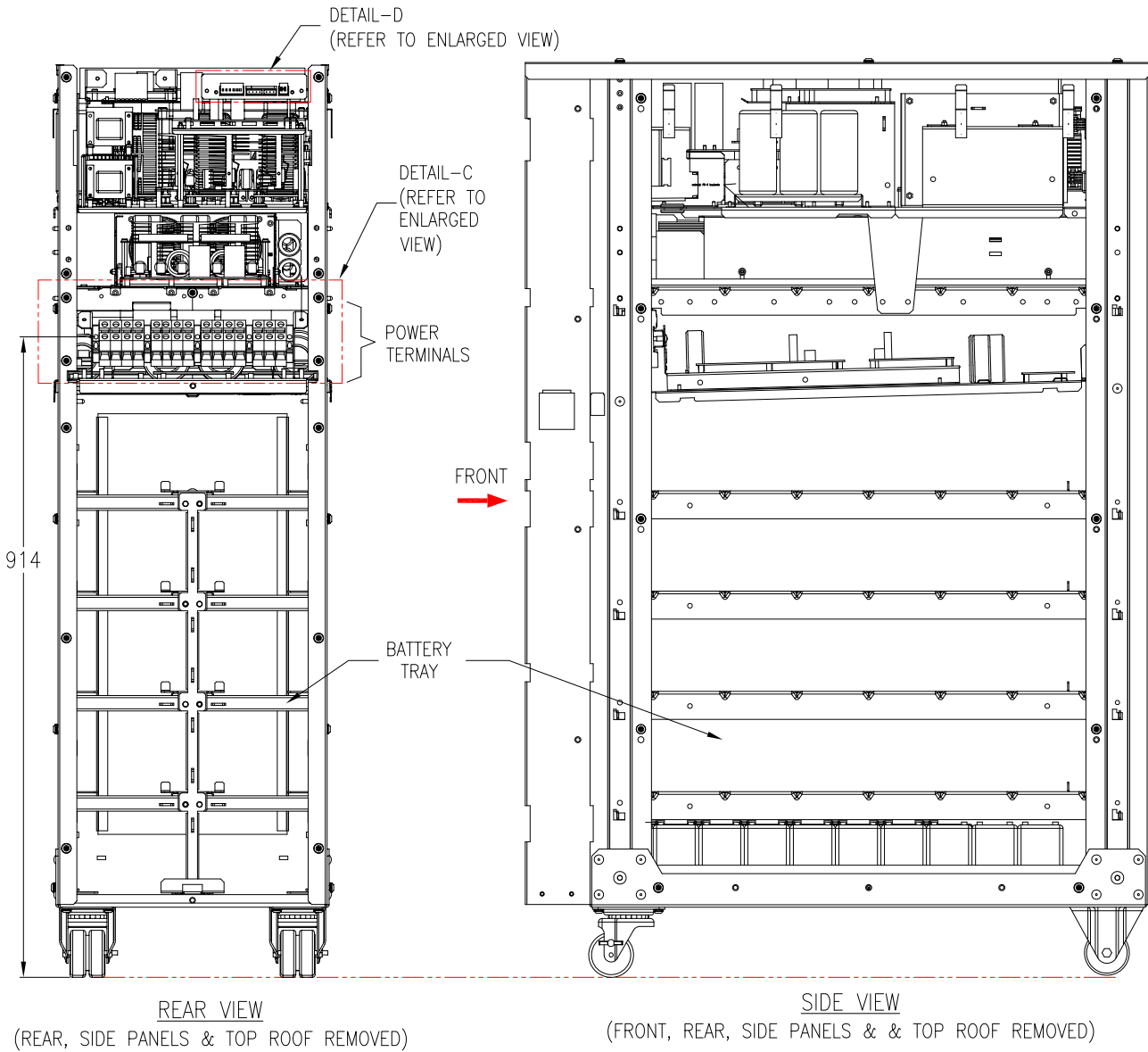
THIS DRAWING AND SPECIFICATIONS HEREIN ARE THE PROPERTY OF SCHNEIDER ELECTRIC AND SHALL NOT BE COPIED, REPRODUCED OR USED IN WHOLE OR IN PART, AS THE BASIS FOR THE MANUFACTURE OR SALE OF ITEMS WITHOUT WRITTEN PERMISSION FROM SCHNEIDER ELECTRIC. THIS DRAWING IS BASED UPON LATEST AVAILABLE INFORMATION AND IS SUBJECT TO CHANGE WITHOUT NOTICE.



TITLE: MGE GALAXY 300 WITH LONG BACKUP CHARGER  
 INPUT: 400V, 3PH  
 OUTPUT: 10-20kVA, 400V, 3PH  
 INTERNAL VIEW-1 AND DETAILS  
 PROJECT: SUBMITTAL DRAWINGS SHEET 3 OF 5

DWG NO: G3HT10K20HL  
 DRAWN: JP / KN 02-DEC-15  
 ENGINEER: ALEX ZHANG 02-DEC-15  
 APPROVED: S.ANDERSEN/S.WAGH 02-DEC-15

REV. 1  
 FIRST ANGLE PROJECTION



- NOTES:
1. INSTALLATION SHALL COMPLY WITH ALL APPLICABLE NATIONAL AND LOCAL ELECTRICAL REGULATIONS.
  2. PLEASE REFER TO PRODUCT MANUALS FOR ADDITIONAL DETAILS.
  3. ALL DIMENSIONS ARE IN MILLIMETERS UNLESS OTHERWISE SPECIFIED.
  4. SOME STRUCTURAL DETAILS HAVE BEEN OMITTED FOR THE PURPOSE OF CLARITY.
- Δ5. GALAXY300 UPS IS DESIGNED FOR SINGLE AND DUAL MAINS.  
SINGLE MAINS INSTALLATION IS A DEFAULT.
- Δ6. PLEASE REFER TO CORRESPONDING WIRING DIAGRAMS FOR INTERFACING DETAILS.
7. FOR RECOMMENDED BATTERY CONFIGURATION, PLEASE REFER TO DRAWING G3HTBAT.

THIS DRAWING AND SPECIFICATIONS HEREIN ARE THE PROPERTY OF SCHNEIDER ELECTRIC AND SHALL NOT BE COPIED, REPRODUCED OR USED IN WHOLE OR IN PART, AS THE BASIS FOR THE MANUFACTURE OR SALE OF ITEMS WITHOUT WRITTEN PERMISSION FROM SCHNEIDER ELECTRIC. THIS DRAWING IS BASED UPON LATEST AVAILABLE INFORMATION AND IS SUBJECT TO CHANGE WITHOUT NOTICE.

**Schneider Electric**

TITLE: MGE GALAXY 300 WITH LONG BACKUP CHARGER  
INPUT: 400V, 3PH  
OUTPUT: 10-20kVA, 400V, 3PH  
INTERNAL VIEW-2 AND DETAILS

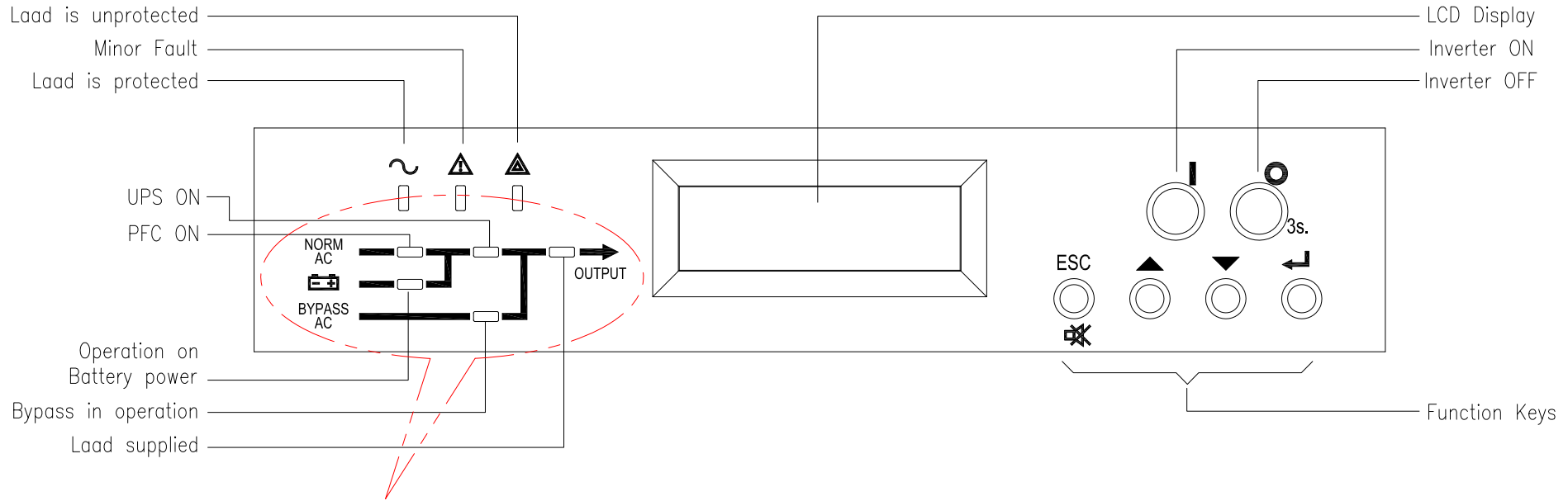
PROJECT: SUBMITTAL DRAWINGS SHEET 4 OF 5

DWG NO: G3HT10K20HL  
DRAWN: C KRISHNA  
ENGINEER: ALEX ZHANG

APPROVED: C.LARSEN/S.WAGH

REV. 2  
17-JUL-15  
17-JUL-15  
17-JUL-15  
FIRST ANGLE PROJECTION

# DISPLAY INTERFACE (ENLARGED VIEW)



LED Status of the flow diagram  
 GREEN—when the function is active  
 RED—when a fault has occurred in the function  
 OFF—when the function is inactive

**NOTES:**

- 1.WIRING SHALL COMPLY WITH ALL APPLICABLE NATIONAL AND LOCAL ELECTRICAL REGULATIONS.
- 2.PLEASE REFER TO PRODUCT MANUALS FOR ADDITIONAL DETAILS.

THIS DRAWING AND SPECIFICATIONS HEREIN ARE THE PROPERTY OF SCHNEIDER ELECTRIC AND SHALL NOT BE COPIED, REPRODUCED OR USED IN WHOLE OR IN PART, AS THE BASIS FOR THE MANUFACTURE OR SALE OF ITEMS WITHOUT WRITTEN PERMISSION FROM SCHNEIDER ELECTRIC. THIS DRAWING IS BASED UPON LATEST AVAILABLE INFORMATION AND IS SUBJECT TO CHANGE WITHOUT NOTICE.



TITLE:	MGE GALAXY 300 WITH LONG BACKUP CHARGER INPUT: 400V, 3PH OUTPUT: 10-20kVA, 400V, 3PH	DWG NO:	G3HT10K20HL	REV.	1
PROJECT:	SUBMITTAL DRAWINGS	SHEET	5 OF 5	APPROVED:	C.LARSEN/S.WAGH
ENGINEER:	ALEX ZHANG	DATE:	29-APR-11	PROJECT:	ANGLE
DRAWN:	C KRISHNA	DATE:	26-APR-11	PROJECTION:	FIRST