

RUNTIME AND WEIGHT DETAILS

SKU Number/ (Runtime in Minutes)	Type and Quantity of Batteries		Net Weight with YUASA Battery in kg	Net Weight with CSB Battery in kg
	YUASA	CSB		
	G3HT20K3IB1S (10 min)	NPW45-12 (64 numbers)	GP1272 (64 numbers)	360
G3HT20K3IB2S (25 min)	NPW45-12 (90 numbers)	GP1272 (64 numbers)	430	433
G3HT30K3IB1S (10 min)	NPW45-12 (90 numbers)	GP1272 (90 numbers)	443	429
G3HT30K3IB2S (25 min)	NPW45-12 (150)	GP1272 (90 numbers)	605	546

△ CENTER OF GRAVITY DETAILS

RATING	RUNTIME (minutes)	SKU No.	Center of Gravity (distance in mm)		
			X	Y	Z
20kVA	10	G3HT20K3IB1S	269	501	452
	25	G3HT20K3IB2S	257	441	395
30kVA	10	G3HT30K3IB1S	249	521	395
	25	G3HT30K3IB2S	249	561	395

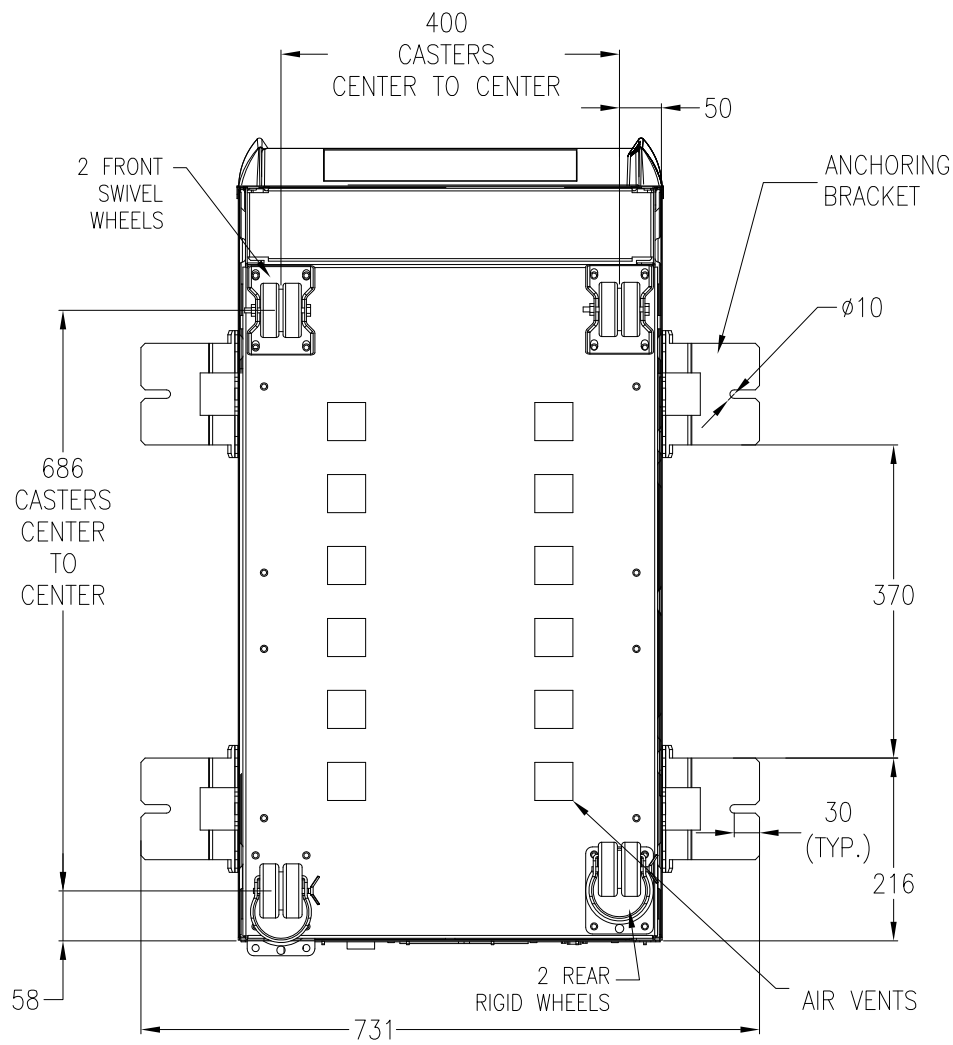
NOTES:

- INSTALLATION SHALL COMPLY WITH ALL APPLICABLE NATIONAL AND LOCAL ELECTRICAL REGULATIONS.
- PLEASE REFER TO PRODUCT MANUALS FOR ADDITIONAL DETAILS.
- ALL DIMENSIONS ARE IN MILLIMETERS UNLESS OTHERWISE SPECIFIED.
- CABLE ENTRY IS REAR OF UNIT.
- REAR CLEARANCE: FOR VENTILATION MINIMUM 500mm FOR SERVICE MINIMUM 700mm.
- WEIGHT OF UNIT WITHOUT BATTERY FOR 20kVA IS 185kg/ FOR 30kVA IS 198kg AND WITH BATTERY FOR 20kVA IS 433kg/ FOR 30kVA IS 605kg (MAX.).
- COLOR: PEARL GREY (RAL 9023).
- ANCHORING BRACKETS ARE PART OF SKU AND PROVIDED BY APC.
- REFER TO TABLE FOR CENTER OF GRAVITY DETAILS.
- UPS SHOWN WITH YUASA BATTERIES, CONTACT APC FOR OTHER BATTERY OPTIONS.
- UP TO TWO UPS UNITS CAN RUN IN PARALLEL WITH A DISTANCE UP TO 12m BETWEEN EACH OTHER.

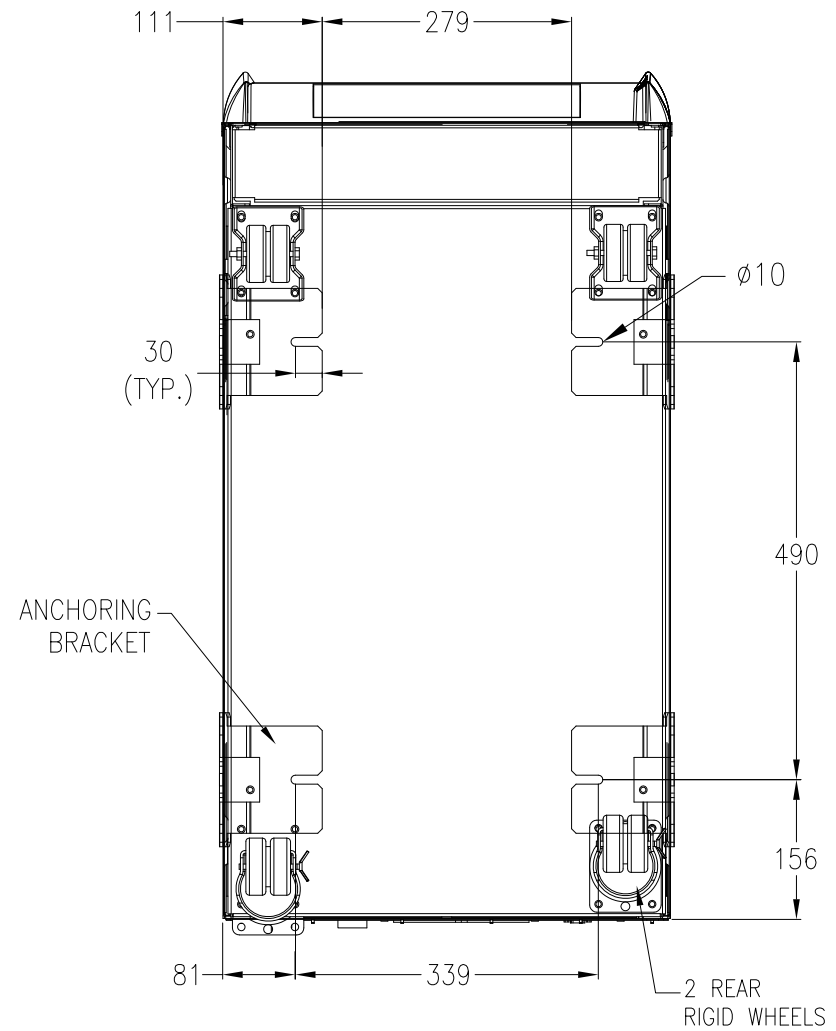
THIS DRAWING AND SPECIFICATIONS HEREIN ARE THE PROPERTY OF SCHNEIDER ELECTRIC AND SHALL NOT BE COPIED, REPRODUCED OR USED IN WHOLE OR IN PART, AS THE BASIS FOR THE MANUFACTURE OR SALE OF ITEMS WITHOUT WRITTEN PERMISSION FROM SCHNEIDER ELECTRIC. THIS DRAWING IS BASED UPON LATEST AVAILABLE INFORMATION AND IS SUBJECT TO CHANGE WITHOUT NOTICE.



TITLE:	MGE GALAXY 300 INPUT : 400V, 3PH OUTPUT: 20-30kVA, 400V, 1PH MAIN MECHANICAL	DWG NO:	G3HT20K3I30	REV:	2
PROJECT: SUBMITTAL DRAWINGS	SHEET 1 OF 5	DRAWN:	C KRISHNA	17-JUL-15	FIRST ANGLE PROJECTION
		ENGINEER:	ALEX ZHANG	17-JUL-15	
		APPROVED:	C.LARSEN/S.WAGH	17-JUL-15	



BOTTOM VIEW
(ANCHORING UNLIMITED SPACE)



ANCHORING
(FOR LIMITED SPACE AVAILABILITY)

NOTES:

1. INSTALLATION SHALL COMPLY WITH ALL APPLICABLE NATIONAL AND LOCAL ELECTRICAL REGULATIONS.
2. PLEASE REFER TO PRODUCT MANUALS FOR ADDITIONAL DETAILS.
3. ALL DIMENSIONS ARE IN MILLIMETERS UNLESS OTHERWISE SPECIFIED.
4. SOME STRUCTURAL DETAILS HAVE BEEN OMITTED FOR THE PURPOSE OF CLARITY.

THIS DRAWING AND SPECIFICATIONS HEREIN ARE THE PROPERTY OF SCHNEIDER ELECTRIC AND SHALL NOT BE COPIED, REPRODUCED OR USED IN WHOLE OR IN PART, AS THE BASIS FOR THE MANUFACTURE OR SALE OF ITEMS WITHOUT WRITTEN PERMISSION FROM SCHNEIDER ELECTRIC. THIS DRAWING IS BASED UPON LATEST AVAILABLE INFORMATION AND IS SUBJECT TO CHANGE WITHOUT NOTICE.



TITLE:

MGE GALAXY 300
INPUT : 400V, 3PH
OUTPUT: 20-30kVA, 400V, 1PH
BOTTOM VIEW AND ANCHORING

PROJECT: SUBMITTAL DRAWINGS SHEET 2 OF 5

DWG NO:

G3HT20K3130

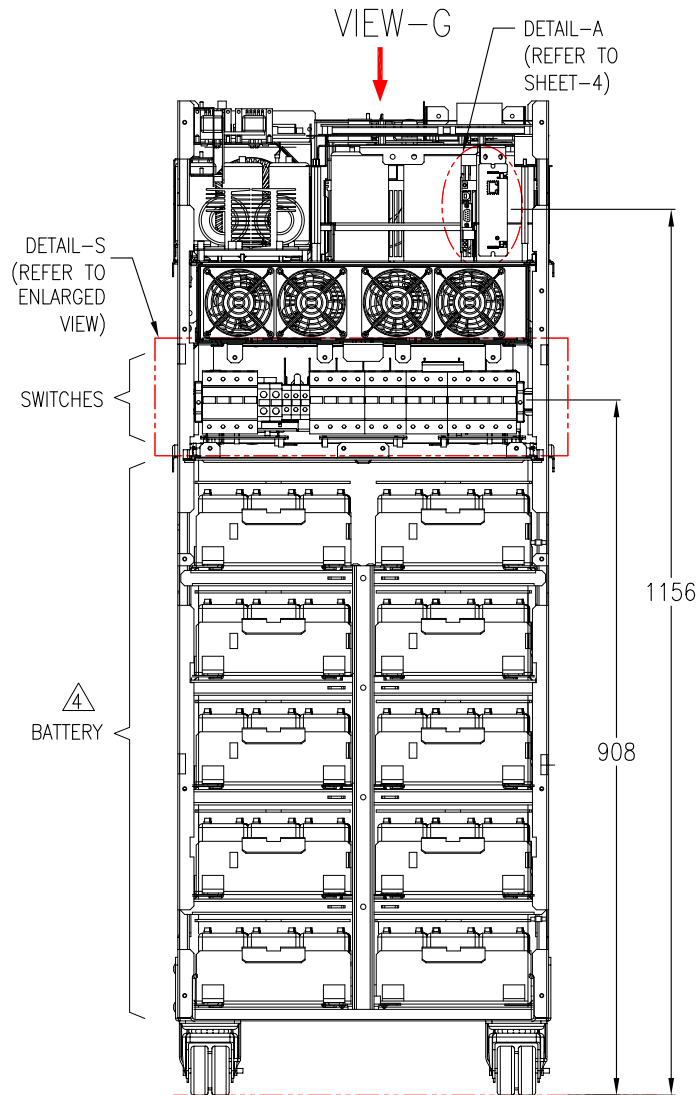
DRAWN: C KRISHNA 17-JUL-15
ENGINEER: ALEX ZHANG 17-JUL-15

APPROVED: C.LARSEN/S.WAGH 17-JUL-15

REV. 1

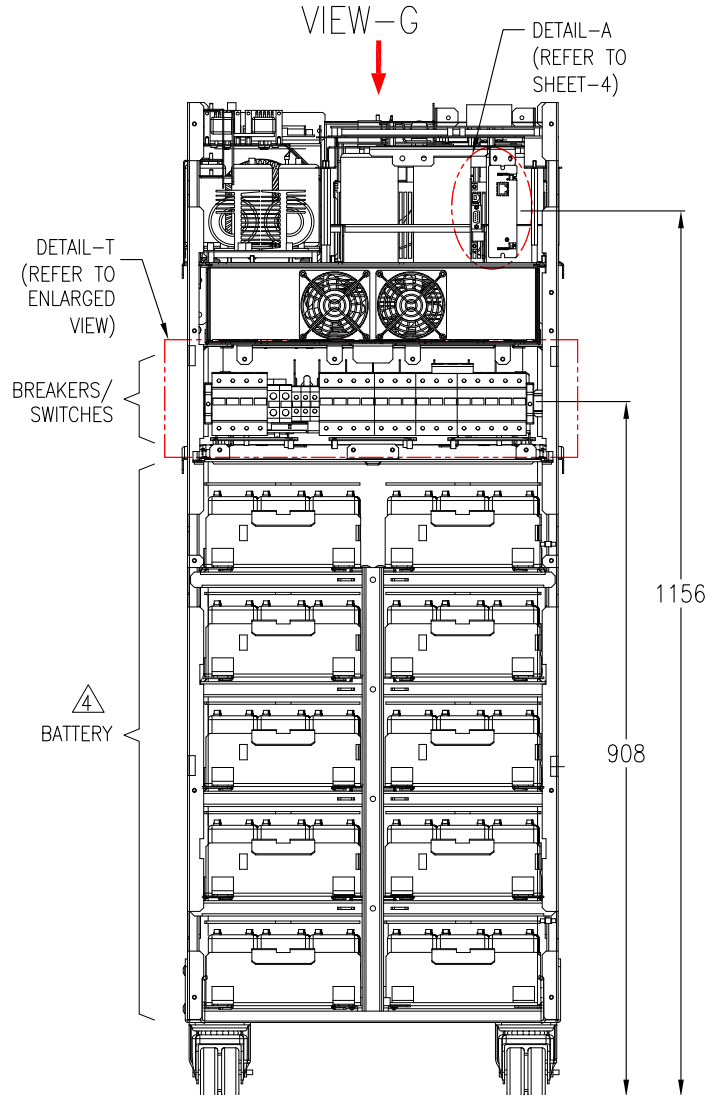
FIRST ANGLE PROJECTION

Internal details-30kVA

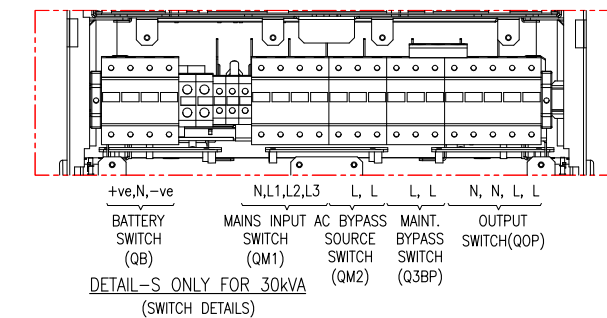
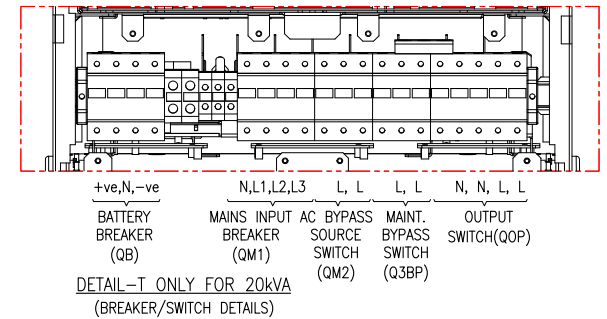
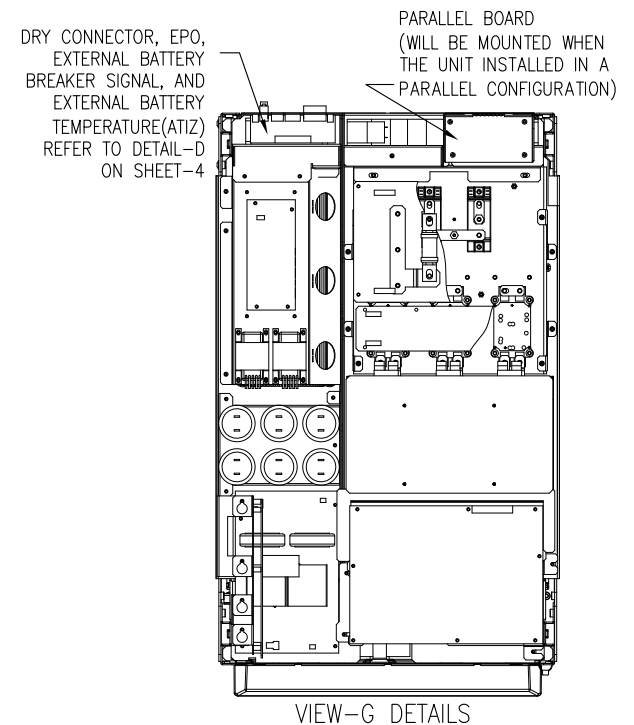


FRONT VIEW
(30kVA Enclosure)

Internal details-20kVA



FRONT VIEW
(20kVA Enclosure)

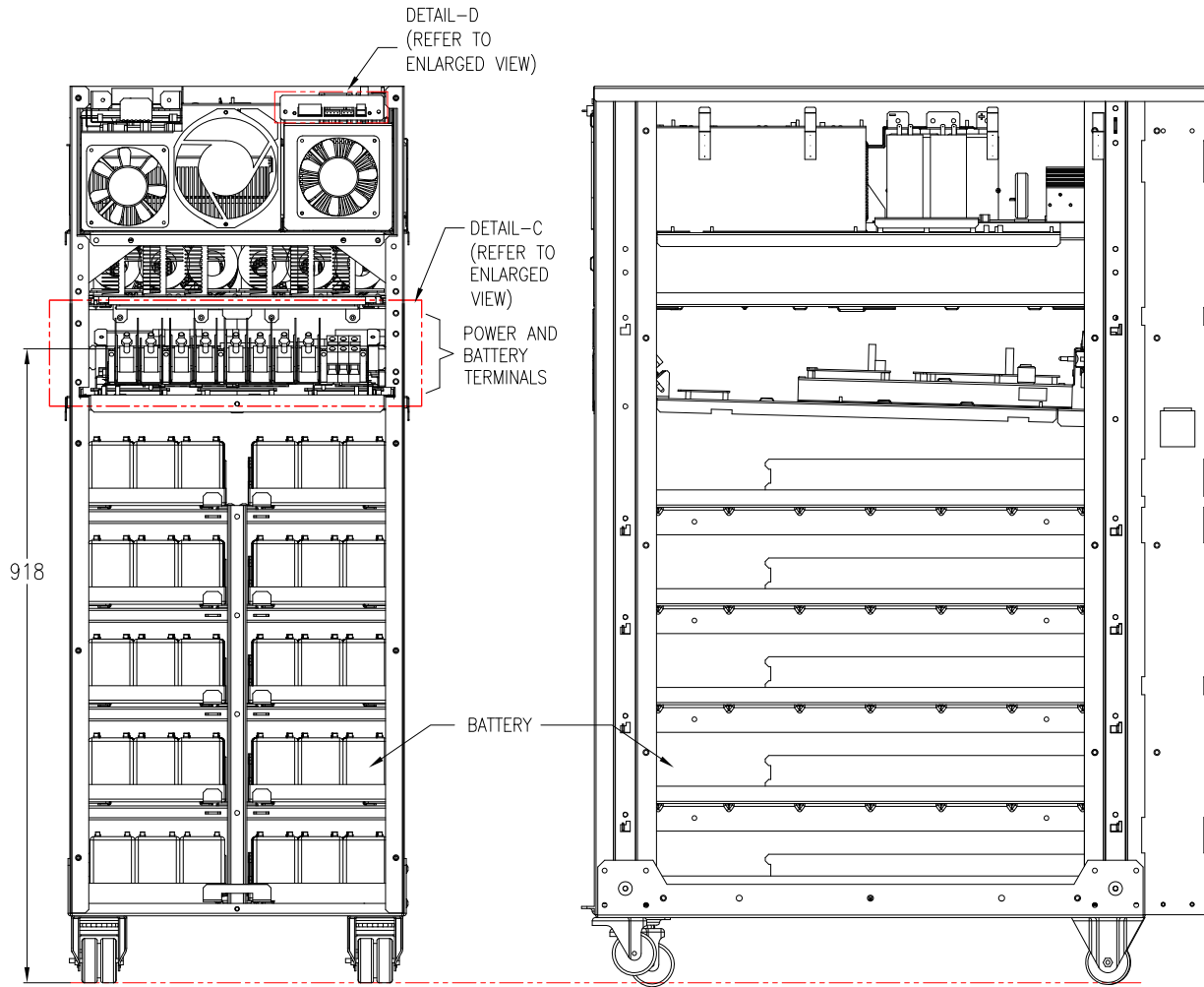


- NOTES:
- 1.INSTALLATION SHALL COMPLY WITH ALL APPLICABLE NATIONAL AND LOCAL CODES.
 - 2.PLEASE REFER TO PRODUCT MANUALS FOR ADDITIONAL DETAILS.
 - 3.ALL DIMENSIONS ARE IN MILLIMETERS UNLESS OTHERWISE SPECIFIED.
 - △4.BATTERY ARRANGEMENT SHOWN FOR SKU-G3HT30K3IB2S CONFIGURATION.
BATTERY TYPE - YUASA (NPW 45-12), QTY.-150 No's, RUNTIME-25min

THIS DRAWING AND SPECIFICATIONS HEREIN ARE THE PROPERTY OF SCHNEIDER ELECTRIC AND SHALL NOT BE COPIED, REPRODUCED OR USED IN WHOLE OR IN PART, AS THE BASIS FOR THE MANUFACTURE OR SALE OF ITEMS WITHOUT WRITTEN PERMISSION FROM SCHNEIDER ELECTRIC. THIS DRAWING IS BASED UPON LATEST AVAILABLE INFORMATION AND IS SUBJECT TO CHANGE WITHOUT NOTICE.

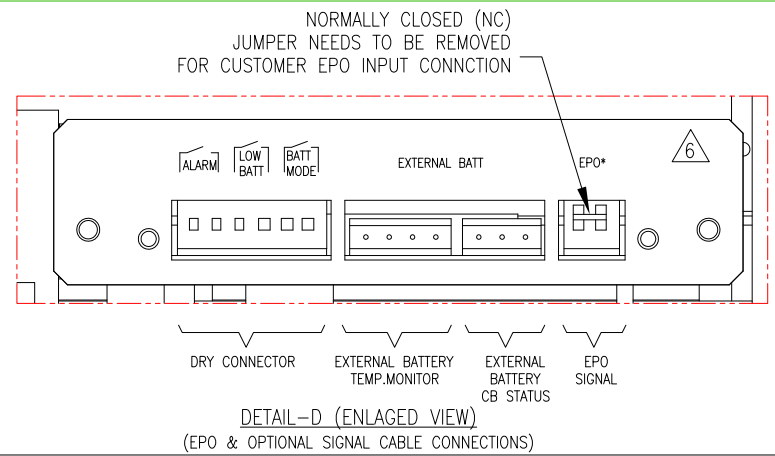


TITLE:	MGE GALAXY 300 INPUT : 400V, 3PH OUTPUT: 20-30kVA, 400V, 1PH INTERNAL DETAILS-1	DWG NO:	G3HT20K3130	REV:	1
PROJECT: SUBMITTAL DRAWINGS	SHEET 3 OF 5	DRAWN:	JAYAPRAKASH	24-NOV-15	FIRST ANGLE PROJECTION
		ENGINEER:	ALEX ZHANG	24-NOV-15	
		APPROVED:	C.LARSEN/S.WAGH	24-NOV-15	

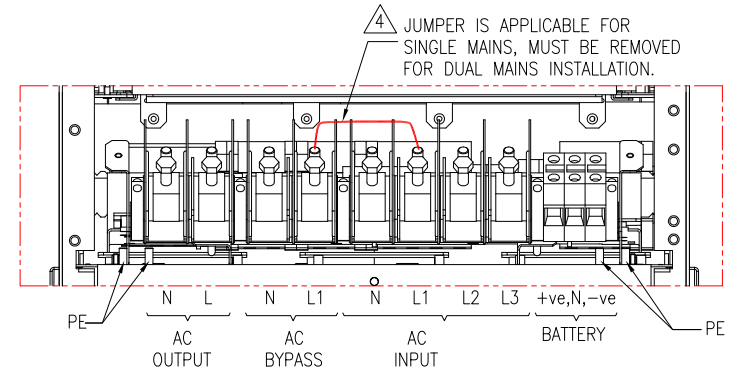


REAR VIEW

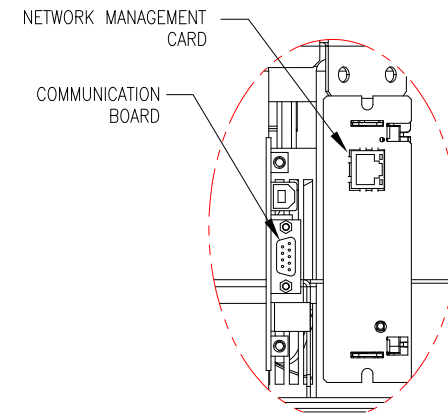
LEFT SIDE VIEW



DETAIL-D (ENLARGED VIEW)
(EPO & OPTIONAL SIGNAL CABLE CONNECTIONS)



DETAIL-C (ENLARGED VIEW)
(CABLE TERMINAL DETAILS)
REFER TO SHEET-5 FOR RECOMMENDED CABLE SIZES



DETAIL-A
(NETWORK CARD AND COMMUNICATION CARD)

NOTES:

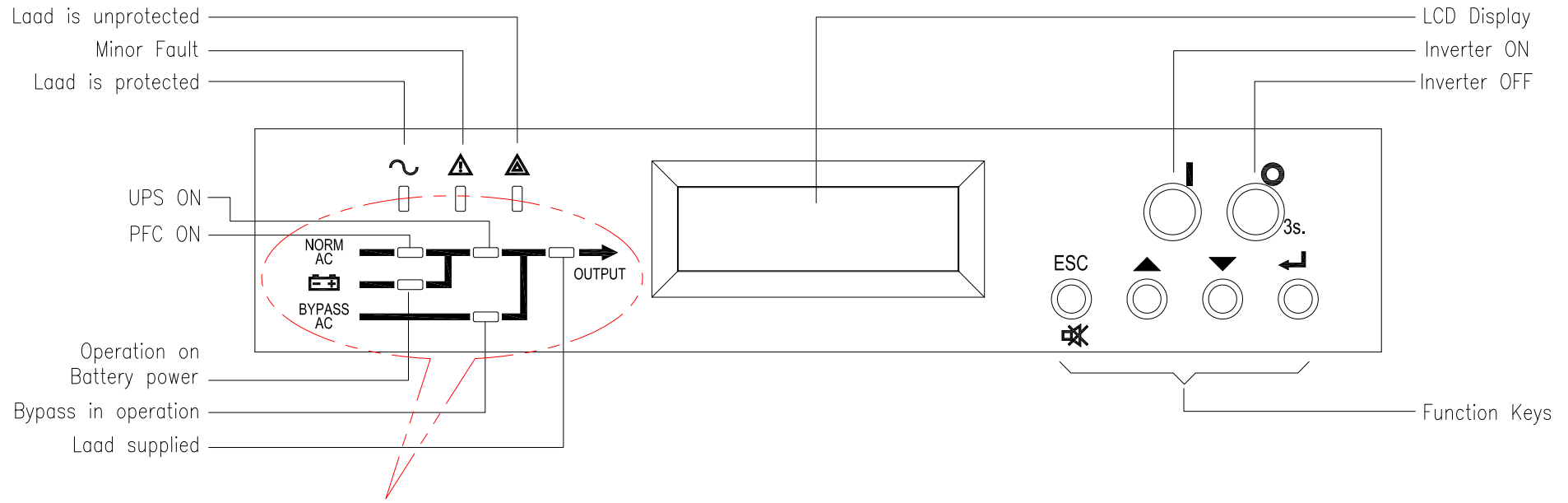
1. INSTALLATION SHALL COMPLY WITH ALL APPLICABLE NATIONAL AND LOCAL ELECTRICAL REGULATIONS.
2. PLEASE REFER TO PRODUCT MANUALS FOR ADDITIONAL DETAILS.
3. ALL DIMENSIONS ARE IN MILLIMETERS UNLESS OTHERWISE SPECIFIED.
- △ 4. G300 IS DESIGNED FOR SINGLE AND DUAL MAINS CONFIGURATION. SINGLE MAINS CONFIGURATION IS DEFAULT.
5. SOME STRUCTURAL DETAILS HAVE BEEN OMITTED FOR THE PURPOSE OF CLARITY.
- △ 6. PLEASE REFER TO CORRESPONDING WIRING DIAGRAMS FOR INTERFACING DETAILS.

THIS DRAWING AND SPECIFICATIONS HEREIN ARE THE PROPERTY OF SCHNEIDER ELECTRIC AND SHALL NOT BE COPIED, REPRODUCED OR USED IN WHOLE OR IN PART, AS THE BASIS FOR THE MANUFACTURE OR SALE OF ITEMS WITHOUT WRITTEN PERMISSION FROM SCHNEIDER ELECTRIC. THIS DRAWING IS BASED UPON LATEST AVAILABLE INFORMATION AND IS SUBJECT TO CHANGE WITHOUT NOTICE.



TITLE:	MGE GALAXY 300 INPUT : 400V, 3PH OUTPUT: 20-30kVA, 400V, 1PH INTERNAL DETAILS-2	DWG NO:	G3HT20K3130	REV:	2
PROJECT: SUBMITTAL DRAWINGS	SHEET 4 OF 5	APPROVED:	C.LARSEN/S.WAGH	ENGINEER:	ALEX ZHANG
					17-JUL-15
					17-JUL-15
					17-JUL-15
					FIRST ANGLE PROJECTION

DISPLAY INTERFACE (ENLARGED VIEW)



LED Status of the flow diagram
 GREEN—when the function is active
 RED—when a fault has occurred in the function
 OFF—when the function is inactive

NOTES:

1. WIRING SHALL COMPLY WITH ALL APPLICABLE NATIONAL AND LOCAL ELECTRICAL REGULATIONS.
2. PLEASE REFER TO PRODUCT MANUALS FOR ADDITIONAL DETAILS.

THIS DRAWING AND SPECIFICATIONS HEREIN ARE THE PROPERTY OF SCHNEIDER ELECTRIC AND SHALL NOT BE COPIED, REPRODUCED OR USED IN WHOLE OR IN PART, AS THE BASIS FOR THE MANUFACTURE OR SALE OF ITEMS WITHOUT WRITTEN PERMISSION FROM SCHNEIDER ELECTRIC. THIS DRAWING IS BASED UPON LATEST AVAILABLE INFORMATION AND IS SUBJECT TO CHANGE WITHOUT NOTICE.



TITLE:	MGE GALAXY 300 INPUT : 400V, 3PH OUTPUT: 20-30kVA, 400V, 1PH	DWG NO:	G3HT20K3130	REV.	1
PROJECT: SUBMITTAL DRAWINGS	SHEET 5 OF 5	DRAWN:	C KRISHNA	26-APR-11	FIRST ANGLE PROJECTION
		ENGINEER:	ALEX ZHANG	29-APR-11	
		APPROVED:	C.LARSEN/S.WAGH	29-APR-11	