

- NOTES:**
1. INSTALLATION SHALL COMPLY WITH ALL APPLICABLE NATIONAL, STATE AND LOCAL CODES.
 2. PLEASE REFER TO PRODUCT MANUALS FOR ADDITIONAL DETAILS.
 3. UNLESS OTHERWISE SPECIFIED, ALL DIMENSIONS ARE IN INCHES [MILLIMETERS].
 4. CABLE ENTRY IS FROM REAR SIDE OF THE UNIT THROUGH CONDUIT.
 5. MAXIMUM ALLOWABLE CABLE LENGTH BETWEEN SBP & UPS = 98 FEET [30mts].
 6. FRONT AND REAR SERVICE ACCESS IS REQUIRED.
 7. PLEASE REFER SHEET-4 FOR NET WEIGHT OF UNIT, CONFIGURATION AND RUNTIME DETAILS.
 8. OPTIONAL BAYING KIT DETAILS:
 G35TOPT005 - UPS TO XR
 G35TOPT006 - XR TO XR
 G35TOPT011 - UPS TO SBP
 9. SUGGESTED LAYOUT IS SHOWN. ALTERNATE LAYOUTS ARE POSSIBLE.

THIS DRAWING AND SPECIFICATIONS HEREIN ARE THE PROPERTY OF SCHNEIDER ELECTRIC AND SHALL NOT BE COPIED, REPRODUCED OR USED IN WHOLE OR IN PART, AS THE BASIS FOR THE MANUFACTURE OR SALE OF ITEMS WITHOUT WRITTEN PERMISSION FROM SCHNEIDER ELECTRIC. THIS DRAWING IS BASED UPON LATEST AVAILABLE INFORMATION AND IS SUBJECT TO CHANGE WITHOUT NOTICE.



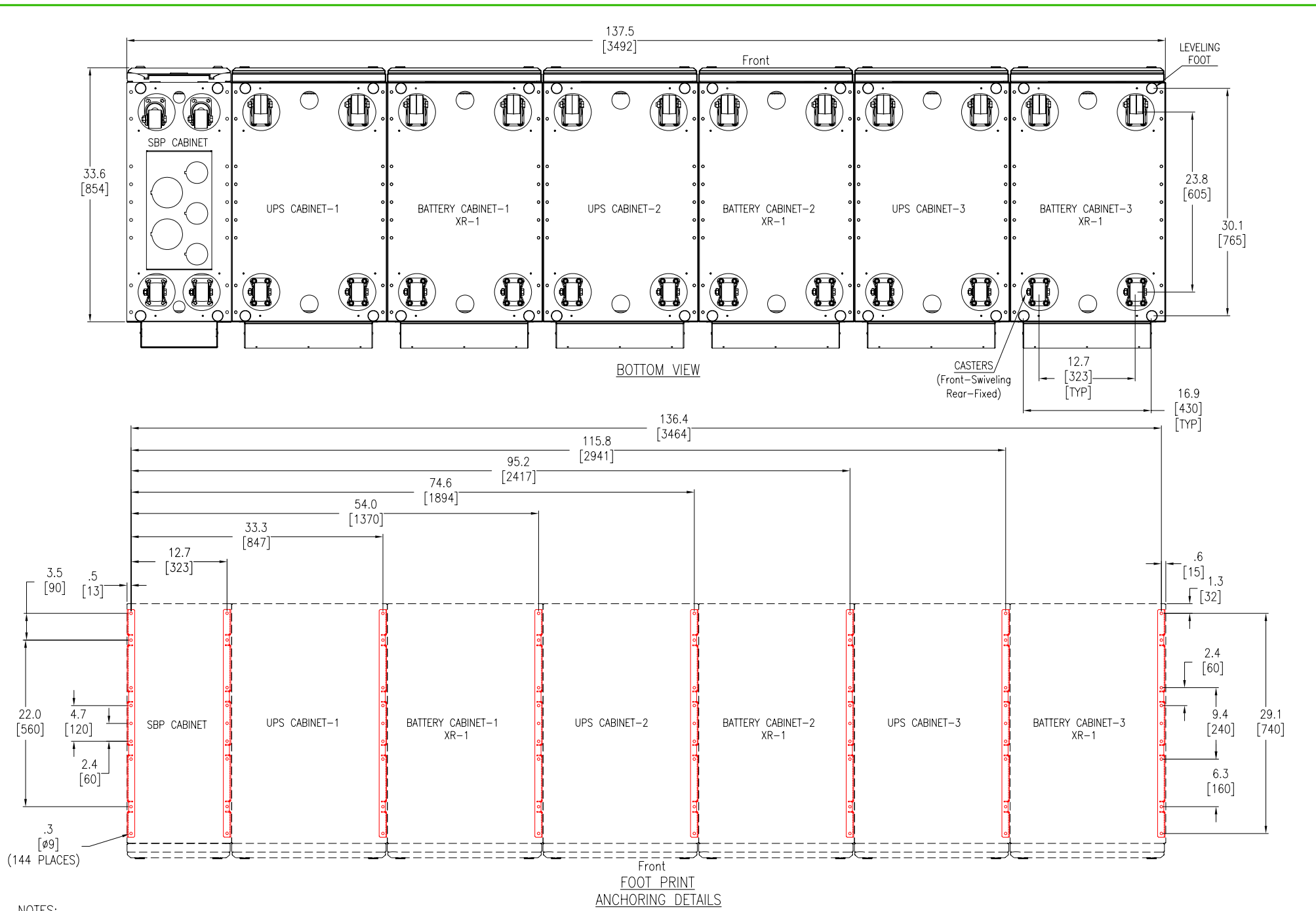
TITLE:
 MGE GALAXY 3500
 WIDE TOWER, 10-30KVA, 208V
 3 MODULES WITH 3 XR-BATTERY CABINETS
 GENERAL ARRANGEMENT

PROJECT: SUBMITTAL DRAWINGS | SHEET 1 OF 4

DWG NO: G35T10K30FW3B3SBPAR

DRAWN BY: JAYAPRAKASH 04-NOV-09
ENGINEER: F.CENDEJAS 16-NOV-09
APPROVED BY: B.SHERIDAN 16-NOV-09

REV: 0
THIRD ANGLE PROJECTION



- NOTES:**
1. INSTALLATION SHALL COMPLY WITH ALL APPLICABLE NATIONAL, STATE AND LOCAL CODES.
 2. PLEASE REFER TO PRODUCT MANUALS FOR ADDITIONAL DETAILS.
 3. UNLESS OTHERWISE SPECIFIED, ALL DIMENSIONS ARE IN INCHES [MILLIMETERS].

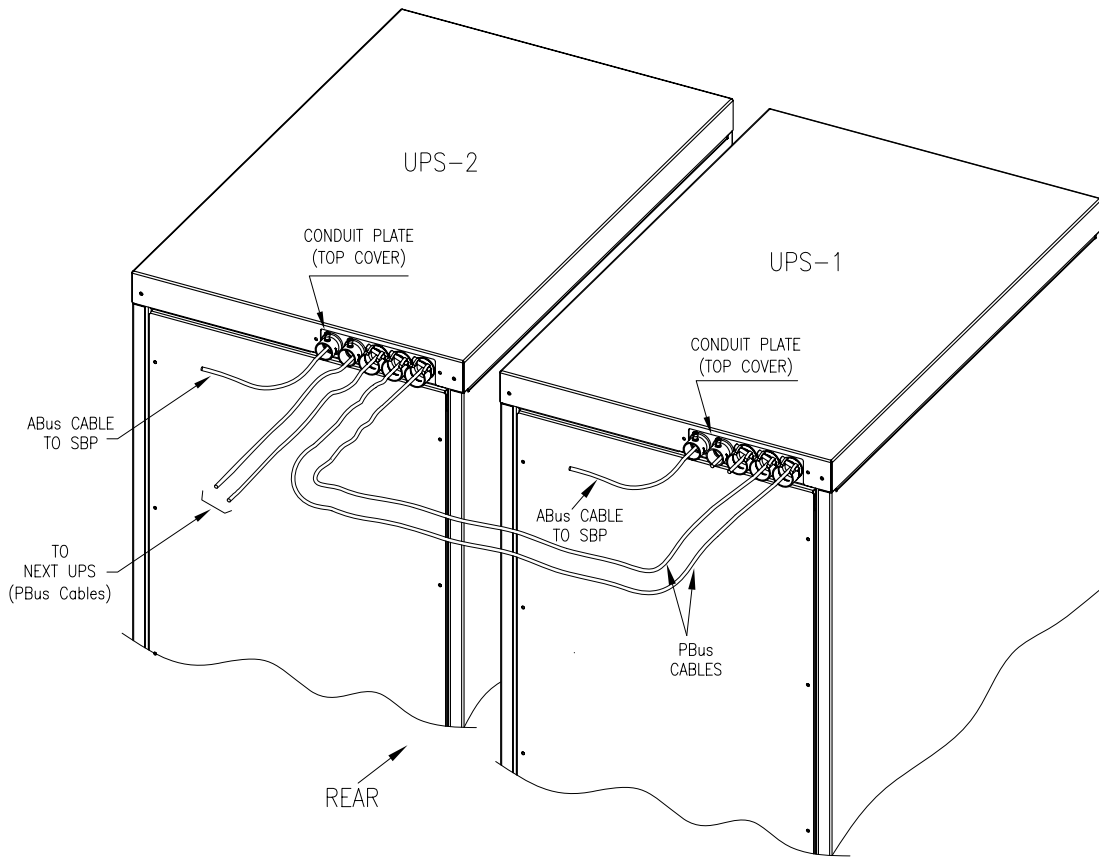
THIS DRAWING AND SPECIFICATIONS HEREIN ARE THE PROPERTY OF SCHNEIDER ELECTRIC AND SHALL NOT BE COPIED, REPRODUCED OR USED IN WHOLE OR IN PART, AS THE BASIS FOR THE MANUFACTURE OR SALE OF ITEMS WITHOUT WRITTEN PERMISSION FROM SCHNEIDER ELECTRIC. THIS DRAWING IS BASED UPON LATEST AVAILABLE INFORMATION AND IS SUBJECT TO CHANGE WITHOUT NOTICE.



TITLE:
MGE GALAXY 3500
WIDE TOWER, 10-30KVA, 208V
3 MODULES WITH 3 XR-BATTERY CABINETS
BOTTOM VIEW & ANCHORING DETAILS

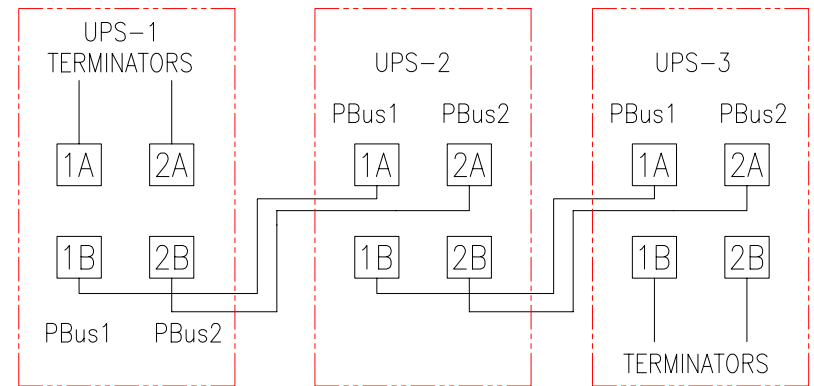
DWG NO: C35T10K30FW3B3SBPAR
DRAWN BY: JAYAPRAKASH 04-NOV-09
ENGINEER: F.CENDEJAS 16-NOV-09
APPROVED BY: B.SHERIDAN 16-NOV-09

REV: 0
THIRD ANGLE PROJECTION



PARALLEL CONFIGURATION WIRING DETAILS
(ISOMETRIC VIEW)

PBus CABLE LAYOUT



NOTES:

1. INSTALLATION SHALL COMPLY WITH ALL APPLICABLE NATIONAL, STATE AND LOCAL CODES.
2. PLEASE REFER TO PRODUCT MANUALS FOR ADDITIONAL DETAILS.

THIS DRAWING AND SPECIFICATIONS HEREIN ARE THE PROPERTY OF SCHNEIDER ELECTRIC AND SHALL NOT BE COPIED, REPRODUCED OR USED IN WHOLE OR IN PART, AS THE BASIS FOR THE MANUFACTURE OR SALE OF ITEMS WITHOUT WRITTEN PERMISSION FROM SCHNEIDER ELECTRIC. THIS DRAWING IS BASED UPON LATEST AVAILABLE INFORMATION AND IS SUBJECT TO CHANGE WITHOUT NOTICE.



TITLE:	MGE GALAXY 3500 WIDE TOWER, 10-30KVA, 208V 3 MODULES WITH 3 XR-BATTERY CABINETS WIRING DETAILS	DWG NO:	C35T10K30FW3B3SBPAR	REV:	0
PROJECT: SUBMITTAL DRAWINGS	SHEET 3 OF 4	DRAWN BY:	JAYAPRAKASH	04-NOV-09	THIRD ANGLE
		ENGINEER:	F.CENDEJAS	16-NOV-09	PROJECTION
		APPROVED BY:	B.SHERIDAN	16-NOV-09	

Weight and Runtime details for 3 module UPS (10-30kVA) with XR Battery Cabinets & SBP

Battery position	No. of bat shelves	G35T10KF1B4S				G35T10KF2B4S				G35T10KF3B4S				G35T10KF4B4S				G35T15KF2B4S				G35T15KF3B4S				G35T15KF4B4S				G35T20KF2B4S				G35T20KF3B4S				G35T20KF4B4S				G35T30KF3B4S				G35T30KF4B4S			
		Net Weight of Solution	Runtime in Min	Net Weight of Solution	Runtime in Min	Net Weight of Solution	Runtime in Min	Net Weight of Solution	Runtime in Min	Net Weight of Solution	Runtime in Min	Net Weight of Solution	Runtime in Min	Net Weight of Solution	Runtime in Min	Net Weight of Solution	Runtime in Min	Net Weight of Solution	Runtime in Min	Net Weight of Solution	Runtime in Min	Net Weight of Solution	Runtime in Min	Net Weight of Solution	Runtime in Min	Net Weight of Solution	Runtime in Min	Net Weight of Solution	Runtime in Min	Net Weight of Solution	Runtime in Min	Net Weight of Solution	Runtime in Min	Net Weight of Solution	Runtime in Min														
		in lbs	in kg		in lbs	in kg		in lbs	in kg		in lbs	in kg		in lbs	in kg		in lbs	in kg		in lbs	in kg		in lbs	in kg		in lbs	in kg		in lbs	in kg		in lbs	in kg		in lbs	in kg													
UPS	1	2452	1113	6	n.a	n.a		n.a	n.a	n.a	n.a	n.a	n.a	n.a	n.a	n.a	n.a	n.a	n.a	n.a	n.a	n.a	n.a	n.a	n.a	n.a	n.a	n.a	n.a	n.a	n.a	n.a	n.a	n.a	n.a	n.a	n.a												
UPS	2	3059	1389	18	3059	1389	18																																										
UPS	3	3667	1665	32	3667	1665	32	3667	1665	32	n.a	n.a	n.a	3667	1665	18	3667	1665	18	n.a	n.a	n.a	3925	1782	12	3925	1782	12	n.a	n.a	n.a	3925	1782	6	n.a	n.a	n.a												
UPS	4	4275	1941	47	4275	1941	47	4275	1941	47	4275	1941	47	4275	1941	27	4275	1941	27	4275	1941	27	4533	2058	18	4533	2058	18	4533	2058	18	4533	2058	10	4533	2058	10												
XR1	5	6205	2817	62	6205	2817	62	6205	2817	62	6205	2817	62	6205	2817	37	6205	2817	37	6205	2817	37	6463	2934	25	6463	2934	25	6463	2934	25	6463	2934	14	6463	2934	14												
XR1	6	6839	3105	78	6839	3105	78	6839	3105	78	6839	3105	78	6839	3105	47	6839	3105	47	6839	3105	47	7097	3222	32	7097	3222	32	7097	3222	32	7097	3222	18	7097	3222	18												
XR1	7	7474	3393	95	7474	3393	95	7474	3393	95	7474	3393	95	7474	3393	57	7474	3393	57	7474	3393	57	7731	3510	40	7731	3510	40	7731	3510	23	7731	3510	23	7731	3510	23												
XR1	8	8108	3681	112	8108	3681	112	8108	3681	112	8108	3681	112	8108	3681	68	8108	3681	68	8108	3681	68	8366	3798	47	8366	3798	47	8366	3798	28	8366	3798	28	8366	3798	28												
XR1	9	8742	3969	130	8742	3969	130	8742	3969	130	8742	3969	130	8742	3969	79	8742	3969	79	8742	3969	79	9000	4086	55	9000	4086	55	9000	4086	32	9000	4086	32	9000	4086	32												
XR1	10	9377	4257	148	9377	4257	148	9377	4257	148	9377	4257	148	9377	4257	90	9377	4257	90	9377	4257	90	9634	4374	63	9634	4374	63	9634	4374	63	9634	4374	37	9634	4374	37												
XR2	11	11306	5133	166	11306	5133	166	11306	5133	166	11306	5133	166	11306	5133	101	11306	5133	101	11306	5133	101	11564	5250	71	11564	5250	71	11564	5250	42	11564	5250	42	11564	5250	42												
XR2	12	11941	5421	185	11941	5421	185	11941	5421	185	11941	5421	185	11941	5421	113	11941	5421	113	11941	5421	113	12198	5538	79	12198	5538	79	12198	5538	47	12198	5538	47	12198	5538	47												
XR2	13	12575	5709	204	12575	5709	204	12575	5709	204	12575	5709	204	12575	5709	124	12575	5709	124	12575	5709	124	12833	5826	87	12833	5826	87	12833	5826	52	12833	5826	52	12833	5826	52												
XR2	14	13209	5997	223	13209	5997	223	13209	5997	223	13209	5997	223	13209	5997	136	13209	5997	136	13209	5997	136	13467	6114	96	13467	6114	96	13467	6114	58	13467	6114	58	13467	6114	58												
XR2	15	13844	6285	243	13844	6285	243	13844	6285	243	13844	6285	243	13844	6285	148	13844	6285	148	13844	6285	148	14101	6402	105	14101	6402	105	14101	6402	63	14101	6402	63	14101	6402	63												
XR2	16	14478	6573	262	14478	6573	262	14478	6573	262	14478	6573	262	14478	6573	161	14478	6573	161	14478	6573	161	14736	6690	113	14736	6690	113	14736	6690	68	14736	6690	68	14736	6690	68												
XR3	17	16407	7449	282	16407	7449	282	16407	7449	282	16407	7449	282	16407	7449	173	16407	7449	173	16407	7449	173	16665	7566	122	16665	7566	122	16665	7566	74	16665	7566	74	16665	7566	74												
XR3	18	17042	7737	303	17042	7737	303	17042	7737	303	17042	7737	303	17042	7737	185	17042	7737	185	17042	7737	185	17300	7854	131	17300	7854	131	17300	7854	85	17300	7854	85	17300	7854	85												
XR3	19	17676	8025	323	17676	8025	323	17676	8025	323	17676	8025	323	17676	8025	198	17676	8025	198	17676	8025	198	17934	8142	140	17934	8142	140	17934	8142	85	17934	8142	85	17934	8142	85												
XR3	20	18311	8313	344	18311	8313	344	18311	8313	344	18311	8313	344	18311	8313	211	18311	8313	211	18311	8313	211	18568	8430	149	18568	8430	149	18568	8430	90	18568	8430	90	18568	8430	90												
XR3	21	18945	8601	365	18945	8601	365	18945	8601	365	18945	8601	365	18945	8601	224	18945	8601	224	18945	8601	224	19203	8718	158	19203	8718	158	19203	8718	96	19203	8718	96	19203	8718	96												
XR3	22	19579	8889	386	19579	8889	386	19579	8889	386	19579	8889	386	19579	8889	237	19579	8889	237	19579	8889	237	19837	9006	168	19837	9006	168	19837	9006	102	19837	9006	102	19837	9006	102												
XR4	23	21509	9765	408	21509	9765	408	21509	9765	408	21509	9765	408	21509	9765	250	21509	9765	250	21509	9765	250	21767	9882	177	21767	9882	177	21767	9882	107	21767	9882	107	21767	9882	107												
XR4	24	22143	10053	429	22143	10053	429	22143	10053	429	22143	10053	429	22143	10053	263	22143	10053	263	22143	10053	263	22401	10170	187	22401	10170	187	22401	10170	113	22401	10170	113	22401	10170	113												
XR4	25	22778	10341	451	22778	10341	451	22778	10341	451	22778	10341	451	22778	10341	277	22778	10341	277	22778	10341	277	23035	10458	196	23035	10458	196	23035	10458	119	23035	10458	119	23035	10458	119												
XR4	26	23412	10629	473	23412	10629	473	23412	10629	473	23412	10629	473	23412	10629	290	23412	10629	290	23412	10629	290	23670	10746	206	23670	10746	206	23670	10746	125	23670	10746	125	23670	10746	125												
XR4	27	24046	10917	495	24046	10917	495	24046	10917	495	24046	10917	495	24046	10917	304	24046	10917	304	24046	10917	304	24304	11034	215	24304	11034	215	24304	11034	131	24304	11034	131	24304	11034	131												
XR4	28	24681	11205	517	24681	11205	517	24681	11205	517	24681	11205	517	24681	11205	318	24681	11205	318	24681	11205	318	24938	11322	225	24938	11322	225	24938	11322	137	24938	11322	137	24938	11322	137												

△

NOTES:

1. INSTALLATION SHALL COMPLY WITH ALL APPLICABLE NATIONAL, STATE AND LOCAL CODES.
2. PLEASE REFER TO PRODUCT MANUALS FOR ADDITIONAL DETAILS.
- △3. CONFIGURATION REPRESENTED IN THIS DRAWING.

THIS DRAWING AND SPECIFICATIONS HEREIN ARE THE PROPERTY OF SCHNEIDER ELECTRIC AND SHALL NOT BE COPIED, REPRODUCED OR USED IN WHOLE OR IN PART, AS THE BASIS FOR THE MANUFACTURE OR SALE OF ITEMS WITHOUT WRITTEN PERMISSION FROM SCHNEIDER ELECTRIC. THIS DRAWING IS BASED UPON LATEST AVAILABLE INFORMATION AND IS SUBJECT TO CHANGE WITHOUT NOTICE.



TITLE:
MGE GALAXY 3500
WIDE TOWER, 10-30kVA, 208V
3 MODULES WITH 3 XR-BATTERY CABINETS
WEIGHT & RUNTIME DETAILS
PROJECT: SUBMITTAL DRAWINGS SHEET 4 OF 4

DWG NO: G35T10K30FW3B3SBPAR
DRAWN BY: JAYAPRAKASH 04-NOV-09
ENGINEER: F.CENDEJAS 16-NOV-09
APPROVED BY: B.SHERIDAN 16-NOV-09

REV: 0
THIRD ANGLE PROJECTION