

NOTES:

1. INSTALLATION SHALL COMPLY WITH ALL APPLICABLE NATIONAL, STATE AND LOCAL CODES.
2. PLEASE REFER TO PRODUCT MANUALS FOR ADDITIONAL DETAILS.
3. UNLESS OTHERWISE SPECIFIED, ALL DIMENSIONS ARE IN INCHES [MILLIMETERS].
4. CABLE ENTRY IS FROM REAR SIDE OF THE UNIT THROUGH CONDUIT.
5. MAXIMUM ALLOWABLE CABLE LENGTH BETWEEN SBP & UPS = 98 FEET [30mts].
6. FRONT AND REAR SERVICE ACCESS IS REQUIRED.
7. PLEASE REFER SHEET-4 FOR NET WEIGHT OF UNIT, CONFIGURATION AND RUNTIME DETAILS.
8. OPTIONAL BAYING KIT DETAILS:
 G35TOPT005 - UPS TO XR
 G35TOPT006 - XR TO XR
 G35TOPT011 - UPS TO SBP
9. SUGGESTED LAYOUT IS SHOWN. ALTERNATE LAYOUTS ARE POSSIBLE.

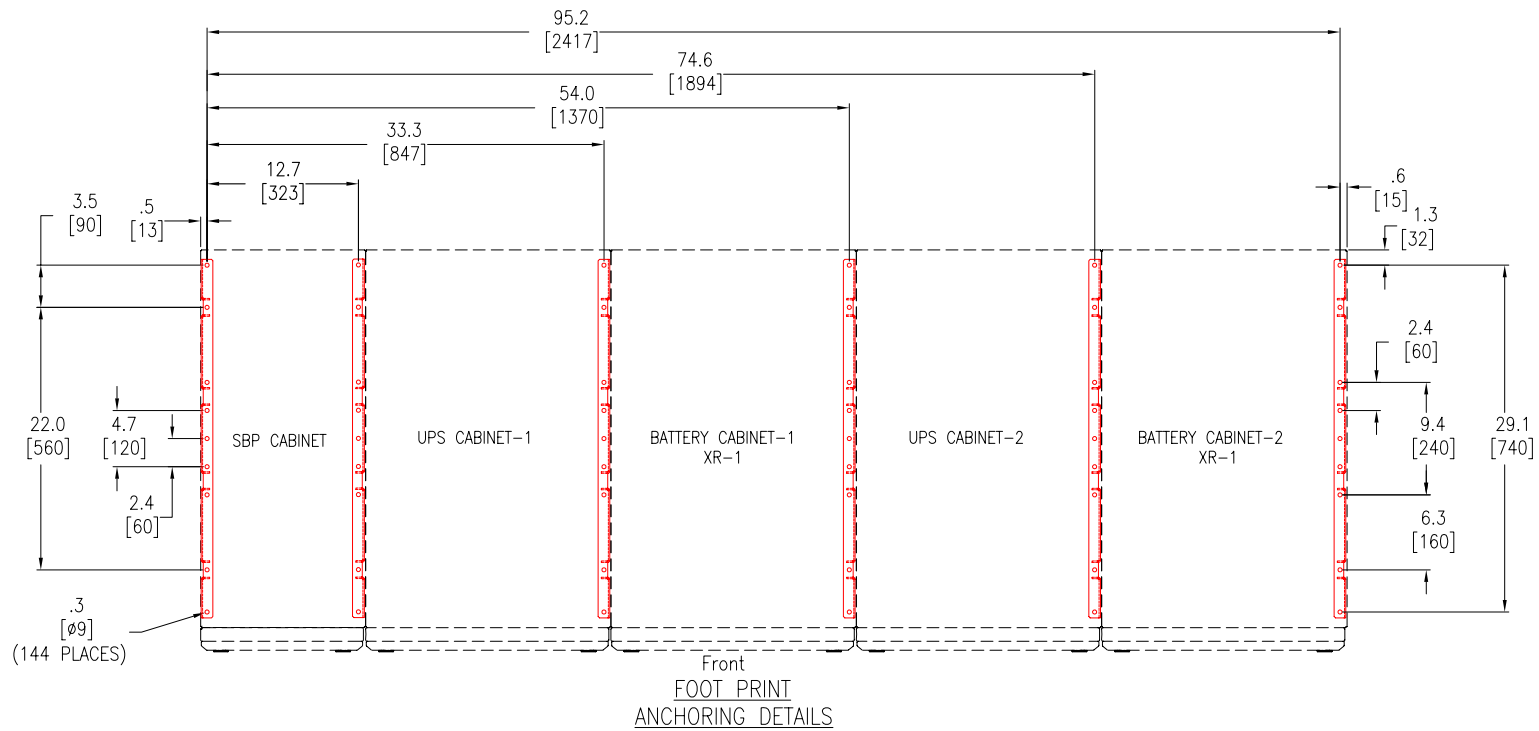
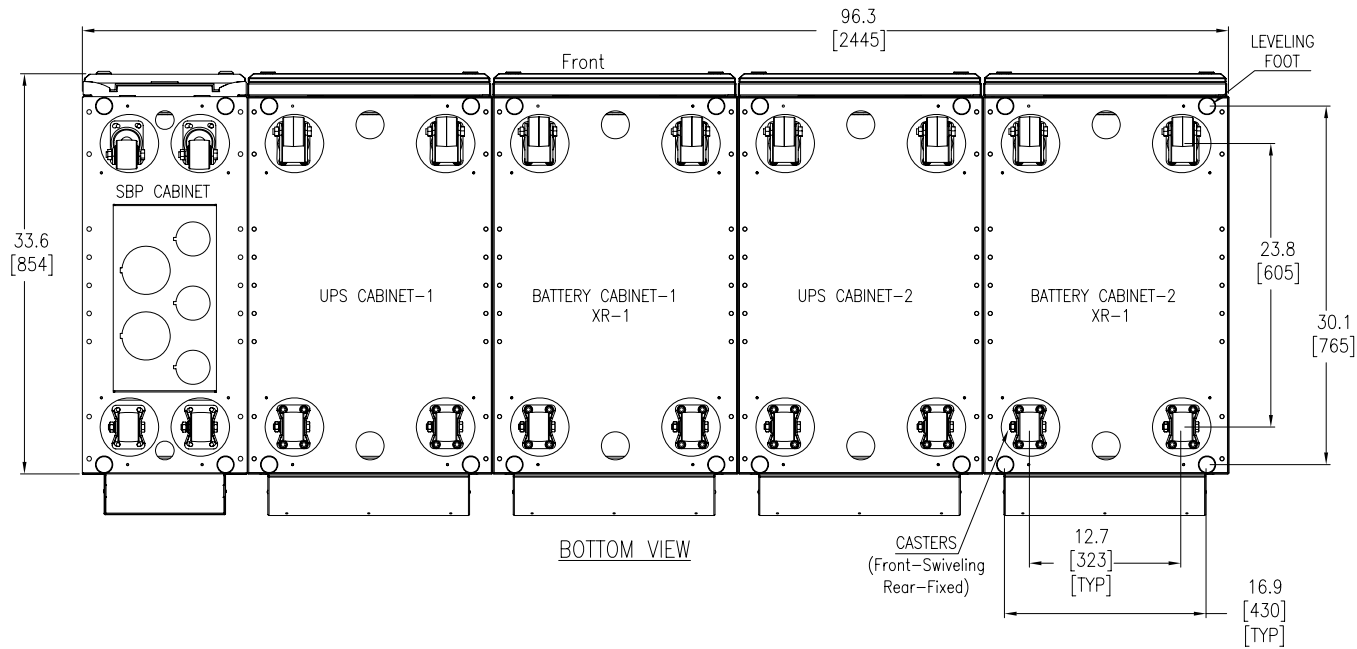
THIS DRAWING AND SPECIFICATIONS HEREIN ARE THE PROPERTY OF SCHNEIDER ELECTRIC AND SHALL NOT BE COPIED, REPRODUCED OR USED IN WHOLE OR IN PART, AS THE BASIS FOR THE MANUFACTURE OR SALE OF ITEMS WITHOUT WRITTEN PERMISSION FROM SCHNEIDER ELECTRIC. THIS DRAWING IS BASED UPON LATEST AVAILABLE INFORMATION AND IS SUBJECT TO CHANGE WITHOUT NOTICE.



TITLE:
 MGE GALAXY 3500
 WIDE TOWER, 10-30KVA, 208V
 2 MODULES WITH 2 XR-BATTERY CABINETS
 GENERAL ARRANGEMENT
 PROJECT: SUBMITTAL DRAWINGS SHEET 1 OF 4

DWG NO: G35T10K30FW2B2SBPAR
 DRAWN BY: JAYAPRAKASH 04-NOV-09
 ENGINEER: F.CENDEJAS 16-NOV-09
 APPROVED BY: B.SHERIDAN 16-NOV-09

REV: 0
 THIRD ANGLE PROJECTION



NOTES:

1. INSTALLATION SHALL COMPLY WITH ALL APPLICABLE NATIONAL, STATE AND LOCAL CODES.
2. PLEASE REFER TO PRODUCT MANUALS FOR ADDITIONAL DETAILS.
3. UNLESS OTHERWISE SPECIFIED, ALL DIMENSIONS ARE IN INCHES [MILLIMETERS].

THIS DRAWING AND SPECIFICATIONS HEREIN ARE THE PROPERTY OF SCHNEIDER ELECTRIC AND SHALL NOT BE COPIED, REPRODUCED OR USED IN WHOLE OR IN PART, AS THE BASIS FOR THE MANUFACTURE OR SALE OF ITEMS WITHOUT WRITTEN PERMISSION FROM SCHNEIDER ELECTRIC. THIS DRAWING IS BASED UPON LATEST AVAILABLE INFORMATION AND IS SUBJECT TO CHANGE WITHOUT NOTICE.



TITLE:
MGE GALAXY 3500
WIDE TOWER, 10-30KVA, 208V
2 MODULES WITH 2 XR-BATTERY CABINETS
BOTTOM VIEW & ANCHORING DETAILS

PROJECT: SUBMITTAL DRAWINGS SHEET 2 OF 4

DWG NO: C35T10K30FW2B2SBPAR

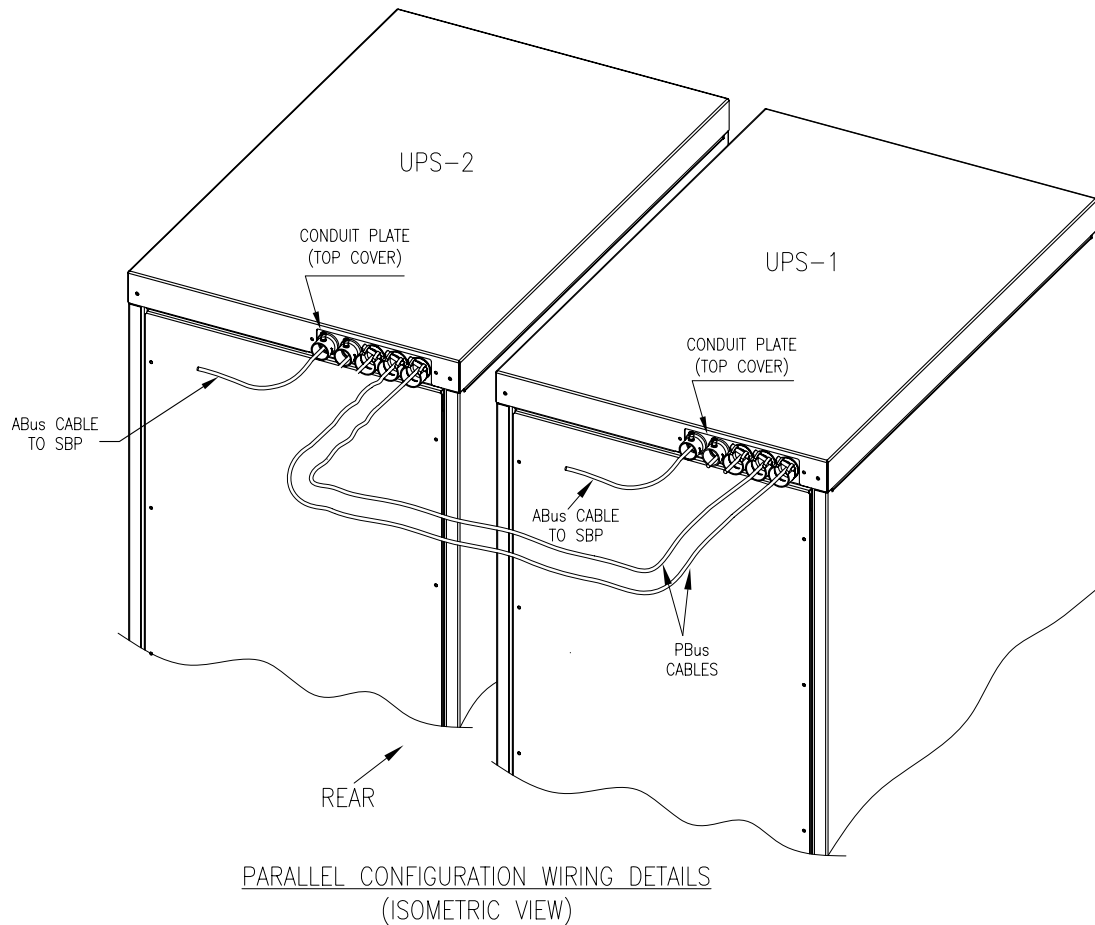
DRAWN BY: JAYAPRAKASH 04-NOV-09

ENGINEER: F.CENDEJAS 16-NOV-09

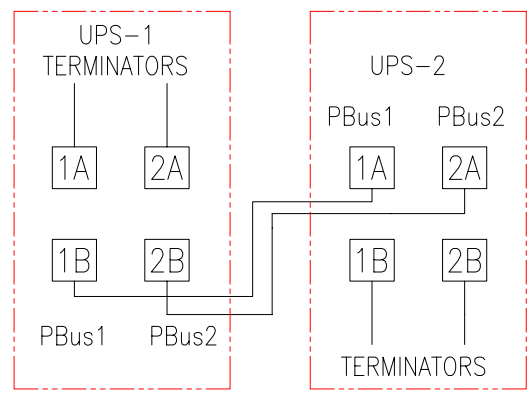
APPROVED BY: B.SHERIDAN 16-NOV-09

REV: 0

THIRD ANGLE PROJECTION



PBus CABLE LAYOUT



- NOTES:
1. INSTALLATION SHALL COMPLY WITH ALL APPLICABLE NATIONAL, STATE AND LOCAL CODES.
 2. PLEASE REFER TO PRODUCT MANUALS FOR ADDITIONAL DETAILS.

THIS DRAWING AND SPECIFICATIONS HEREIN ARE THE PROPERTY OF SCHNEIDER ELECTRIC AND SHALL NOT BE COPIED, REPRODUCED OR USED IN WHOLE OR IN PART, AS THE BASIS FOR THE MANUFACTURE OR SALE OF ITEMS WITHOUT WRITTEN PERMISSION FROM SCHNEIDER ELECTRIC. THIS DRAWING IS BASED UPON LATEST AVAILABLE INFORMATION AND IS SUBJECT TO CHANGE WITHOUT NOTICE.



TITLE:
MGE GALAXY 3500
WIDE TOWER, 10-30KVA, 208V
2 MODULES WITH 2 XR-BATTERY CABINETS
WIRING DETAILS

PROJECT: SUBMITTAL DRAWINGS | SHEET 3 OF 4

DWG NO: C35T10K30FW2B2SBPAR

DRAWN BY: JAYAPRAKASH 04-NOV-09

ENGINEER: F.CENDEJAS 16-NOV-09

APPROVED BY: B.SHERIDAN 16-NOV-09

REV. 0

THIRD ANGLE PROJECTION

Weight and Runtime details for 2 module UPS (10-30kVA) with XR Battery Cabinets & SBP

Battery position	No. of bat shelves	G35T10KF1BAS				G35T10KF2BAS				G35T10KF3BAS				G35T10KF4BAS				G35T15KF2BAS				G35T15KF3BAS				G35T15KF4BAS				G35T20KF2BAS				G35T20KF3BAS				G35T20KF4BAS				G35T30KF3BAS				G35T30KF4BAS			
		Net Weight of Solution	Runtime in Min	Net Weight of Solution	Runtime in Min	Net Weight of Solution	Runtime in Min	Net Weight of Solution	Runtime in Min	Net Weight of Solution	Runtime in Min	Net Weight of Solution	Runtime in Min	Net Weight of Solution	Runtime in Min	Net Weight of Solution	Runtime in Min	Net Weight of Solution	Runtime in Min	Net Weight of Solution	Runtime in Min	Net Weight of Solution	Runtime in Min	Net Weight of Solution	Runtime in Min	Net Weight of Solution	Runtime in Min	Net Weight of Solution	Runtime in Min	Net Weight of Solution	Runtime in Min	Net Weight of Solution	Runtime in Min	Net Weight of Solution	Runtime in Min														
		in lbs	in kg	in lbs	in kg	in lbs	in kg	in lbs	in kg	in lbs	in kg	in lbs	in kg	in lbs	in kg	in lbs	in kg	in lbs	in kg	in lbs	in kg	in lbs	in kg	in lbs	in kg	in lbs	in kg	in lbs	in kg	in lbs	in kg	in lbs	in kg	in lbs	in kg														
UPS	1	1740	790	6	n.a	n.a	n.a	n.a	n.a	n.a	n.a	n.a	n.a	n.a	n.a	n.a	n.a	n.a	n.a	n.a	n.a	n.a	n.a	n.a	n.a	n.a	n.a	n.a	n.a	n.a	n.a	n.a	n.a	n.a	n.a														
UPS	2	2145	974	18	2145	974	18	n.a	n.a	n.a	n.a	n.a	n.a	2145	974	10	n.a	n.a	n.a	n.a	n.a	n.a	n.a	2337	1061	6	n.a	n.a	n.a	n.a	n.a	n.a	n.a	n.a	n.a														
UPS	3	2551	1158	32	2551	1158	32	2551	1158	32	n.a	n.a	n.a	2551	1158	18	2551	1158	18	n.a	n.a	n.a	n.a	2742	1245	12	2742	1245	12	n.a	n.a	n.a	2742	1245	6	n.a	n.a												
UPS	4	2956	1342	47	2956	1342	47	2956	1342	47	2956	1342	47	2956	1342	27	2956	1342	27	2956	1342	27	2956	1342	27	3148	1429	18	3148	1429	18	3148	1429	10	3148	1429	10												
XR1	5	4242	1926	62	4242	1926	62	4242	1926	62	4242	1926	62	4242	1926	37	4242	1926	37	4242	1926	37	4242	1926	37	4434	2013	25	4434	2013	25	4434	2013	14	4434	2013	14												
XR1	6	4665	2118	78	4665	2118	78	4665	2118	78	4665	2118	78	4665	2118	47	4665	2118	47	4665	2118	47	4665	2118	47	4857	2205	32	4857	2205	32	4857	2205	18	4857	2205	18												
XR1	7	5088	2310	95	5088	2310	95	5088	2310	95	5088	2310	95	5088	2310	57	5088	2310	57	5088	2310	57	5280	2397	40	5280	2397	40	5280	2397	40	5280	2397	23	5280	2397	23												
XR1	8	5511	2502	112	5511	2502	112	5511	2502	112	5511	2502	112	5511	2502	68	5511	2502	68	5511	2502	68	5703	2589	47	5703	2589	47	5703	2589	47	5703	2589	28	5703	2589	28												
XR1	9	5934	2694	130	5934	2694	130	5934	2694	130	5934	2694	130	5934	2694	79	5934	2694	79	5934	2694	79	6126	2781	55	6126	2781	55	6126	2781	55	6126	2781	32	6126	2781	32												
XR1	10	6357	2886	148	6357	2886	148	6357	2886	148	6357	2886	148	6357	2886	90	6357	2886	90	6357	2886	90	6548	2973	63	6548	2973	63	6548	2973	63	6548	2973	37	6548	2973	37												
XR2	11	7643	3470	166	7643	3470	166	7643	3470	166	7643	3470	166	7643	3470	101	7643	3470	101	7643	3470	101	7835	3557	71	7835	3557	71	7835	3557	71	7835	3557	42	7835	3557	42												
XR2	12	8066	3662	185	8066	3662	185	8066	3662	185	8066	3662	185	8066	3662	113	8066	3662	113	8066	3662	113	8258	3749	79	8258	3749	79	8258	3749	79	8258	3749	47	8258	3749	47												
XR2	13	8489	3854	204	8489	3854	204	8489	3854	204	8489	3854	204	8489	3854	124	8489	3854	124	8489	3854	124	8681	3941	87	8681	3941	87	8681	3941	87	8681	3941	52	8681	3941	52												
XR2	14	8912	4046	223	8912	4046	223	8912	4046	223	8912	4046	223	8912	4046	136	8912	4046	136	8912	4046	136	9104	4133	96	9104	4133	96	9104	4133	96	9104	4133	58	9104	4133	58												
XR2	15	9335	4238	243	9335	4238	243	9335	4238	243	9335	4238	243	9335	4238	148	9335	4238	148	9335	4238	148	9526	4325	105	9526	4325	105	9526	4325	105	9526	4325	63	9526	4325	63												
XR2	16	9758	4430	262	9758	4430	262	9758	4430	262	9758	4430	262	9758	4430	161	9758	4430	161	9758	4430	161	9949	4517	113	9949	4517	113	9949	4517	113	9949	4517	68	9949	4517	68												
XR3	17	11044	5014	282	11044	5014	282	11044	5014	282	11044	5014	282	11044	5014	173	11044	5014	173	11044	5014	173	11236	5101	122	11236	5101	122	11236	5101	122	11236	5101	74	11236	5101	74												
XR3	18	11467	5206	303	11467	5206	303	11467	5206	303	11467	5206	303	11467	5206	185	11467	5206	185	11467	5206	185	11659	5293	131	11659	5293	131	11659	5293	131	11659	5293	79	11659	5293	79												
XR3	19	11890	5398	323	11890	5398	323	11890	5398	323	11890	5398	323	11890	5398	198	11890	5398	198	11890	5398	198	12081	5485	140	12081	5485	140	12081	5485	140	12081	5485	85	12081	5485	85												
XR3	20	12313	5590	344	12313	5590	344	12313	5590	344	12313	5590	344	12313	5590	211	12313	5590	211	12313	5590	211	12504	5677	149	12504	5677	149	12504	5677	149	12504	5677	90	12504	5677	90												
XR3	21	12736	5782	365	12736	5782	365	12736	5782	365	12736	5782	365	12736	5782	224	12736	5782	224	12736	5782	224	12927	5869	158	12927	5869	158	12927	5869	158	12927	5869	96	12927	5869	96												
XR3	22	13159	5974	386	13159	5974	386	13159	5974	386	13159	5974	386	13159	5974	237	13159	5974	237	13159	5974	237	13350	6061	168	13350	6061	168	13350	6061	168	13350	6061	102	13350	6061	102												
XR4	23	14445	6558	408	14445	6558	408	14445	6558	408	14445	6558	408	14445	6558	250	14445	6558	250	14445	6558	250	14637	6645	177	14637	6645	177	14637	6645	177	14637	6645	107	14637	6645	107												
XR4	24	14868	6750	429	14868	6750	429	14868	6750	429	14868	6750	429	14868	6750	263	14868	6750	263	14868	6750	263	15059	6837	187	15059	6837	187	15059	6837	187	15059	6837	113	15059	6837	113												
XR4	25	15291	6942	451	15291	6942	451	15291	6942	451	15291	6942	451	15291	6942	277	15291	6942	277	15291	6942	277	15482	7029	196	15482	7029	196	15482	7029	196	15482	7029	119	15482	7029	119												
XR4	26	15714	7134	473	15714	7134	473	15714	7134	473	15714	7134	473	15714	7134	290	15714	7134	290	15714	7134	290	15905	7221	206	15905	7221	206	15905	7221	206	15905	7221	125	15905	7221	125												
XR4	27	16137	7326	495	16137	7326	495	16137	7326	495	16137	7326	495	16137	7326	304	16137	7326	304	16137	7326	304	16328	7413	215	16328	7413	215	16328	7413	215	16328	7413	131	16328	7413	131												
XR4	28	16559	7518	517	16559	7518	517	16559	7518	517	16559	7518	517	16559	7518	318	16559	7518	318	16559	7518	318	16751	7605	225	16751	7605	225	16751	7605	225	16751	7605	137	16751	7605	137												

△

NOTES:
 1. INSTALLATION SHALL COMPLY WITH ALL APPLICABLE NATIONAL, STATE AND LOCAL CODES.
 2. PLEASE REFER TO PRODUCT MANUALS FOR ADDITIONAL DETAILS.
 3. CONFIGURATION REPRESENTED IN THIS DRAWING.

THIS DRAWING AND SPECIFICATIONS HEREIN ARE THE PROPERTY OF SCHNEIDER ELECTRIC AND SHALL NOT BE COPIED, REPRODUCED OR USED IN WHOLE OR IN PART, AS THE BASIS FOR THE MANUFACTURE OR SALE OF ITEMS WITHOUT WRITTEN PERMISSION FROM SCHNEIDER ELECTRIC. THIS DRAWING IS BASED UPON LATEST AVAILABLE INFORMATION AND IS SUBJECT TO CHANGE WITHOUT NOTICE.



TITLE:	MGE GALAXY 3500 WIDE TOWER, 10-30KVA, 208V 2 MODULES WITH 2 XR-BATTERY CABINETS WEIGHT & RUNTIME DETAILS	DWG NO:	G35T10K30FW2B2SBPAR	REV:	0
PROJECT:	SUBMITTAL DRAWINGS	SHEET	4 OF 4	APPROVED BY:	B.SHERIDAN
				DATE:	16-NOV-09
				DATE:	16-NOV-09
				DATE:	16-NOV-09

THIRD ANGLE PROJECTION